

6

5

4

3

2

1

D

D

C

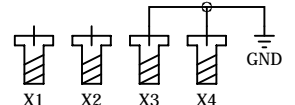
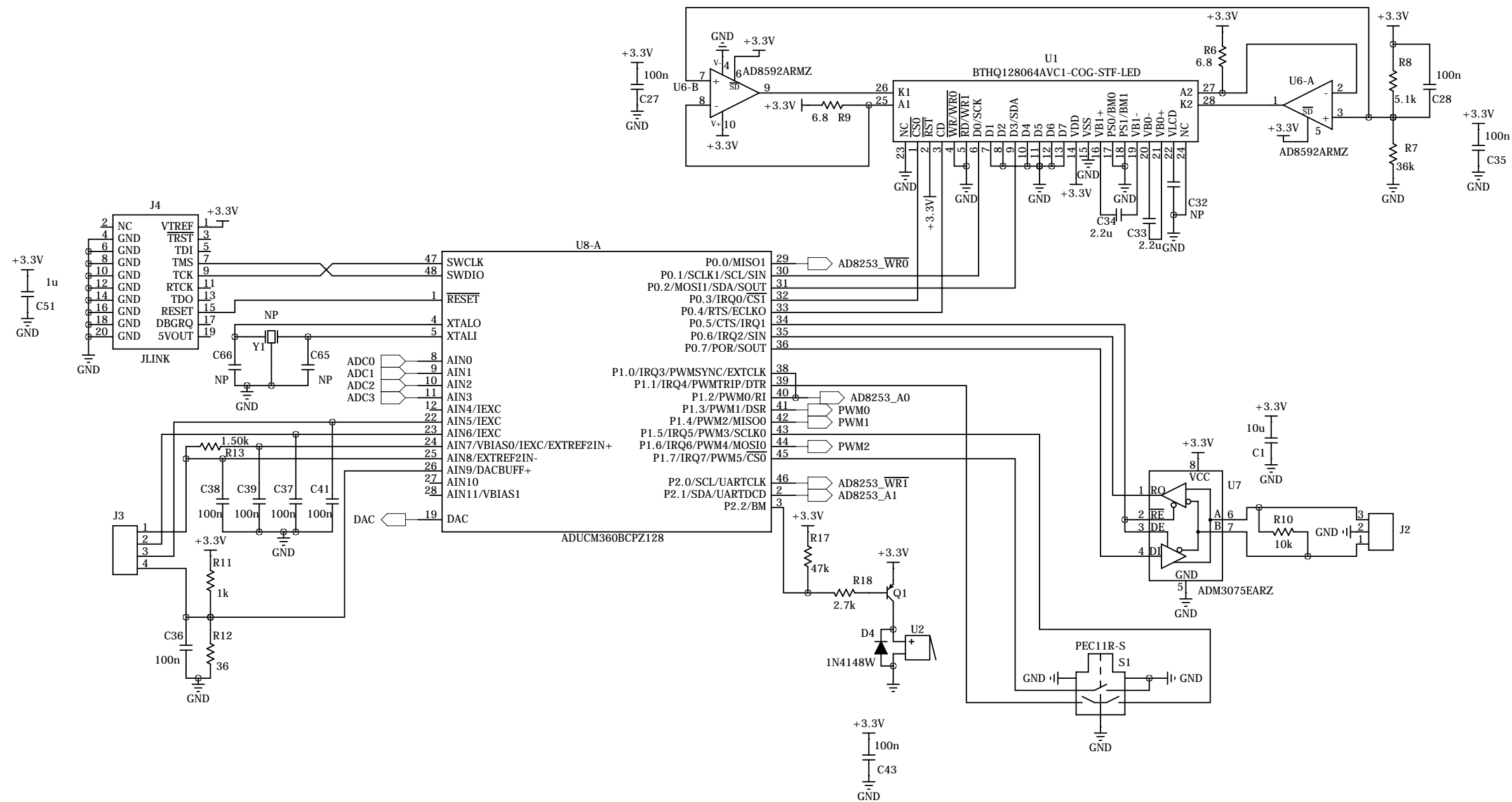
C

B

B

A

A



COMPANY: Analog Devices, Inc.

PROJECT TITLE: CN0359

DRAWN: Robert Lee	DATED: 10/5/2016	SIZE: B	SCHEMATIC TITLE: MAIN	REV: A
RELEASED: Robert Lee	DATED: 2014-11-01	SCALE: 1	SHEET: 1 OF 3	

6

5

4

3

2

1

D

D

C

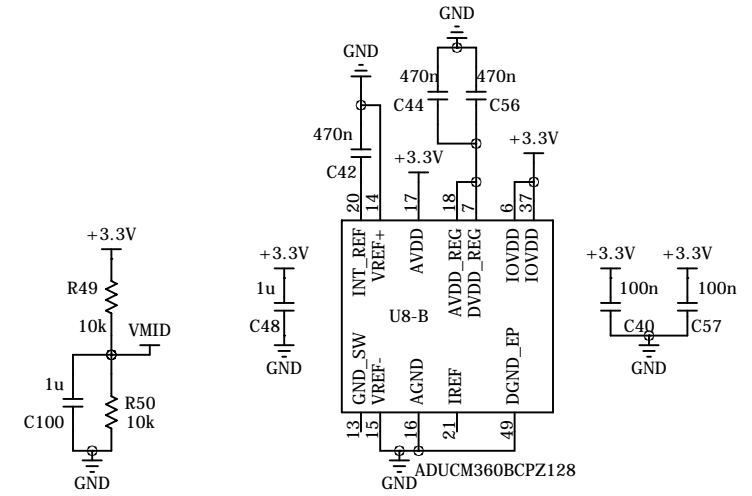
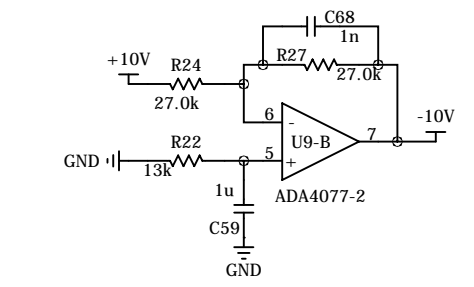
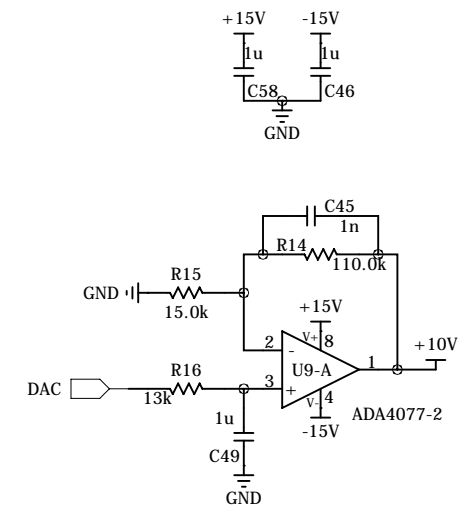
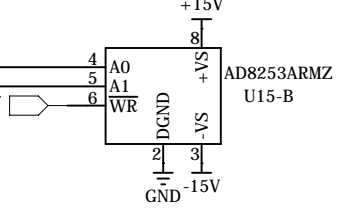
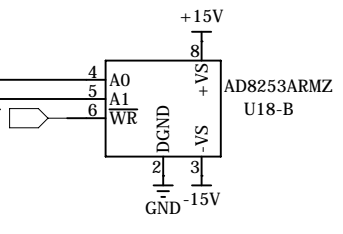
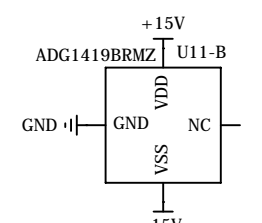
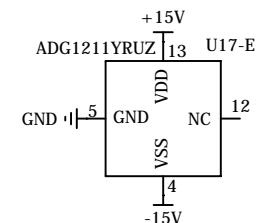
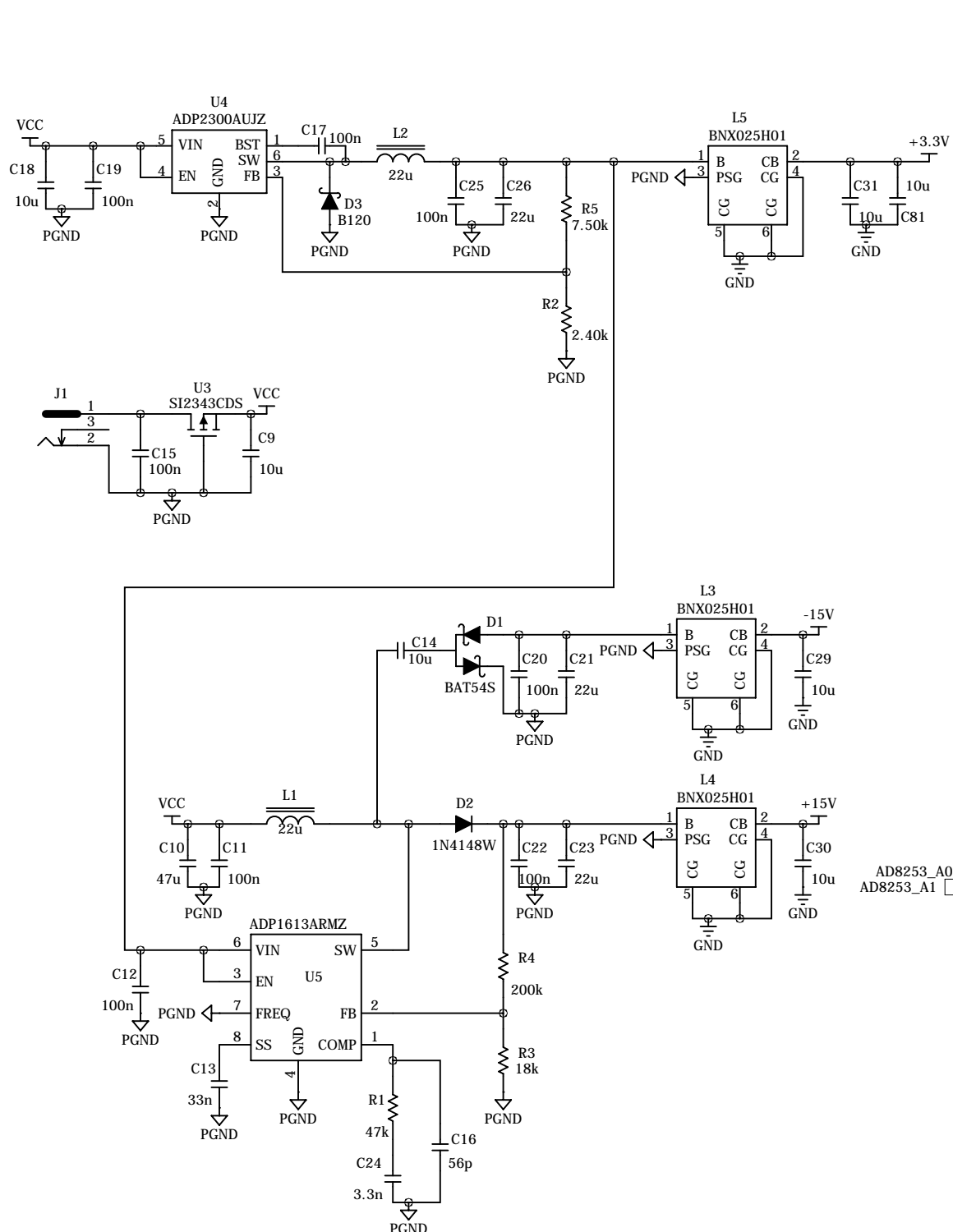
C

B

B

A

A



COMPANY: **Analog Devices, Inc.**

PROJECT TITLE: **CN0359**

DRAWN: Robert Lee	DATED: 10/5/2016	SIZE: B	SCHEMATIC TITLE: POWER	REV: A
RELEASED: Robert Lee	DATED: 2014-11-01	SCALE: 1	SHEET: 2 OF 3	

6 5 4 3 2 1

D

D

C

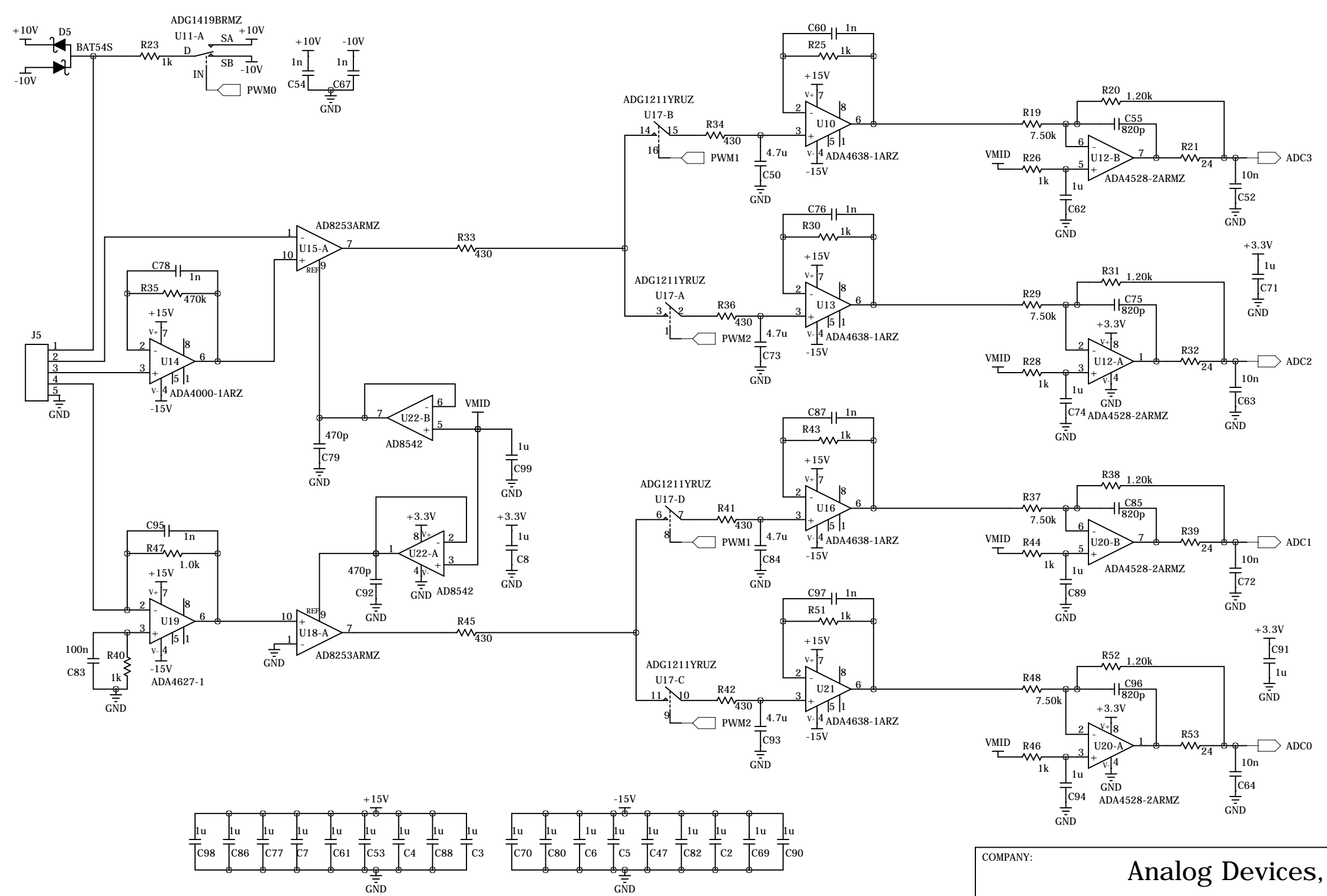
C

B

B

A

A



COMPANY: Analog Devices, Inc.

PROJECT TITLE: CN0359

DRAWN: Robert Lee	DATED: 10/5/2016	SIZE: B	SCHEMATIC TITLE: ANALOG	REV: A
RELEASED: Robert Lee	DATED: 2014-11-01	SCALE: 1	SHEET: 3 OF 3	