

6

5

4

3

2

1

D

D

C

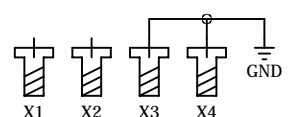
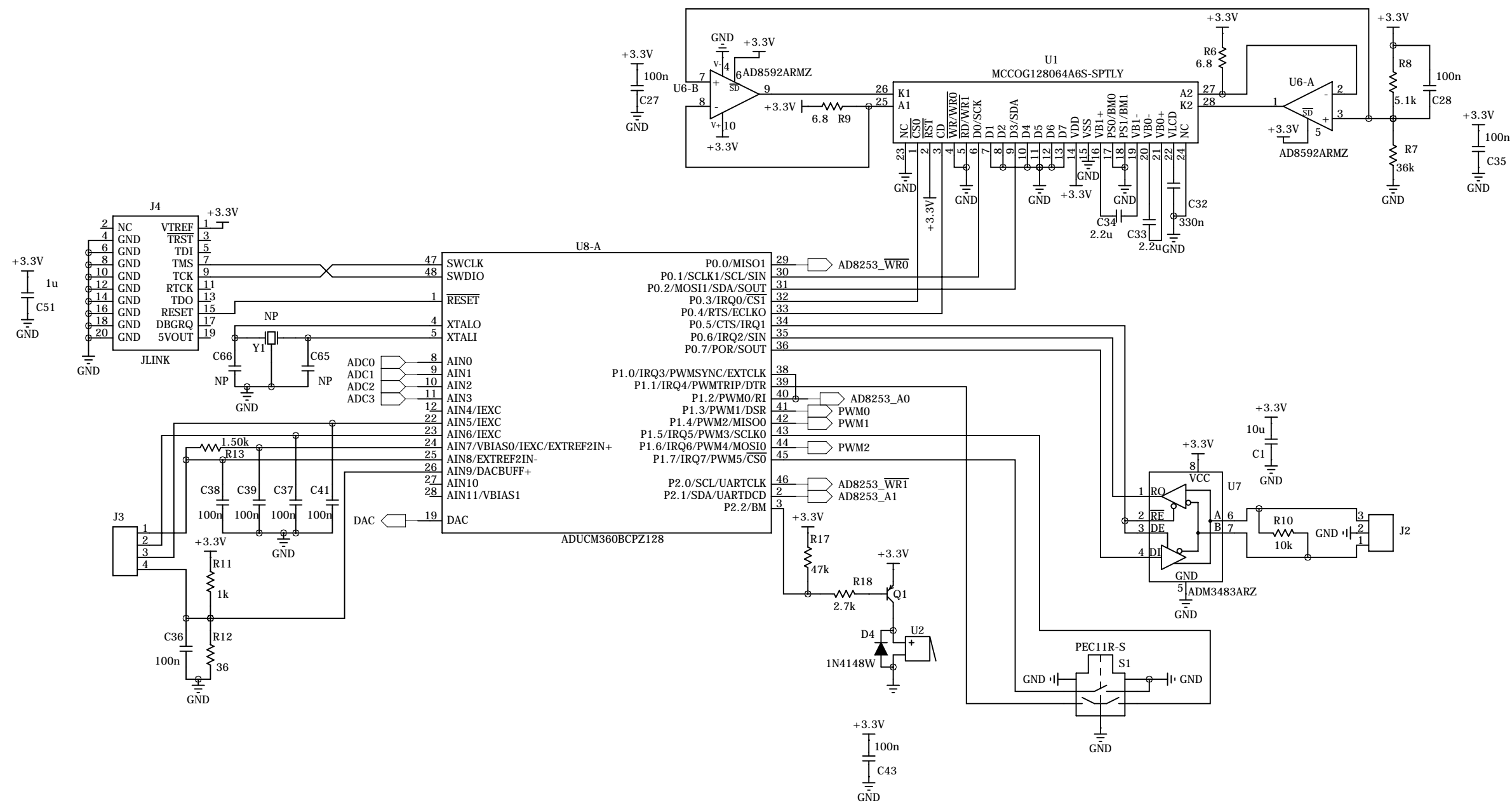
C

B

B

A

A



COMPANY:		Analog Devices, Inc.		
PROJECT TITLE:		CN0359		
DRAWN:	DATED:	SIZE:	SCHEMATIC TITLE:	REV:
Robert Lee	2014-10-31	B	MAIN	A
RELEASED:	DATED:	SCALE:	SHEET: 1 OF 3	
Robert Lee	2014-11-01	1		

6

5

4

3

2

1

D

D

C

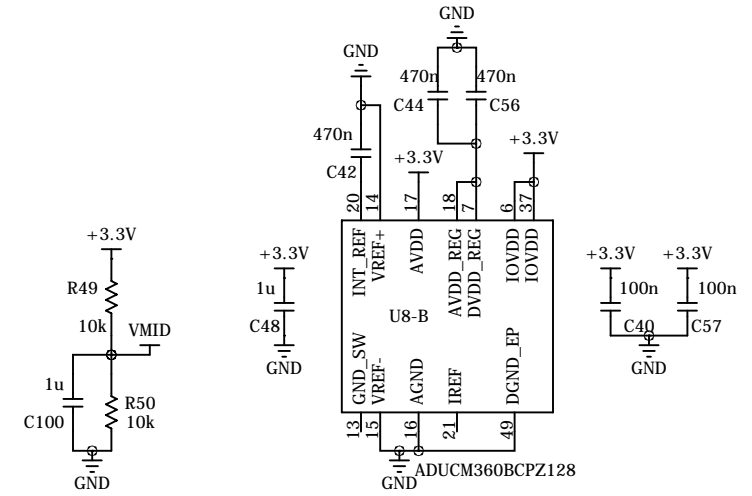
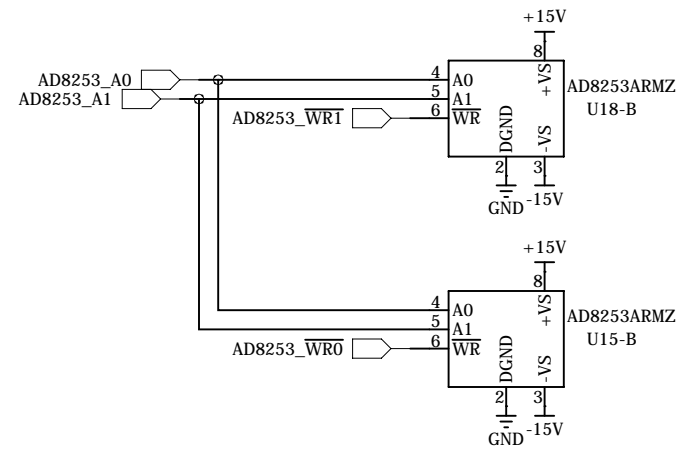
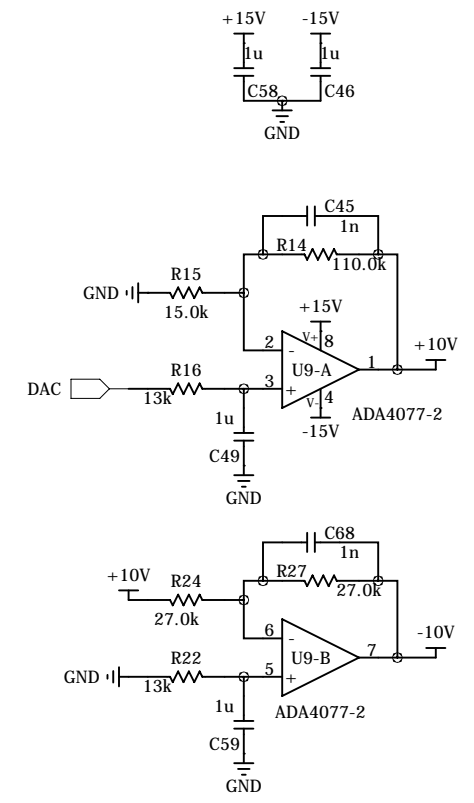
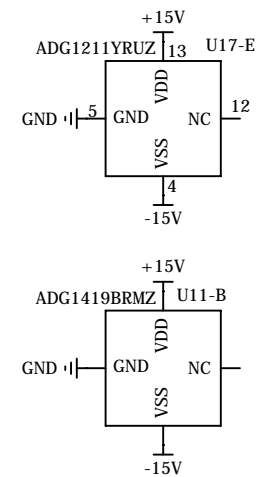
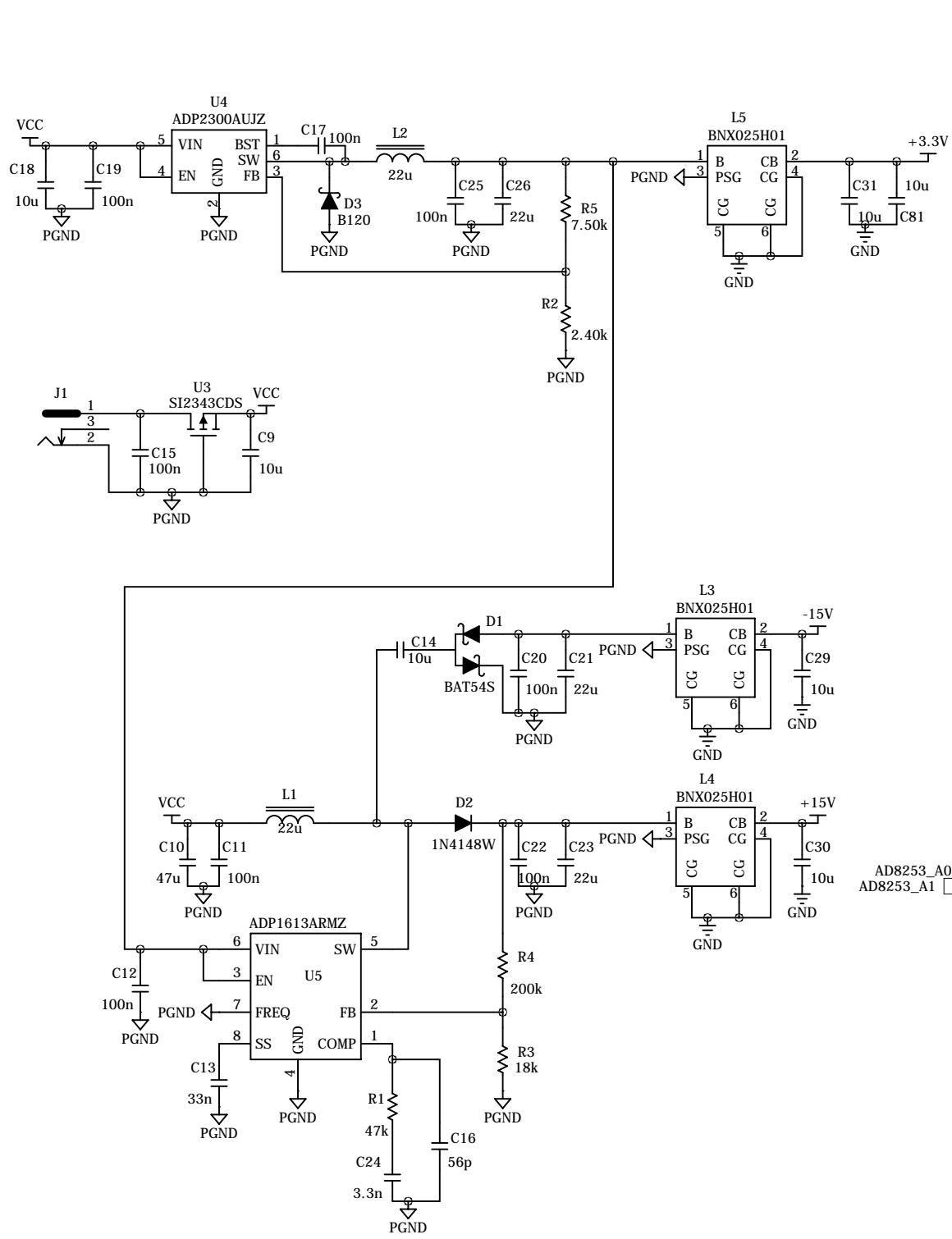
C

B

B

A

A



COMPANY: **Analog Devices, Inc.**

PROJECT TITLE: **CN0359**

DRAWN: Robert Lee	DATED: 2014-10-31	SIZE: B	SCHEMATIC TITLE: POWER	REV: A
RELEASED: Robert Lee	DATED: 2014-11-01	SCALE: 1	SHEET: 2 OF 3	

6 5 4 3 2 1

D

D

C

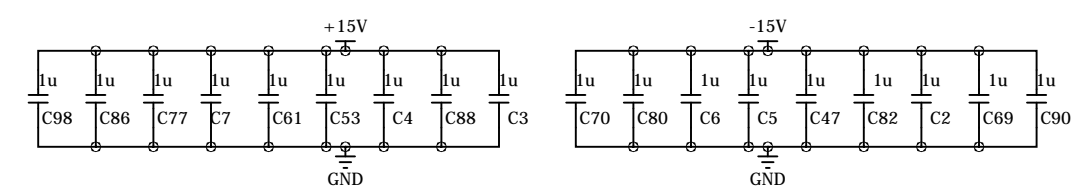
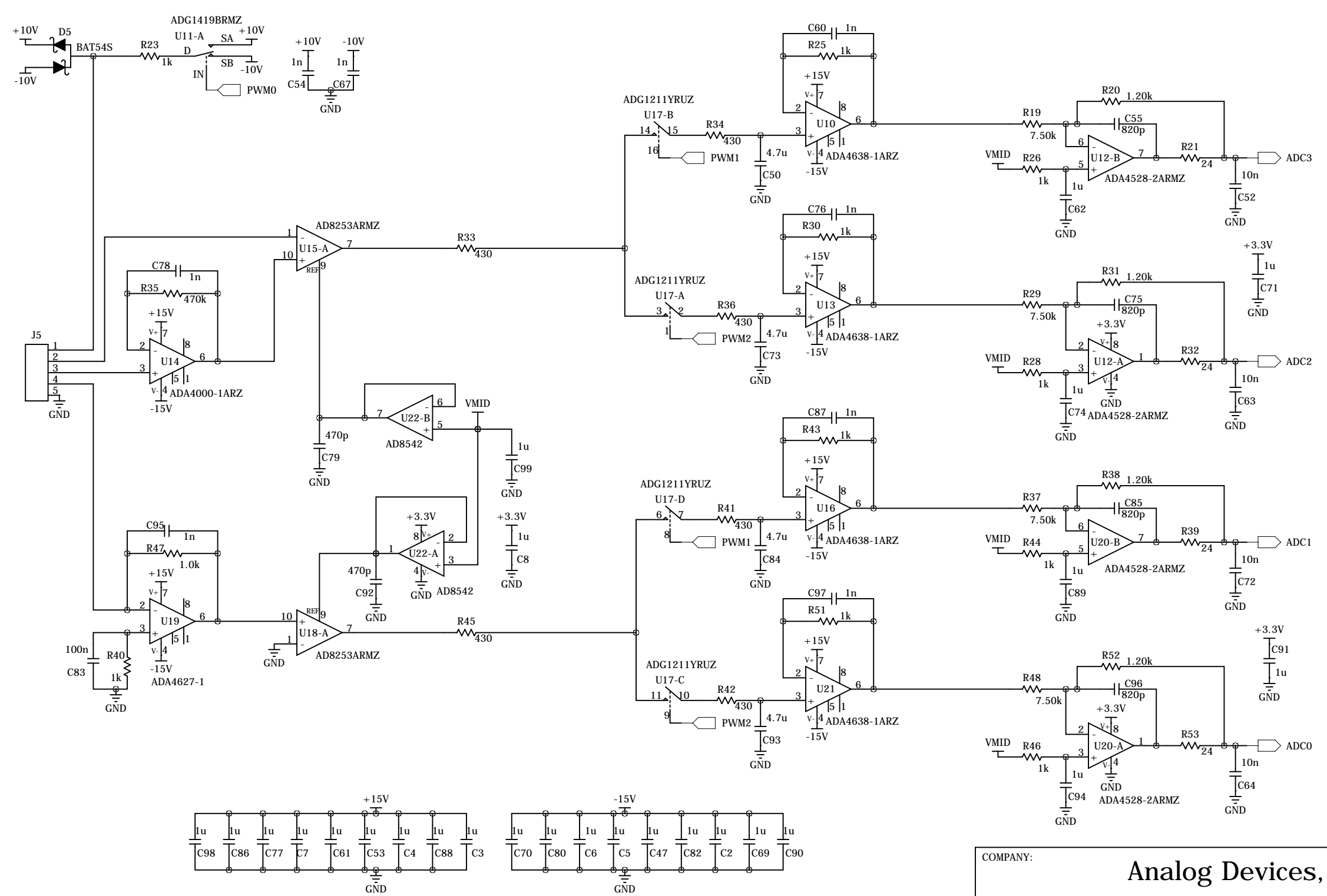
C

B

B

A

A



COMPANY:		Analog Devices, Inc.		
PROJECT TITLE:		CN0359		
DRAWN:	DATED:	SIZE:	SCHEMATIC TITLE:	REV:
Robert Lee	2014-10-31	B	ANALOG	A
RELEASED:	DATED:	SCALE:	SHEET:	OF
Robert Lee	2014-11-01	1	3	3