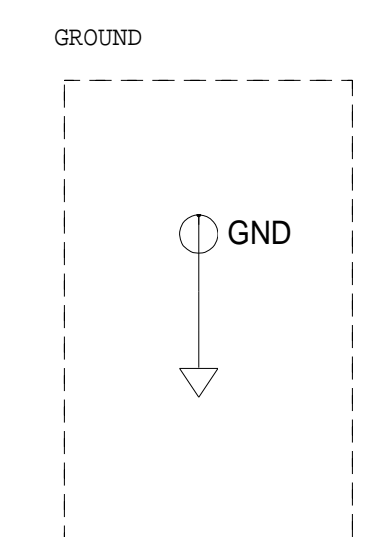
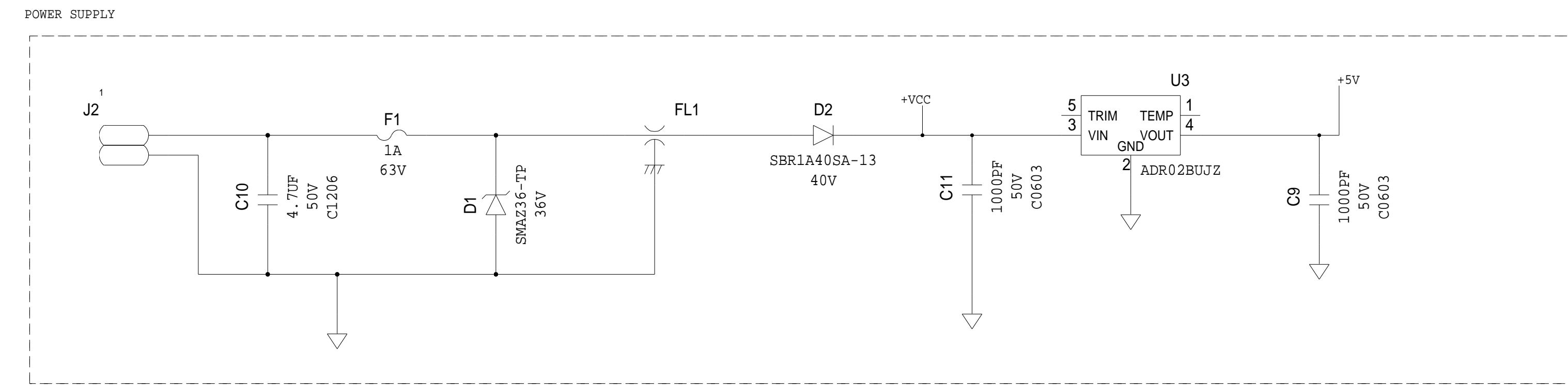
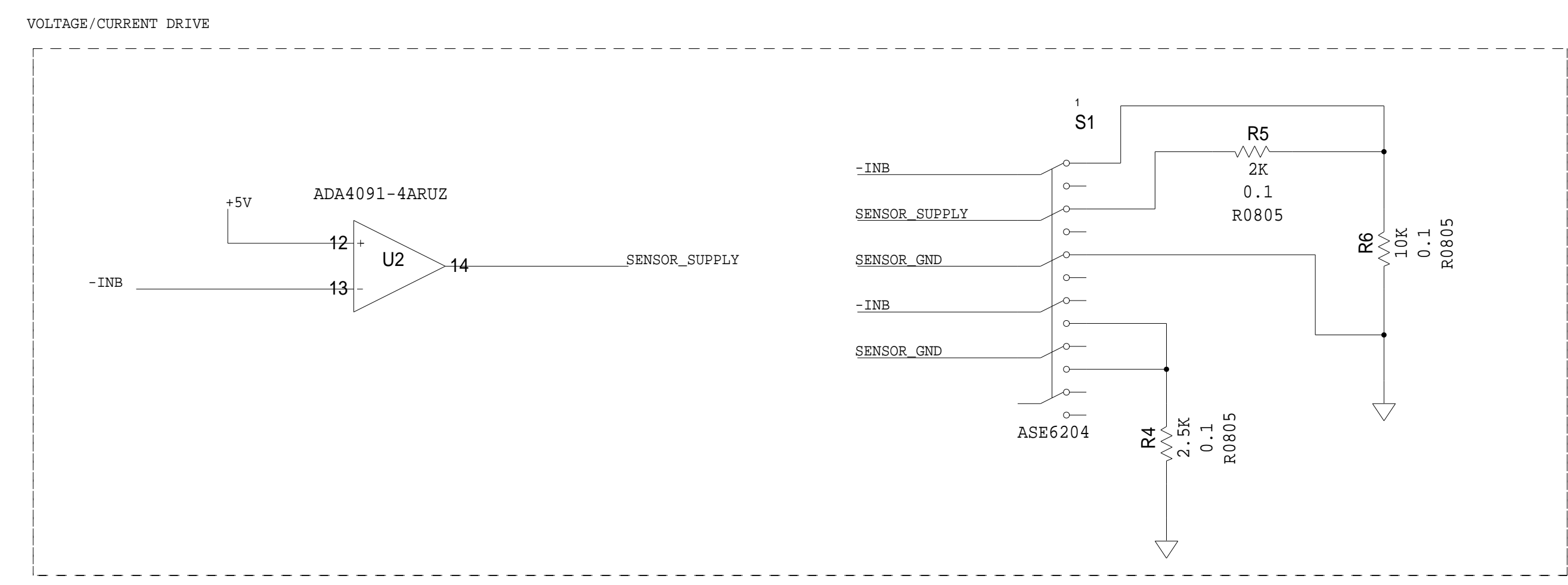
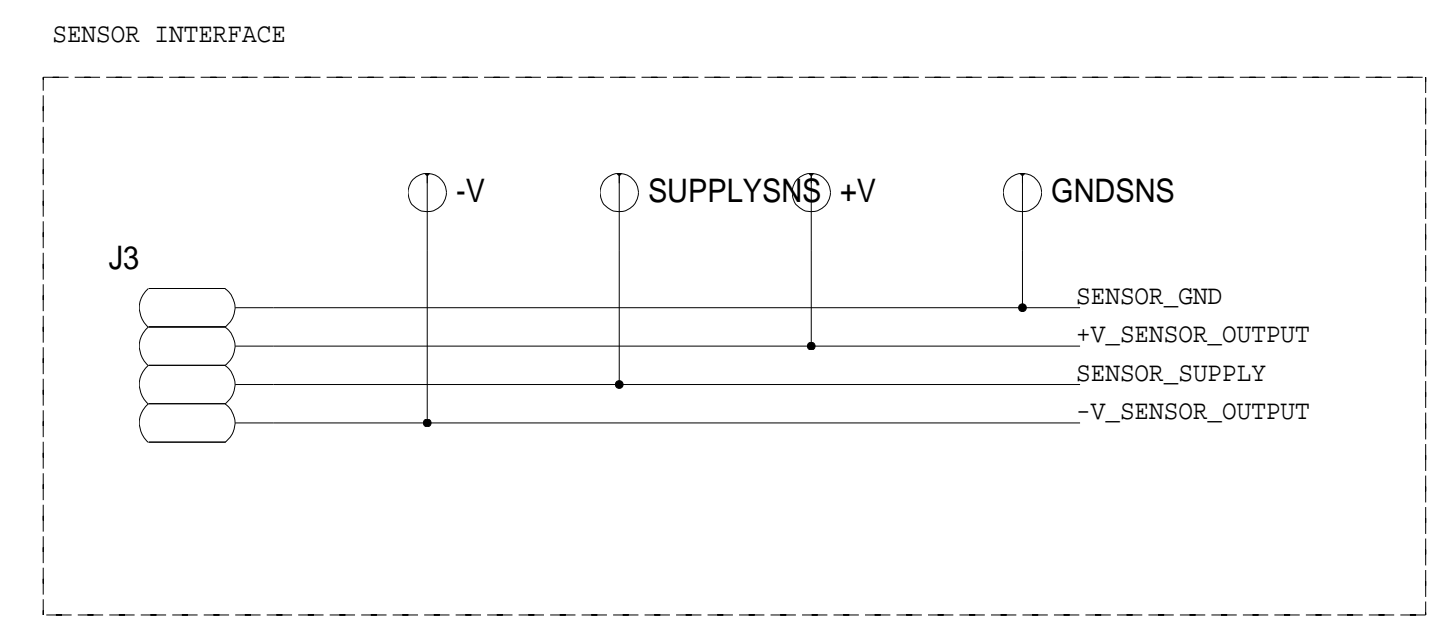
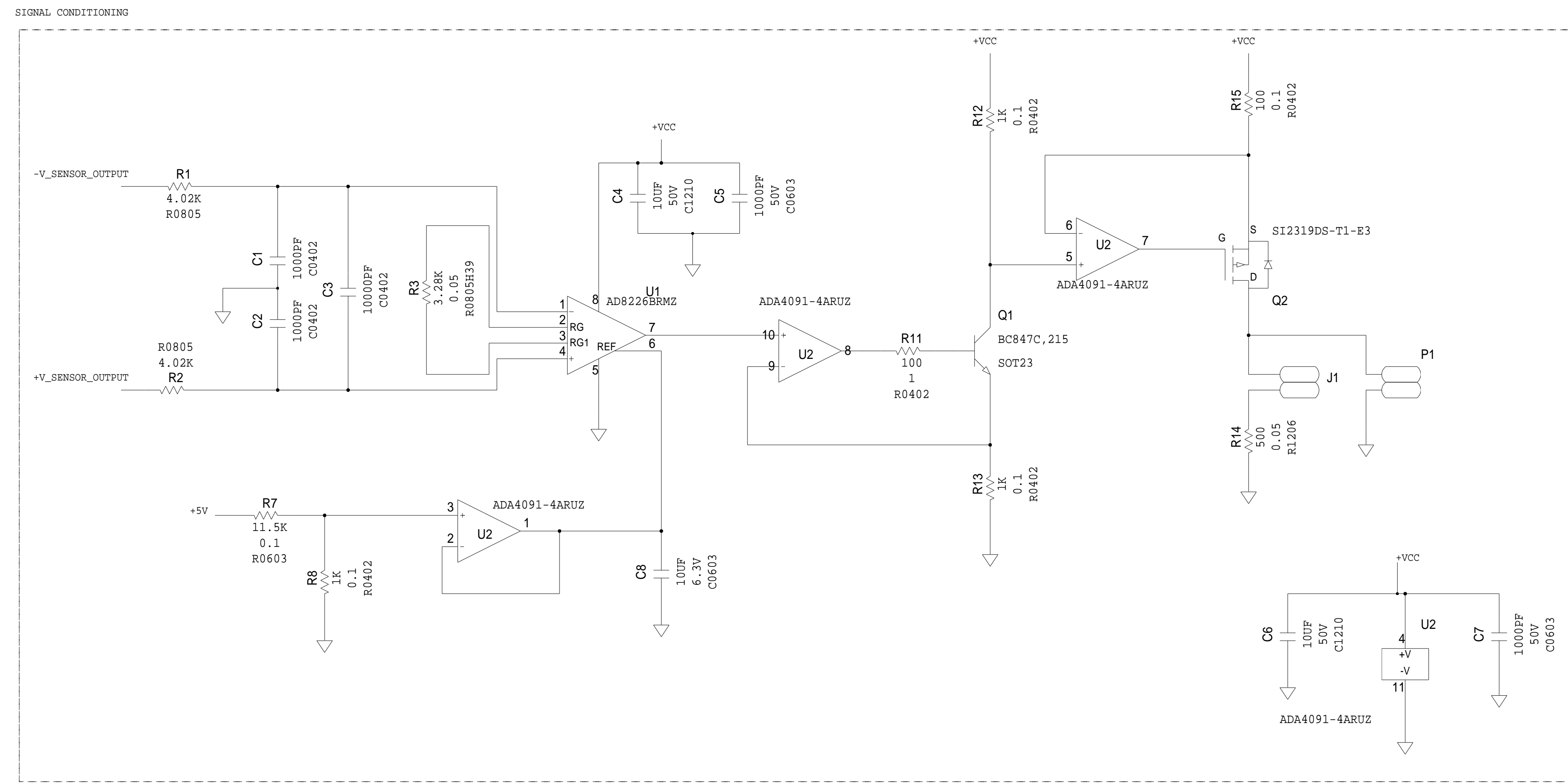


REVISIONS			
REV	DESCRIPTION	DATE	APPROVED



	SCHEMATIC		
	HW TYPE : CUSTOMER EVALUATION BOARD Product(s) : AD8226 : ADA4091		
DESIGN VIEW <DESIGN_VIEW>	DRAWING NO. 02-035544	REV A	
PTD ENGINEER E. REYTA	SIZE D 1:1	SCALE 1:1	SHEET 2 OF 2