

6

5

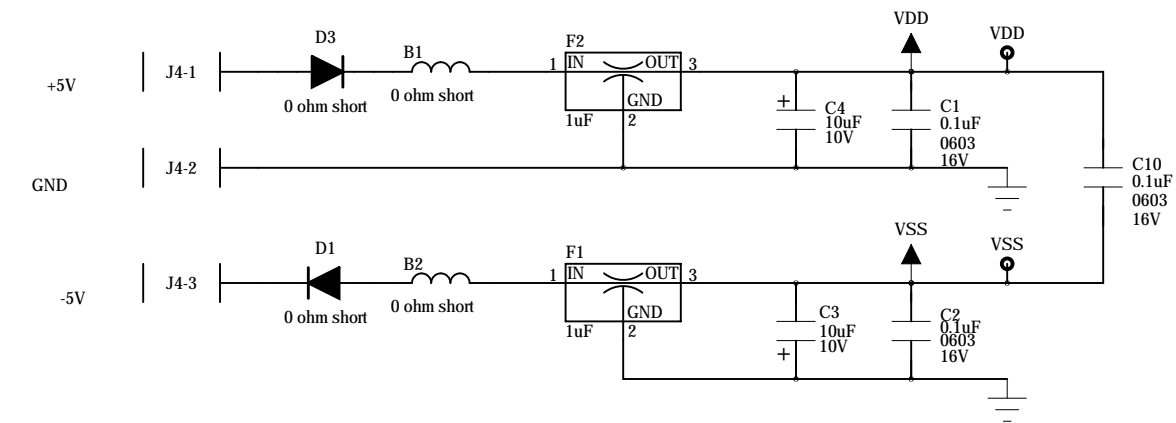
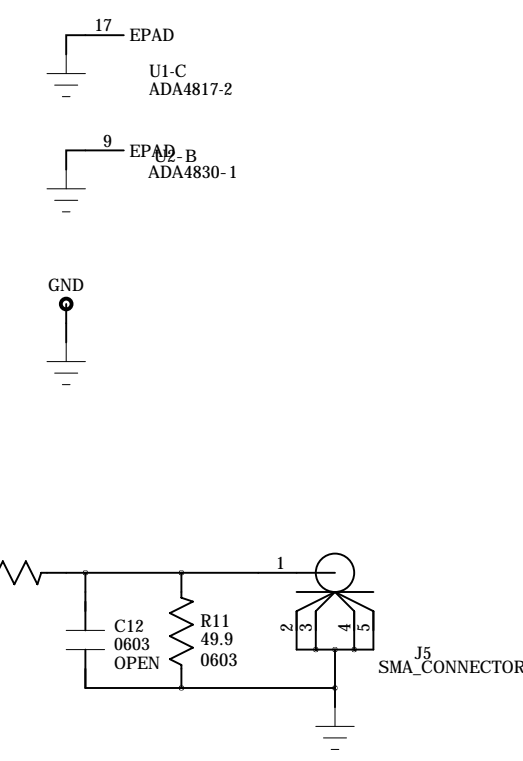
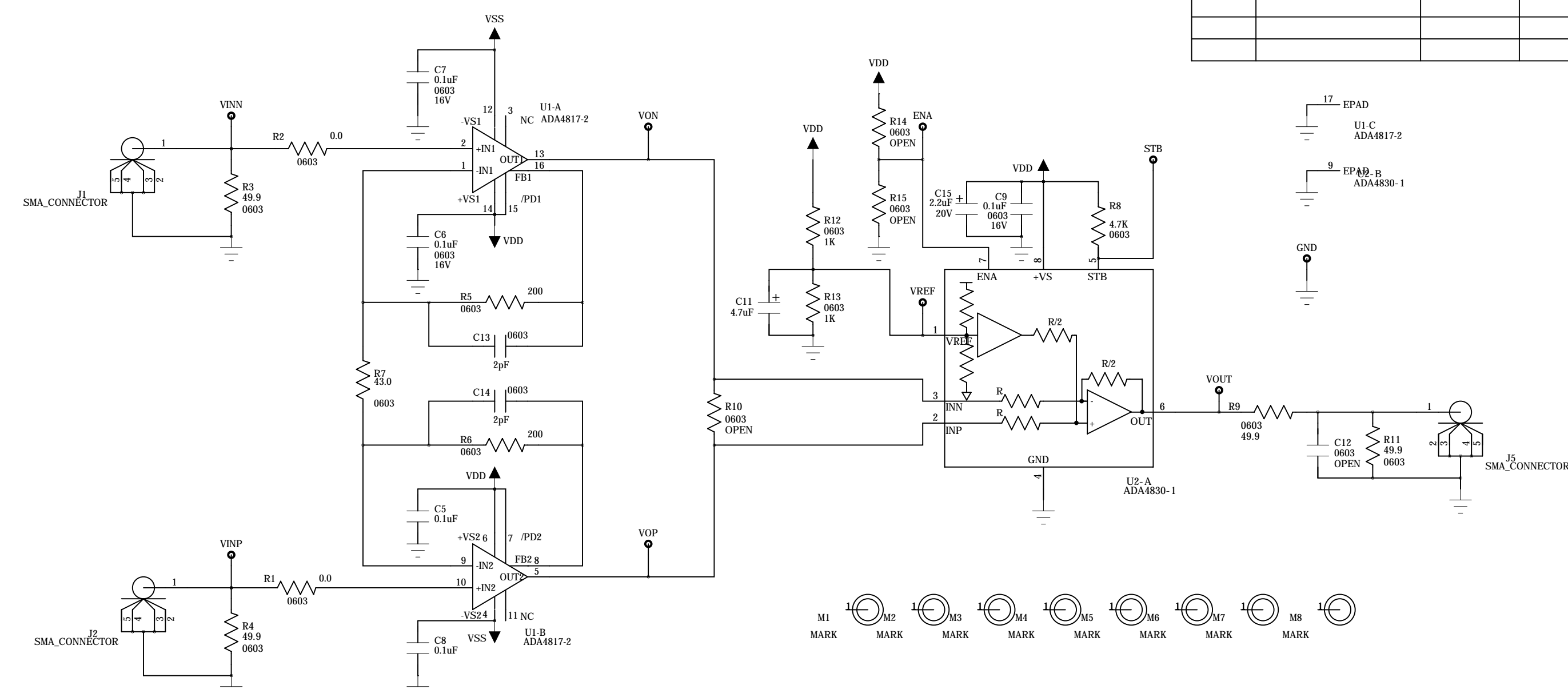
4

3

2

1

REVISION RECORD			
LTR	ECO NO:	APPROVED:	DATE:



DRAWN: Michael Hu	DATED:
CHECKED:	DATED:
QUALITY CONTROL:	DATED:
RELEASED: James Fitzgerald	DATED: 06/19/2013

COMPANY: Analog Devices, Inc.			
TITLE: EVAL-CN0273-EB1Z			
CODE: CN0273	SIZE: B	DRAWING NO:	REV: A
SCALE: 1:1			SHEET 1 of 1