

6

5

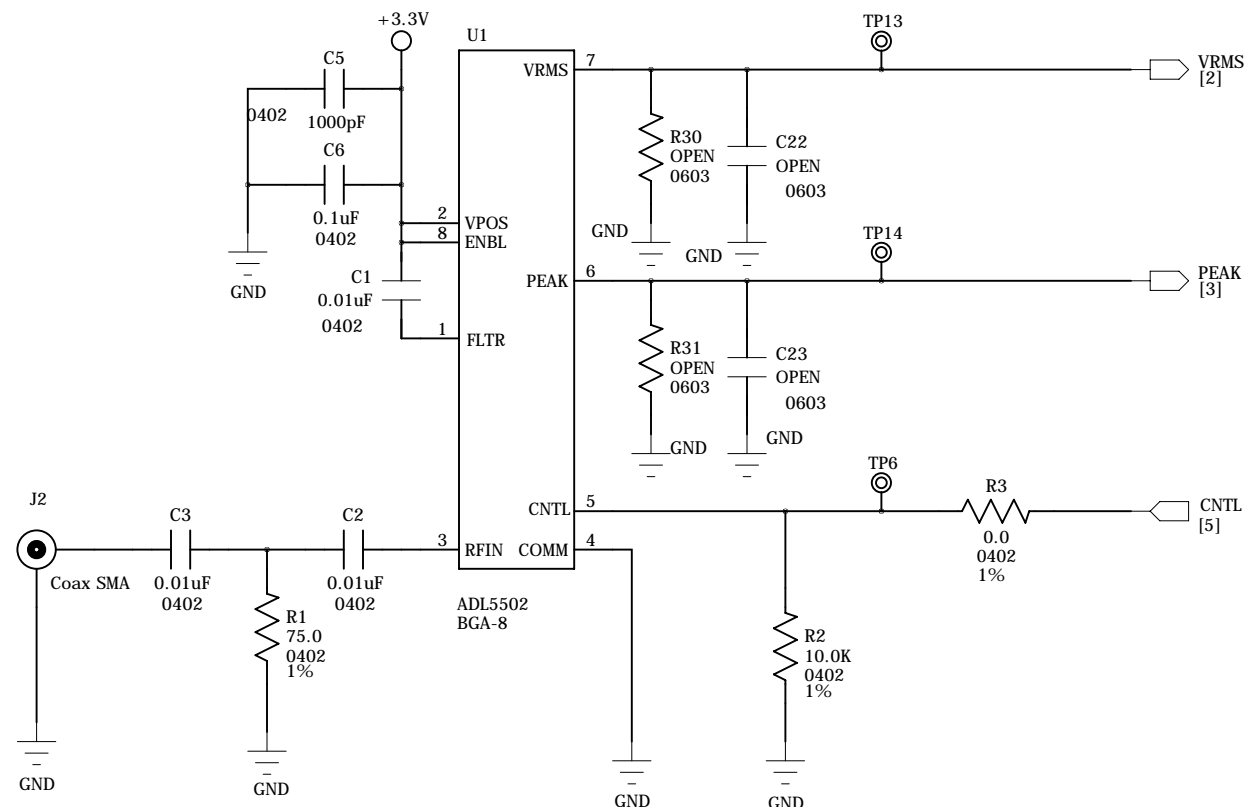
4

3

2

1

REVISION RECORD			
LTR	ECO NO:	APPROVED:	DATE:



D

D

C

C

B

B

A

A

COMPANY: **Analog Devices, Inc.**

PROJECT TITLE: **CN0187 - 450MHz to 6GHz Crest Factor Detector**

DRAWN: JBF	DATED: 5/5/2011	SIZE: B	SCHEMATIC TITLE: ADL5502	REV: B
RELEASED: TBD	DATED: TBD	SCALE: 1:1		SHEET: 1 OF 5

6

5

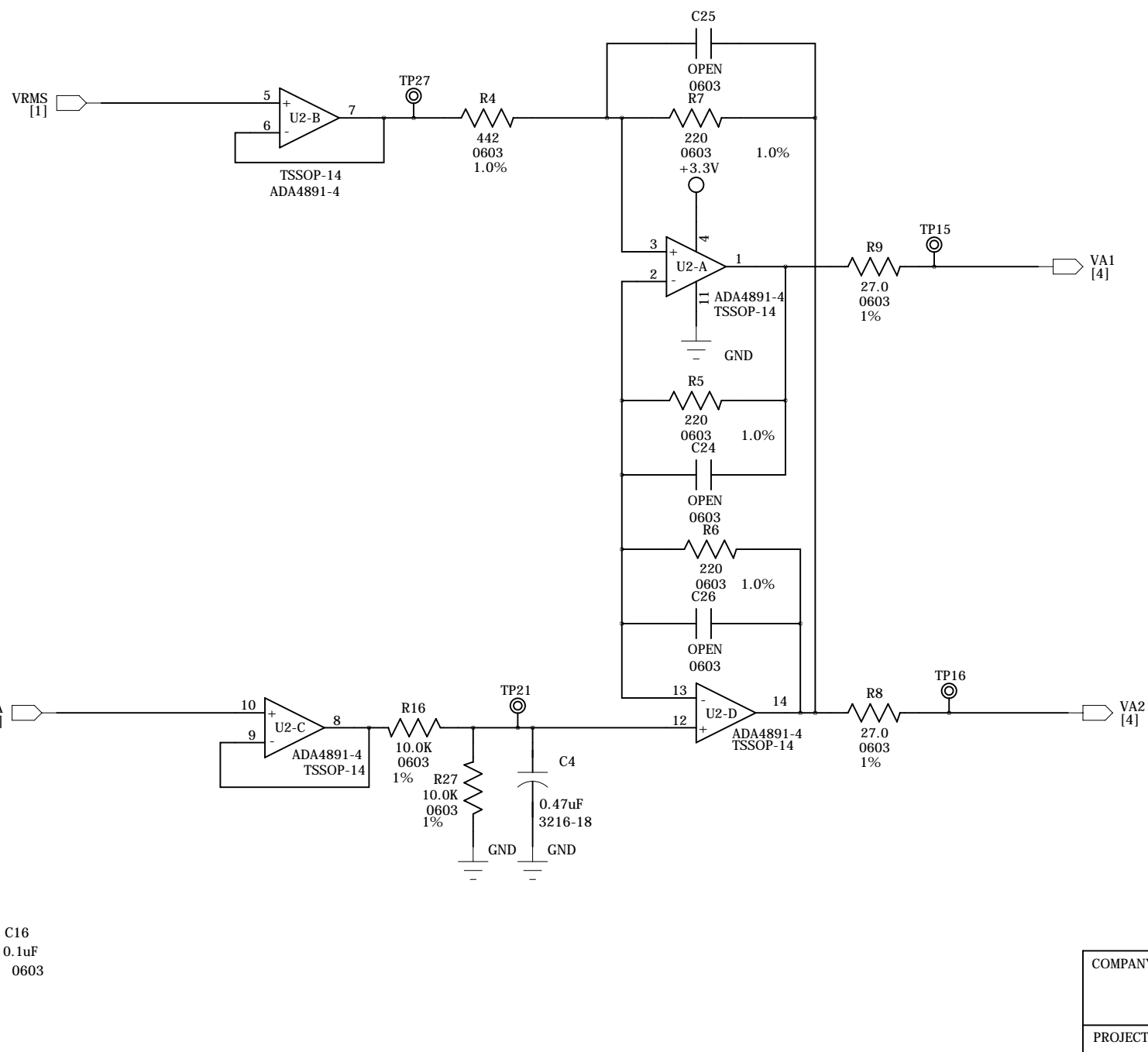
4

3

2

1

REVISION RECORD			
LTR	ECO NO:	APPROVED:	DATE:



COMPANY:		Analog Devices, Inc.	
PROJECT TITLE:		CN0187 - 450MHz to 6GHz Crest Factor Detector	
DRAWN:	DATED:	SIZE:	SCHEMATIC TITLE:
JBF	5/5/2011	B	RMS Single Ended to Differential
RELEASED:	DATED:	SCALE:	REV:
TBD	TBD	1:1	B
SHEET: 2			OF 5

6

5

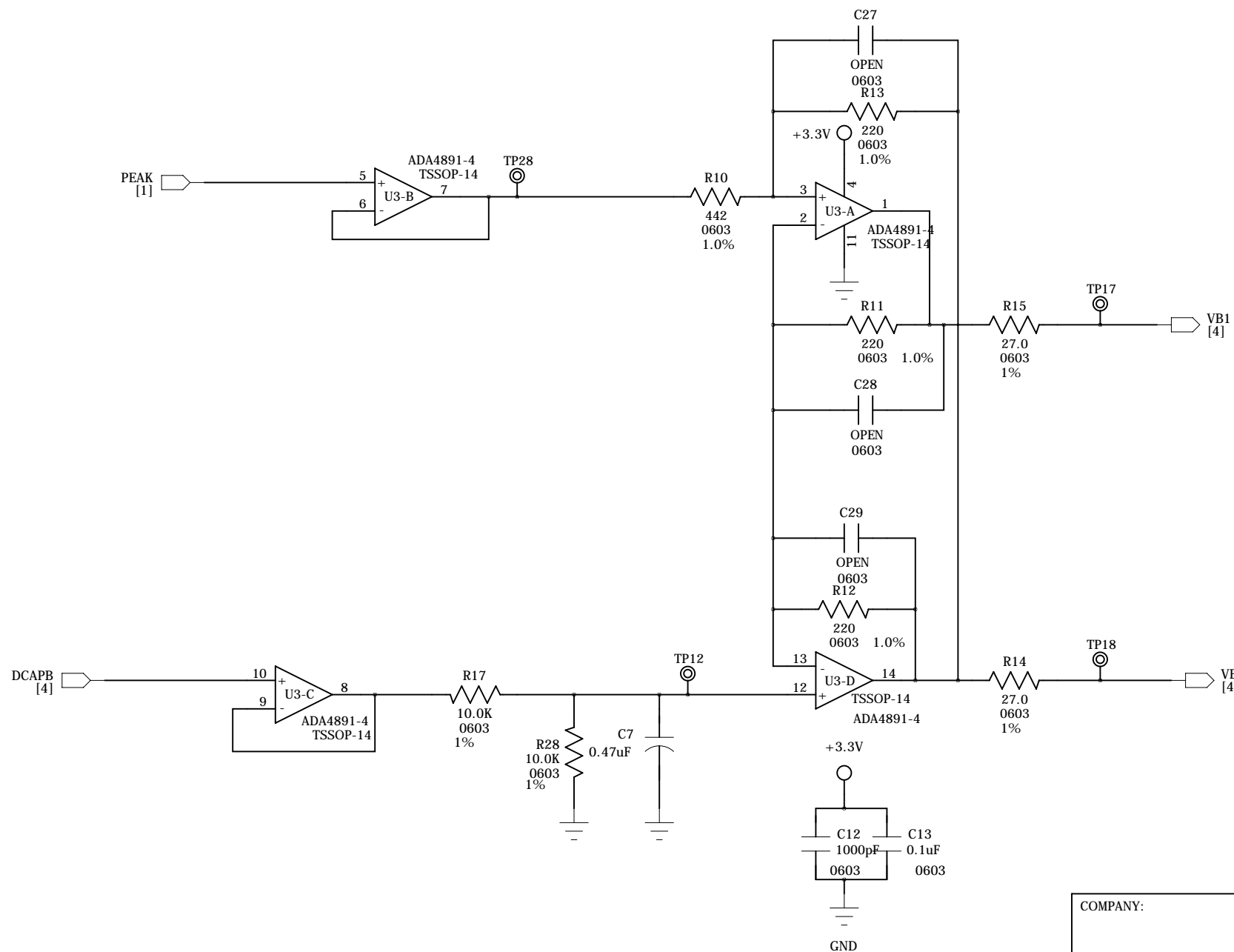
4

3

2

1

REVISION RECORD			
LTR	ECO NO:	APPROVED:	DATE:



COMPANY:		Analog Devices, Inc.	
PROJECT TITLE:		CN0187 - 450MHz to 6GHz Crest Factor Detector	
DRAWN:	JBF	DATED:	5/5/2011
RELEASED:	TBD	DATED:	TBD
SIZE:	B	SCHEMATIC TITLE:	PEAK Single Ended to Differential
SCALE: 1:1		SHEET: 3	OF 5

D

C

B

A

D

C

B

A

6

5

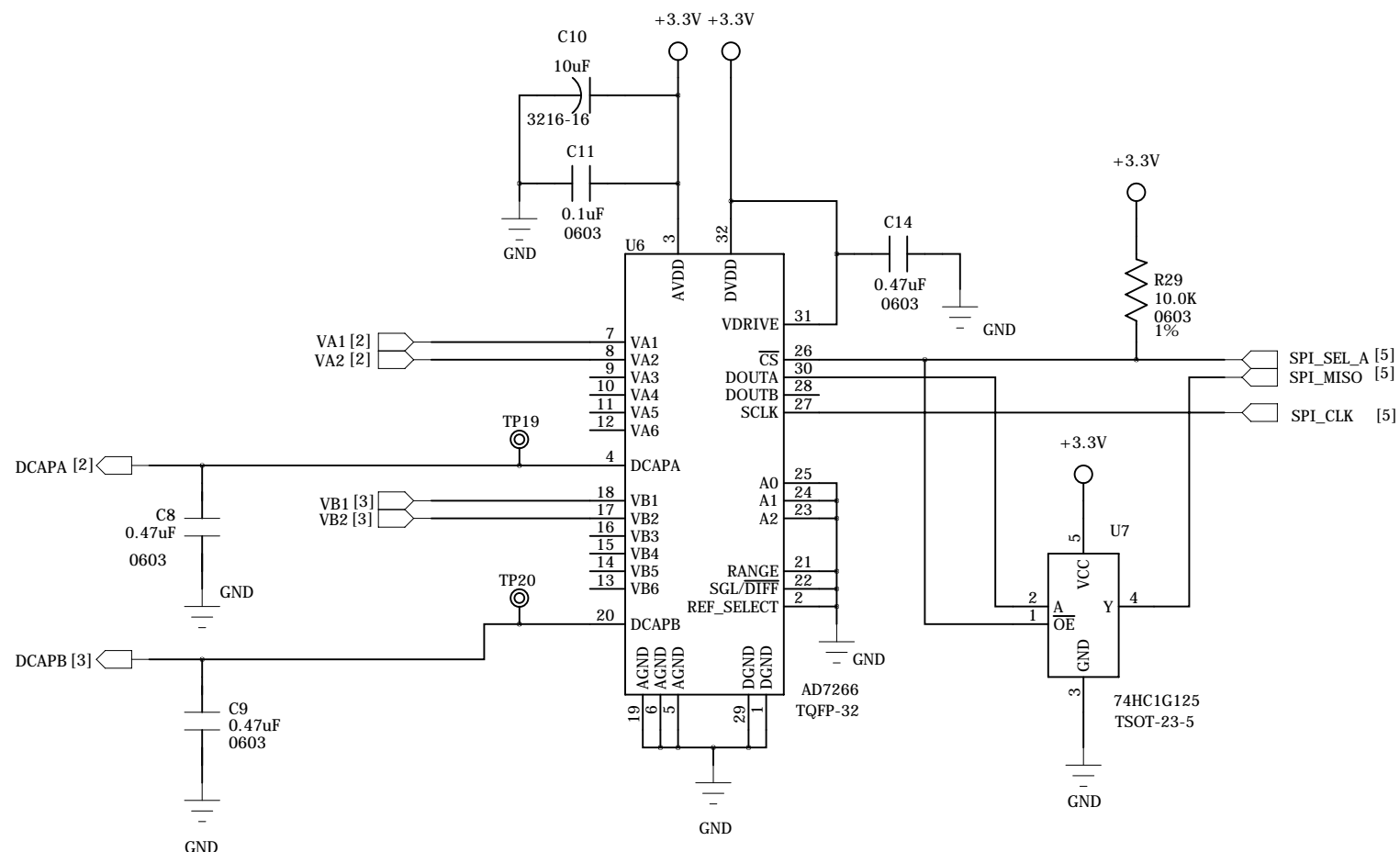
4

3

2

1

REVISION RECORD			
LTR	ECO NO:	APPROVED:	DATE:



COMPANY: **Analog Devices, Inc.**

PROJECT TITLE: **CN0187 - 450MHz to 6GHz Crest Factor Detector**

DRAWN: JBF	DATED: 5/5/2011	SIZE: B	SCHEMATIC TITLE: AD7622	REV: B
RELEASED: TBD	DATED: TBD	SCALE: 1:1		SHEET: 4 OF 5

6

5

4

3

2

1

D

D

C

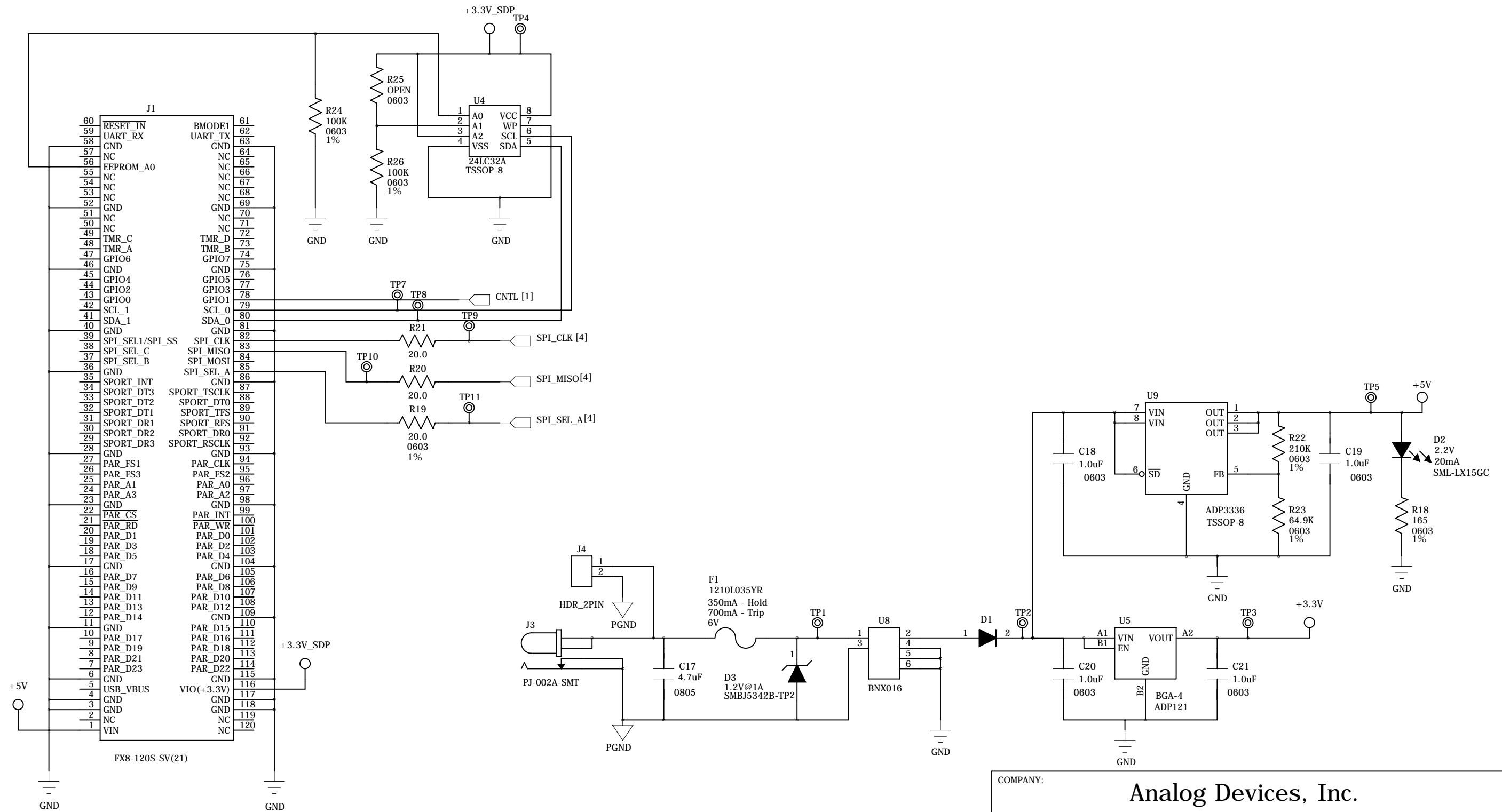
C

B

B

A

A



COMPANY: **Analog Devices, Inc.**

PROJECT TITLE: **CN0187 - 450MHz to 6GHz Crest Factor Detector**

DRAWN:	JBF	DATED:	5/5/2011	SIZE:	B	SCHEMATIC TITLE:	POWER	REV:	B
RELEASED:	TBD	DATED:	TBD	SCALE:	1:1	SHEET:	5 OF 5		

