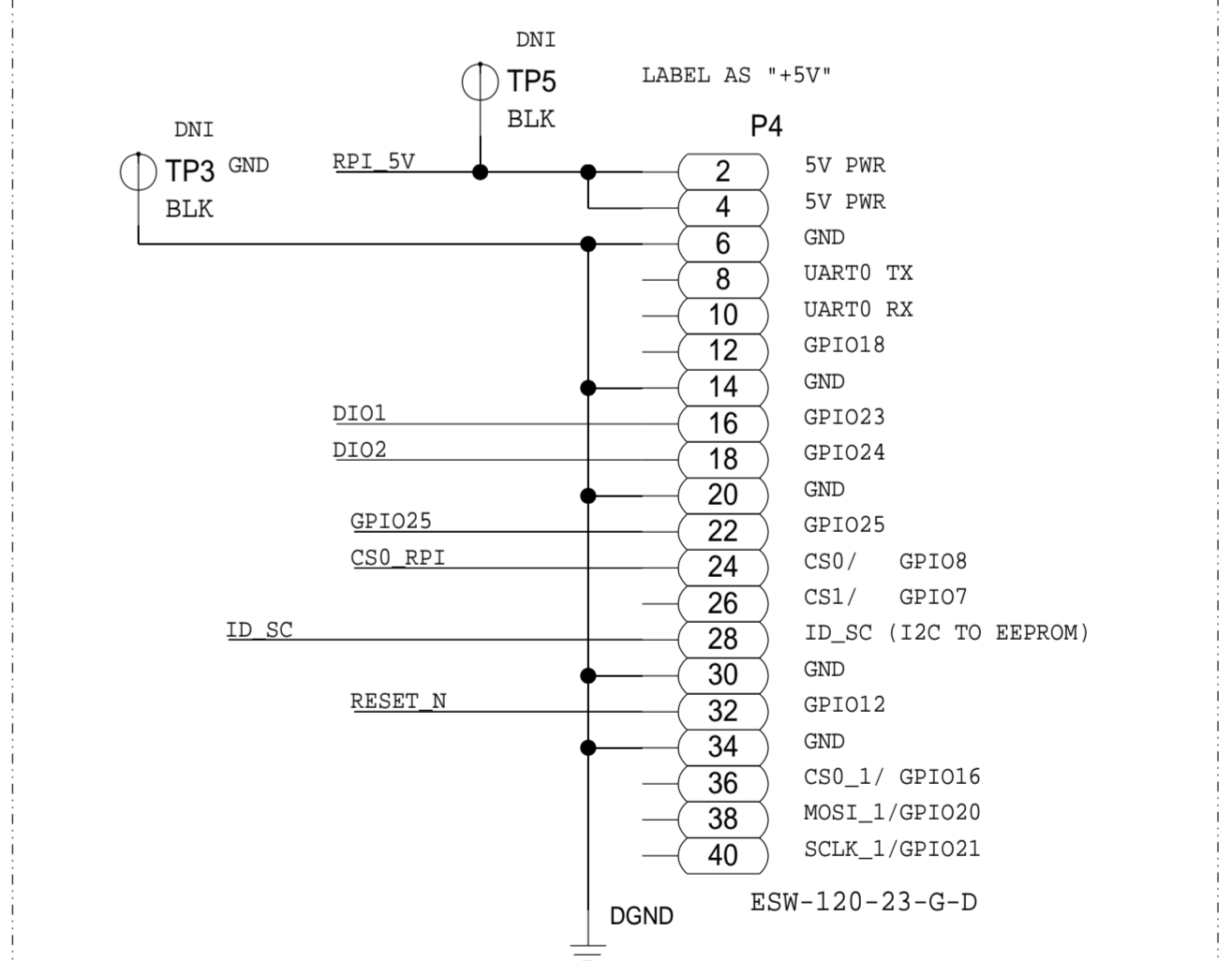
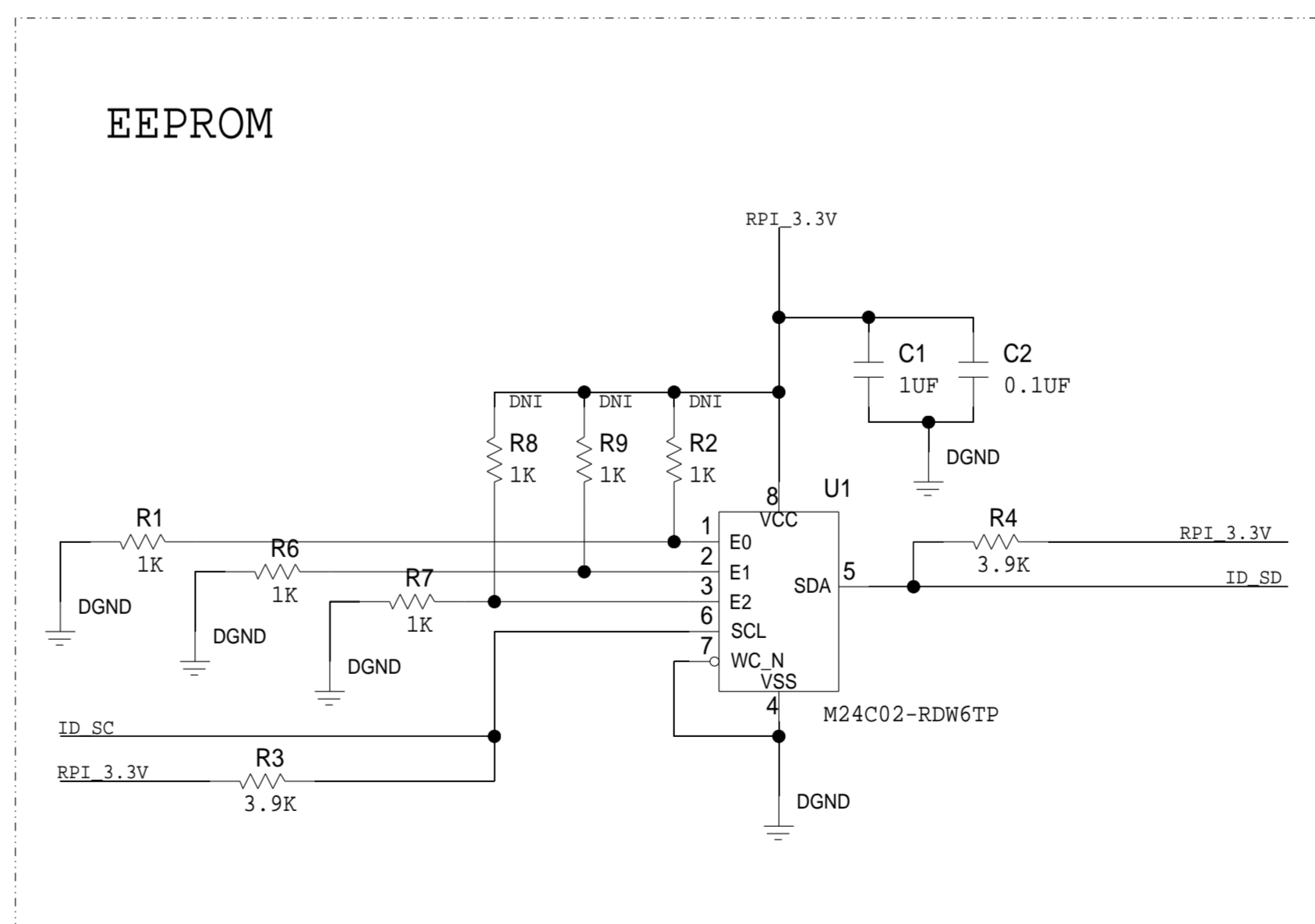
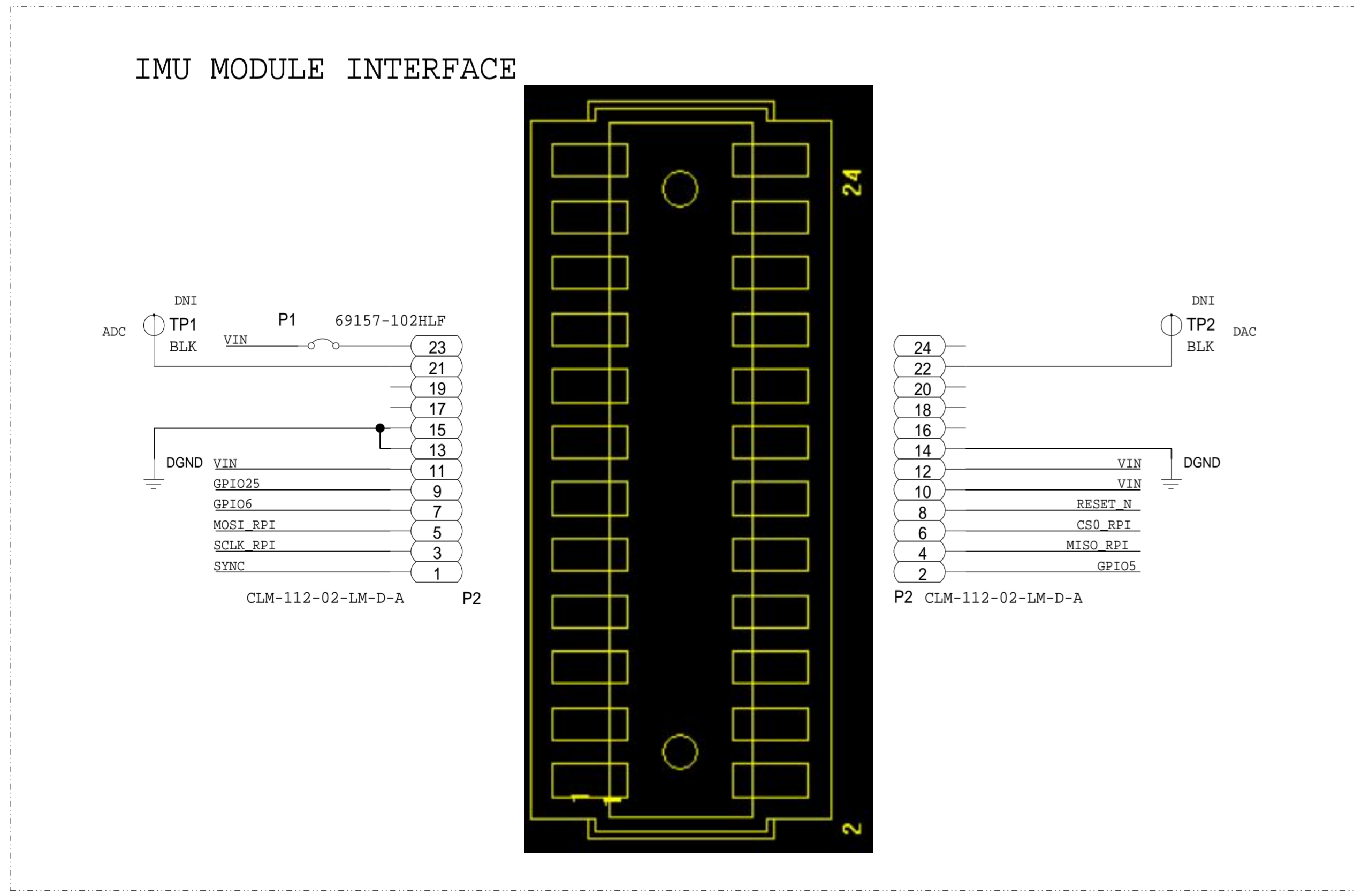
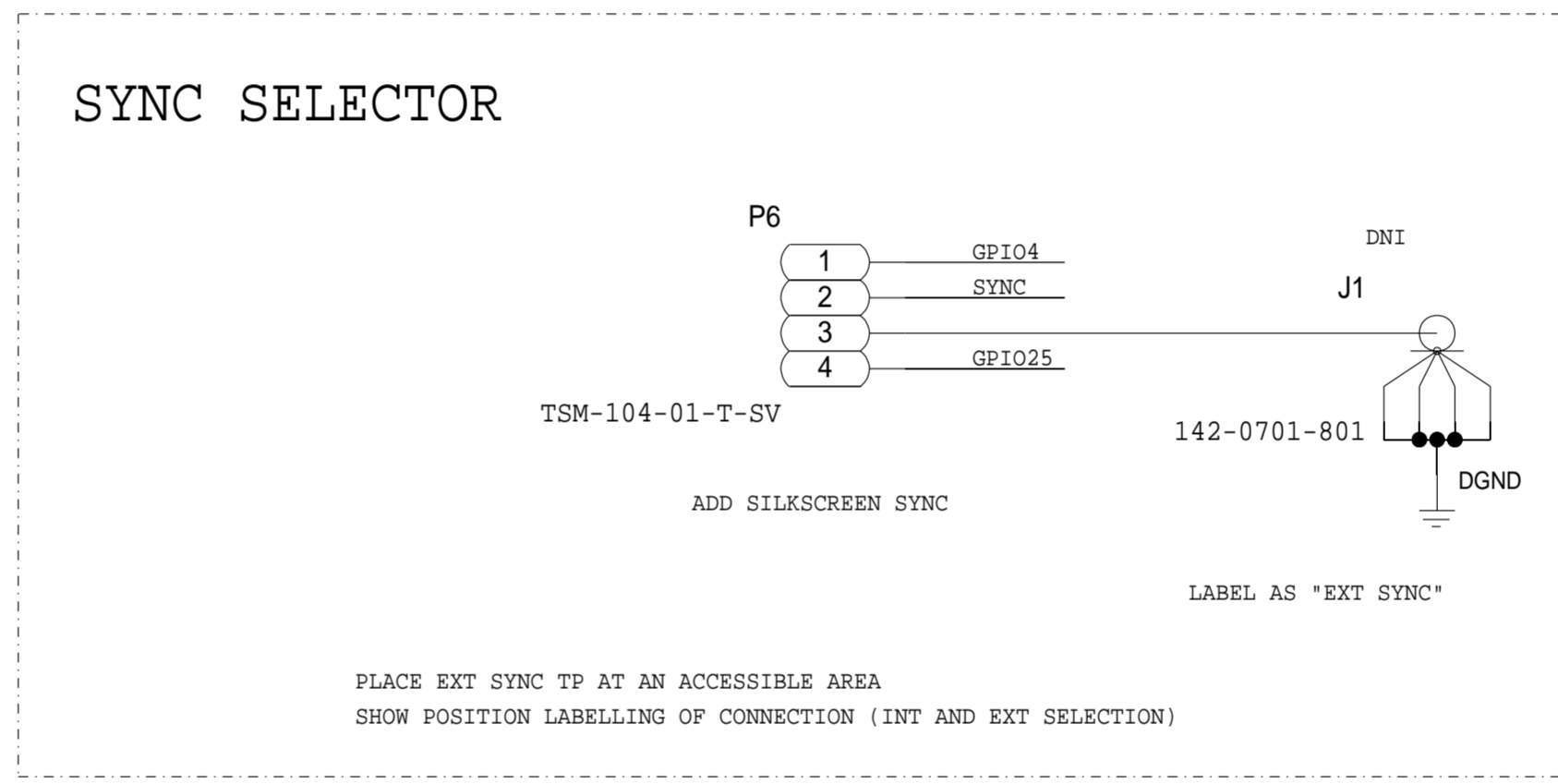
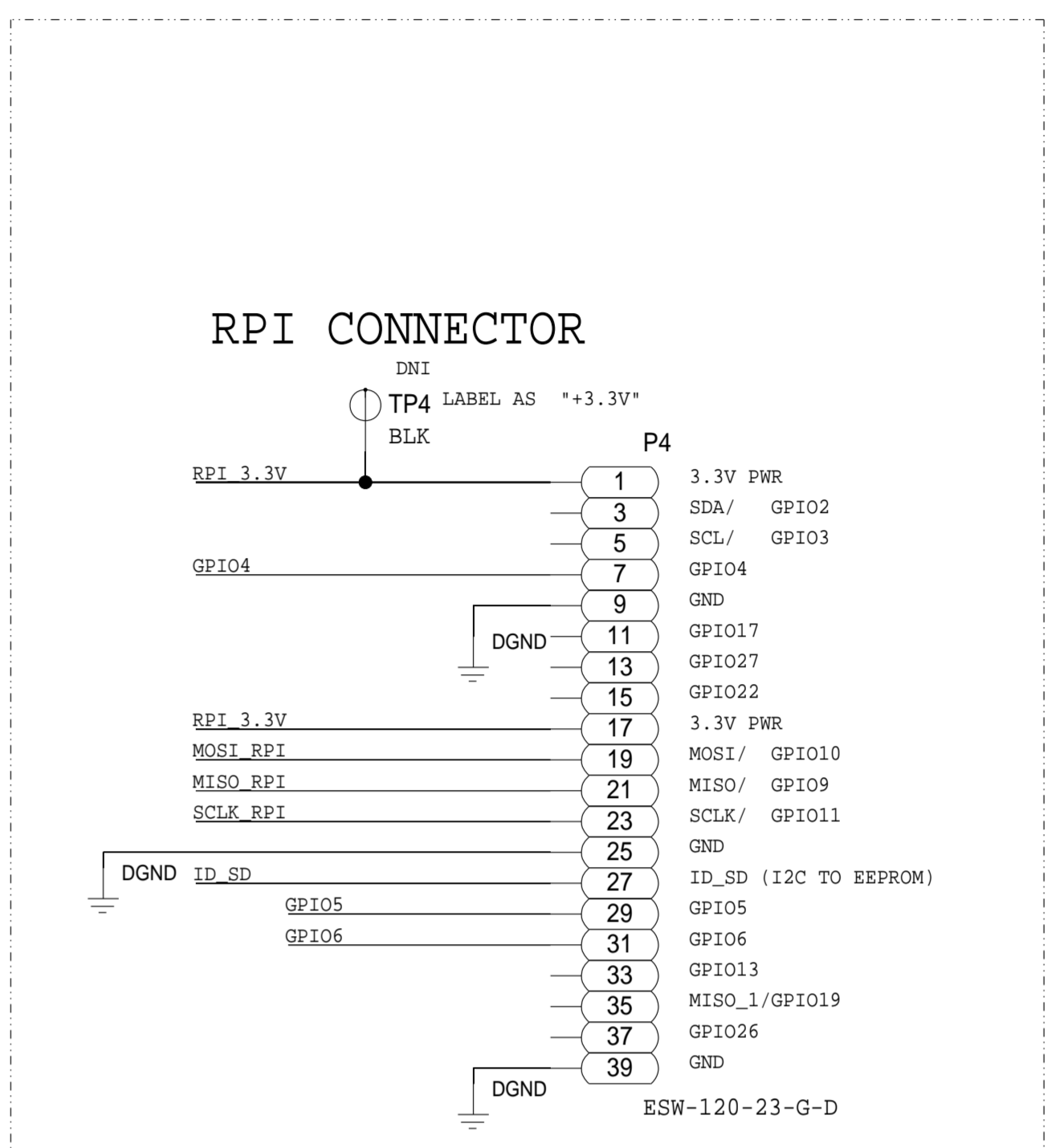
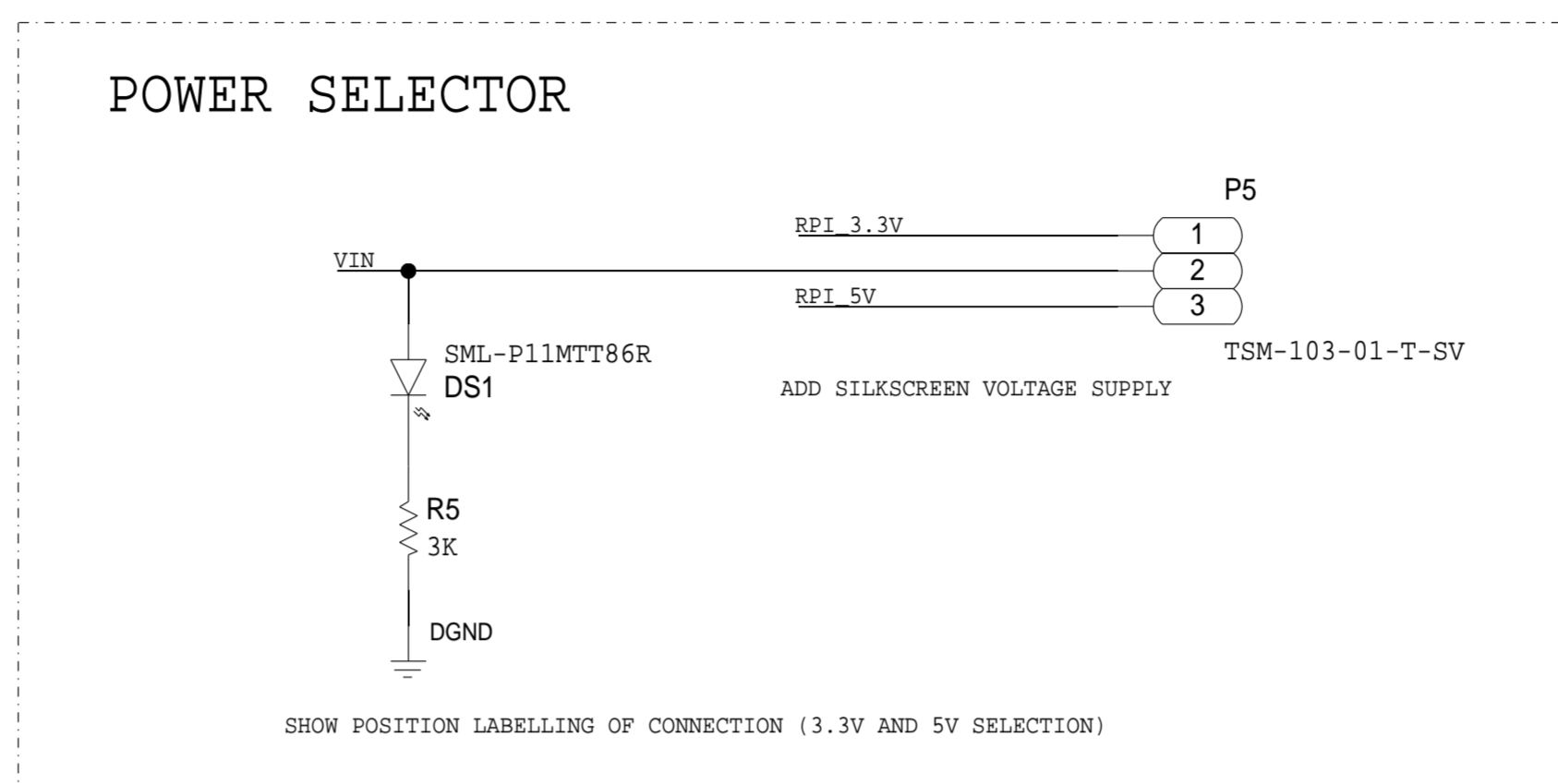
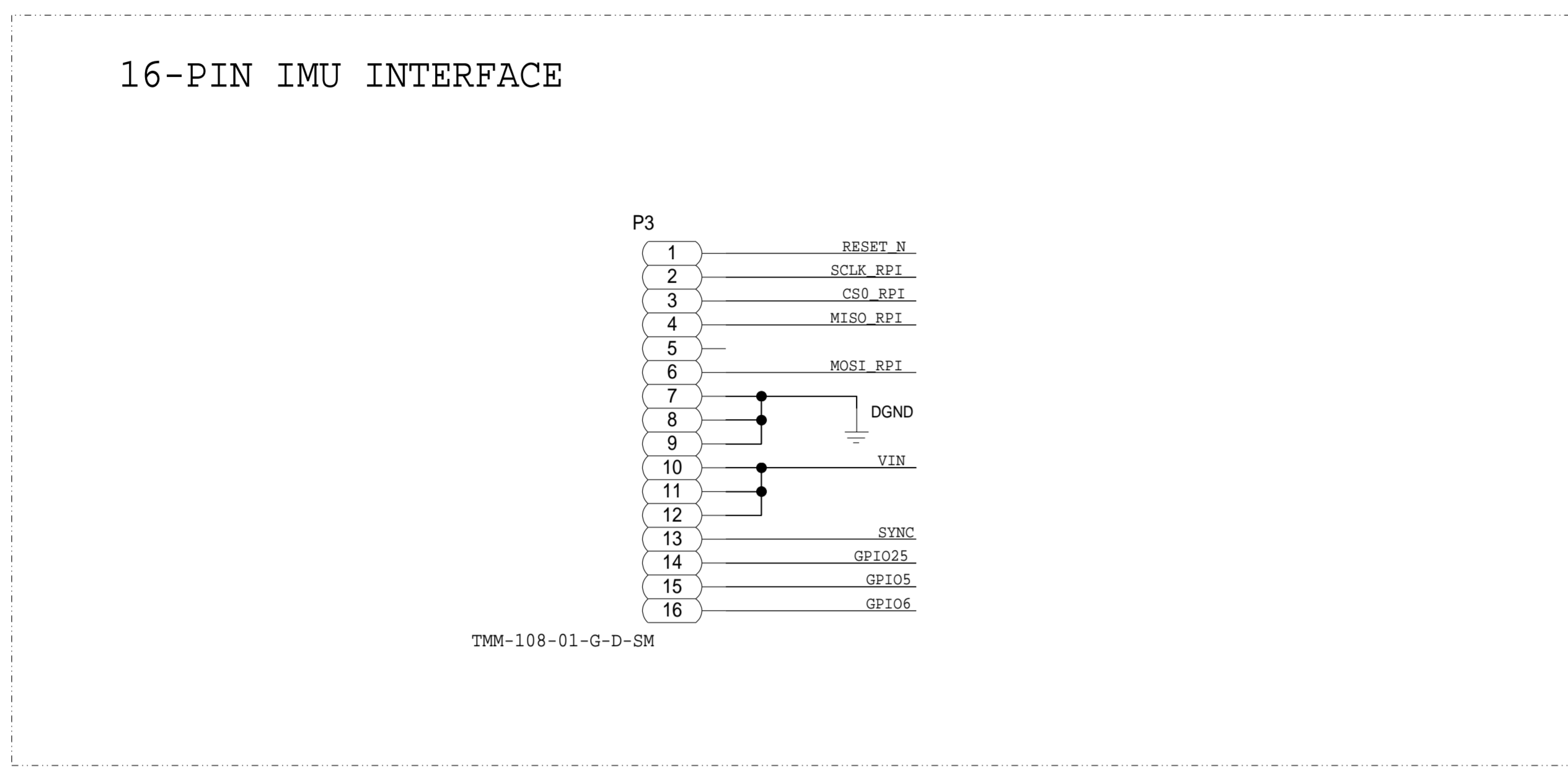


REVISIONS			
REV	DESCRIPTION	DATE	APPROVED



ANALOG DEVICES			
HW TYPE : Customer Evaluation Z Product(s) : None : None			
DESIGN VIEW	DRAWING NO.	REV	
<DESIGN_VIEW>	02_059367	B	
PTD ENGINEER	SIZE	SCALE	SHEET 2 OF 3
R. AMPARO	D	1:1	

8

7

6

5

4

3

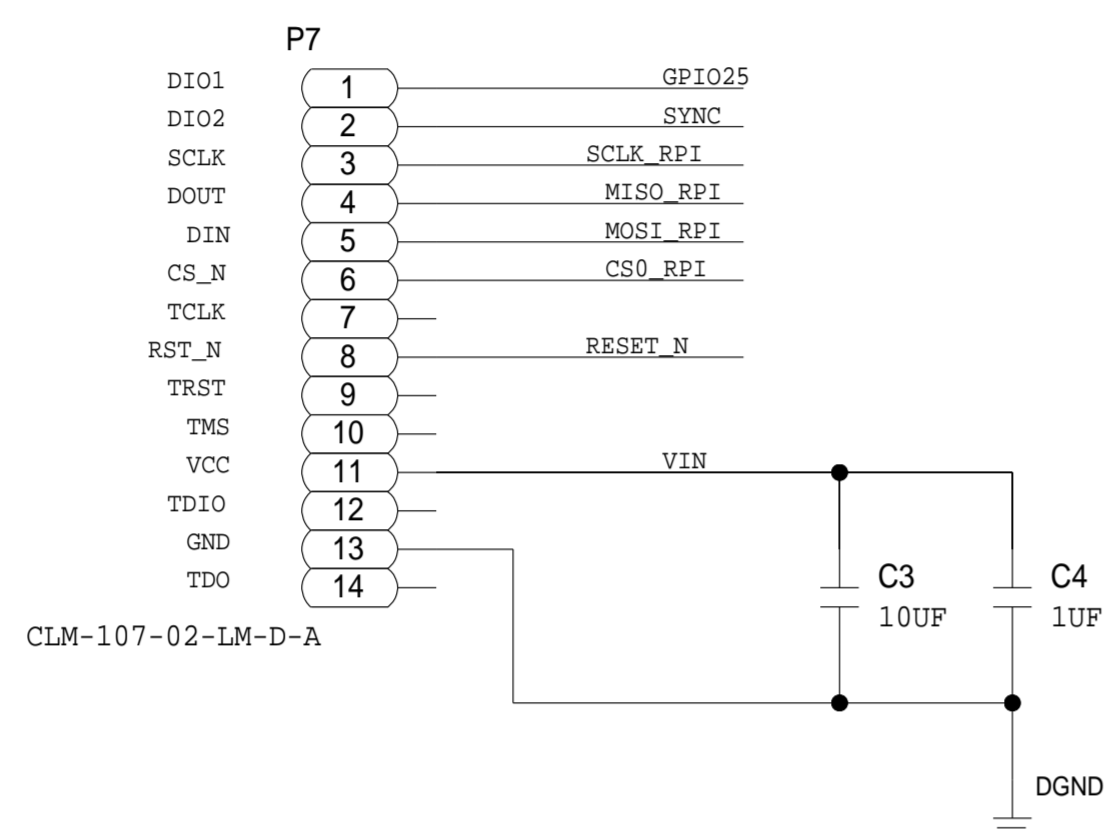
2

1

REVISIONS

REV	DESCRIPTION	DATE	APPROVED

IMU4 INTERFACE



D

D

C

C

B

B

A

A

8

7

6

5

4

3

2

1



SCHEMATIC

HW TYPE : Customer Evaluation Z
 Product(s): None
 : None

DESIGN VIEW
 <DESIGN_VIEW>

DRAWING NO.
 02_059367

REV
 B

PTD ENGINEER
 R. AMPARO

SIZE
 D

SCALE
 1:1

SHEET 3 OF 3

THIS DRAWING IS THE PROPERTY OF ANALOG DEVICES INC.
 IT IS NOT TO BE REPRODUCED OR COPIED, IN WHOLE OR
 IN PART, OR USED IN FURNISHING INFORMATION TO OTHERS,
 OR FOR ANY OTHER PURPOSE DETRIMENTAL TO THE INTERESTS
 OF ANALOG DEVICES.
 THE EQUIPMENT SHOWN HEREON MAY BE PROTECTED BY PATENTS
 OWNED OR CONTROLLED BY ANALOG DEVICES.