

REVISIONS			
REV	DESCRIPTION	DATE	APPROVED
A	INITIAL RELEASE	13FEB19	E.REYTA
B	AS PER ECR-086712	02MAY19	E.REYTA

JUMPER TABLE		
JP#	ON	OFF
1		
2		
3		
4		
5		

* SEE ASSEMBLY INSTRUCTIONS

THIS DRAWING IS THE PROPERTY OF ANALOG DEVICES INC. IT IS NOT TO BE REPRODUCED OR COPIED, IN WHOLE OR IN PART, OR USED IN FURNISHING INFORMATION TO OTHERS, OR FOR ANY OTHER PURPOSE DETRIMENTAL TO THE INTERESTS OF ANALOG DEVICES. THE EQUIPMENT SHOWN HEREON MAY BE PROTECTED BY PATENTS OWNED OR CONTROLLED BY ANALOG DEVICES.

RELAY CONTROL CHART

CONTROL	CODE	DEVICE	FUNCTION	CONNECTOR

P.O SPEC.	BK/BD SPEC.	SOCKET OEM	OEM PART#	HANDLER

TEMPLATE ENGINEER N/A	DATE	<h2 style="text-align: center;">SCHEMATIC</h2> <p>HW TYPE : Customer Evaluation Z Product(s) : LT1054 : eval board PACKAGE : 8-lead 3.76X4.72X1.0 SOIC_IC-family : Pitch-pitch StyleVendor Style</p>														
HARDWARE SERVICES M. JOSE	13FEB19															
HARDWARE SYSTEMS N/A																
TEST ENGINEER N/A																
COMPONENT ENGINEER A. CAUILAN-AGENA	13FEB19															
TEST PROCESS N/A																
HARDWARE RELEASE K. JABATAN	13FEB19															
DESIGNER J. PACAMARRA	13FEB19				MASTER PROJECT TEMPLATE TBD	TESTER TEMPLATE no_template	DRAWING NO. 02_056851	REV. B								
PTD ENGINEER E. REYTA	13FEB19	<small>UNLESS OTHERWISE SPECIFIED DIMENSIONS ARE IN INCHES</small> <table> <tr> <th colspan="3">TOLERANCES</th> </tr> <tr> <td>DECIMALS</td> <td>FRACTIONS</td> <td>ANGLES</td> </tr> <tr> <td>X.XX +0.010</td> <td>+1/32</td> <td>+2</td> </tr> <tr> <td>X.XXX +0.005</td> <td></td> <td></td> </tr> </table>			TOLERANCES			DECIMALS	FRACTIONS	ANGLES	X.XX +0.010	+1/32	+2	X.XXX +0.005		
TOLERANCES																
DECIMALS	FRACTIONS	ANGLES														
X.XX +0.010	+1/32	+2														
X.XXX +0.005																
CHECKER N/A		SIZE D	SCALE 1:1	CODE ID NO. CodeID	SHEET 1 OF 2											

8

7

6

5

4

3

2

1

D

D

C

C

B

B

A

A

8

7

6

5

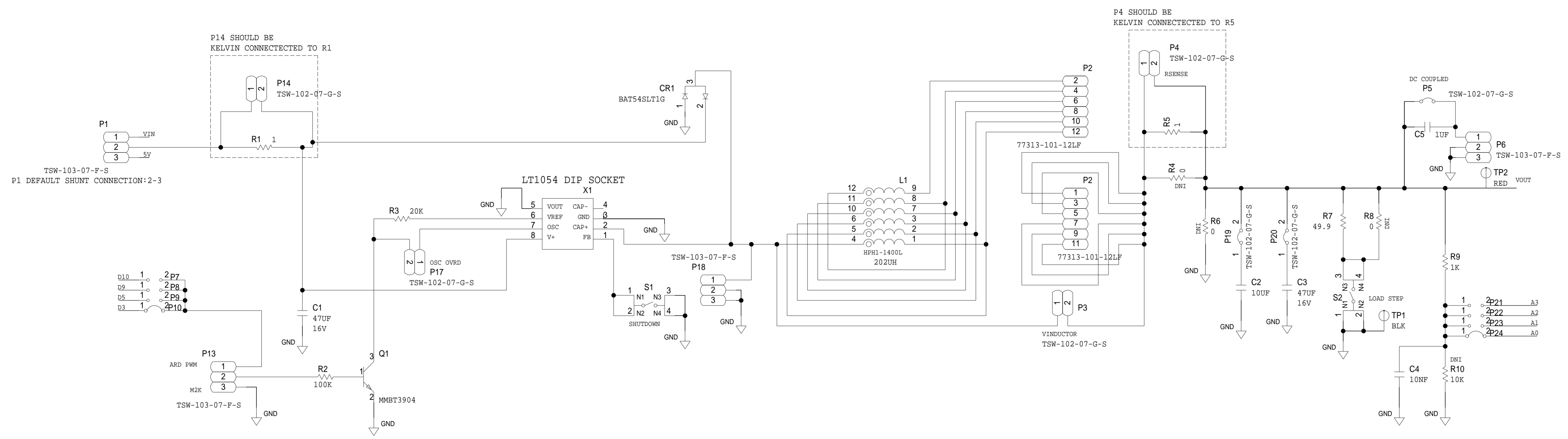
4

3

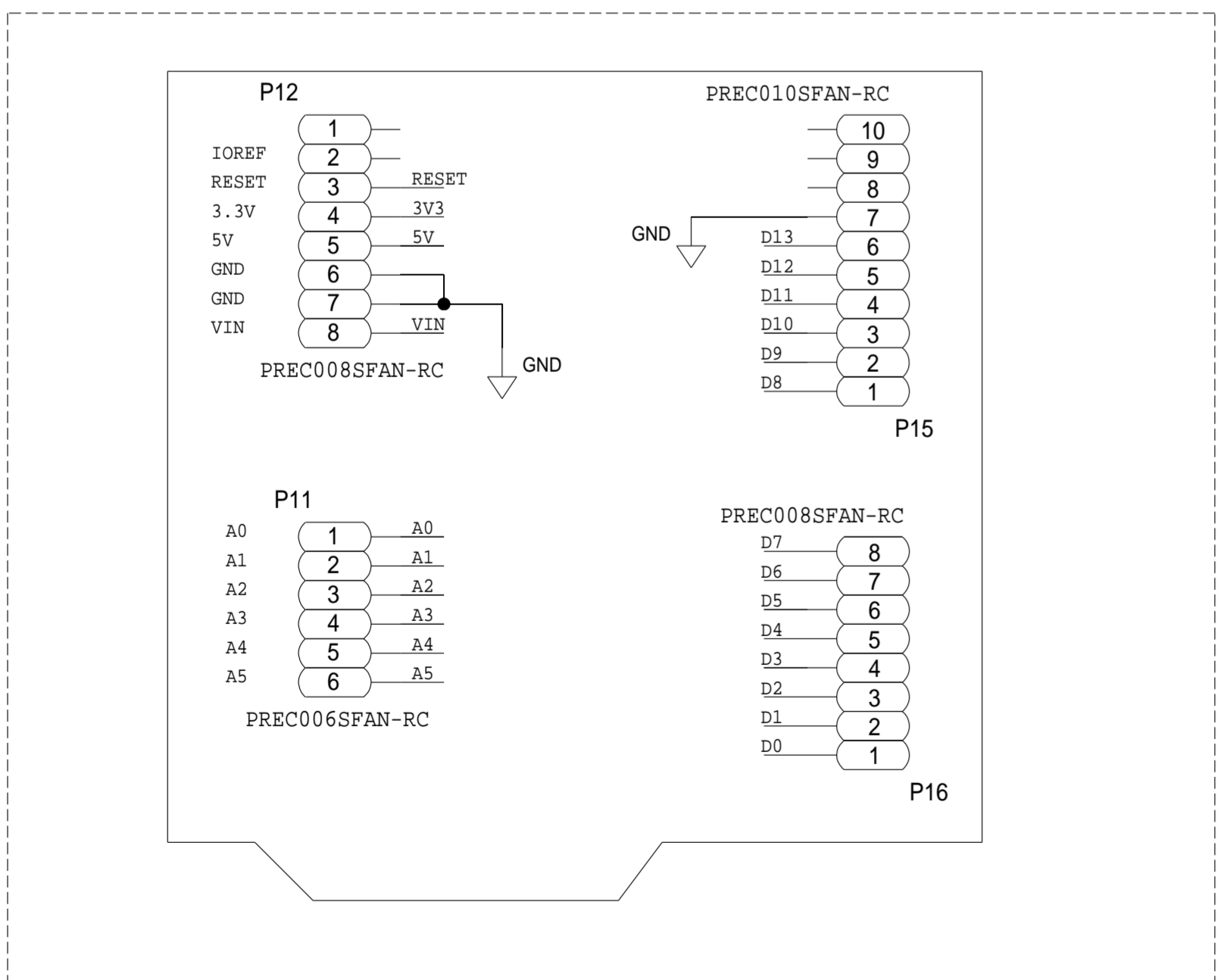
2

1

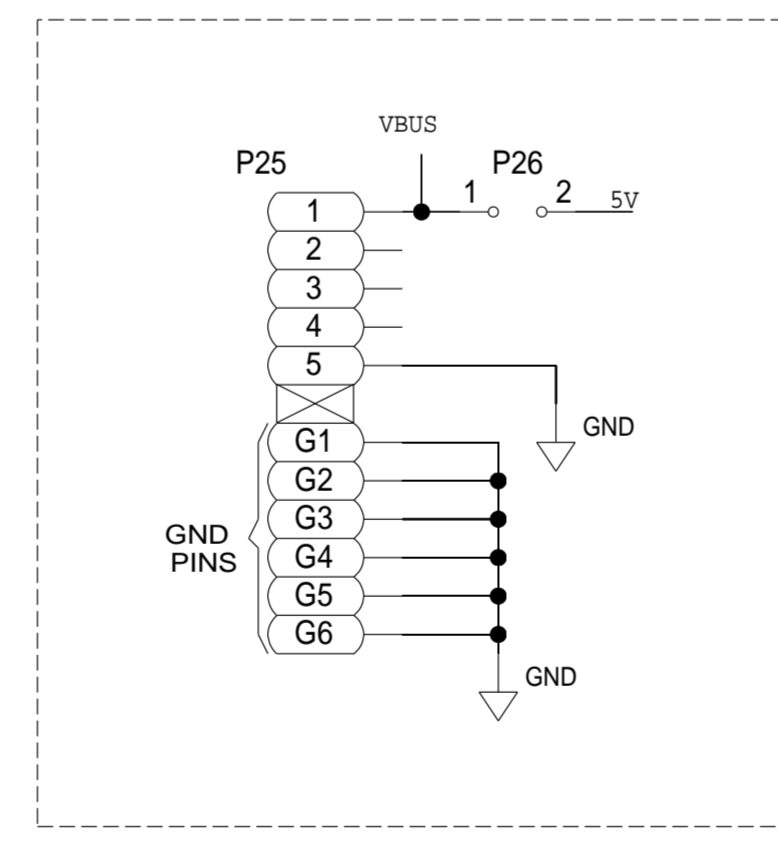
REVISIONS			
REV	DESCRIPTION	DATE	APPROVED



ARDUINO CONNECTION



USB POWER SOURCE OPTION



	SCHEMATIC		
	HW TYPE : Customer Evaluation Z Product(s) : LT1054 : eval board		
	DESIGN VIEW <DESIGN_VIEW>	DRAWING NO. 02_056851	REV B
	PTD ENGINEER E. REVTA	SIZE D	SCALE 1:1
SHEET 2 OF 2			