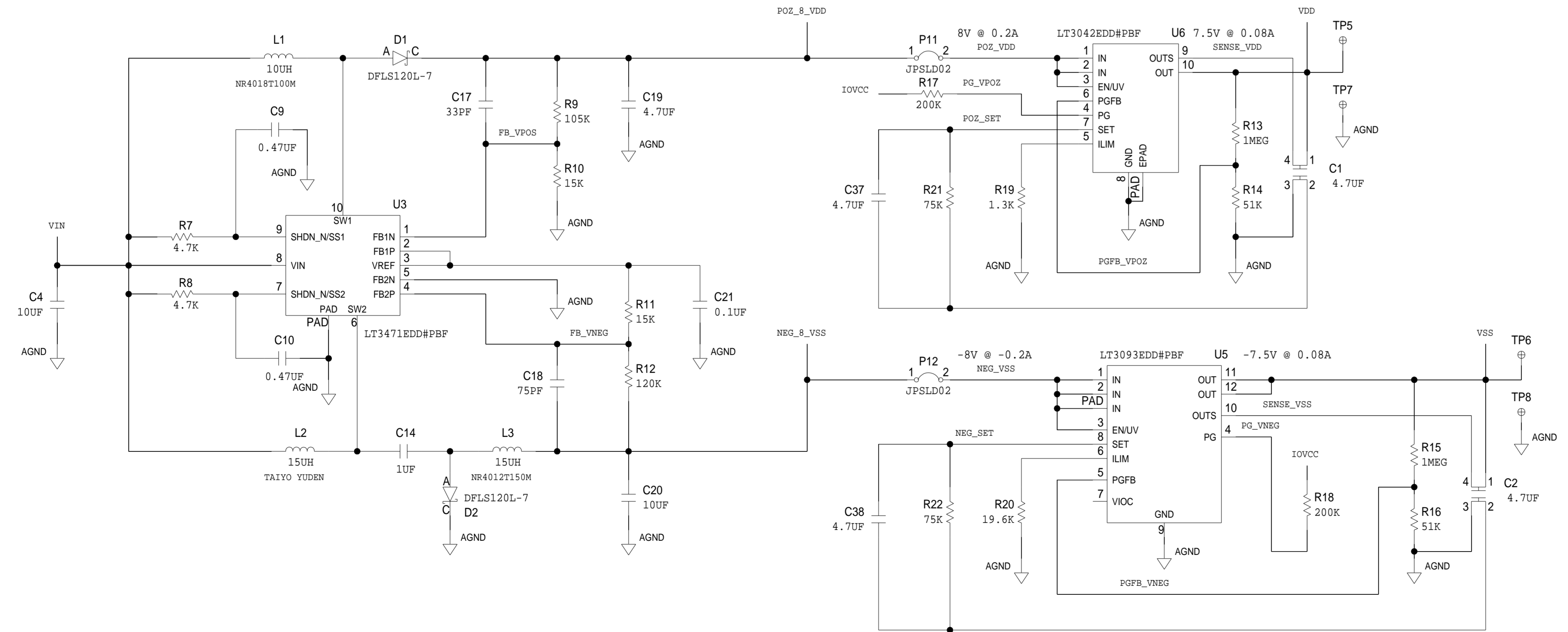
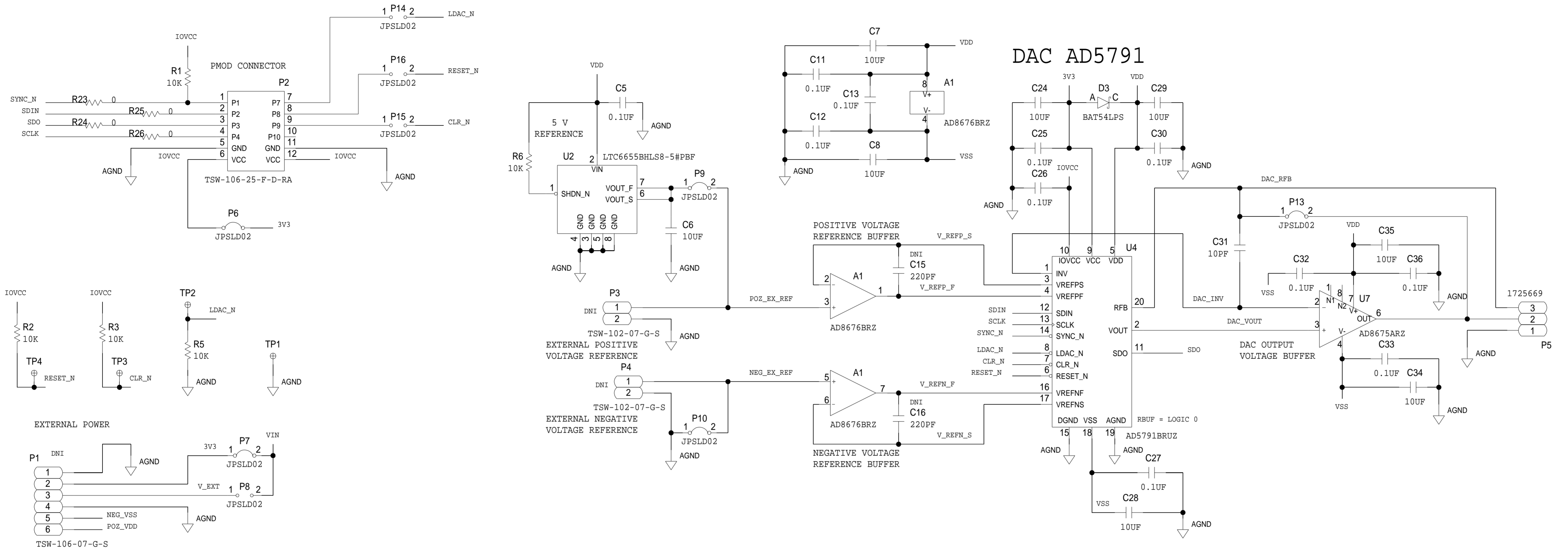
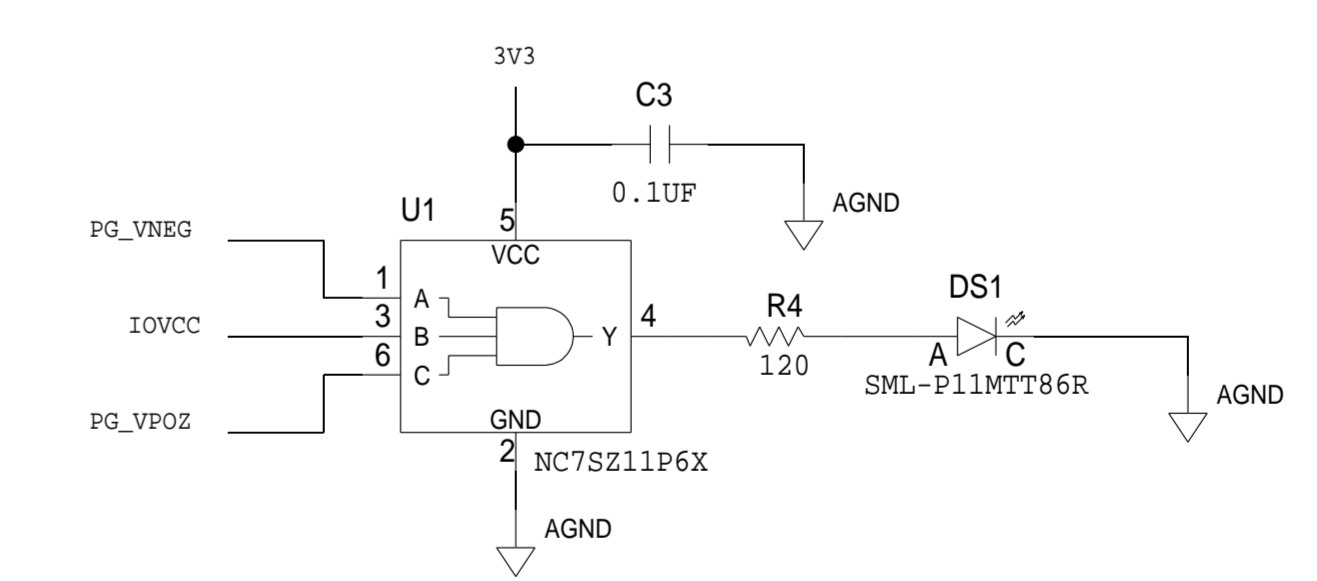
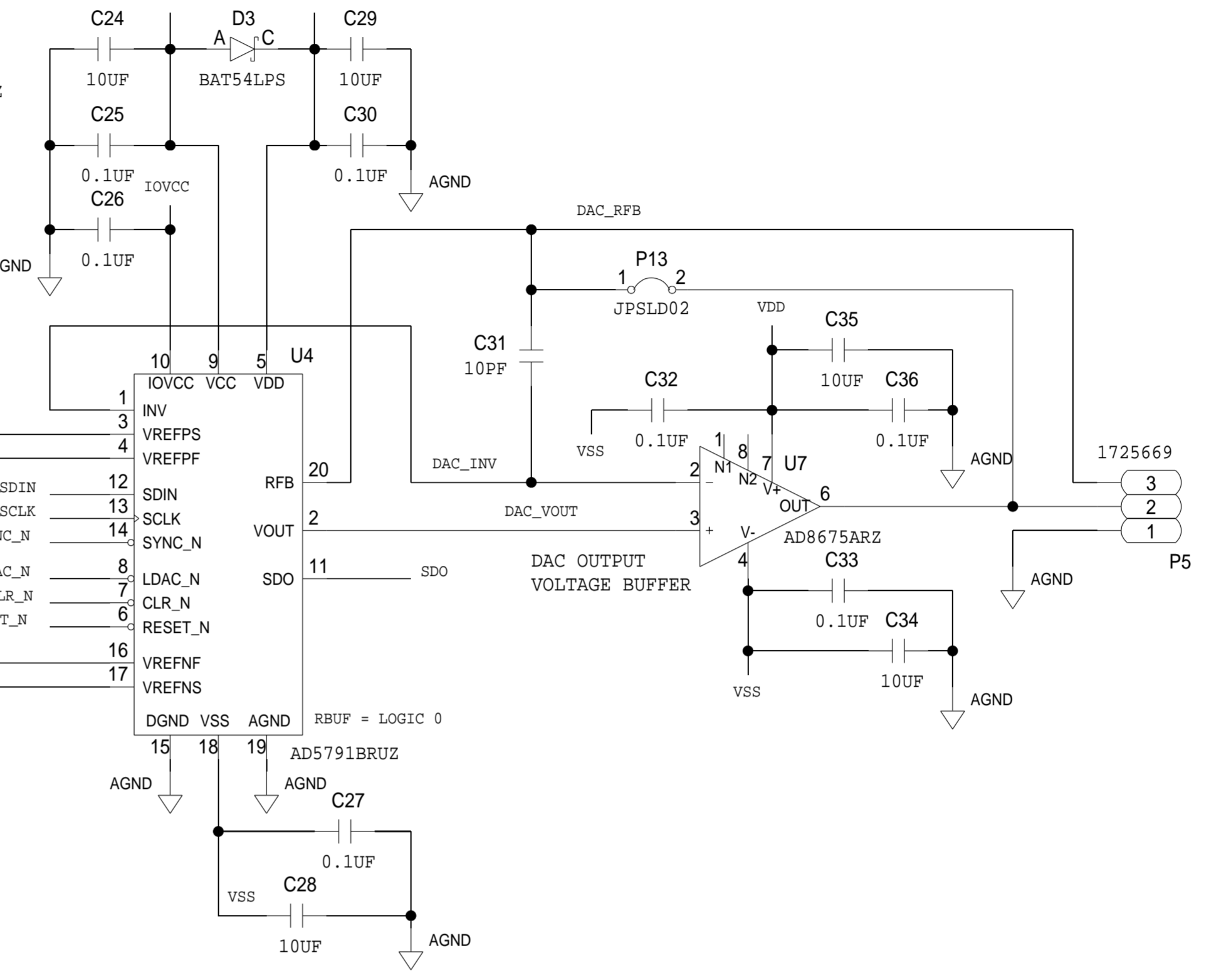




REVISIONS			
REV	DESCRIPTION	DATE	APPROVED



### DAC AD5791



SCHEMATIC			
		HW TYPE : Customer Evaluation Z Product(s) : AD5791 : LTC6655, AD8676, AD8675, LT3471, LT3042, LT3093	
DESIGN VIEW <DESIGN_VIEW>	DRAWING NO. 02_058962	REV B	
PTD ENGINEER M. SUCIU	SIZE D	SCALE 1:1	SHEET 2 OF 2