

THIS DRAWING IS THE PROPERTY OF ANALOG DEVICES INC. IT IS NOT TO BE REPRODUCED OR COPIED, IN WHOLE OR IN PART, OR USED IN FURNISHING INFORMATION TO OTHERS, OR FOR ANY OTHER PURPOSE DETRIMENTAL TO THE INTERESTS OF ANALOG DEVICES. THE EQUIPMENT SHOWN HEREON MAY BE PROTECTED BY PATENTS OWNED OR CONTROLLED BY ANALOG DEVICES.

JUMPER TABLE

JP#	ON	OFF
1		
2		
3		
4		
5		

* SEE ASSEMBLY INSTRUCTIONS

REVISIONS

REV	DESCRIPTION	DATE	APPROVED
A	INITIAL RELEASE	18SEP20	N.GARLITOS
A1	CHANGES PER ECR-099830	05NOV20	N.GARLITOS
B	CHANGES PER ECR-110924	14OCT22	N.GARLITOS

RELAY CONTROL CHART

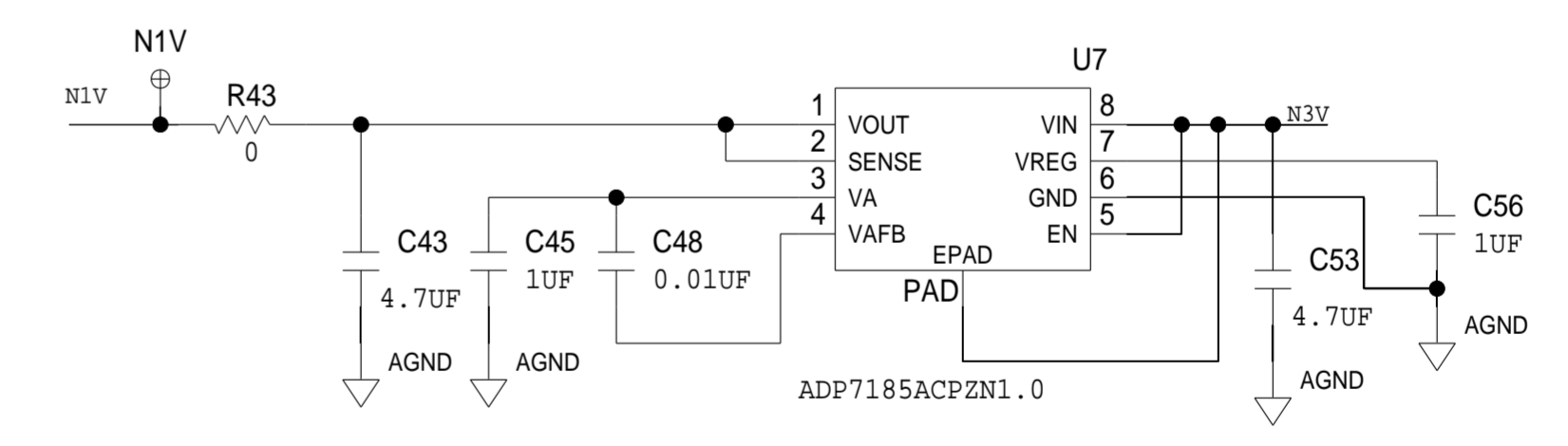
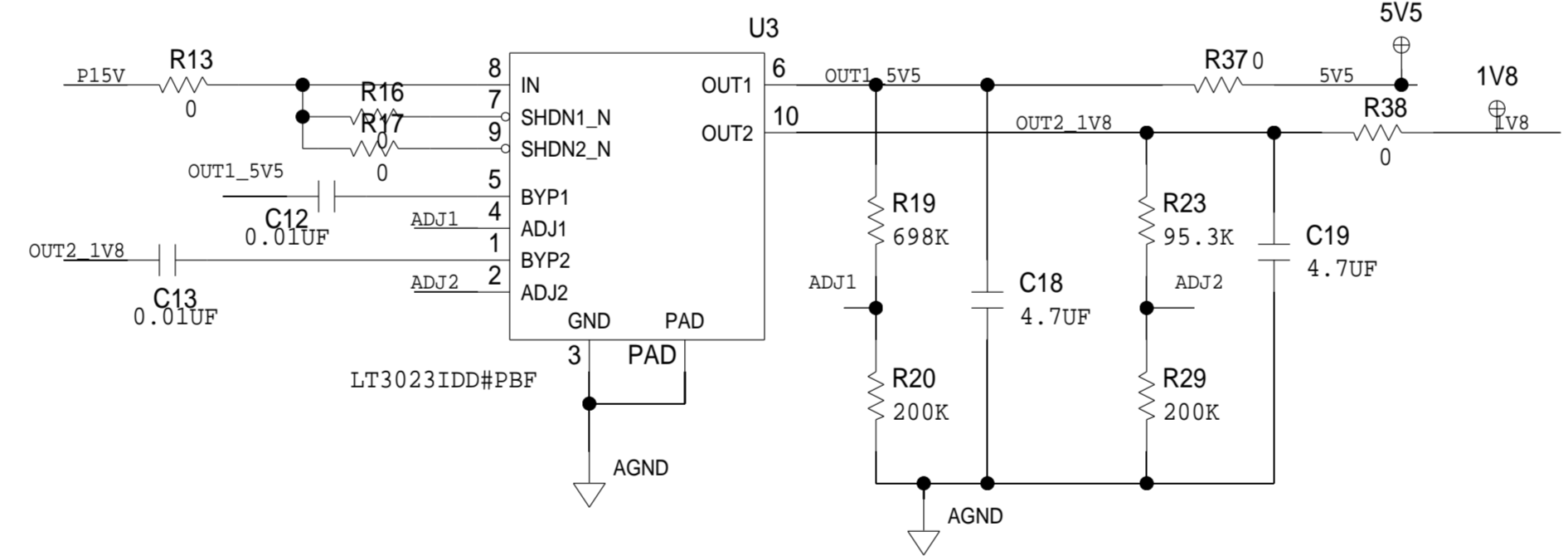
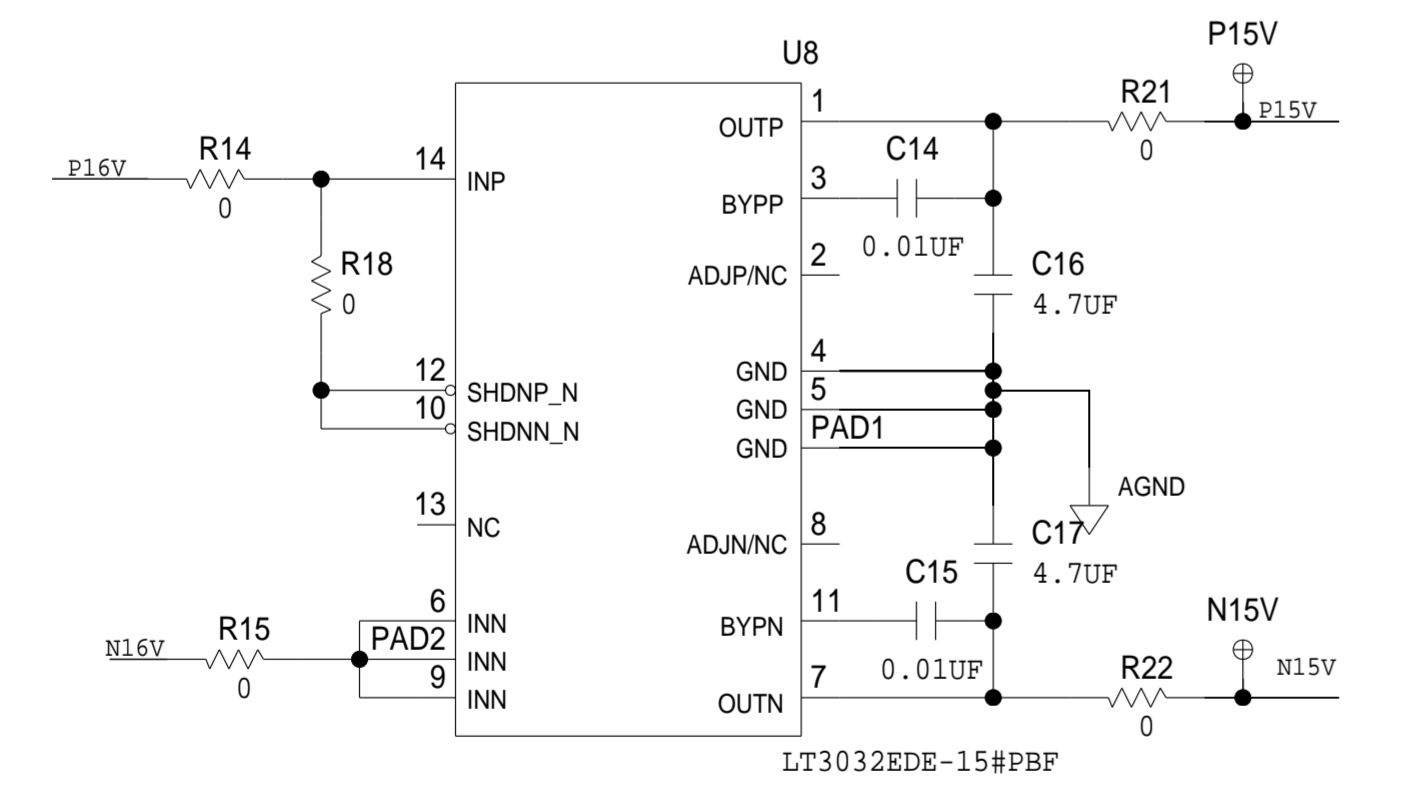
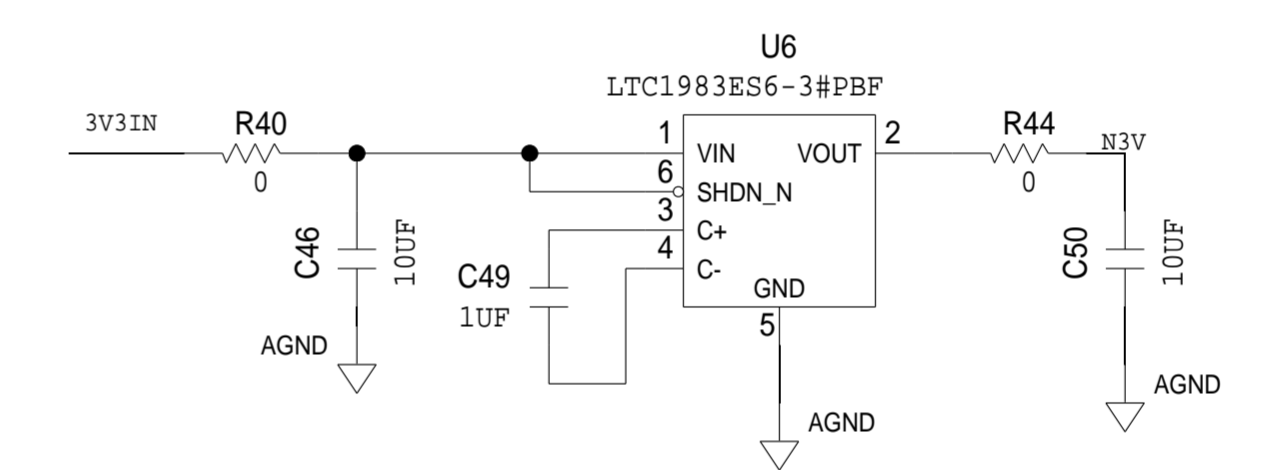
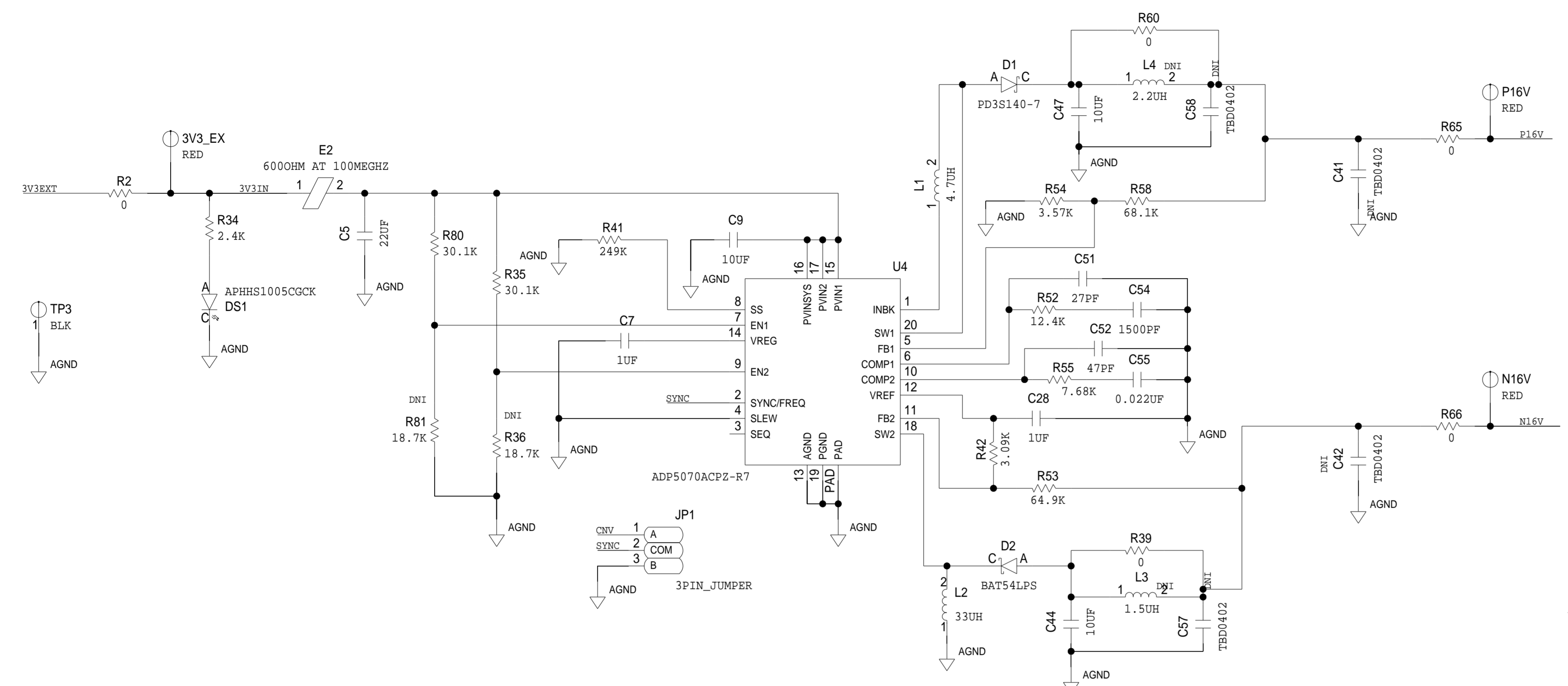
CONTROL	CODE	DEVICE	FUNCTION	CONNECTOR



P.O SPEC.	BK/BD SPEC.	SOCKET OEM	OEM PART#	HANDLER

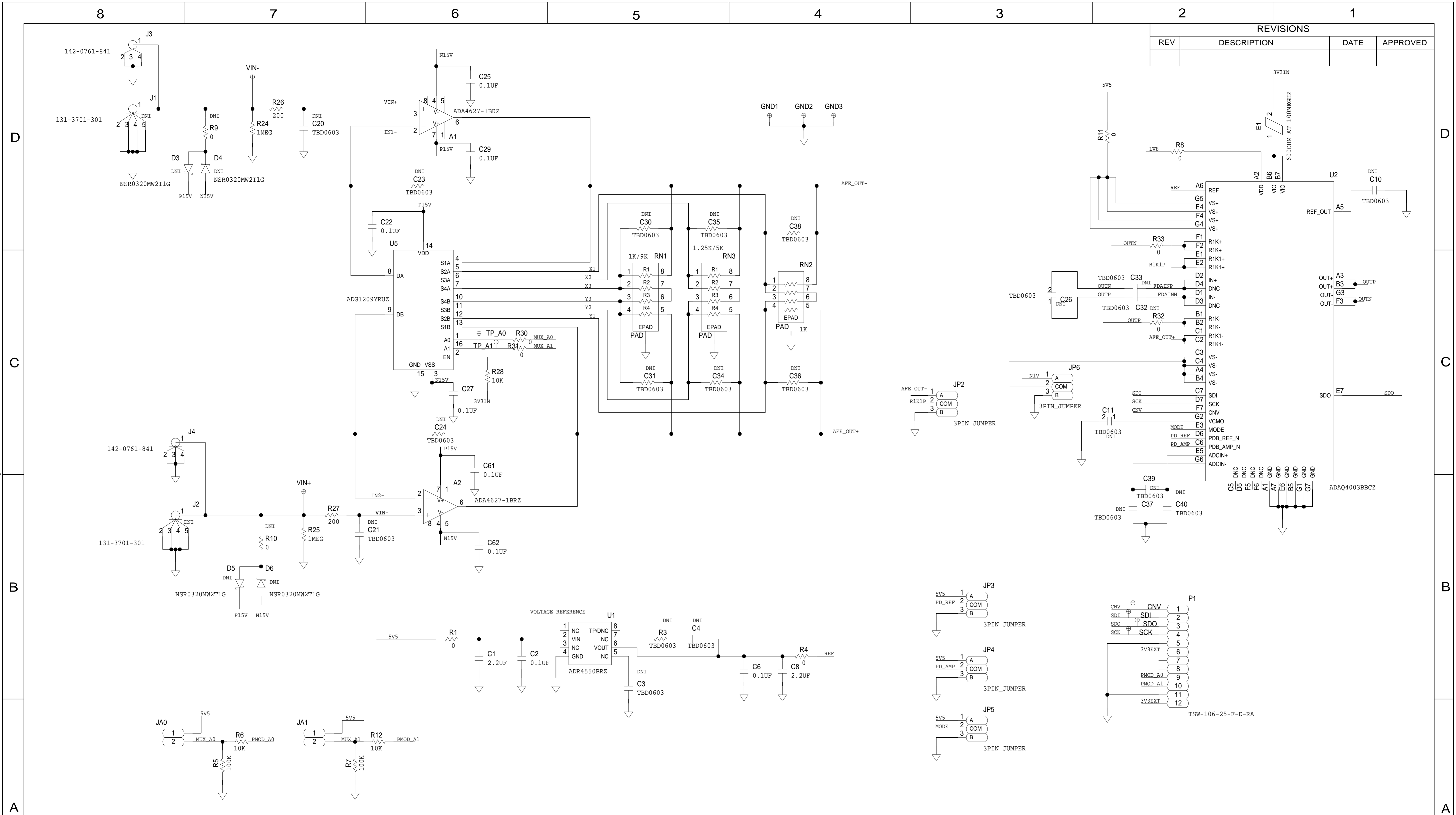
TEMPLATE ENGINEER - HARDWARE SERVICES M. VALE HARDWARE SYSTEMS - TEST ENGINEER - COMPONENT ENGINEER M. YAN TEST PROCESS - HARDWARE RELEASE K. JABATAN DESIGNER G. GARCIA PTD ENGINEER N. GARLITOS CHECKER -	DATE 18SEP20 18SEP20 18SEP20 18SEP20 18SEP20 18SEP20 18SEP20	<h2 style="margin:0;">SCHEMATIC</h2> <p> HW TYPE : Customer Evaluation Z Product(s): ADAQ4020 : ADA4627 PACKAGE : LeadCount-lead BodySize PackageType-family : Pitch-pitch StyleVendor Style <User Define> <User Define> <User Define> </p>	 ANALOG DEVICES
MASTER PROJECT TEMPLATE: TBD TESTER TEMPLATE: no_template		DRAWING NO. 02_065908	REV. B
UNLESS OTHERWISE SPECIFIED DIMENSIONS ARE IN INCHES			
TOLERANCES			
DECIMALS X.XX +0.010 X.XXX +0.005	FRACTIONS +1/32	ANGLES +2	SIZE D SCALE 1:1 CODE ID NO. CodeID SHEET 1 OF 3

REVISIONS			
REV	DESCRIPTION	DATE	APPROVED



	SCHEMATIC		
	HW TYPE : Customer Evaluation Z Product(s) : ADAQ4020 : ADA4627		
DESIGN VIEW <DESIGN_VIEW>	DRAWING NO. 02_065908	REV B	
PTD ENGINEER N. GARLITOS	SIZE D	SCALE 1:1	SHEET 2 OF 3

REVISIONS			
REV	DESCRIPTION	DATE	APPROVED



MUX GAIN CONTROL SETTINGS

SYSTEM GAIN (V/V)	JUMPER CONFIG	
	A0	A1
0.545	OPEN	OPEN
0.908	SHORT	OPEN
2.27	OPEN	SHORT
4.54	SHORT	SHORT

	SCHEMATIC		
	HW TYPE : Customer Evaluation Z Product(s) : ADAQ4020 : ADA4627		
DESIGN VIEW <DESIGN_VIEW>	DRAWING NO. 02_065908	REV B	
PTD ENGINEER N. GARLITOS	SIZE D	SCALE 1:1	SHEET 3 OF 3

THIS DRAWING IS THE PROPERTY OF ANALOG DEVICES INC. IT IS NOT TO BE REPRODUCED OR COPIED IN WHOLE OR IN PART, OR USED IN ANY MANNER WITHOUT THE WRITTEN PERMISSION OF ANALOG DEVICES. THE EQUIPMENT SHOWN HEREIN MAY BE PROTECTED BY PATENTS OWNED OR CONTROLLED BY ANALOG DEVICES.