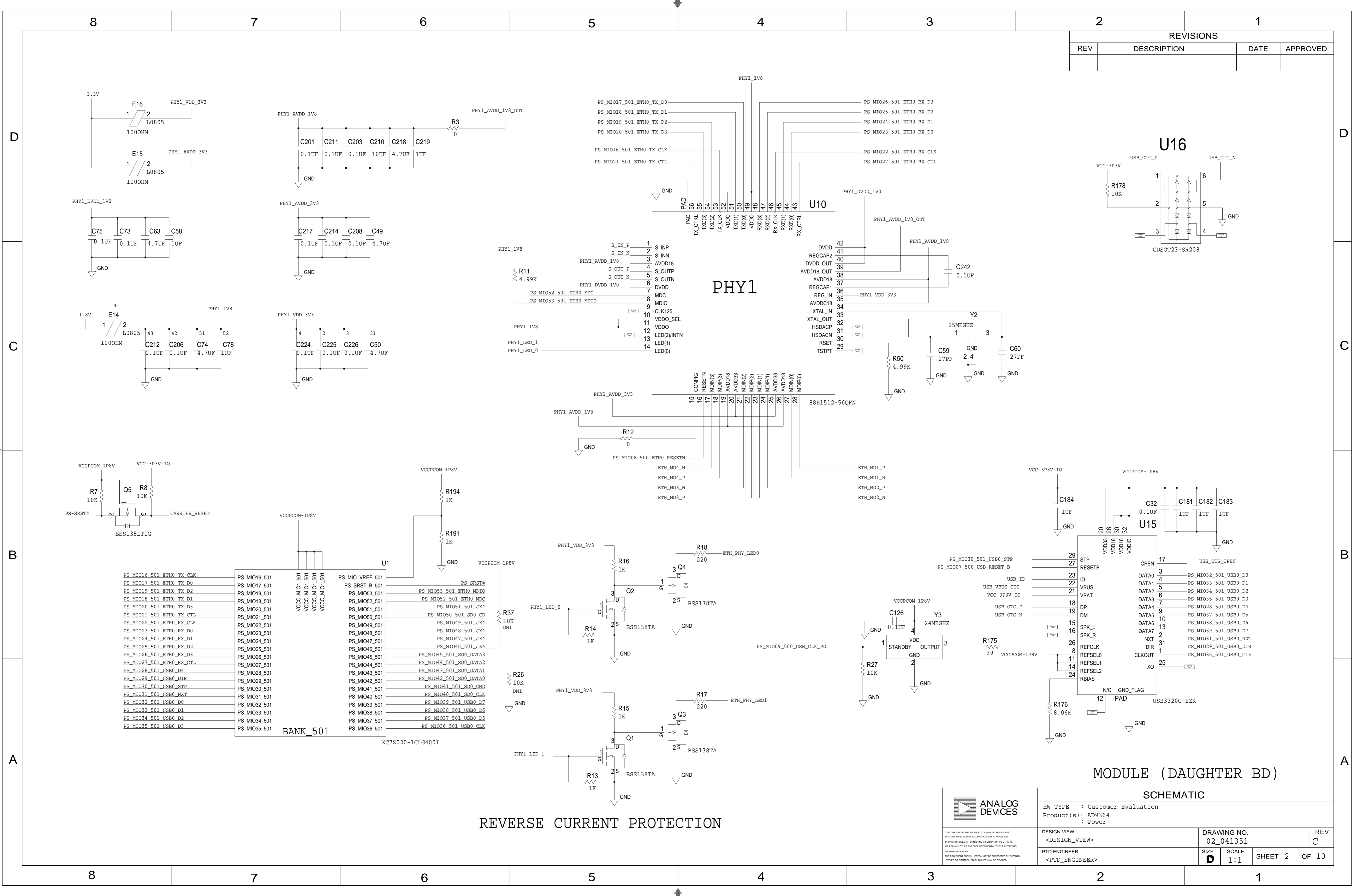


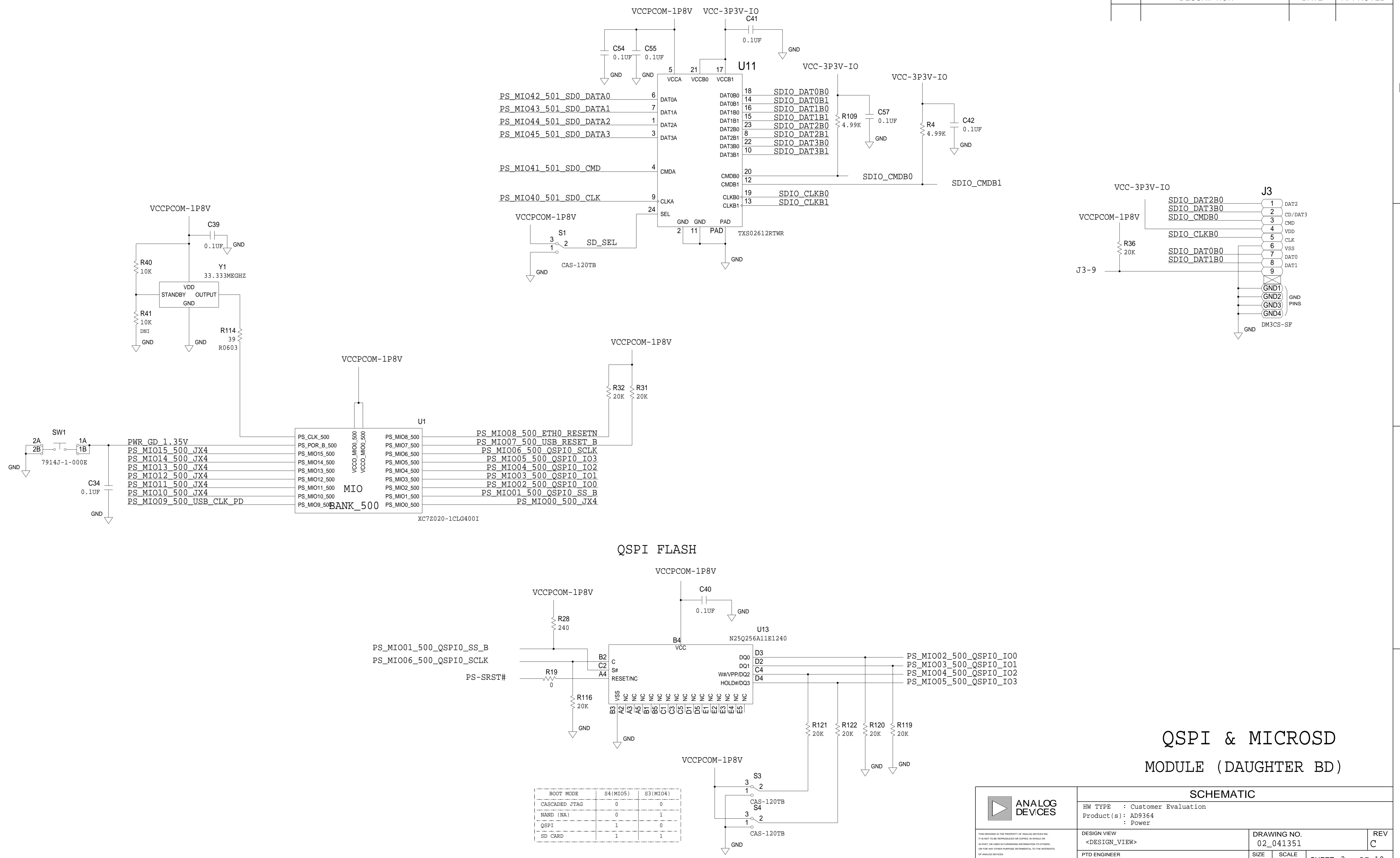
REVISIONS			
REV	DESCRIPTION	DATE	APPROVED



REVERSE CURRENT PROTECTION

	SCHEMATIC		
	HW TYPE : Customer Evaluation Product(s) : AD9364 : Power		
DESIGN VIEW <DESIGN_VIEW>	DRAWING NO. 02_041351	REV C	
PTD ENGINEER <PTD_ENGINEER>	SIZE D	SCALE 1:1	SHEET 2 OF 10

REVISIONS			
REV	DESCRIPTION	DATE	APPROVED



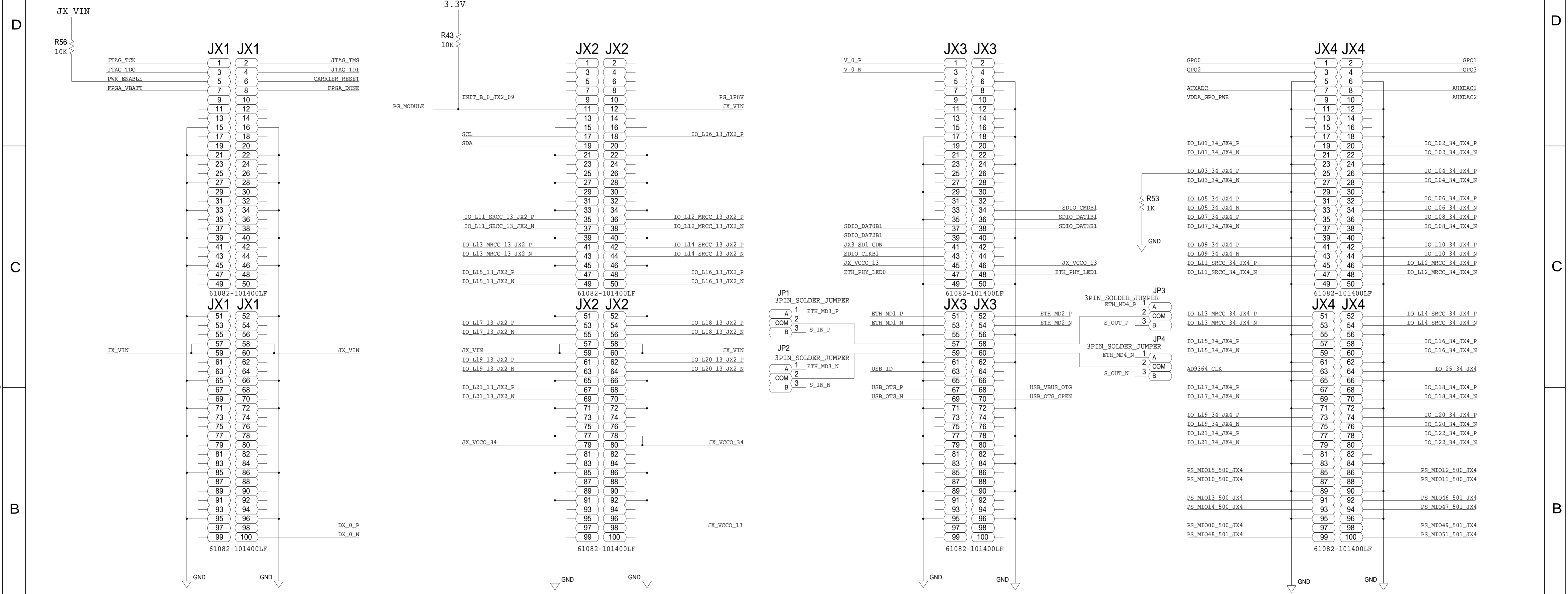
BOOT MODE	S4 (MIO5)	S3 (MIO4)
CASCADED JTAG	0	0
NAND (N/A)	0	1
QSPI	1	0
SD CARD	1	1

QSPI & MICROSD MODULE (DAUGHTER BD)

	SCHEMATIC		
	HW TYPE : Customer Evaluation Product(s): AD9364 : Power		
DESIGN VIEW <DESIGN_VIEW>	DRAWING NO. 02_041351	REV C	
PTD ENGINEER <PTD_ENGINEER>	SIZE D	SCALE 1:1	SHEET 3 OF 10

THIS DRAWING IS THE PROPERTY OF ANALOG DEVICES INC. IT IS NOT TO BE REPRODUCED OR COPIED, IN WHOLE OR IN PART, OR USED IN FURNISHING INFORMATION TO OTHERS, OR FOR ANY OTHER PURPOSE DETRIMENTAL TO THE INTERESTS OF ANALOG DEVICES. THE EQUIPMENT SHOWN HEREON MAY BE PROTECTED BY PATENTS OWNED OR CONTROLLED BY ANALOG DEVICES.

REVISIONS			
REV	DESCRIPTION	DATE	APPROVED

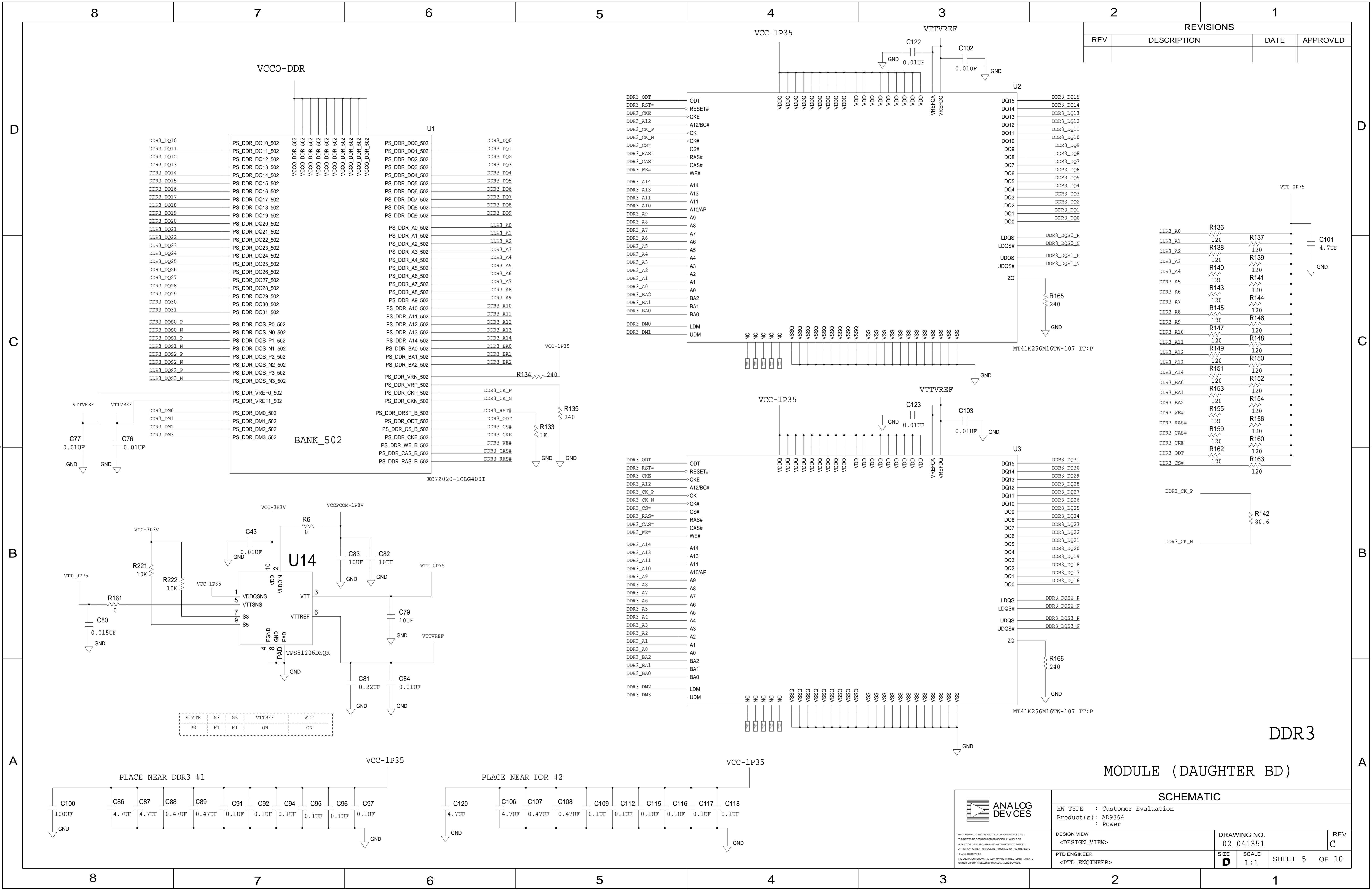


MODULE (DAUGHTER BD)

SCHEMATIC			
		HW TYPE : Customer Evaluation Product(s) : Ad9364 : Power	
DESIGN VIEW <DESIGN_VIEW>	DRAWING NO. 02_041351	REV C	
PTD ENGINEER <PTD_ENGINEER>	SIZE D	SCALE 1:1	SHEET 4 OF 10

THIS DRAWING IS THE PROPERTY OF ANALOG DEVICES INC. IT IS NOT TO BE REPRODUCED OR COPIED, IN WHOLE OR IN PART, OR USED IN FURNISHING INFORMATION TO OTHERS, OR FOR ANY OTHER PURPOSE DETRIMENTAL TO THE INTERESTS OF ANALOG DEVICES. THE EQUIPMENT SHOWN HEREON MAY BE PROTECTED BY PATENTS OWNED OR CONTROLLED BY ANALOG DEVICES.

REVISIONS			
REV	DESCRIPTION	DATE	APPROVED



STATE	S3	S5	VTTREF	VTT
S0	HI	HI	ON	ON

SCHEMATIC			
HW TYPE : Customer Evaluation		Product(s) : AD9364	
DESIGN VIEW : <DESIGN_VIEW>		DRAWING NO. : 02_041351	
PTD ENGINEER : <PTD_ENGINEER>		SIZE : D	SCALE : 1:1
		SHEET : 5	OF : 10

ANALOG DEVICES

THIS DRAWING IS THE PROPERTY OF ANALOG DEVICES INC. IT IS NOT TO BE REPRODUCED OR COPIED, IN WHOLE OR IN PART, OR USED IN FURNISHING INFORMATION TO OTHERS, OR FOR ANY OTHER PURPOSE DETRIMENTAL TO THE INTERESTS OF ANALOG DEVICES. THE EQUIPMENT SHOWN HEREIN MAY BE PROTECTED BY PATENTS OWNED OR CONTROLLED BY ANALOG DEVICES.

DDR3

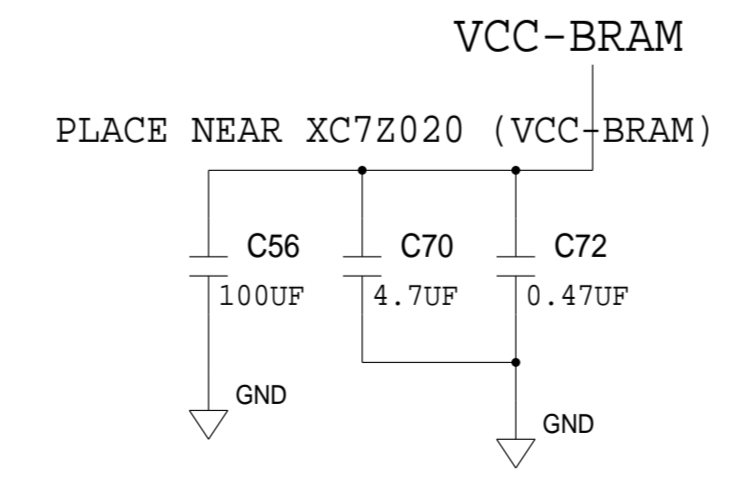
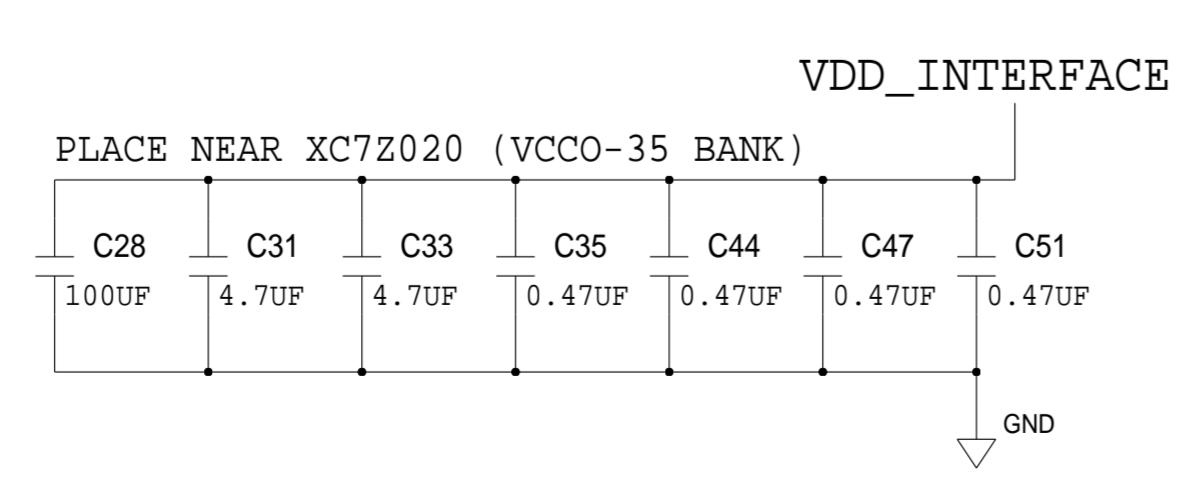
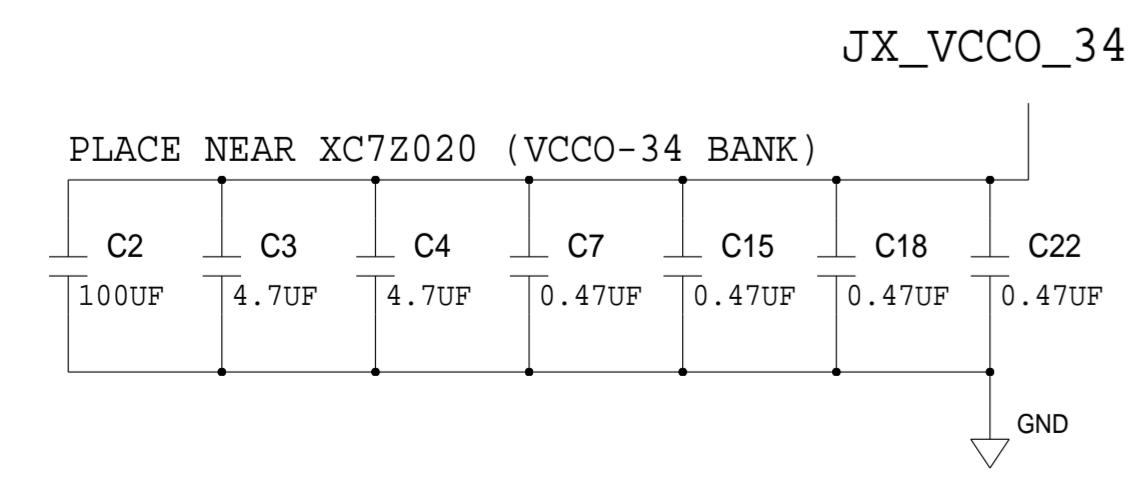
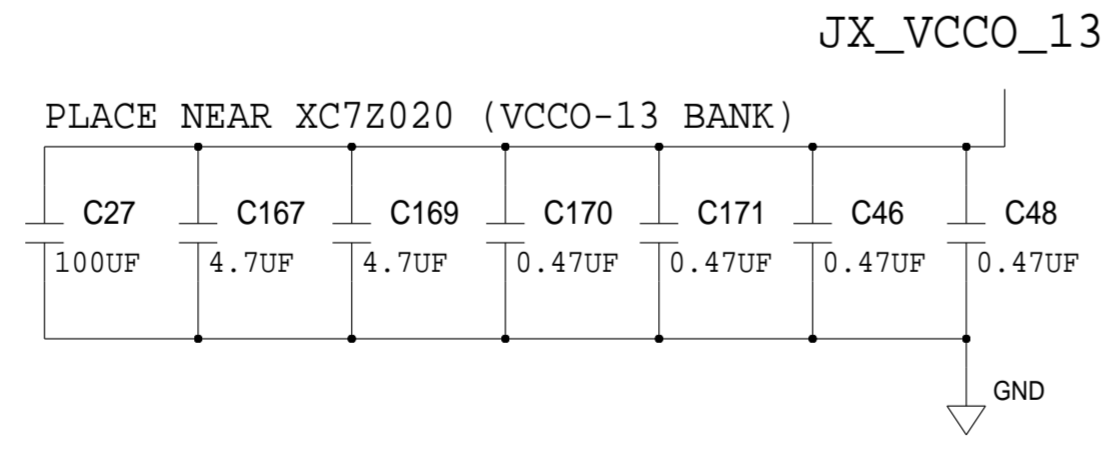
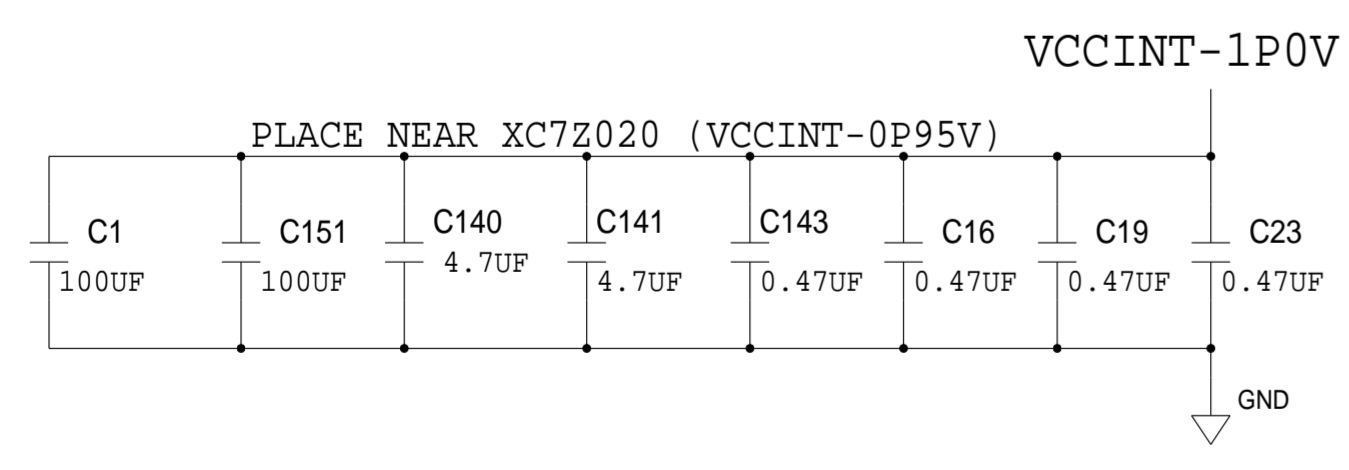
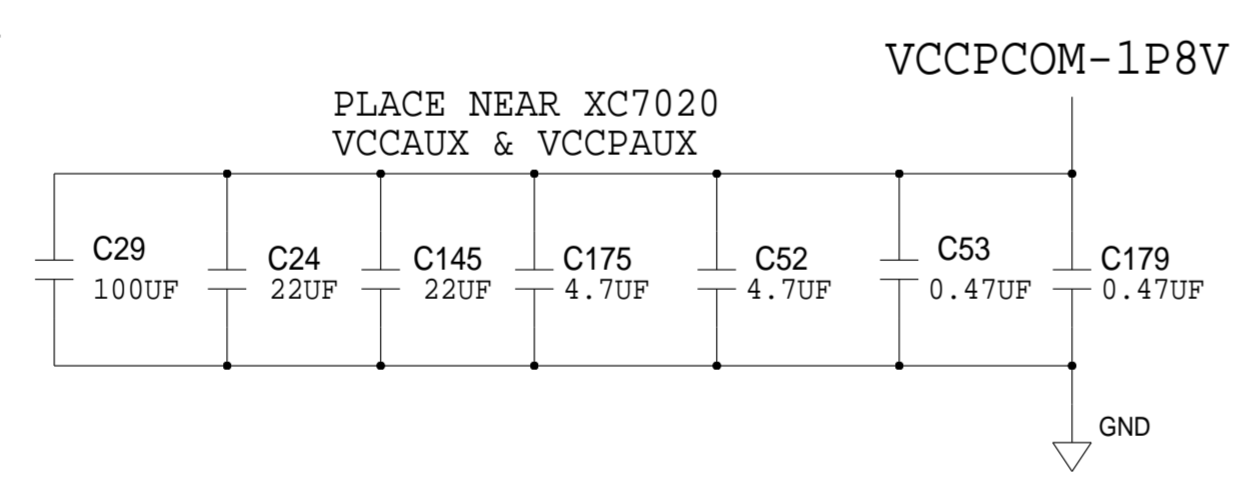
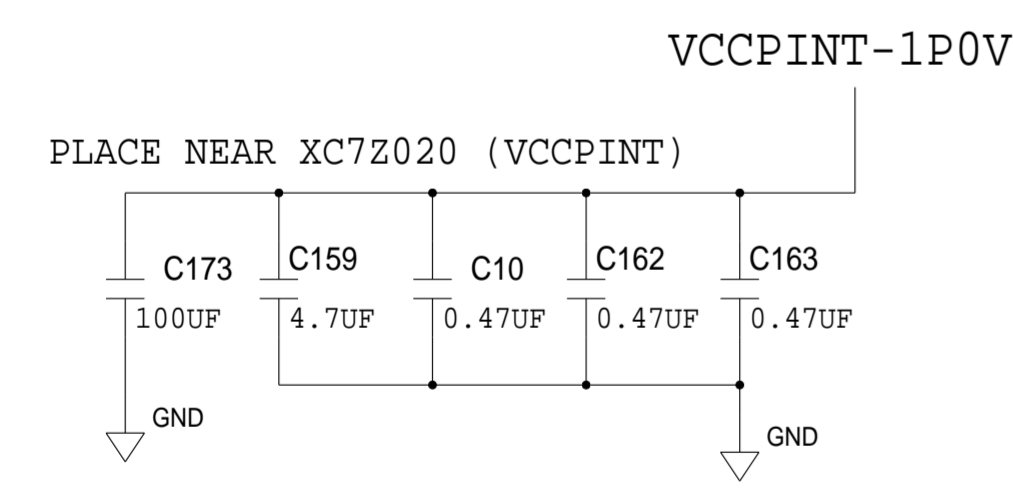
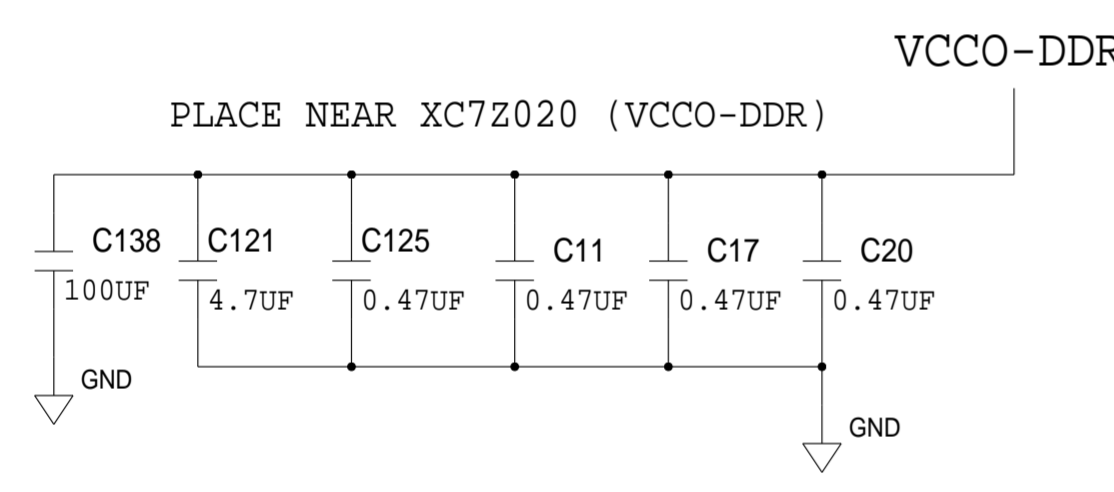
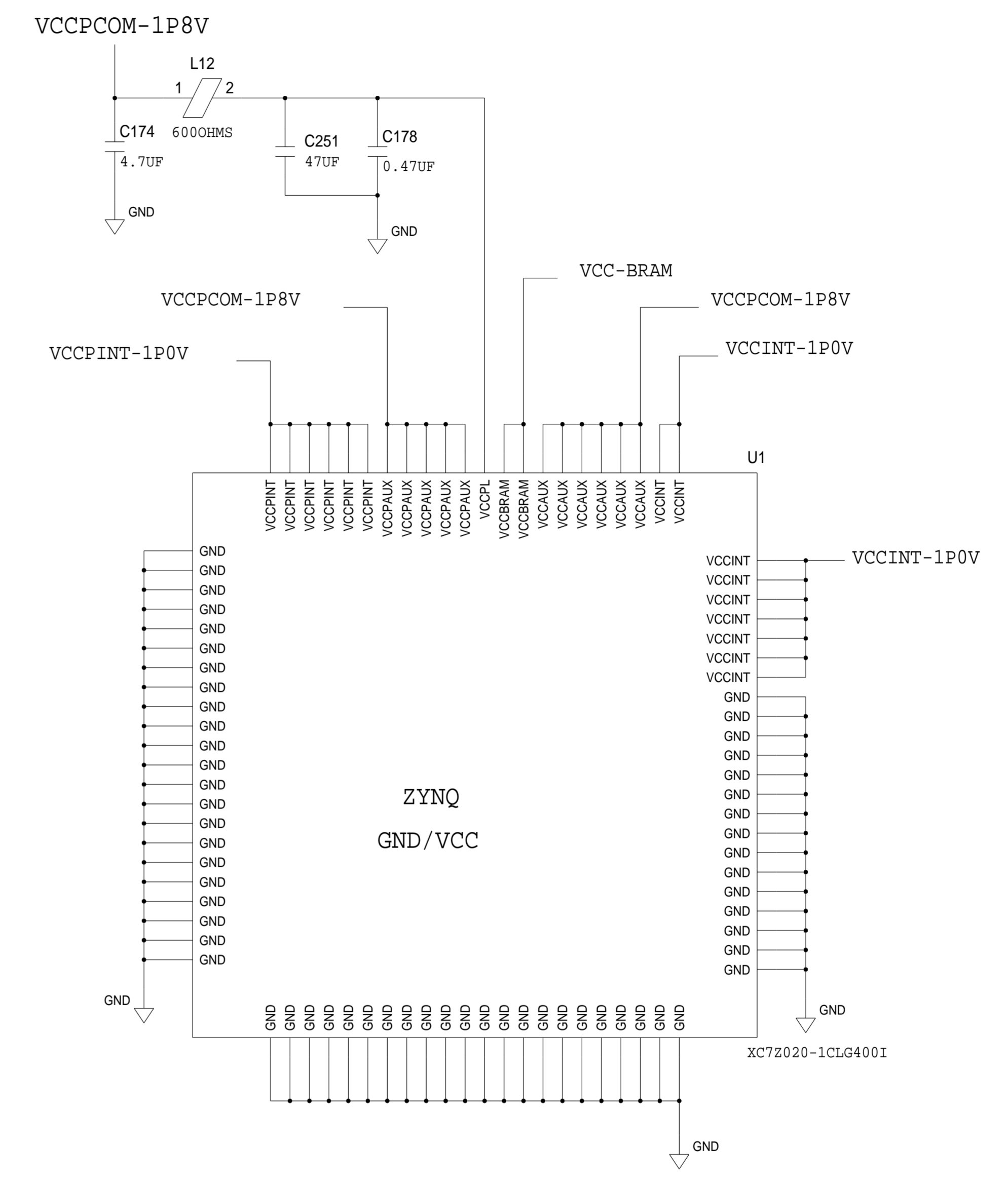
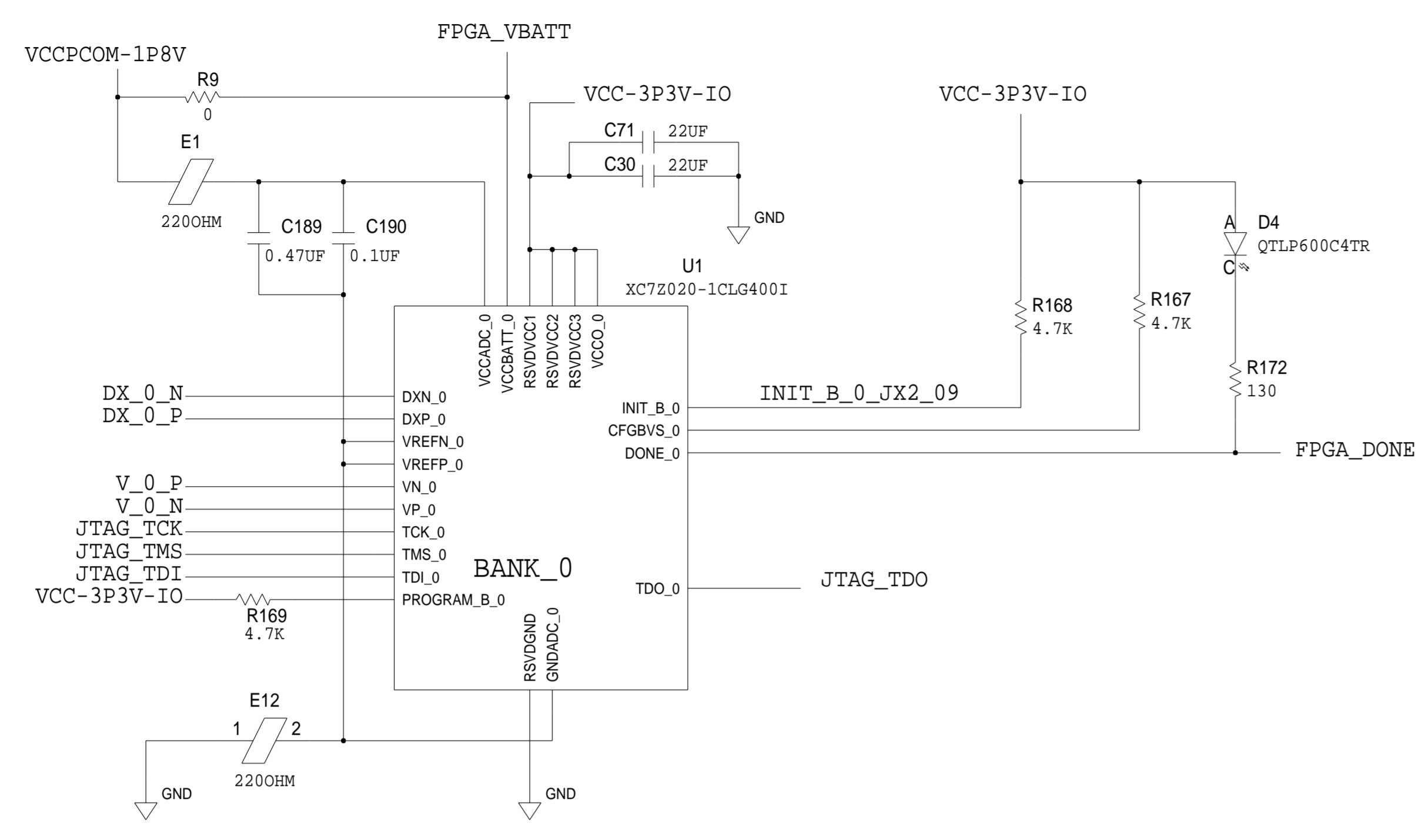
MODULE (DAUGHTER BD)

DDR3

PLACE NEAR DDR3 #1

PLACE NEAR DDR #2

REVISIONS			
REV	DESCRIPTION	DATE	APPROVED

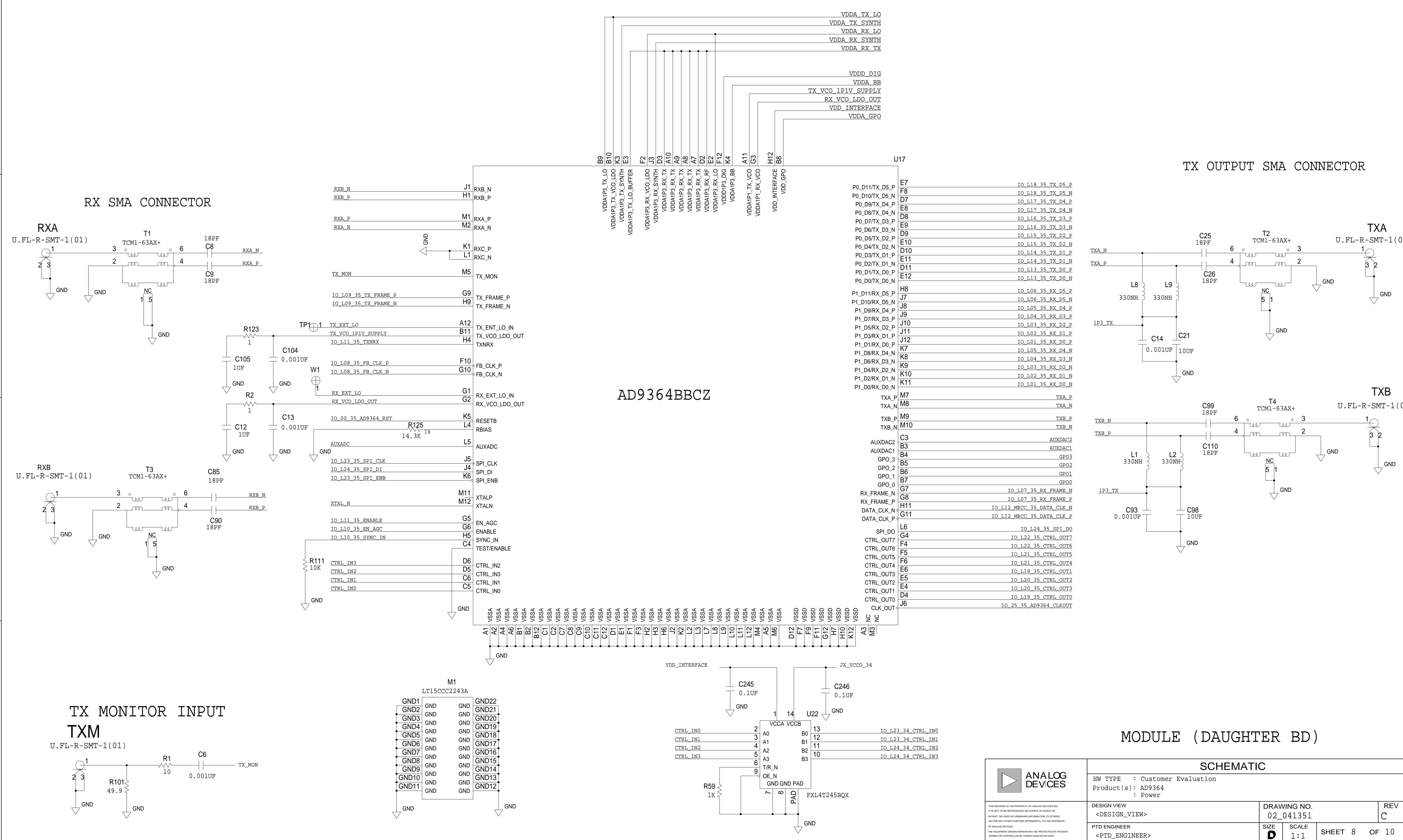


XILINX

MODULE (DAUGHTER BD)

ANALOG DEVICES		SCHEMATIC		
<small>THIS DRAWING IS THE PROPERTY OF ANALOG DEVICES INC. IT IS NOT TO BE REPRODUCED OR COPIED, IN WHOLE OR IN PART, OR USED FOR ANY OTHER PURPOSES WITHOUT THE WRITTEN PERMISSION OF ANALOG DEVICES. THE EQUIPMENT SHOWN HEREIN MAY BE PROTECTED BY PATENTS OWNED OR CONTROLLED BY ANALOG DEVICES.</small>		HW TYPE : Customer Evaluation Product(s) : AD9364 : Power		
DESIGN VIEW	<DESIGN_VIEW>	DRAWING NO.	02_041351	REV
PTD ENGINEER	<PTD_ENGINEER>	SIZE	D	SCALE
		1:1	SHEET 6	OF 10

REVISIONS			
REV	DESCRIPTION	DATE	APPROVED



SCHEMATIC			
HW TYPE	Customer Evaluation		
Product(s)	AD9364		
	Power		
DESIGN VIEW	<DESIGN_VIEW>	DRAWING NO.	02_041351
PTD ENGINEER	<PTD_ENGINEER>	SCALE	1:1
		SHEET	8 OF 10
		REV	C

ANALOG DEVICES

THIS DRAWING IS THE PROPERTY OF ANALOG DEVICES INC. IT IS NOT TO BE REPRODUCED OR COPIED, IN WHOLE OR IN PART, OR USED IN ANY MANNER WITHOUT THE WRITTEN PERMISSION OF ANALOG DEVICES. THE EQUIPMENT SHOWN HEREIN MAY BE PROTECTED BY PATENTS OWNED OR CONTROLLED BY ANALOG DEVICES.

MODULE (DAUGHTER BD)

AD9364BBCZ

TX OUTPUT SMA CONNECTOR

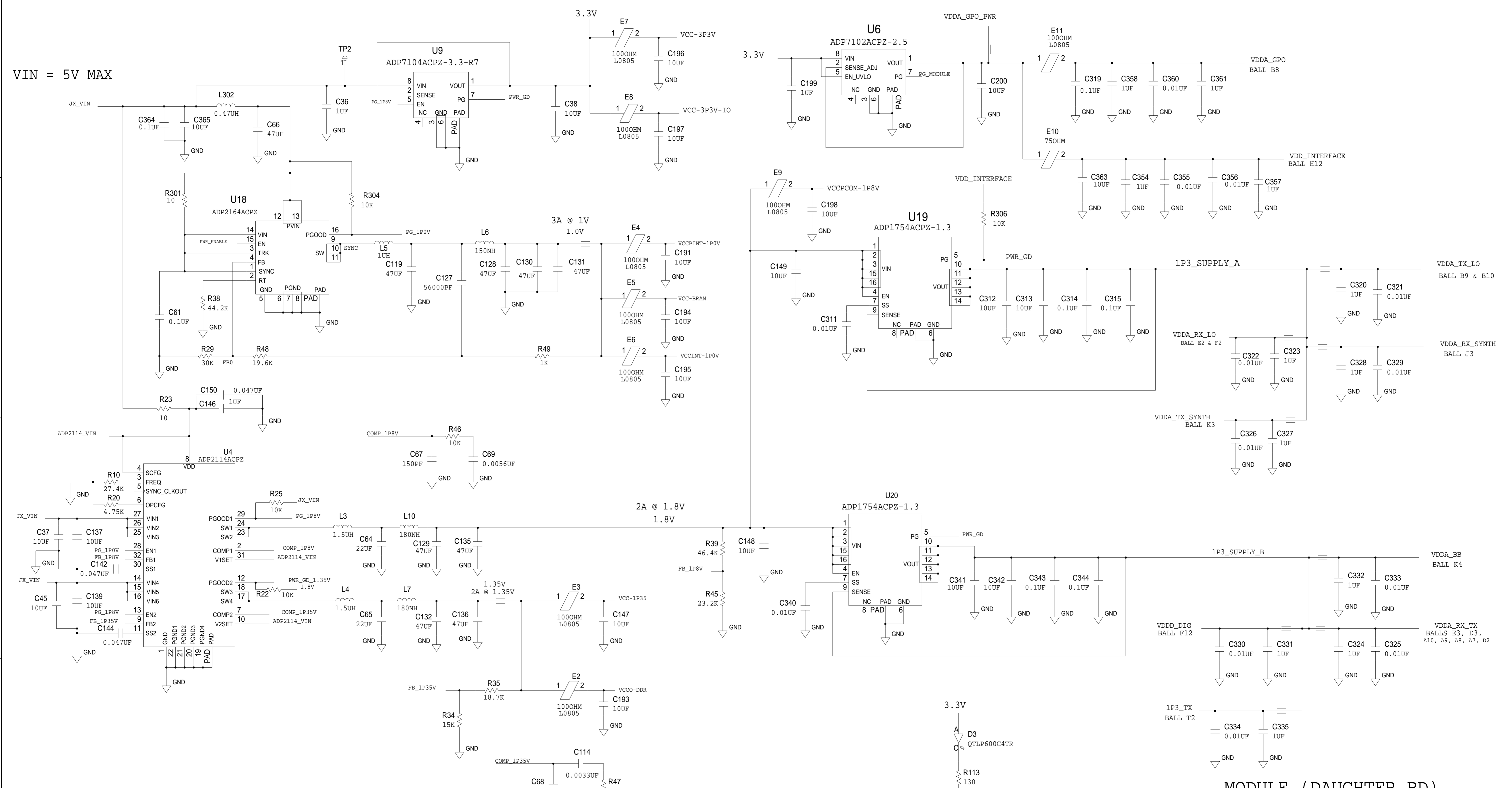
RX SMA CONNECTOR

TX MONITOR INPUT TXM

POWER MANAGEMENT SECTION

REVISIONS			
REV	DESCRIPTION	DATE	APPROVED

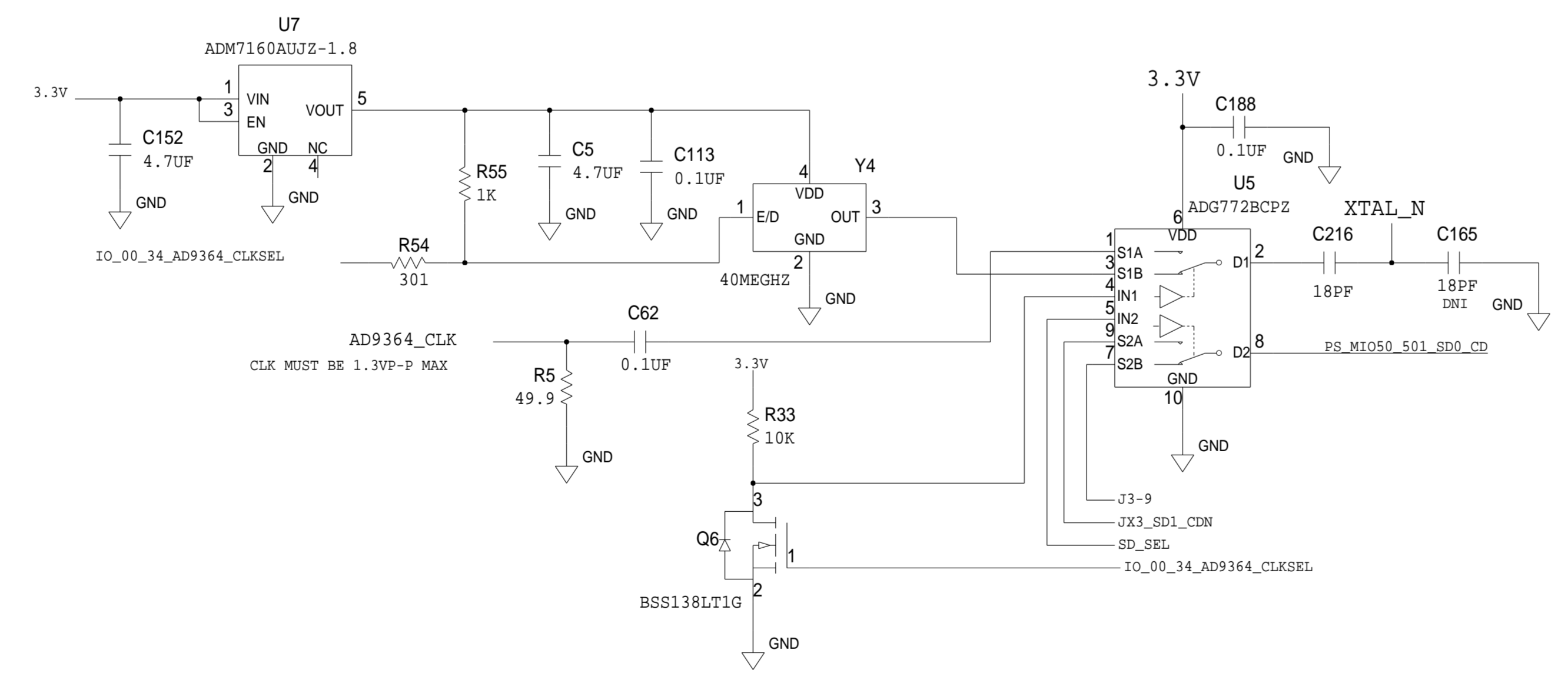
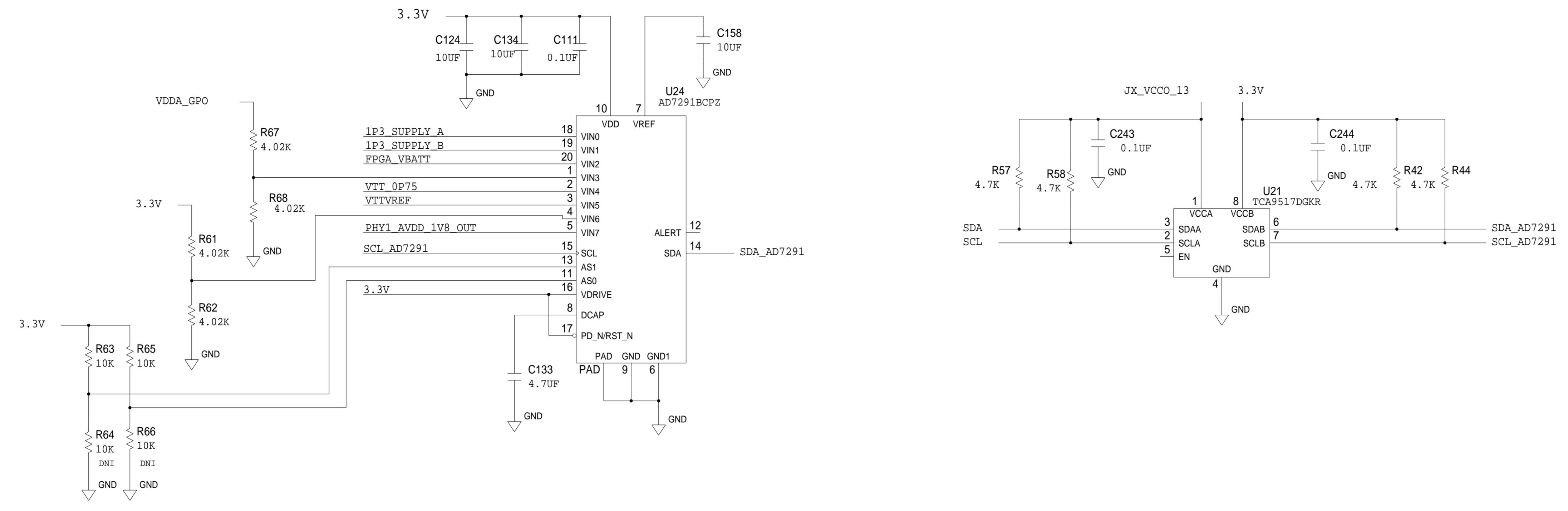
VIN = 5V MAX



MODULE (DAUGHTER BD)

SCHEMATIC			
HW TYPE : Customer Evaluation		Product(s) : AD9364	
DESIGN VIEW : <DESIGN_VIEW>		DRAWING NO. : 02_041351	
PTD ENGINEER : <PTD_ENGINEER>		SIZE : D	SCALE : 1:1
		SHEET : 9	OF : 10

REVISIONS			
REV	DESCRIPTION	DATE	APPROVED



ANALOG DEVICES			
HW TYPE : Customer Evaluation Product(s) : AD9364 : Power		SCHEMATIC	
DESIGN VIEW <DESIGN_VIEW>	DRAWING NO. 02_041351	REV C	
PTD ENGINEER <PTD_ENGINEER>	SIZE D	SCALE 1:1	SHEET 10 OF 10