

8 7 6 5 4 3 2 1

THIS DRAWING IS THE PROPERTY OF ANALOG DEVICES INC. IT IS NOT TO BE REPRODUCED OR COPIED, IN WHOLE OR IN PART, OR USED IN FURNISHING INFORMATION TO OTHERS, OR FOR ANY OTHER PURPOSE DETRIMENTAL TO THE INTERESTS OF ANALOG DEVICES. THE EQUIPMENT SHOWN HEREON MAY BE PROTECTED BY PATENTS OWNED OR CONTROLLED BY ANALOG DEVICES.

RELAY CONTROL CHART

CONTROL	CODE	DEVICE	FUNCTION	CONNECTOR

JUMPER TABLE		
JP#	ON	OFF
1		
2		
3		
4		
5		

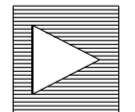
* SEE ASSEMBLY INSTRUCTIONS

REVISIONS			
REV	DESCRIPTION	DATE	APPROVED
A	INITIAL RELEASE	18OCT21	J.MENDIA

ADE9430 LQFP CUSTOMER EVALUATION BOARD Z
EVAL-ADE9430ARSDZ

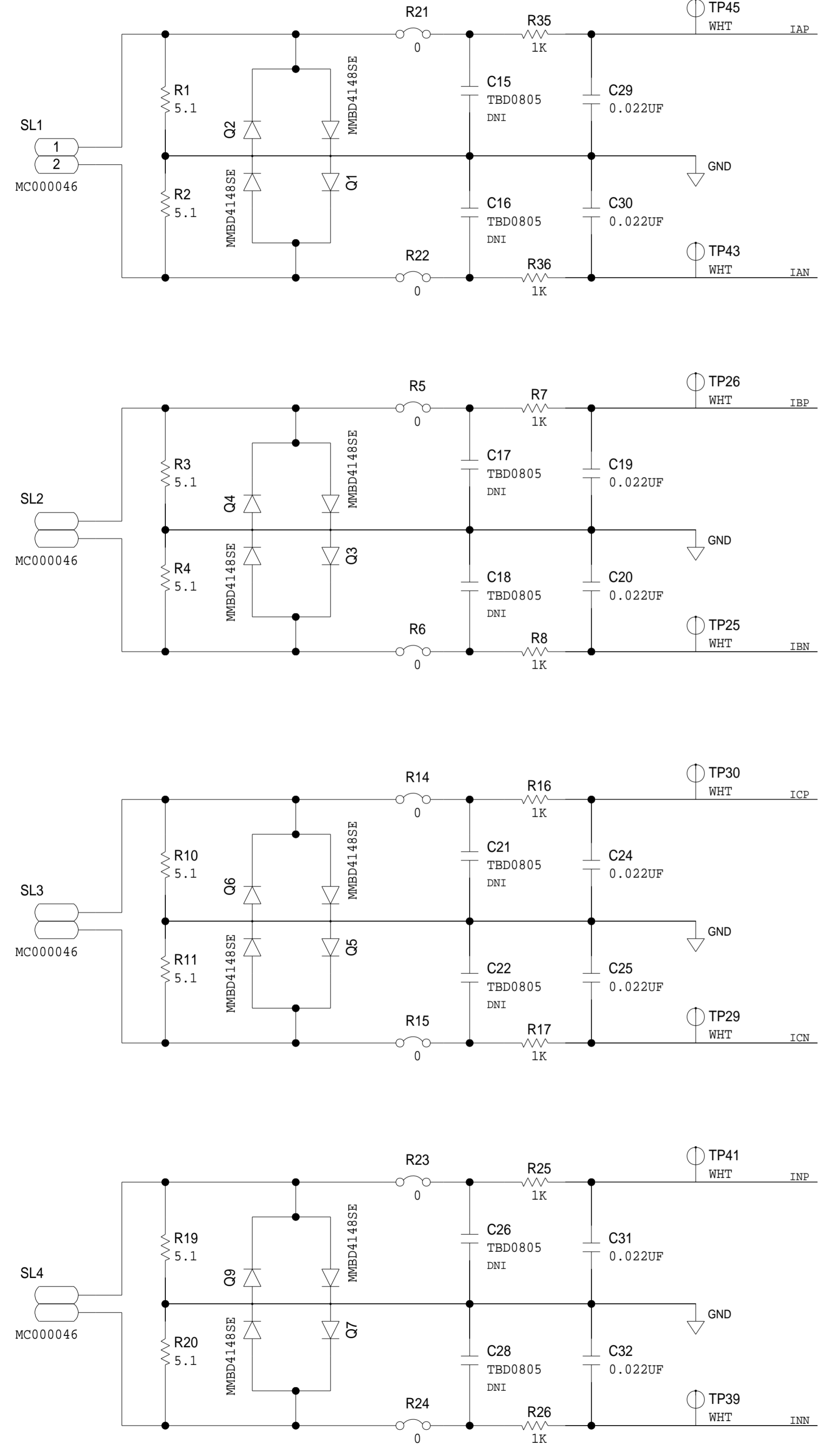
P.O SPEC.	BK/BD SPEC.	SOCKET OEM	OEM PART#	HANDLER

8 7 6 5 4 3 2 1

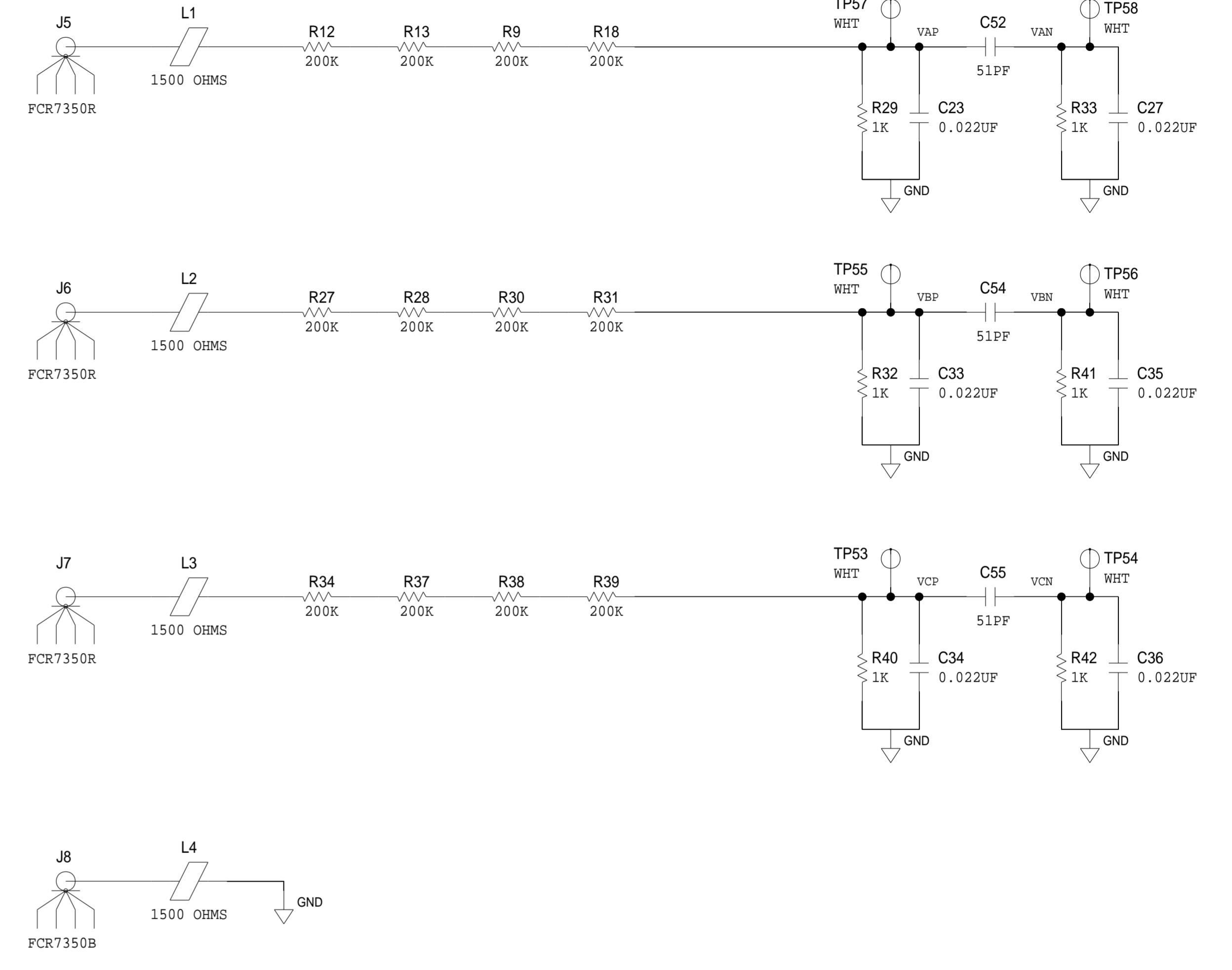
TEMPLATE ENGINEER - HARDWARE SERVICES E.CONDA HARDWARE SYSTEMS - TEST ENGINEER - COMPONENT ENGINEER M.YAN TEST PROCESS - HARDWARE RELEASE E.CONDA DESIGNER P.CORDERO PTD ENGINEER J.MENDIA CHECKER -	DATE 18OCT21 18OCT21 18OCT21 18OCT21 18OCT21	SCHEMATIC <small>HW TYPE : Customer Evaluation Z</small> <small>Product(s) : ADE9430</small> <small>: ADE9430ARSDZ</small> <small>PACKAGE : 40-lead N/A LQFP-family</small> <small>: Pitch-pitch StyleVendor Style</small> <small><User Define></small> <small><User Define></small> <small><User Define></small>	 ANALOG DEVICES
<small>UNLESS OTHERWISE SPECIFIED DIMENSIONS ARE IN INCHES</small> TOLERANCES <small>DECIMALS X.XX +0.010 X.XXX +0.005</small> <small>FRACTIONS +1/32</small> <small>ANGLES +2</small>		MASTER PROJECT TEMPLATE TBD TESTER TEMPLATE 066234_a DRAWING NO. 02_068967 REV. A	SIZE D SCALE 1:1 CODE ID NO. CodeID SHEET 1 OF 6

REVISIONS			
REV	DESCRIPTION	DATE	APPROVED

CURRENT CHANNELS

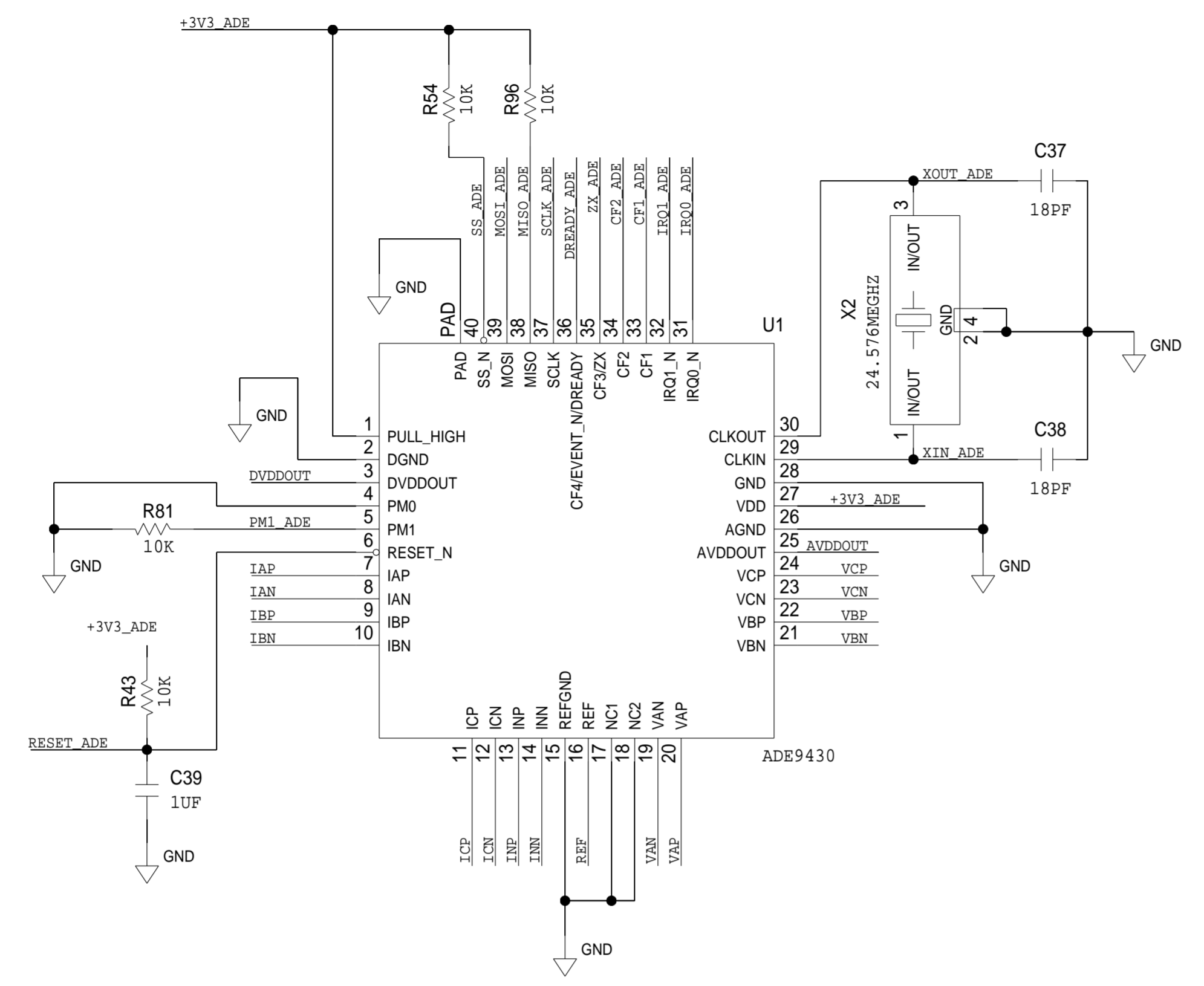


VOLTAGE CHANNELS

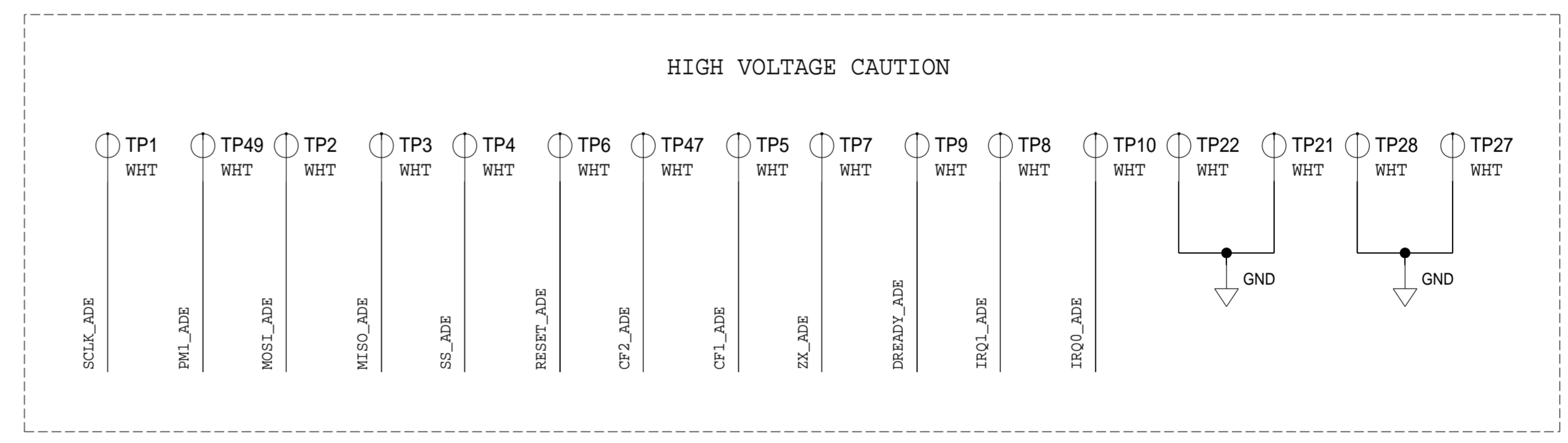
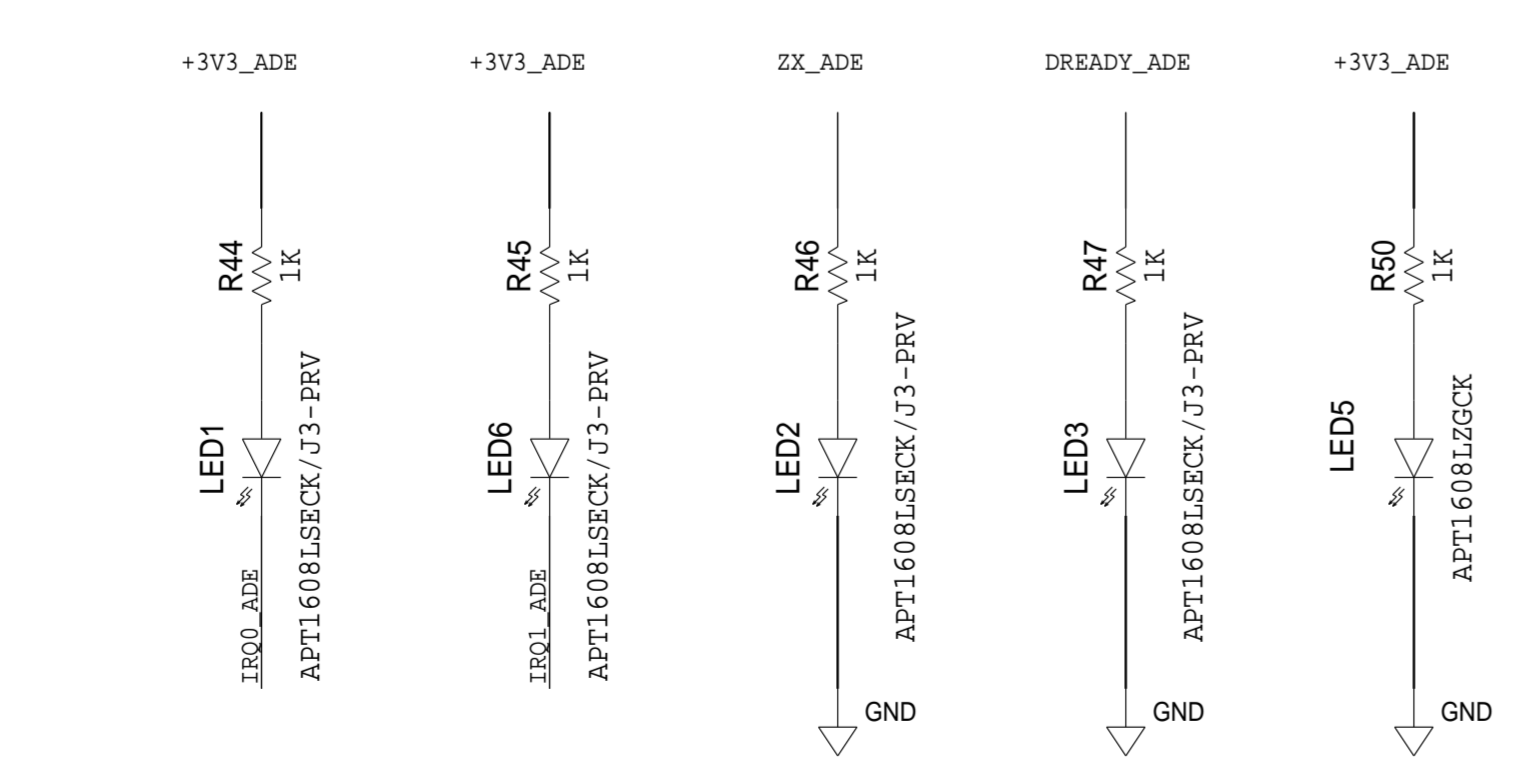
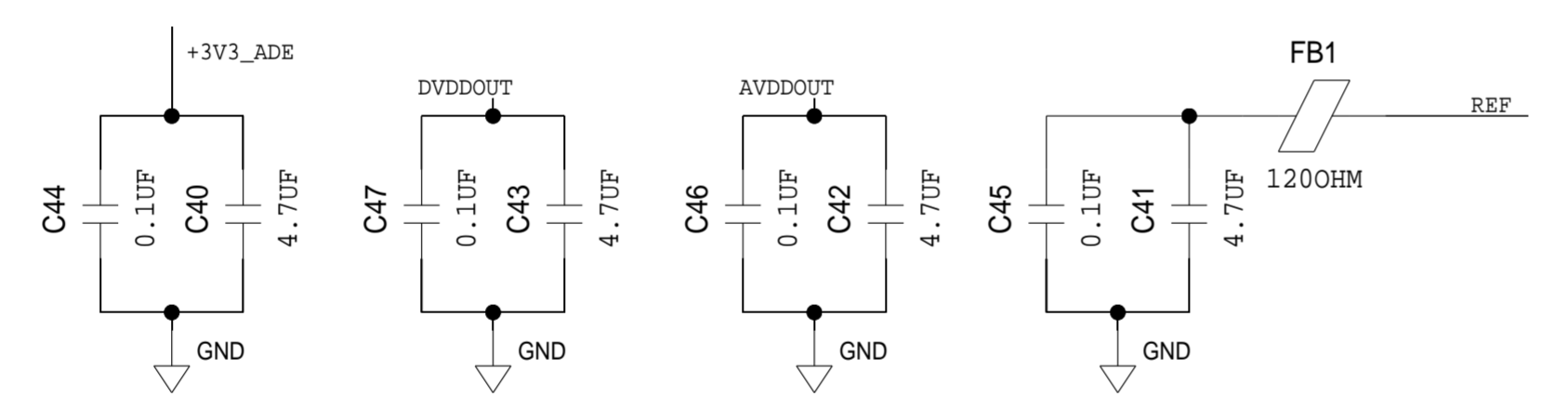


	SCHEMATIC		
	HW TYPE : Customer Evaluation Z Product(s) : ADE9430 : ADE9430ARSDZ		
	DESIGN VIEW <DESIGN_VIEW>	DRAWING NO. 02_068967	REV A
	PTD ENGINEER J. MENDIA	SIZE D	SCALE 1:1
SHEET 2 OF 6			

REVISIONS			
REV	DESCRIPTION	DATE	APPROVED

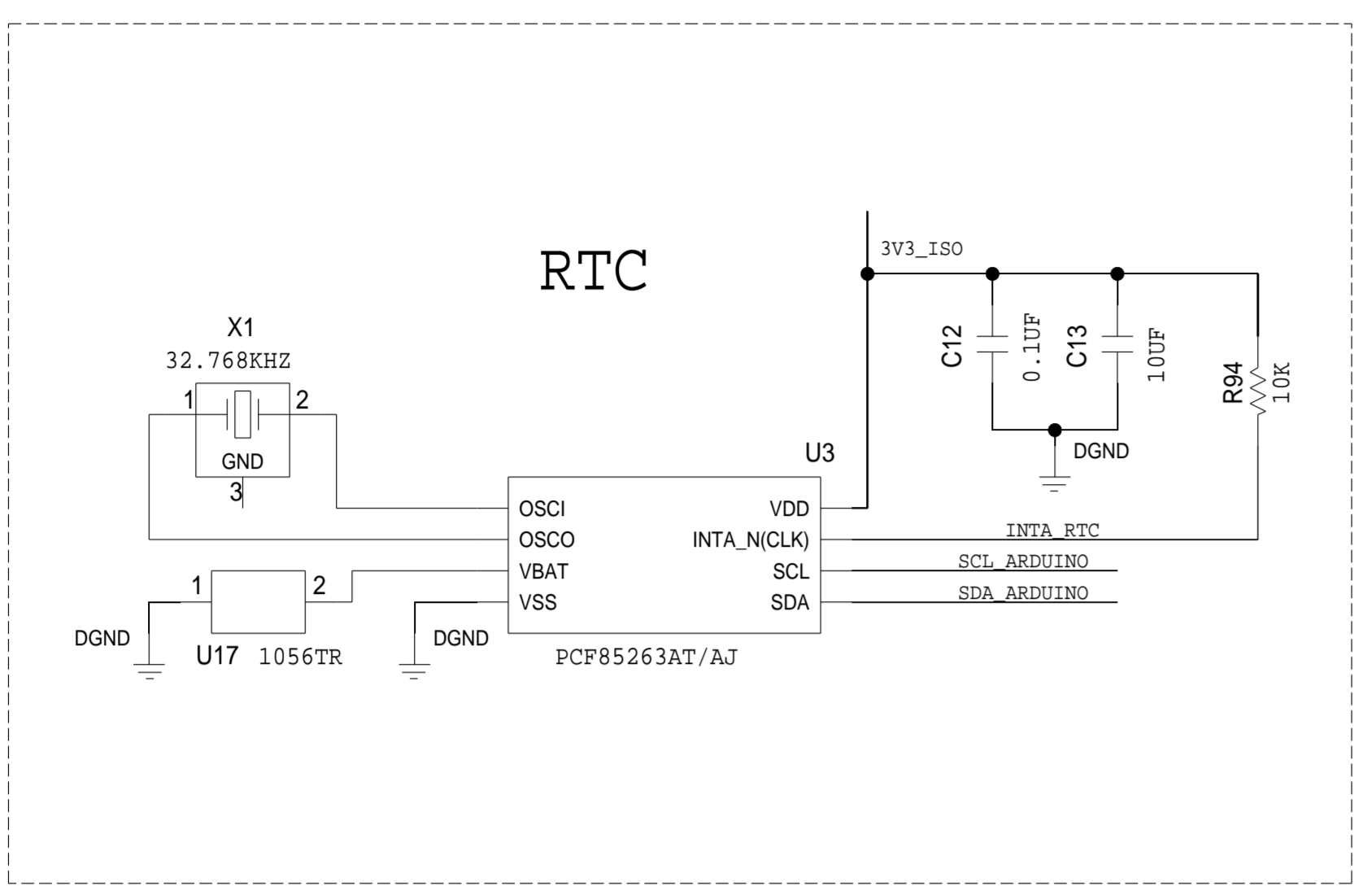


PLACE DECOUPLING CAPS CLOSE TO IC PINS

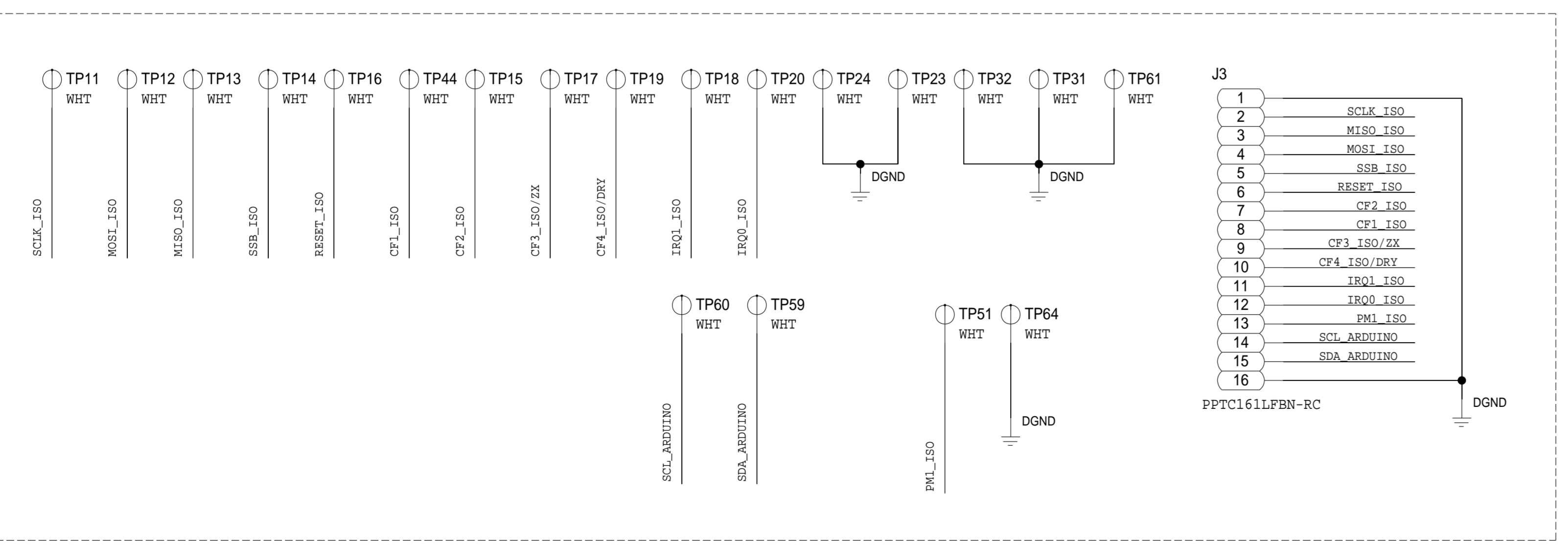
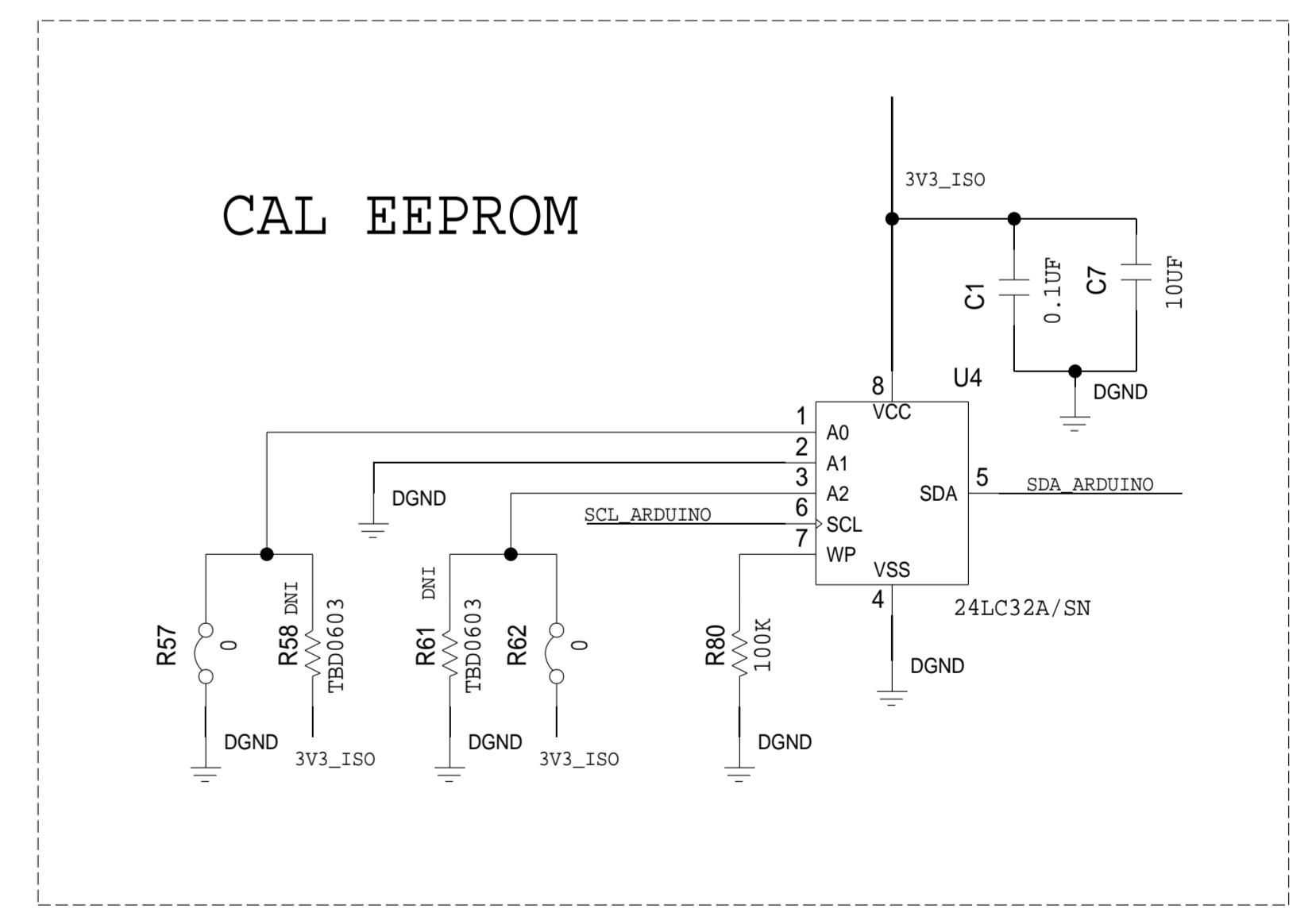
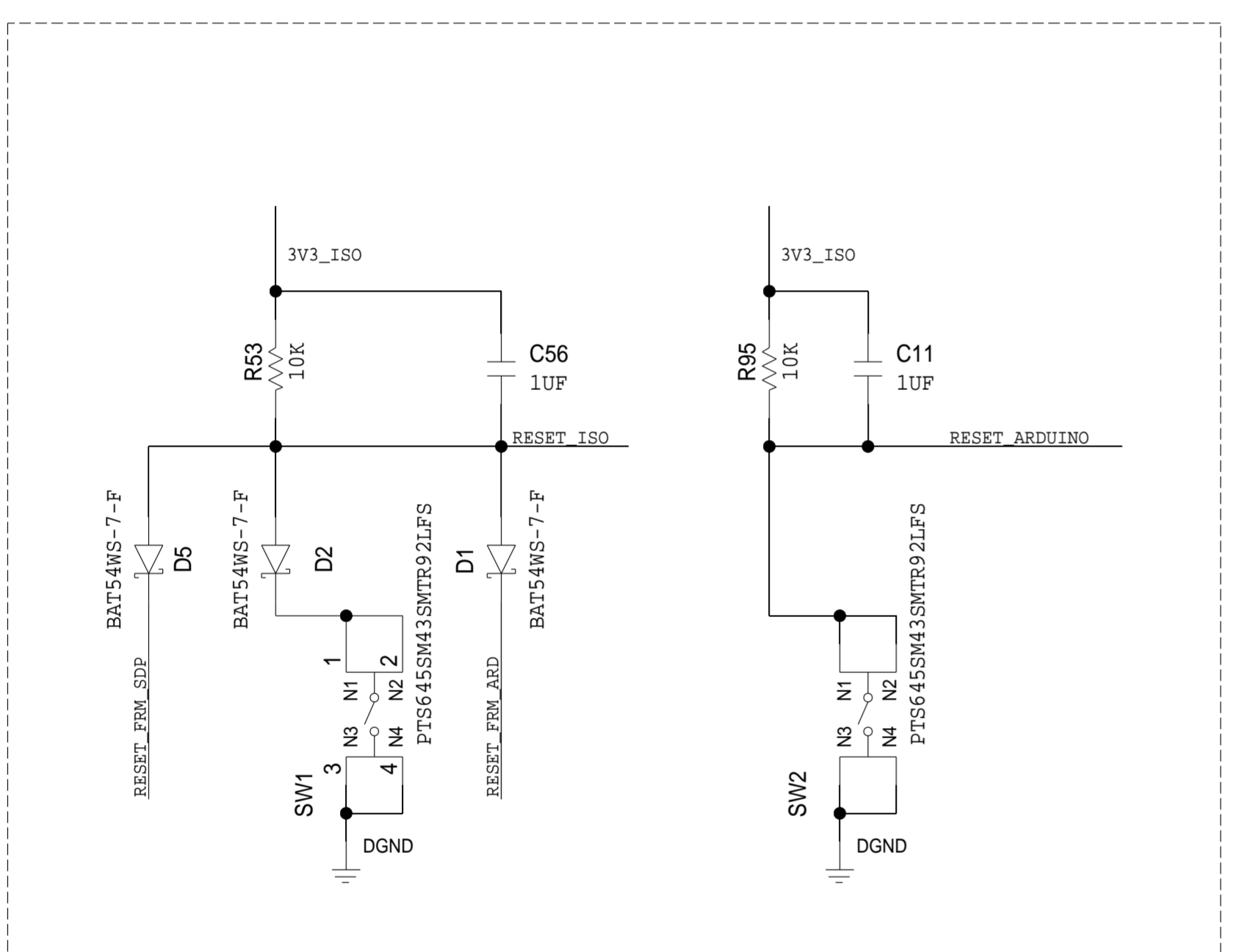
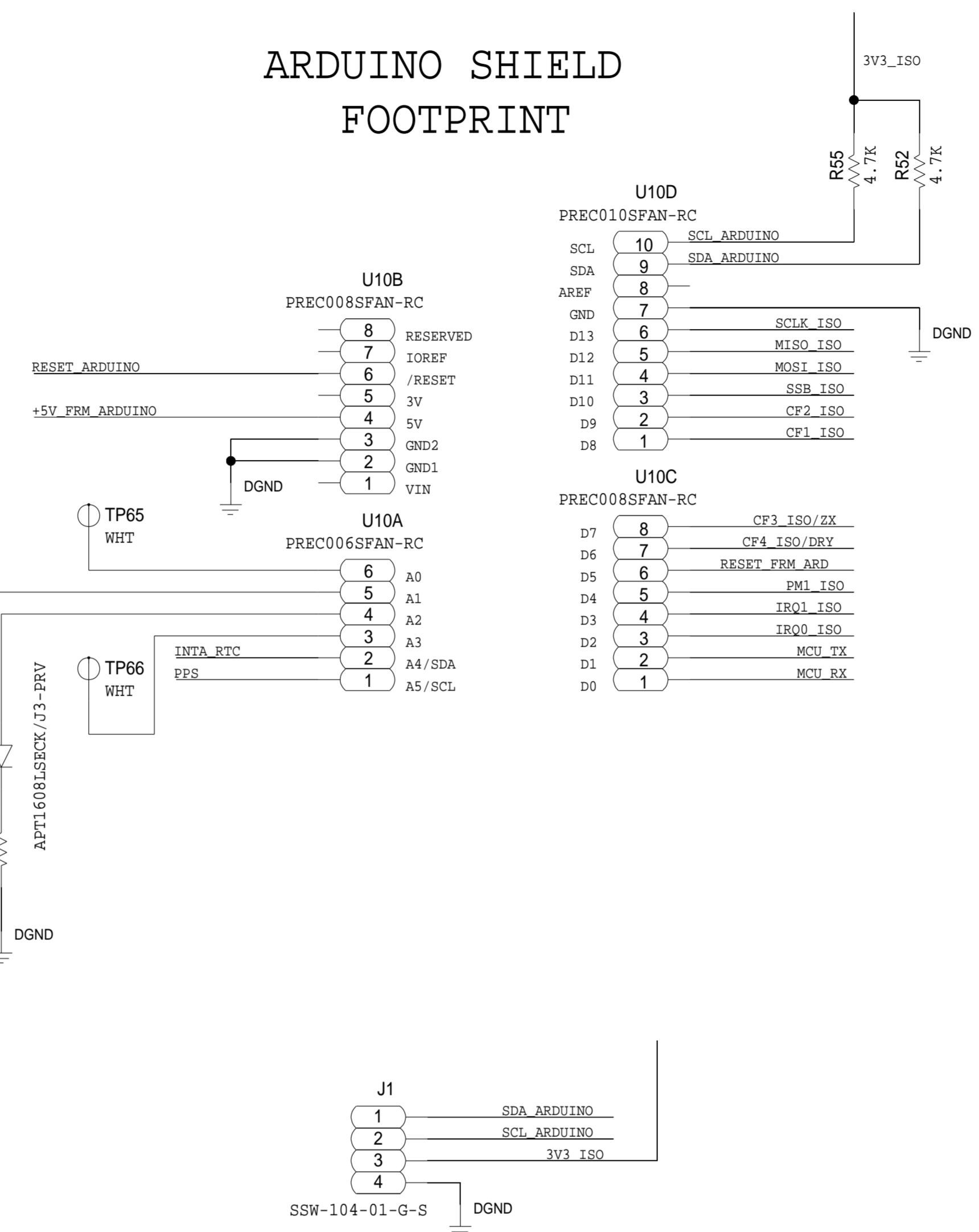


ANALOG DEVICES		SCHEMATIC	
<small>THIS DRAWING IS THE PROPERTY OF ANALOG DEVICES INC. IT IS NOT TO BE REPRODUCED OR COPIED, IN WHOLE OR IN PART, OR USED IN ANY MANNER WITHOUT THE WRITTEN PERMISSION OF ANALOG DEVICES. THE EQUIPMENT SHOWN HEREIN MAY BE PROTECTED BY PATENTS OWNED OR CONTROLLED BY ANALOG DEVICES.</small>		HW TYPE : Customer Evaluation Z Product(s) : ADE9430 : ADE9430ARSDZ	REV A
DESIGN VIEW <DESIGN_VIEW>		DRAWING NO. 02_068967	SHEET 3 OF 6
PTD ENGINEER J. MENDIA		SIZE D	SCALE 1:1

REVISIONS			
REV	DESCRIPTION	DATE	APPROVED



ARDUINO SHIELD FOOTPRINT

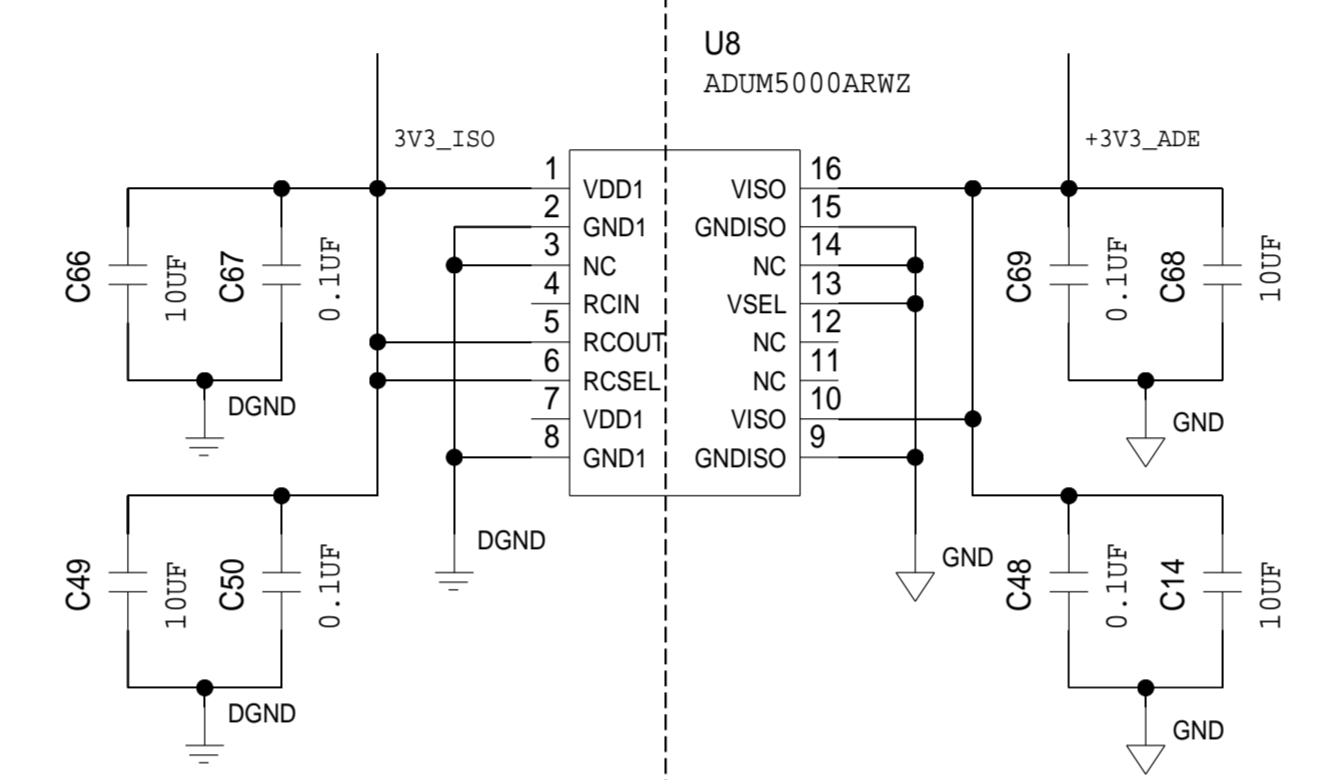
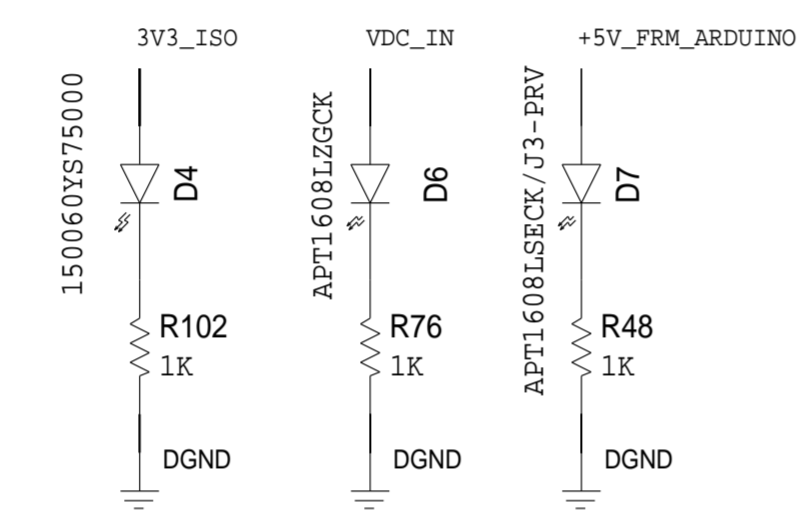
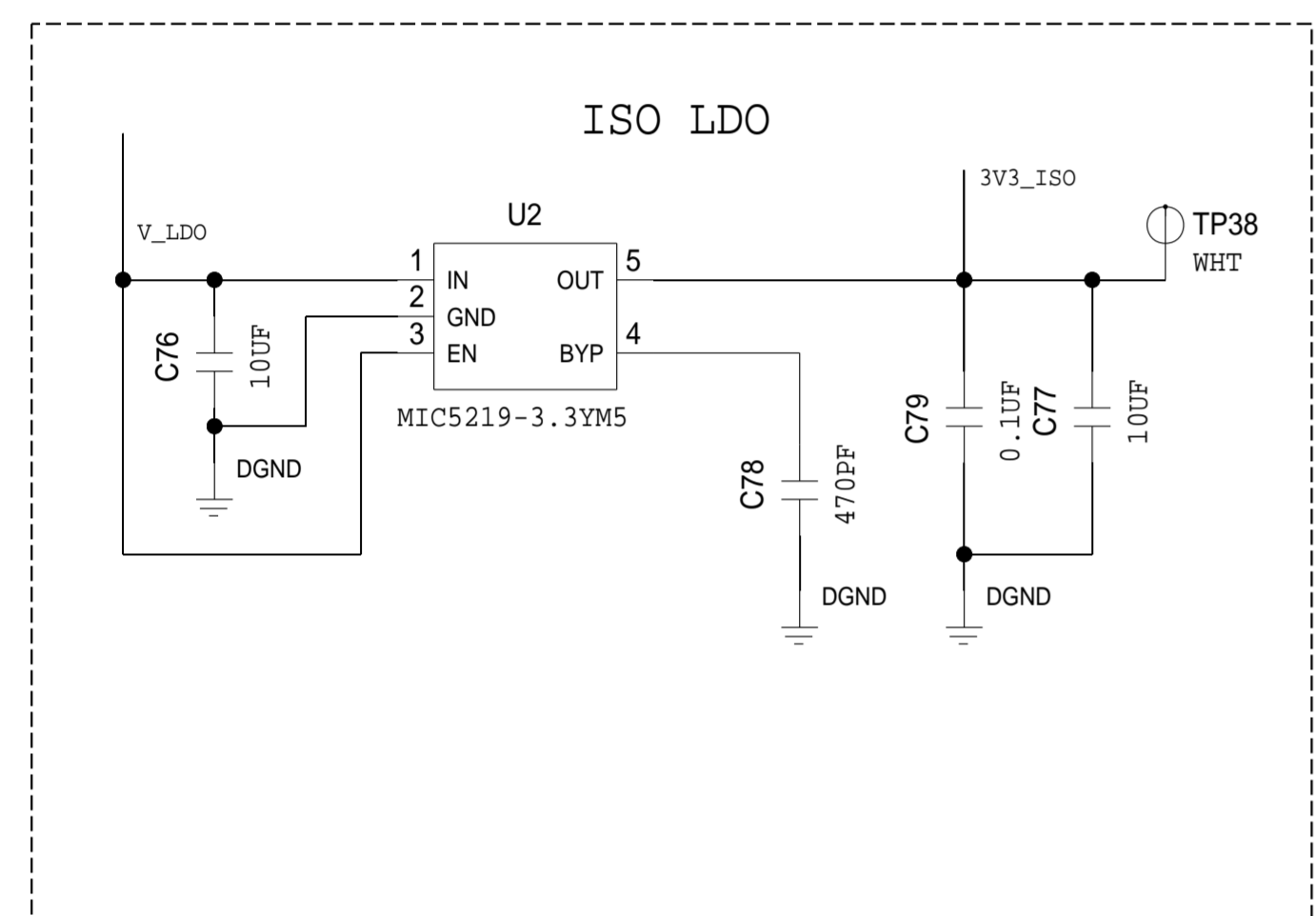
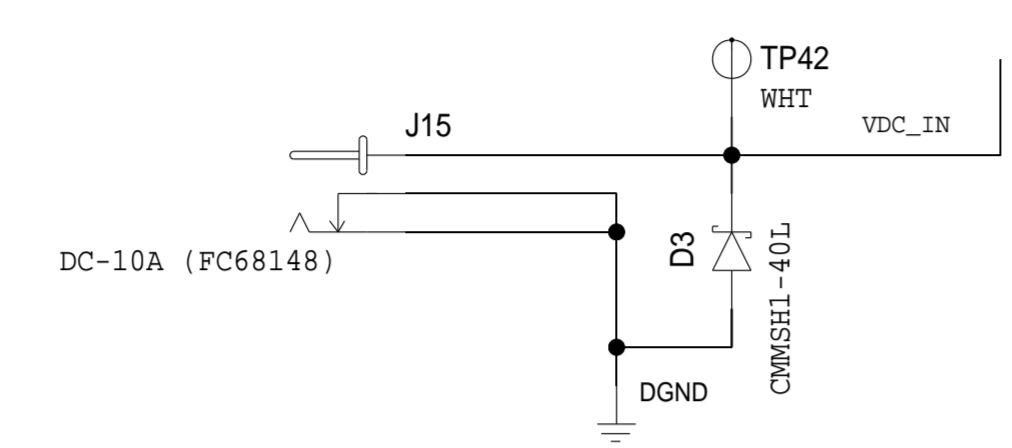
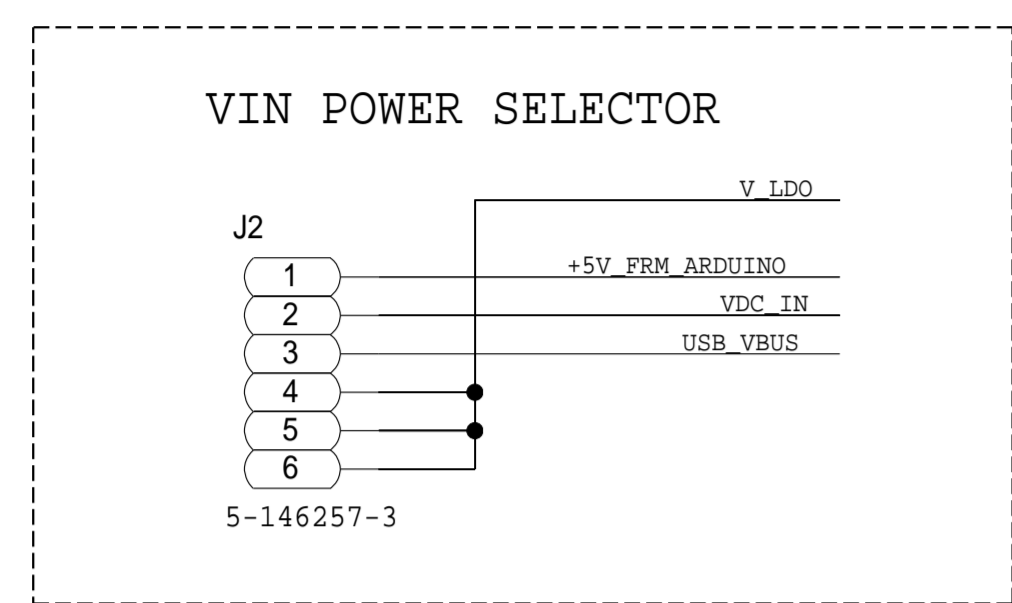


SCHEMATIC			
		HW TYPE : Customer Evaluation Z Product(s) : ADE9430 : ADE9430ARSDZ	
DESIGN VIEW	<DESIGN_VIEW>	DRAWING NO.	REV
PTD ENGINEER	J. MENDIA	02_068967	A
SIZE	SCALE	SHEET	OF
D	1:1	4	6

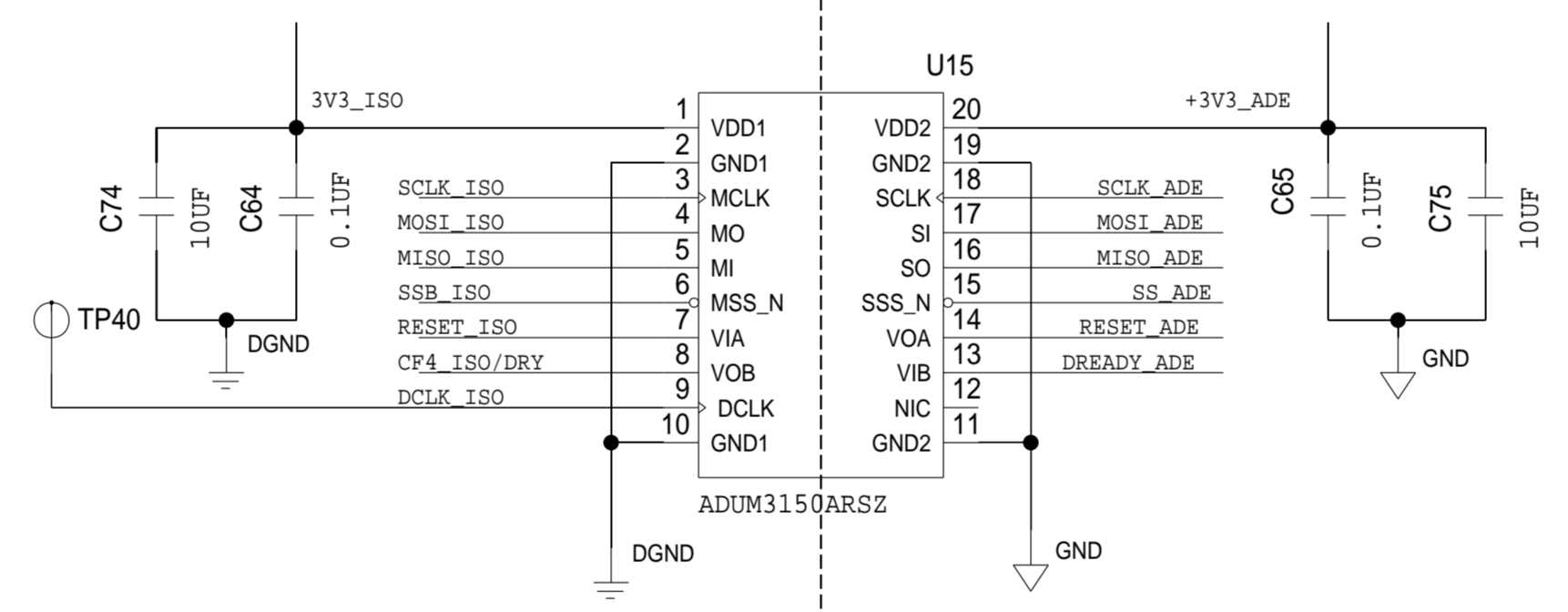
THIS DRAWING IS THE PROPERTY OF ANALOG DEVICES INC. IT IS NOT TO BE REPRODUCED OR COPIED, IN WHOLE OR IN PART, OR USED IN ANY MANNER WITHOUT THE WRITTEN PERMISSION OF ANALOG DEVICES. THE EQUIPMENT SHOWN HEREIN MAY BE PROTECTED BY PATENTS OWNED OR CONTROLLED BY ANALOG DEVICES.

REVISIONS			
REV	DESCRIPTION	DATE	APPROVED

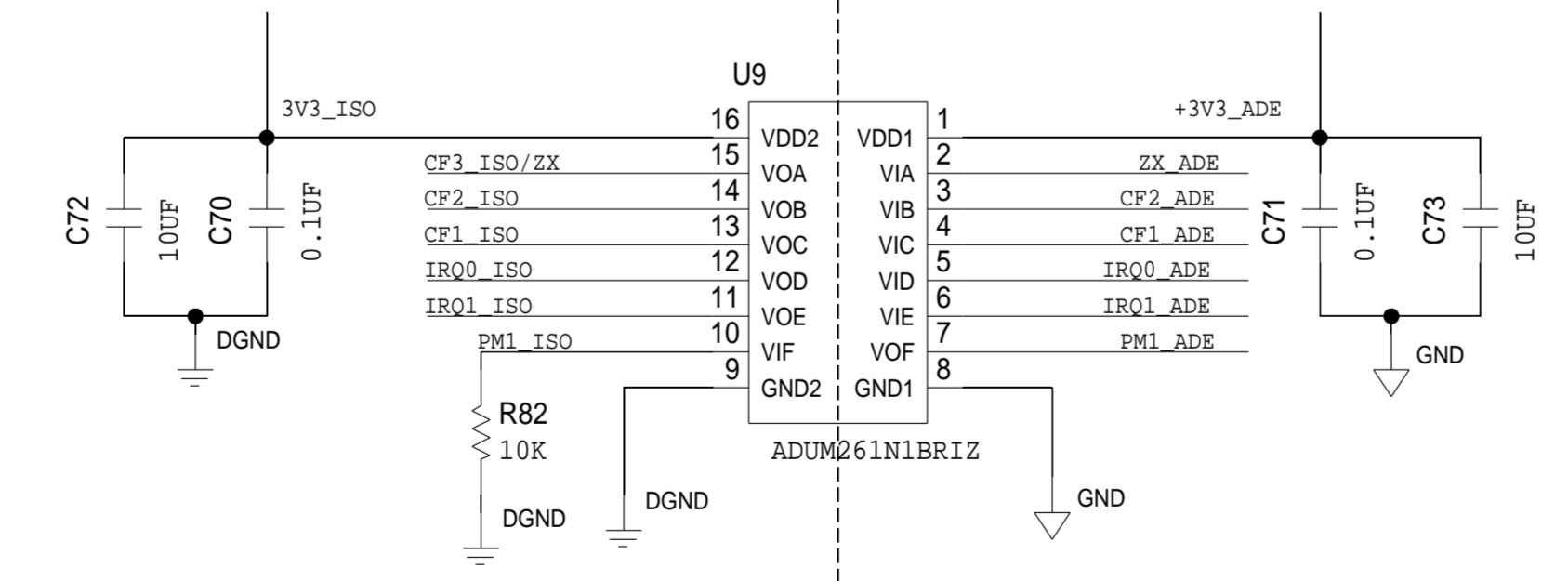
SAFE SIDE DC POWER IN



HOT/LIVE SIDE (ADE SIDE)



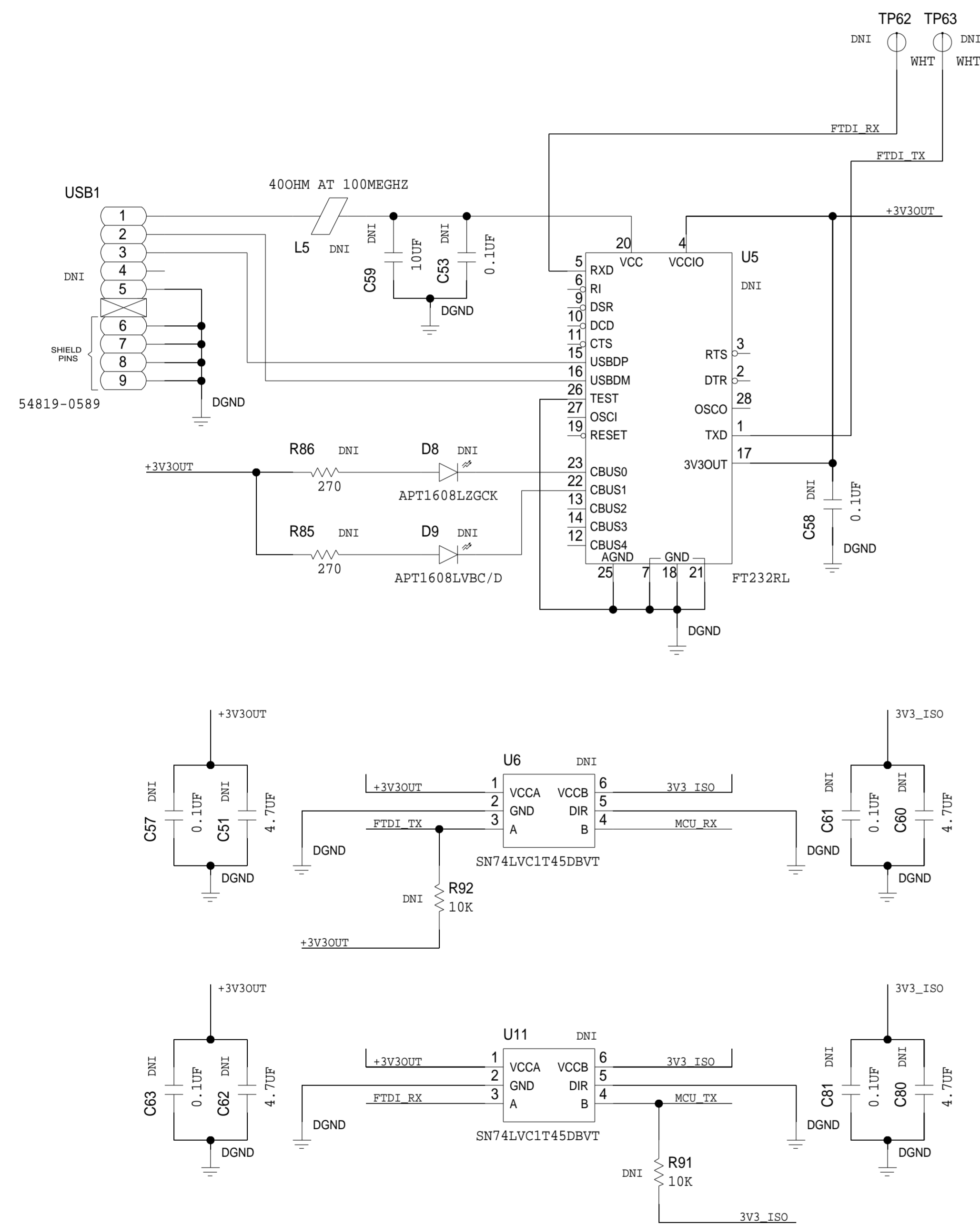
SAFE SIDE SDP, ARDUINO SIDE



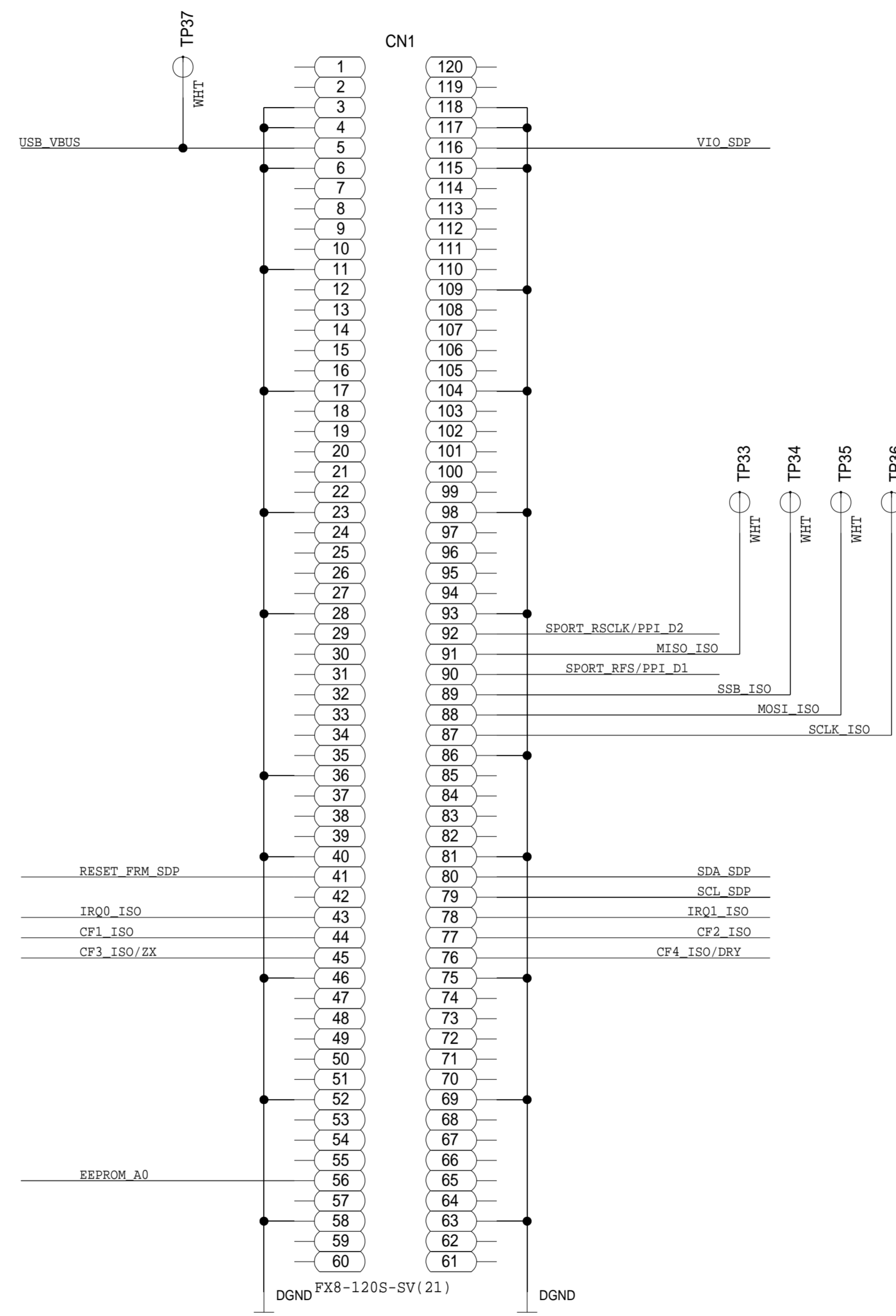
	SCHEMATIC		
	HW TYPE : Customer Evaluation Z Product(s): ADE9430 : ADE9430ARSZ		
	DESIGN VIEW <DESIGN_VIEW>	DRAWING NO. 02_068967	REV A
	PTD ENGINEER J.MENDIA	SIZE D	SCALE 1:1
SHEET 5 OF 6		SHEET 5 OF 6	

REVISIONS			
REV	DESCRIPTION	DATE	APPROVED

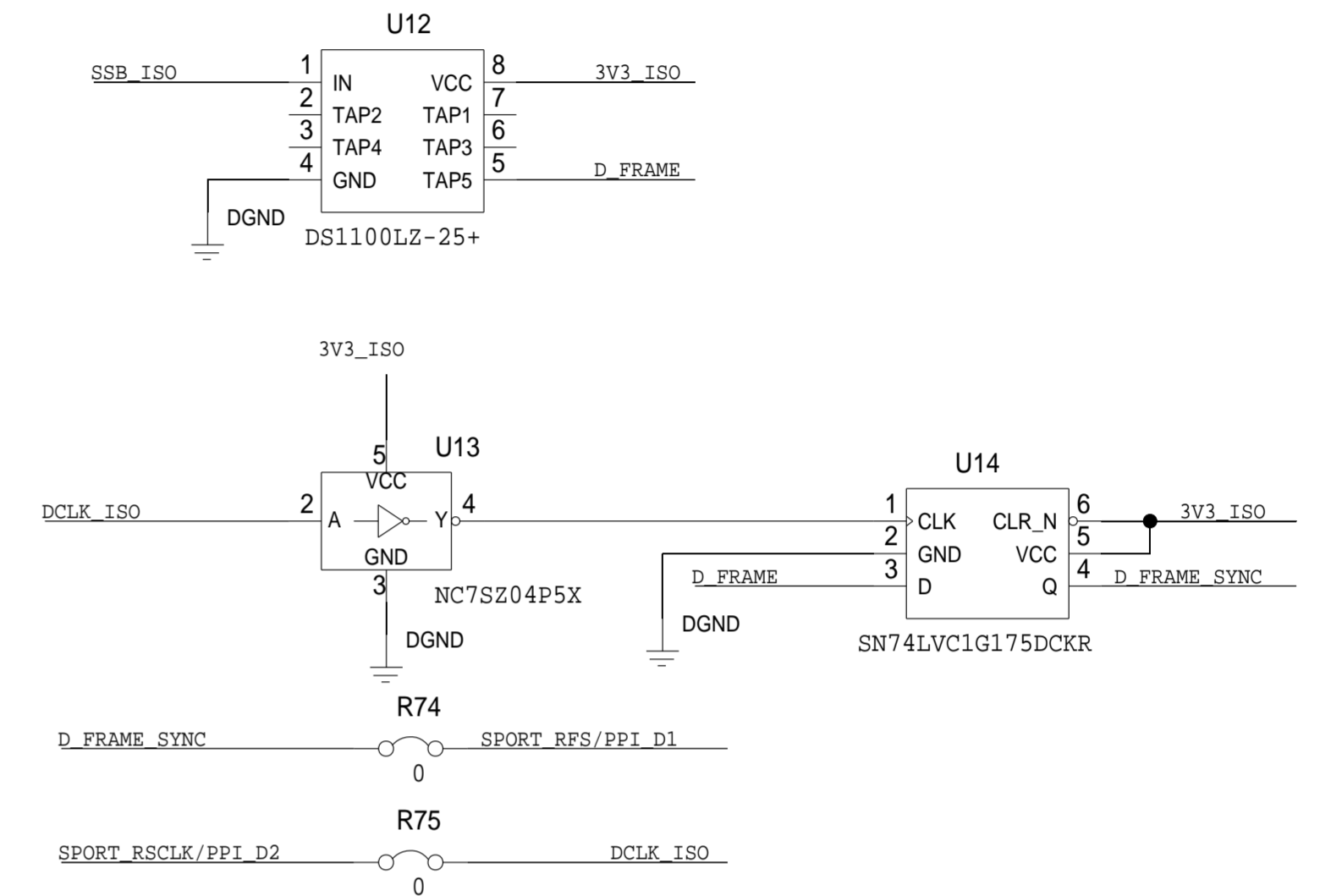
FOR INTERNAL EVALUATION ONLY!
FTDI UART TO SERIAL



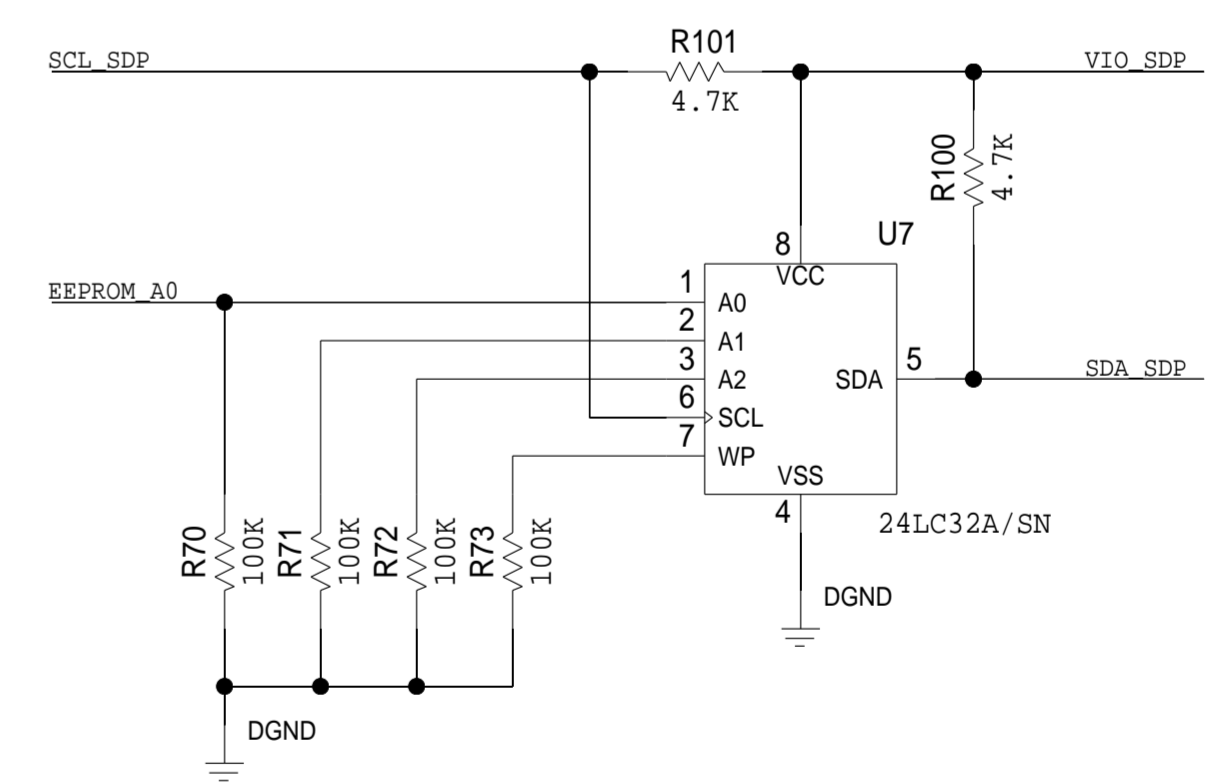
SDP INTERFACE



DELAY FRAME



SDP EEPROM



ANALOG DEVICES		SCHEMATIC			
<small>THIS DRAWING IS THE PROPERTY OF ANALOG DEVICES INC. IT IS NOT TO BE REPRODUCED OR COPIED, IN WHOLE OR IN PART, OR USED IN ANY MANNER WITHOUT THE WRITTEN PERMISSION OF ANALOG DEVICES. THE EQUIPMENT SHOWN HEREIN MAY BE PROTECTED BY PATENTS OWNED OR CONTROLLED BY ANALOG DEVICES.</small>		HW TYPE : Customer Evaluation Z		DRAWING NO. 02_068967	
		Product(s) : ADE9430 : ADE9430ARSDZ		REV A	
DESIGN VIEW <DESIGN_VIEW>		SIZE D	SCALE 1:1	SHEET 6 OF 6	
PTD ENGINEER J. MENDIA					