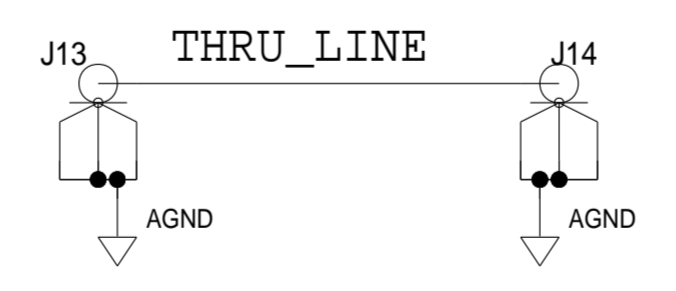
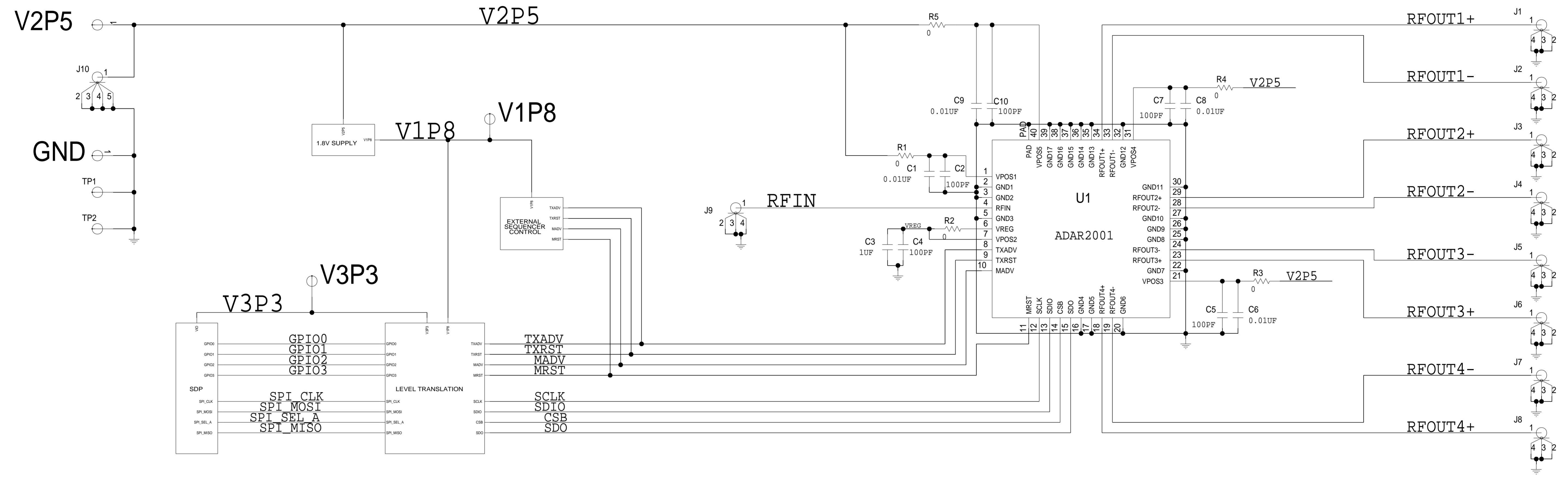
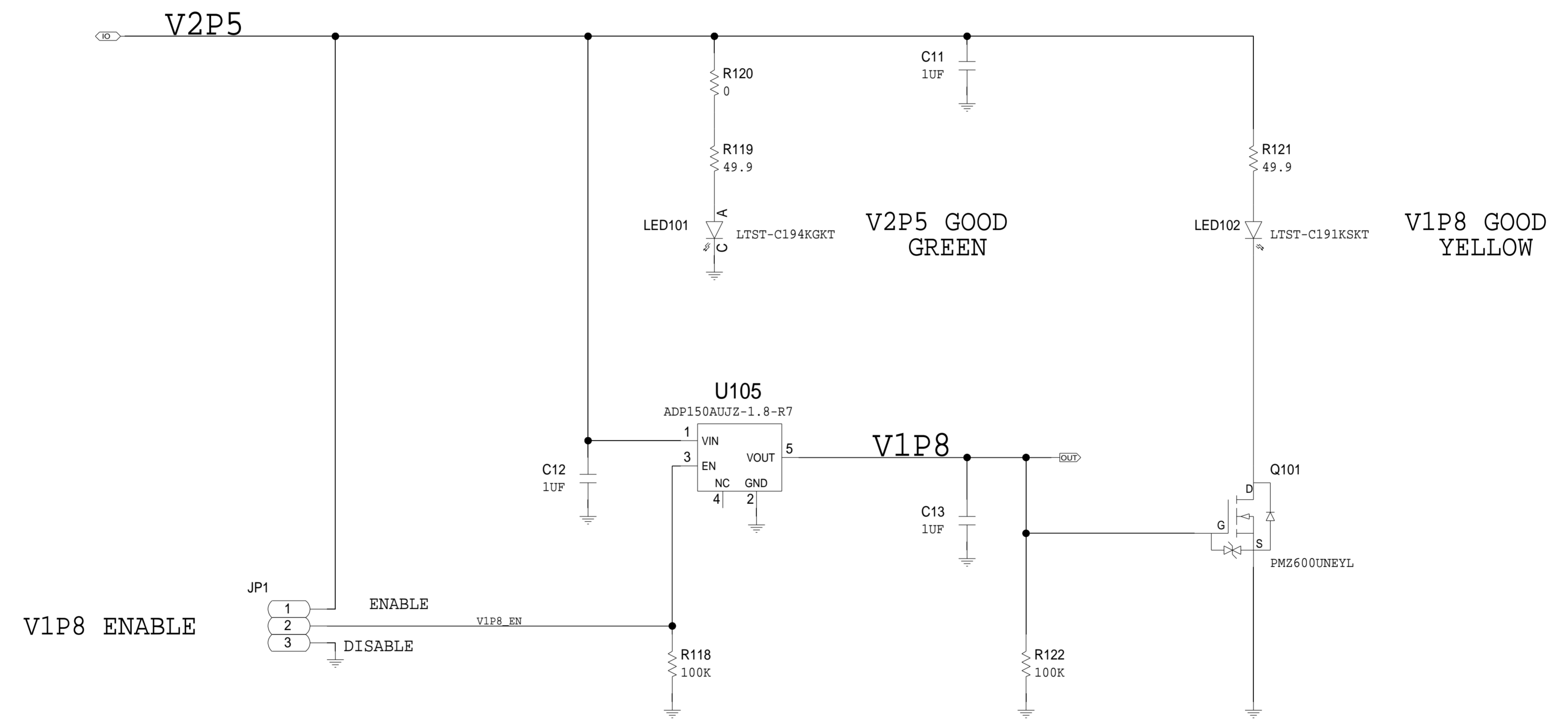


REVISIONS			
REV	DESCRIPTION	DATE	APPROVED



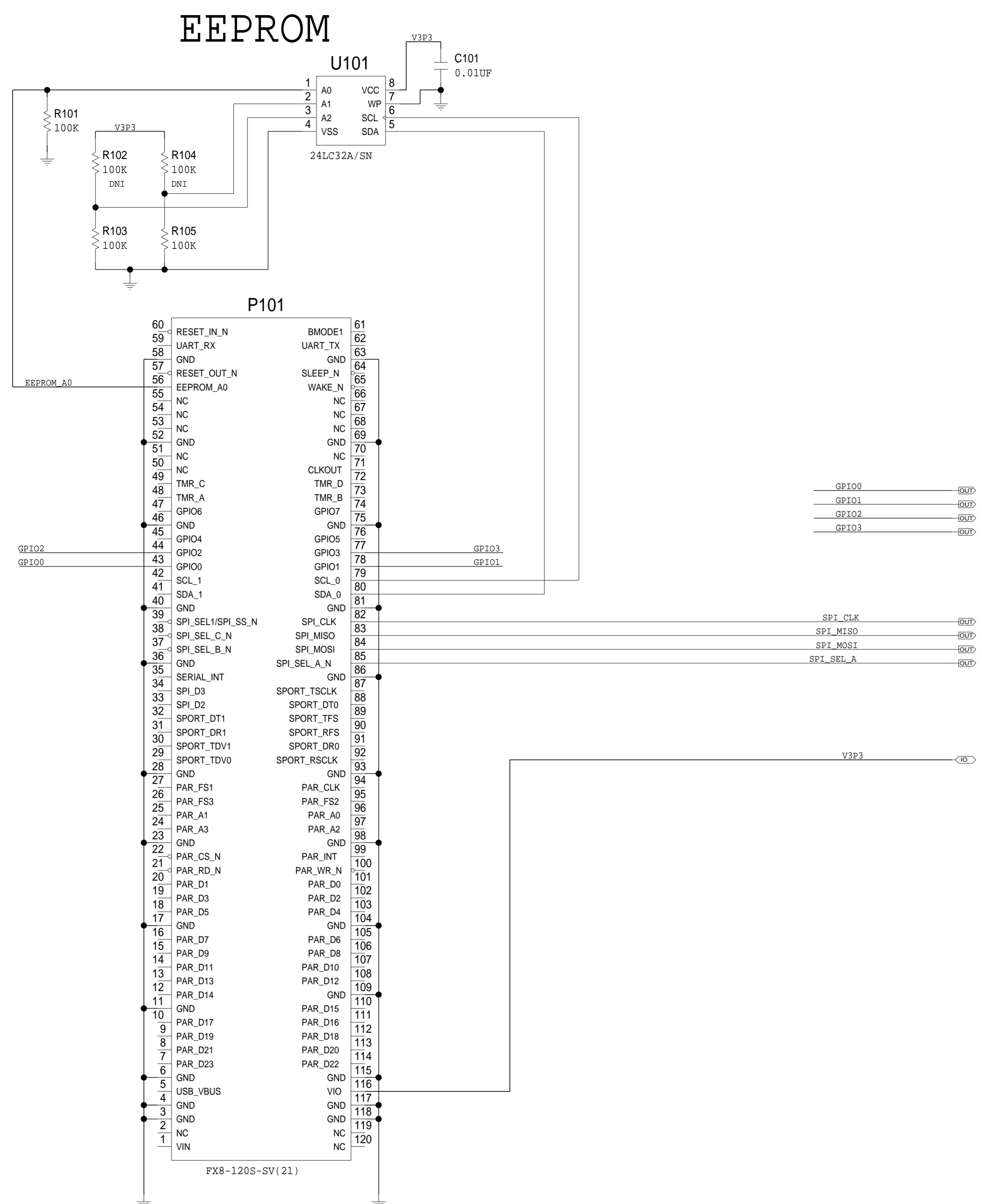
	SCHEMATIC		
	HW TYPE : Customer Evaluation Z Product(s): ADAR2001 : N/A		
	DESIGN VIEW <DESIGN_VIEW>	DRAWING NO. 02_048668	REV D
	PTD ENGINEER W. SAPIA	SIZE D	SCALE 1:1
		SHEET 2 OF 6	

REVISIONS			
REV	DESCRIPTION	DATE	APPROVED



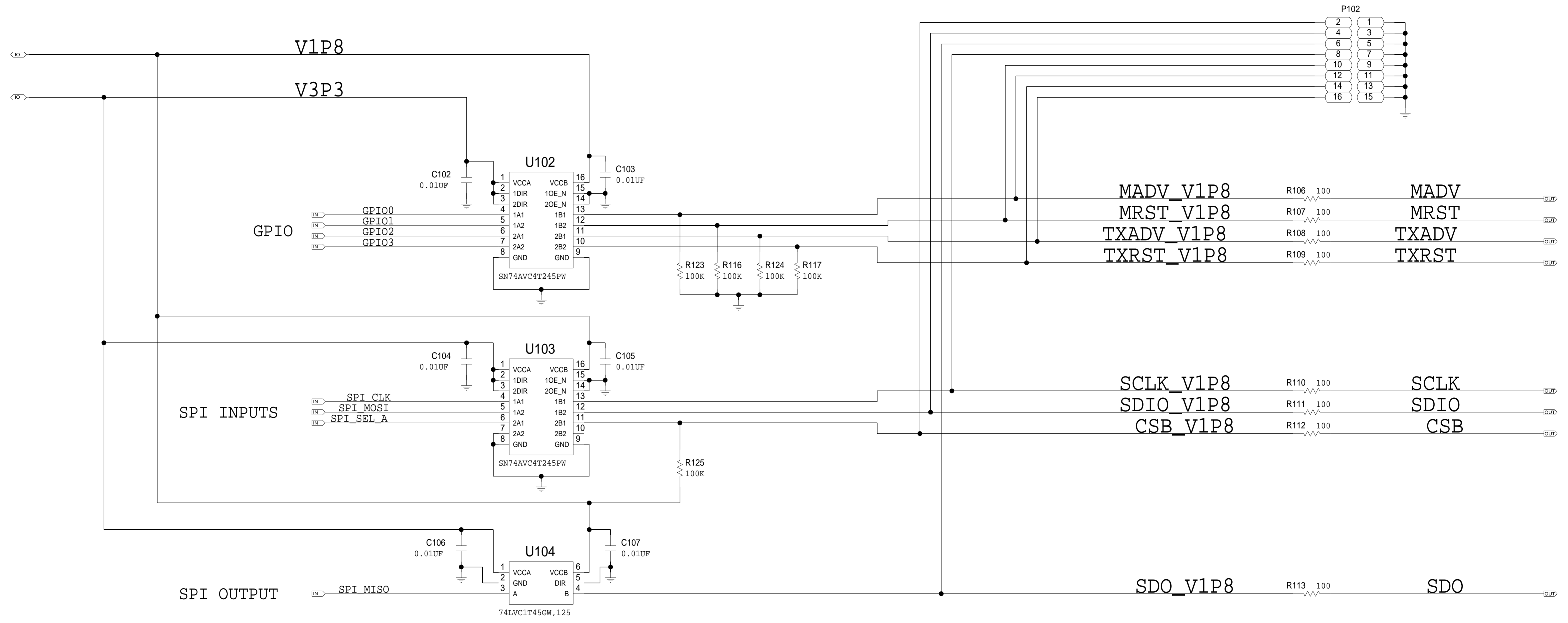
	SCHEMATIC		
	HW TYPE : Customer Evaluation Z Product(s): ADAR2001 : N/A		
	DESIGN VIEW <DESIGN_VIEW>	DRAWING NO. 02_048668	REV D
	PTD ENGINEER W. SAPIA	SIZE D	SCALE 1:1
		SHEET 3 OF 6	

REVISIONS			
REV	DESCRIPTION	DATE	APPROVED

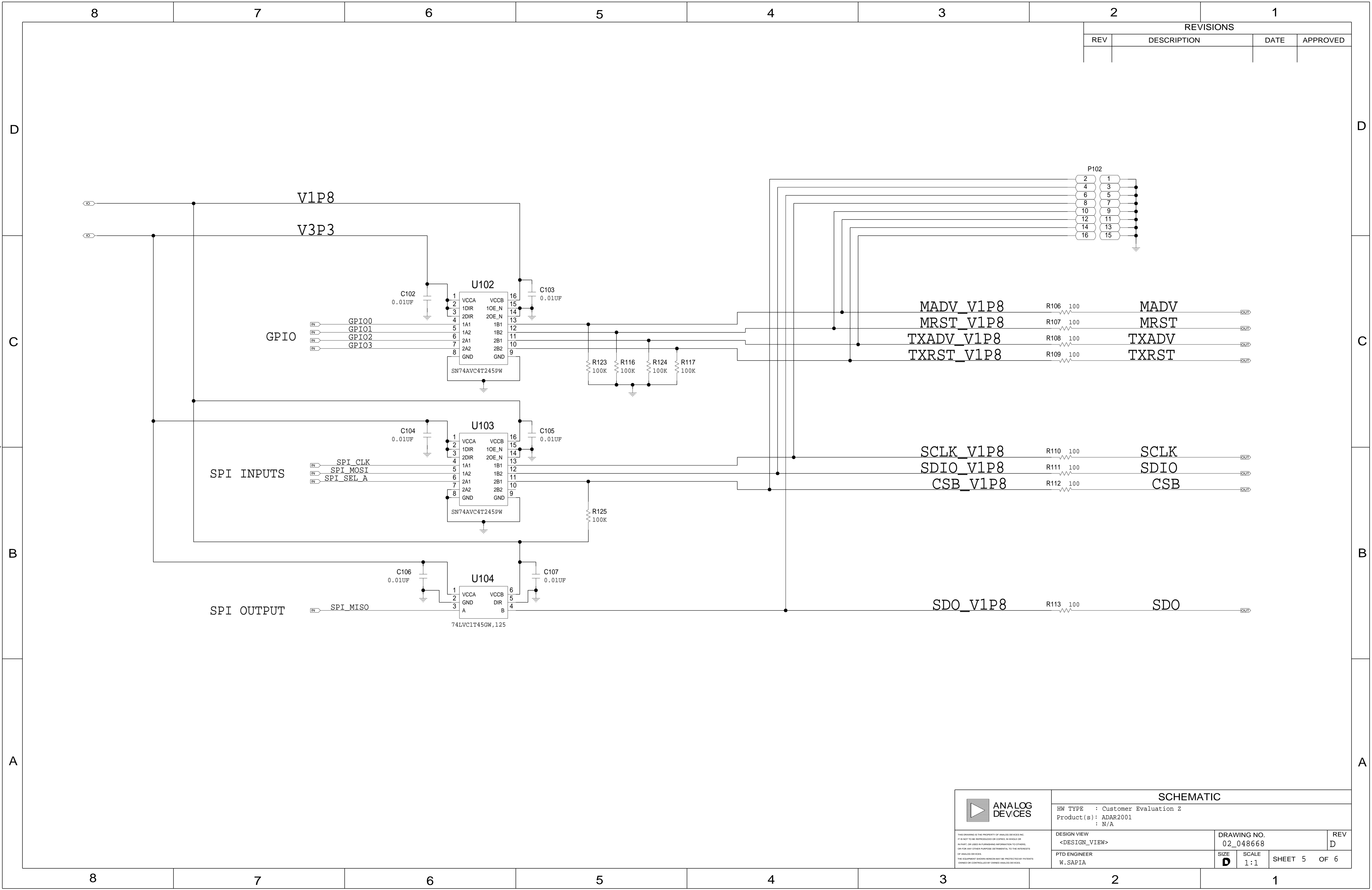


	SCHEMATIC		
	HW TYPE : Customer Evaluation Z Product(s) : ADAR2001 : N/A		
	DESIGN VIEW <DESIGN_VIEW>	DRAWING NO. 02_048668	REV D
	PTD ENGINEER W. SAPIA	SIZE D	SCALE 1:1
SHEET 4 OF 6			

REVISIONS			
REV	DESCRIPTION	DATE	APPROVED



	SCHEMATIC		
	HW TYPE : Customer Evaluation Z Product(s): ADAR2001 : N/A		
	DESIGN VIEW <DESIGN_VIEW>	DRAWING NO. 02_048668	REV D
PTD ENGINEER W. SAPIA	SIZE D	SCALE 1:1	SHEET 5 OF 6



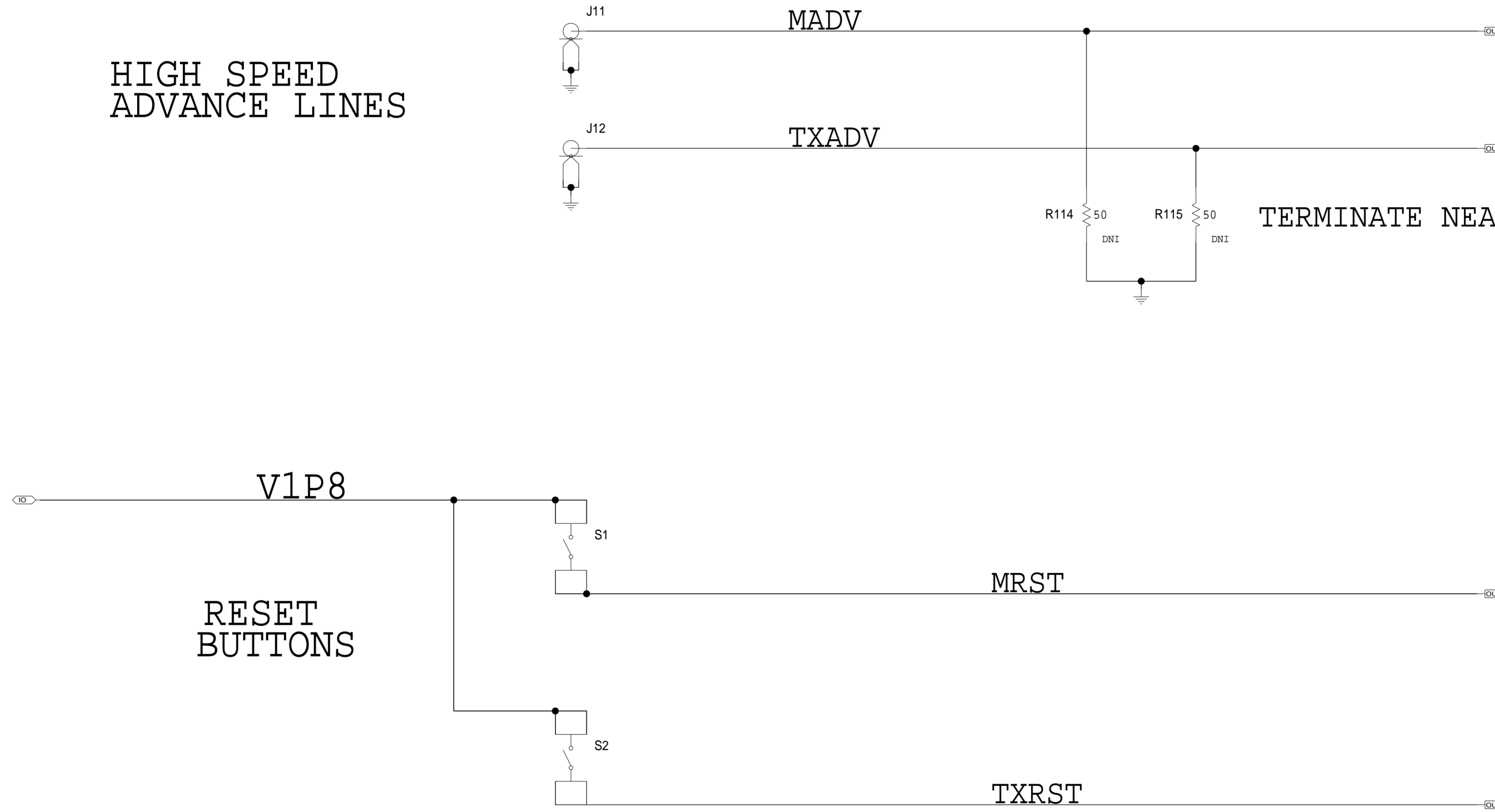
8 7 6 5 4 3 2 1

REVISIONS			
REV	DESCRIPTION	DATE	APPROVED

D
C
B
A

D
C
B
A

HIGH SPEED
ADVANCE LINES



TERMINATE NEAR THE DUT

RESET
BUTTONS

	SCHEMATIC		
	HW TYPE : Customer Evaluation Z Product(s): ADAR2001 : N/A		
	DESIGN VIEW <DESIGN_VIEW>	DRAWING NO. 02_048668	REV D
PTD ENGINEER W. SAPIA	SIZE D	SCALE 1:1	SHEET 6 OF 6

8 7 6 5 4 3 2 1