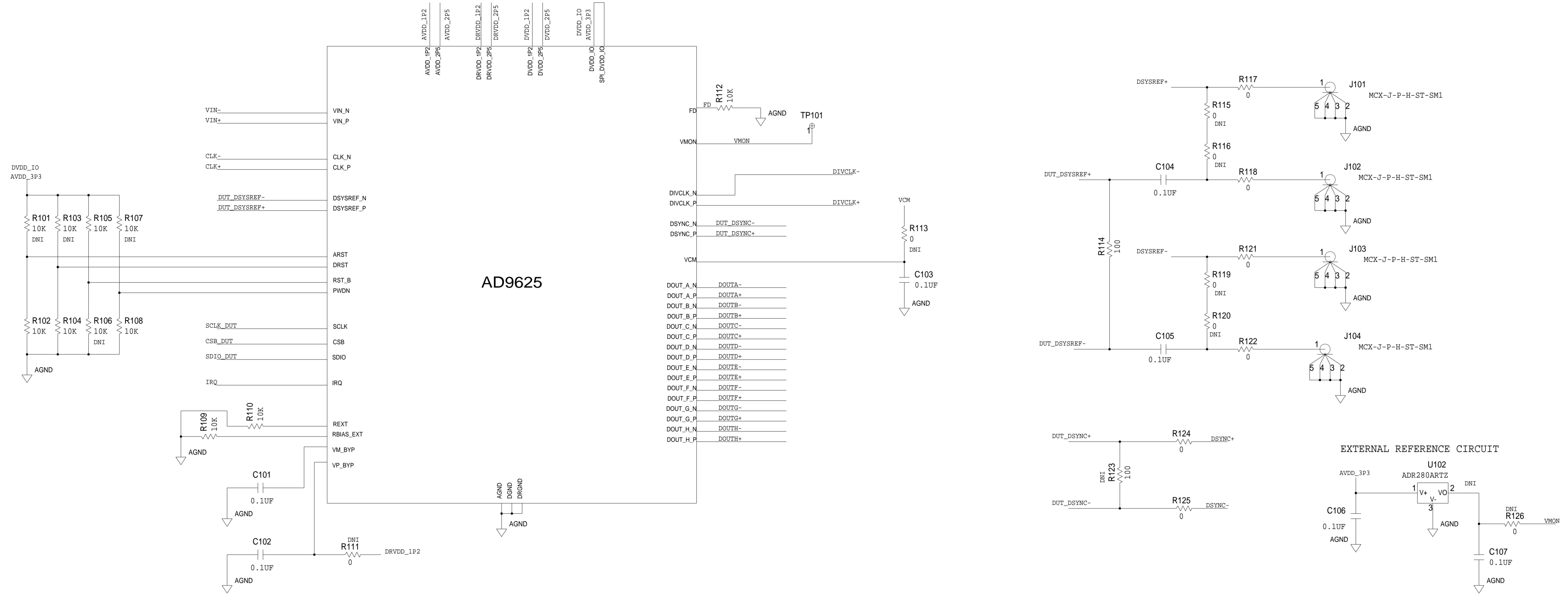
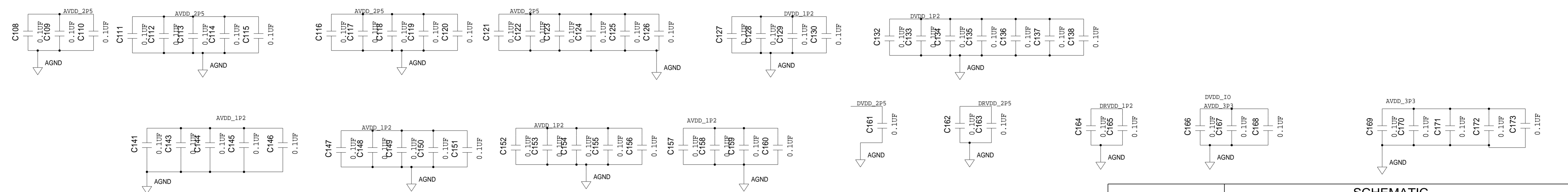


REVISIONS			
REV	DESCRIPTION	DATE	APPROVED

# DUT CONNECTIONS



## DUT DECOUPLING



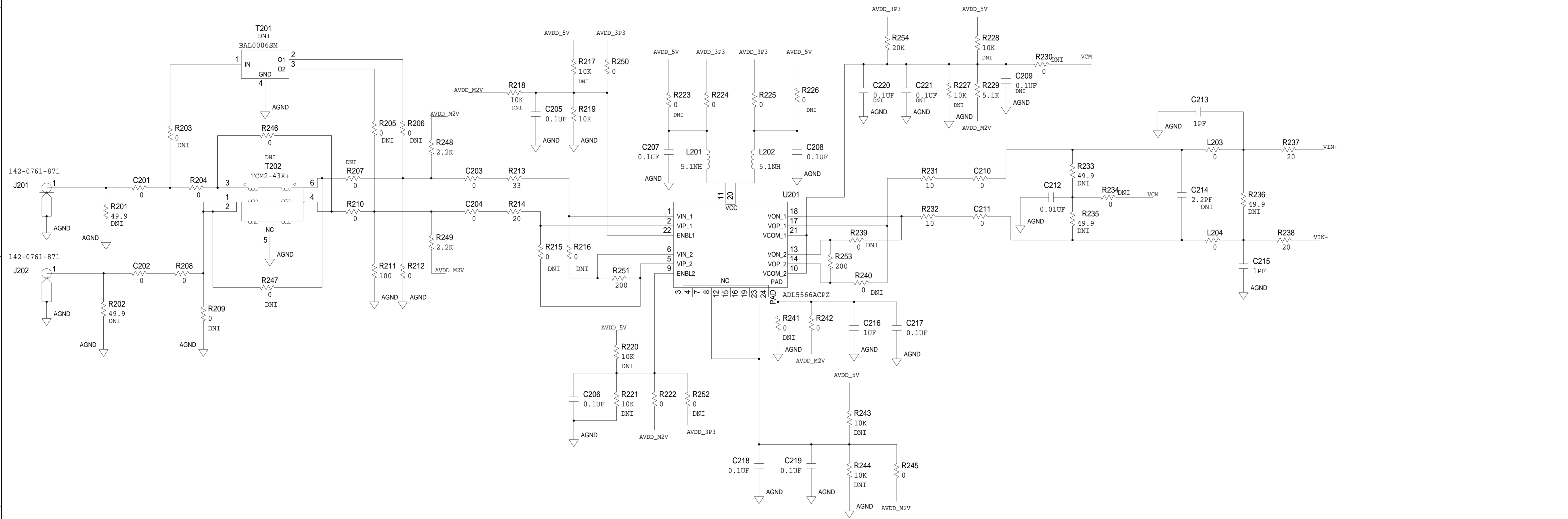
	<b>SCHEMATIC</b>		
	CUSTOMER EVALUATION PCB AD-FMCADCV7-EBZ C-01841		
	DESIGN VIEW -	DRAWING NO. 02-040403	REV B
	PTD ENGINEER ROB REEDER	SIZE D	SCALE NONE

THIS DRAWING IS THE PROPERTY OF ANALOG DEVICES INC. IT IS NOT TO BE REPRODUCED OR COPIED IN WHOLE OR IN PART, OR USED IN ANY MANNER WITHOUT THE WRITTEN PERMISSION OF ANALOG DEVICES. THE EQUIPMENT SHOWN HEREIN MAY BE PROTECTED BY PATENTS OWNED OR CONTROLLED BY ANALOG DEVICES.

SHEET 1 OF 7

# ANALOG FRONT END - DC COUPLED

REVISIONS			
REV	DESCRIPTION	DATE	APPROVED



**AC COUPLED AMP/ADC CHANGE NOTES FOR 5V SUPPLY:**

**POPULATE THE FOLLOWING:**

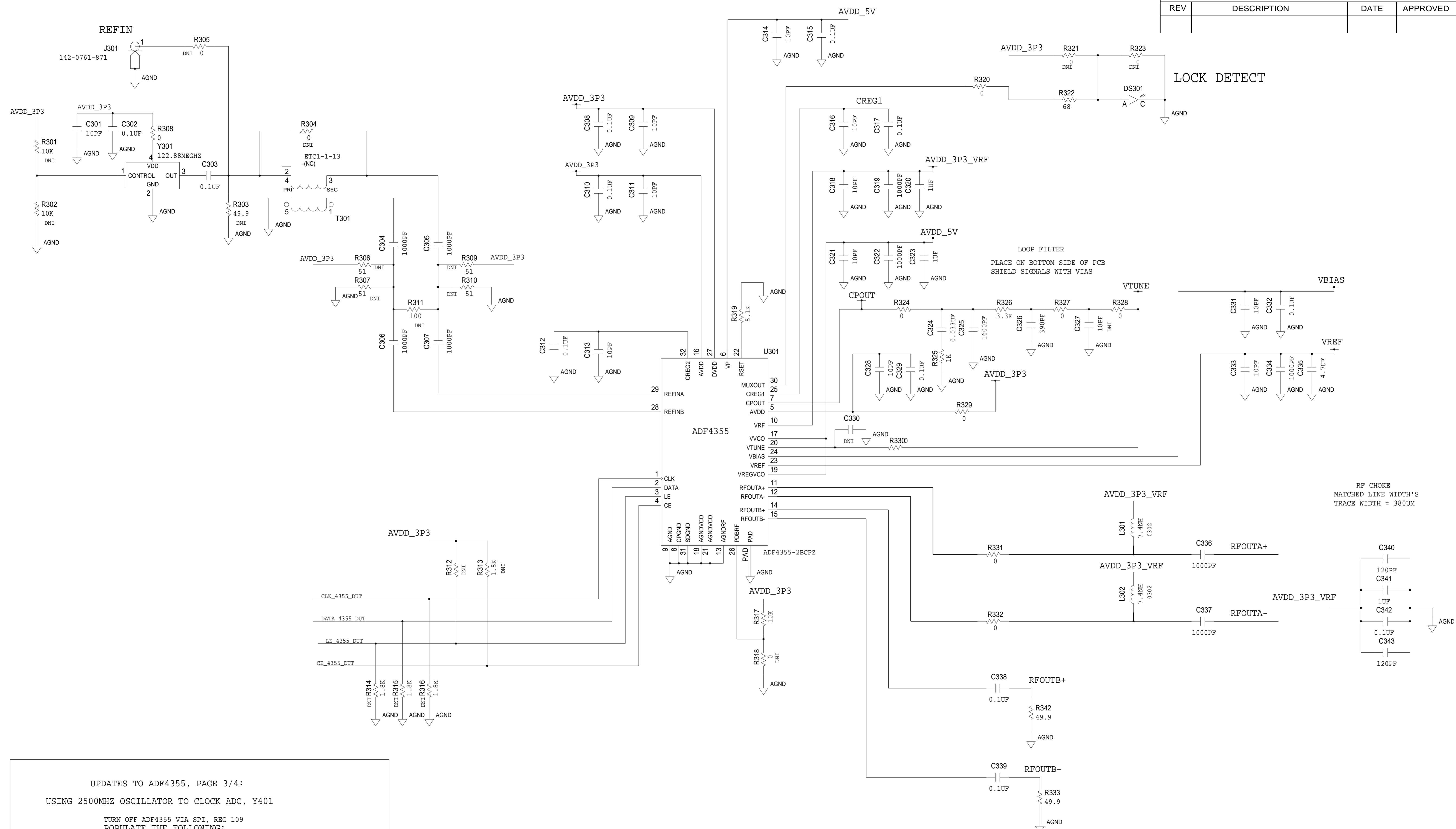
- T202 = TCM2-43X+
- R207, R213, R214, R223, R226, R241 = 0 OHM
- R211, R212 = 36 OHM
- C201, C203, C204 = 0.1UF
- R217, R227, R228, R243, R221, R244 = 10K OHM

**REMOVE THE FOLLOWING:**

- R245, R222, R242, R229, R224, R225, R250

	<b>SCHMATIC</b>		
	CUSTOMER EVALUATION PCB		
	AD-FMADCV7-EBZ		
	C-01841		
DESIGN VIEW	DRAWING NO.	REV	
-	02-040403	B	
PTD ENGINEER	SIZE	SCALE	
ROB REEDER	D	NONE	
	SHEET	OF	
	2	7	

REVISIONS			
REV	DESCRIPTION	DATE	APPROVED



UPDATES TO ADF4355, PAGE 3/4:  
 USING 2500MHZ OSCILLATOR TO CLOCK ADC, Y401

TURN OFF ADF4355 VIA SPI, REG 109  
 POPULATE THE FOLLOWING:  
 C402 = 0.1UF  
 R409 = 0 OHM

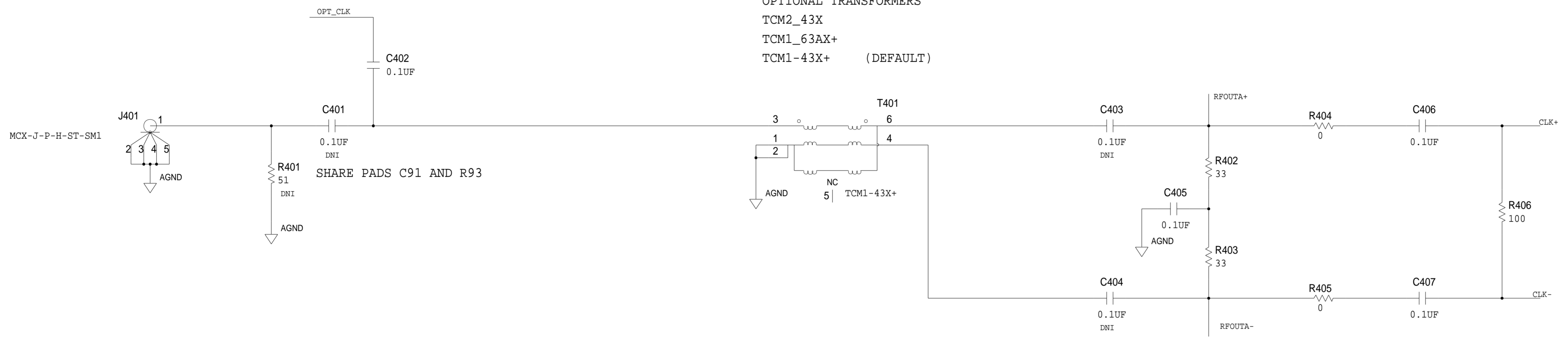
REMOVE THE FOLLOWING:  
 C336, C337, C401, R308

SCHEMATIC			
		CUSTOMER EVALUATION PCB	
AD-FMCADCV7-EBZ		C-01841	
DESIGN VIEW	-	DRAWING NO.	02-040403
PTD ENGINEER	ROB REEDER	SCALE	NONE
SIZE	D	SHEET	3 OF 7
REV	B		

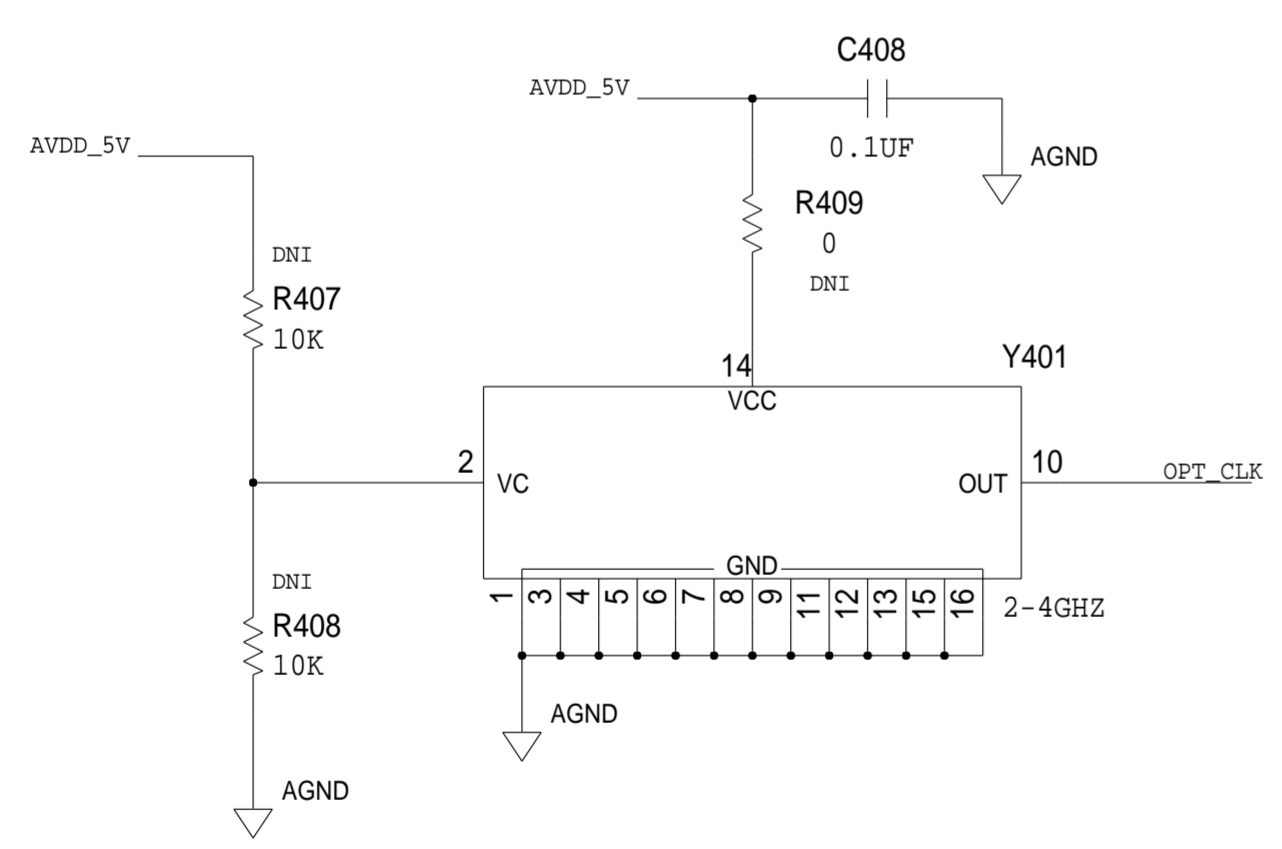
THIS DRAWING IS THE PROPERTY OF ANALOG DEVICES INC. IT IS NOT TO BE REPRODUCED OR COPIED, IN WHOLE OR IN PART, OR USED IN FURNISHING INFORMATION TO OTHERS, OR FOR ANY OTHER PURPOSE DETRIMENTAL TO THE INTERESTS OF ANALOG DEVICES. THE EQUIPMENT SHOWN HEREON MAY BE PROTECTED BY PATENTS OWNED OR CONTROLLED BY ANALOG DEVICES.

REVISIONS			
REV	DESCRIPTION	DATE	APPROVED

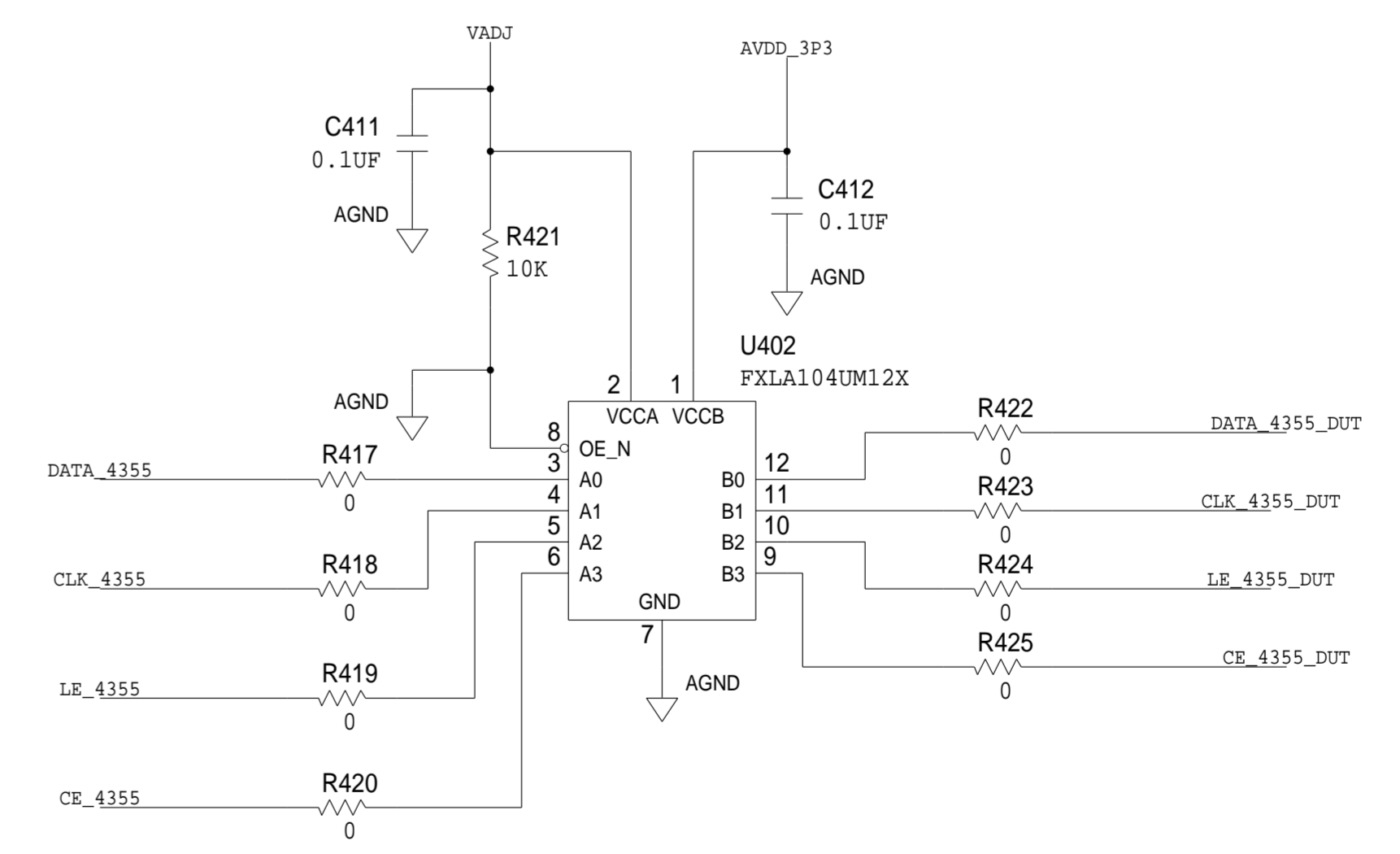
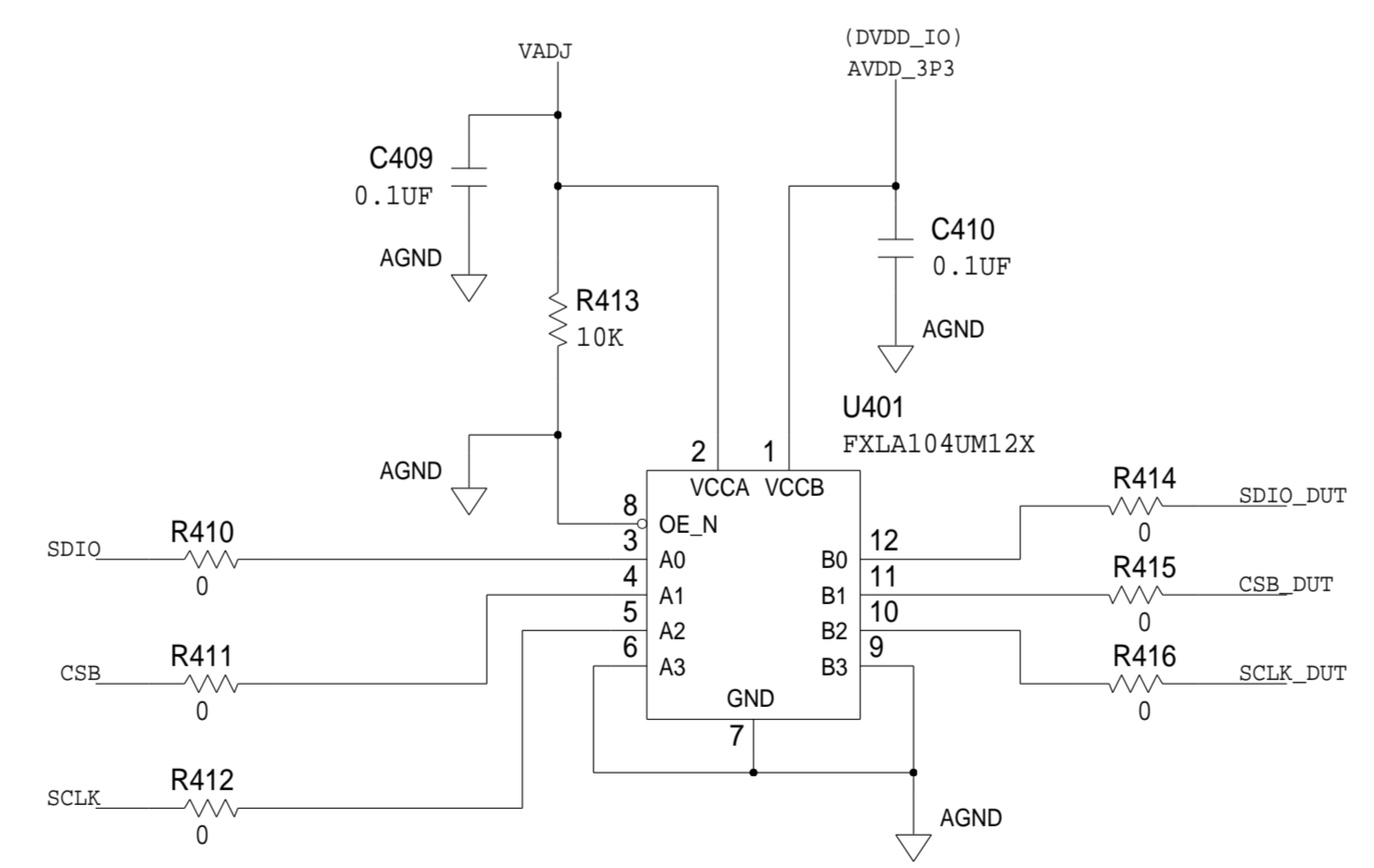
# CLOCK CIRCUITRY



# OPTIONAL OSCILLATOR



# SPI TRANSLATION

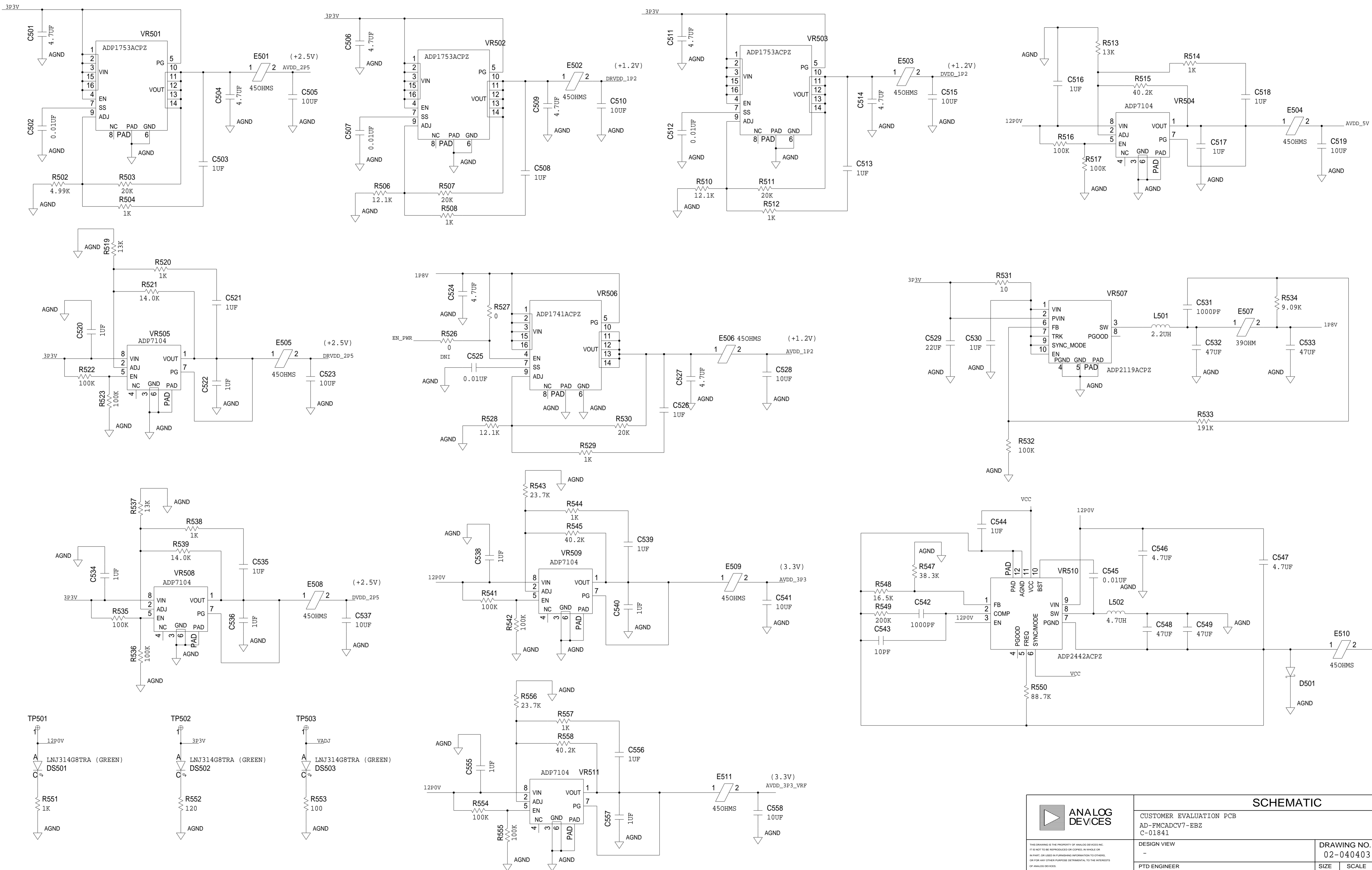


	<b>SCHEMATIC</b>		
	CUSTOMER EVALUATION PCB AD-FMADCV7-EBZ C-01841		
	DESIGN VIEW -	DRAWING NO. 02-040403	REV B
	PTD ENGINEER ROB REEDER	SIZE D	SCALE NONE

THIS DRAWING IS THE PROPERTY OF ANALOG DEVICES INC. IT IS NOT TO BE REPRODUCED OR COPIED, IN WHOLE OR IN PART, OR USED IN FURNISHING INFORMATION TO OTHERS, OR FOR ANY OTHER PURPOSE DETRIMENTAL TO THE INTERESTS OF ANALOG DEVICES. THE EQUIPMENT SHOWN HEREIN MAY BE PROTECTED BY PATENTS OWNED OR CONTROLLED BY ANALOG DEVICES.

# POWER SUPPLIES

REVISIONS			
REV	DESCRIPTION	DATE	APPROVED

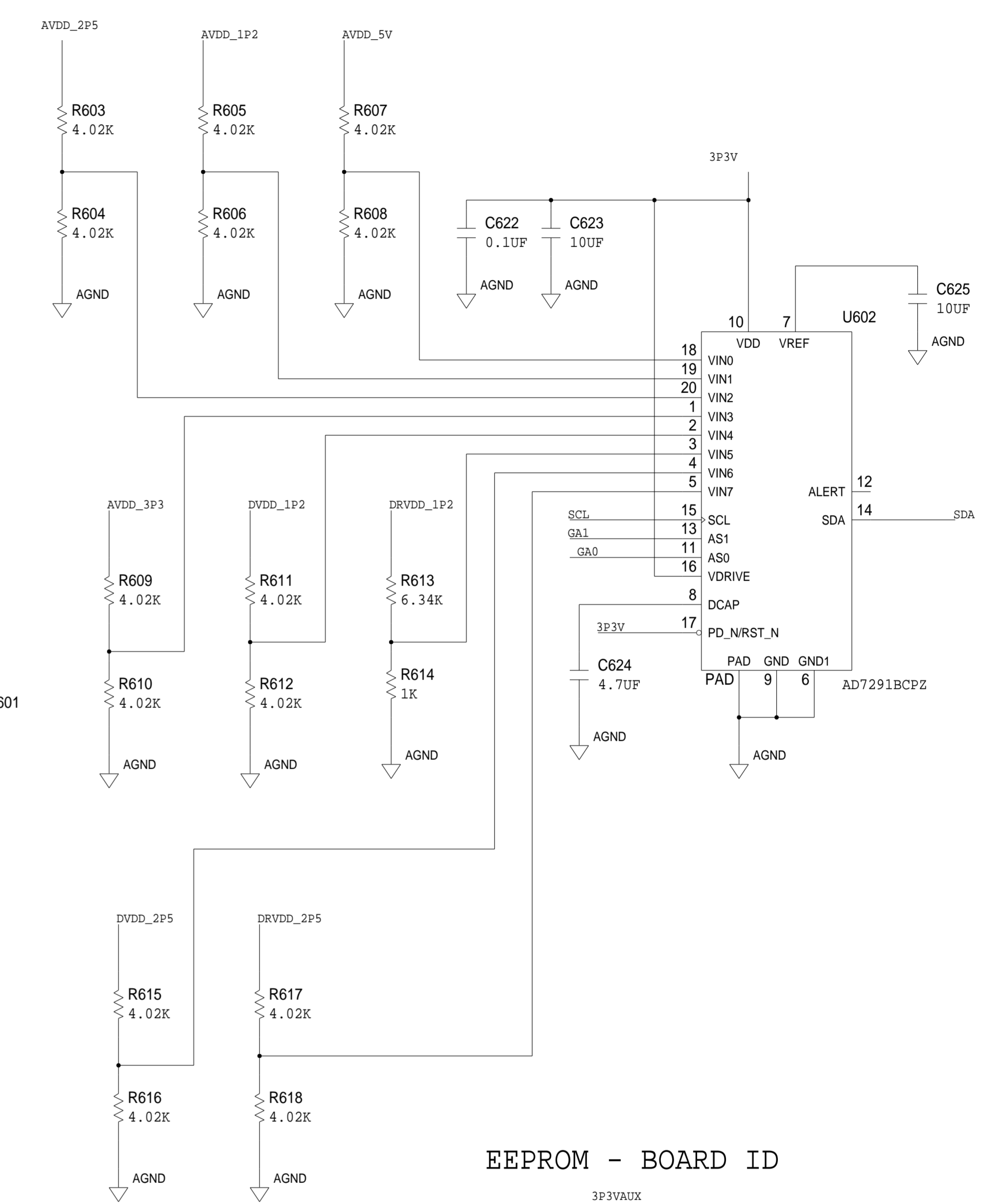


	<b>SCHEMATIC</b>		
	CUSTOMER EVALUATION PCB AD-FMCADCV7-EBZ C-01841		
	DESIGN VIEW -	DRAWING NO. 02-040403	REV B
	PTD ENGINEER ROB REEDER	SIZE D	SCALE NONE

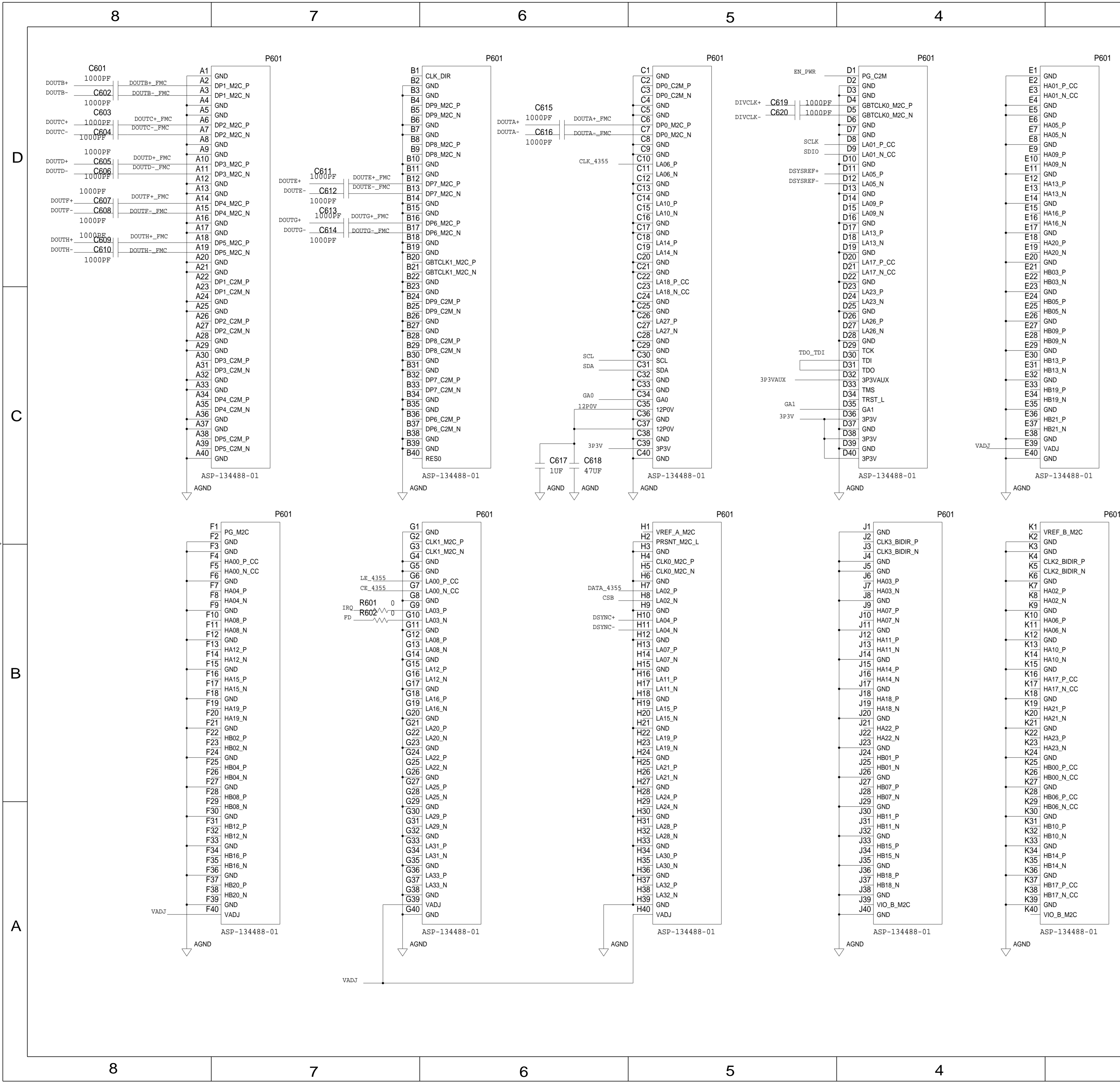
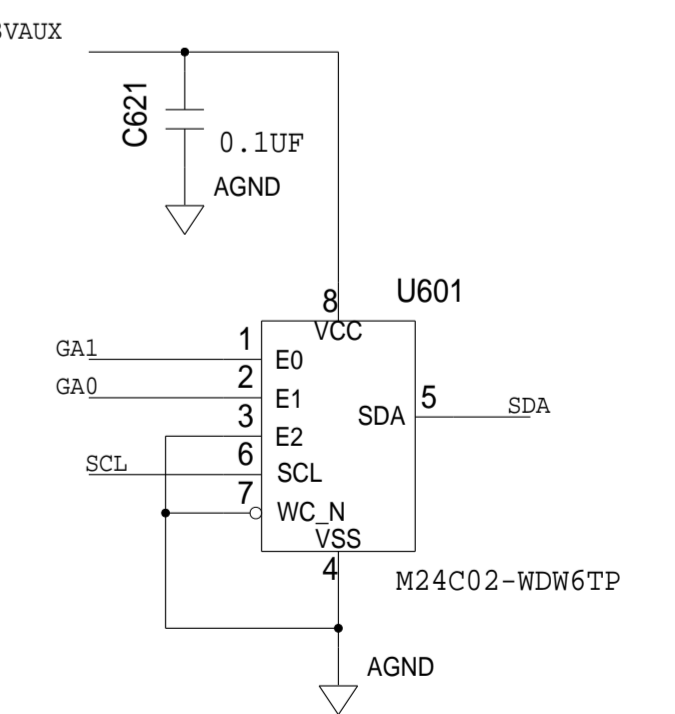
THIS DRAWING IS THE PROPERTY OF ANALOG DEVICES INC. IT IS NOT TO BE REPRODUCED OR COPIED, IN WHOLE OR IN PART, OR USED IN FURNISHING INFORMATION TO OTHERS, OR FOR ANY OTHER PURPOSE DETRIMENTAL TO THE INTERESTS OF ANALOG DEVICES. THE EQUIPMENT SHOWN HEREIN MAY BE PROTECTED BY PATENTS OWNED OR CONTROLLED BY ANALOG DEVICES.

REVISIONS			
REV	DESCRIPTION	DATE	APPROVED

# VOLTAGE MONITOR CIRCUIT



# EEPROM - BOARD ID



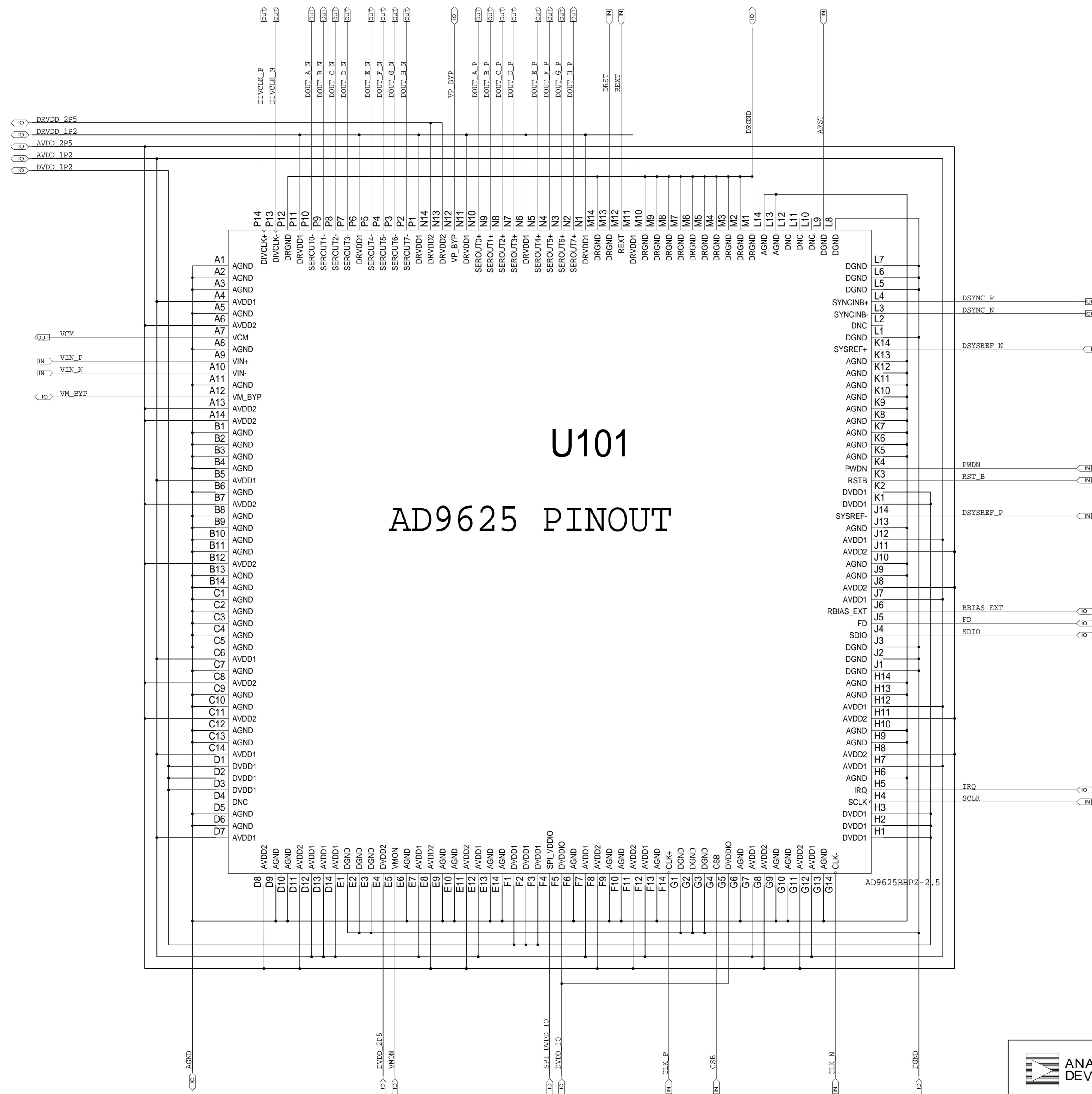
SCHEMATIC			
		CUSTOMER EVALUATION PCB AD-FMADC7-EBZ C-01841	
DESIGN VIEW	-	DRAWING NO.	02-040403
PTD ENGINEER	ROB REEDER	SCALE	NONE
REV	B	SHEET	6 OF 7

THIS DRAWING IS THE PROPERTY OF ANALOG DEVICES INC. IT IS NOT TO BE REPRODUCED OR COPIED, IN WHOLE OR IN PART, OR USED IN ANY MANNER THAT IS DEPRECIATIONAL TO THE INTERESTS OF ANALOG DEVICES. THE EQUIPMENT SHOWN HEREON MAY BE PROTECTED BY PATENTS OWNED OR CONTROLLED BY ANALOG DEVICES.

# POWER/GND CONNECTIONS

## SIGNAL RENAMING

REVISIONS			
REV	DESCRIPTION	DATE	APPROVED



U101  
AD9625 PINOUT

	<b>SCHEMATIC</b>		
	CUSTOMER EVALUATION PCB AD-FMCADCV7-EBZ C-01841		
	DESIGN VIEW -	DRAWING NO. 02-040403	REV B
PTD ENGINEER ROB REEDER	SIZE D	SCALE NONE	SHEET 7 OF 7

THIS DRAWING IS THE PROPERTY OF ANALOG DEVICES INC. IT IS NOT TO BE REPRODUCED OR COPIED, IN WHOLE OR IN PART, OR USED IN FURNISHING INFORMATION TO OTHERS, OR FOR ANY OTHER PURPOSE DETRIMENTAL TO THE INTERESTS OF ANALOG DEVICES. THE EQUIPMENT SHOWN HEREON MAY BE PROTECTED BY PATENTS OWNED OR CONTROLLED BY ANALOG DEVICES.