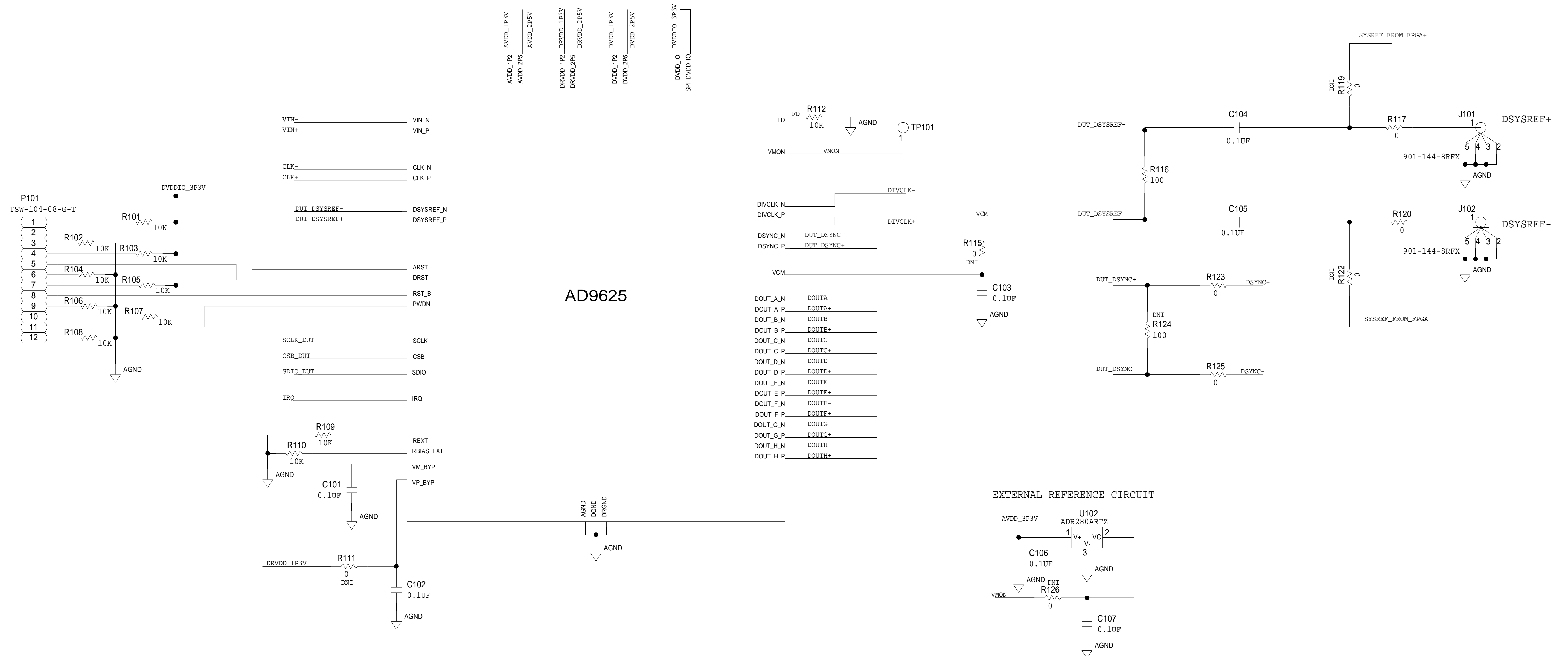


REVISIONS			
REV	DESCRIPTION	DATE	APPROVED
C	INITIAL RELEASE	14FEB14	DML

DUT CONNECTIONS



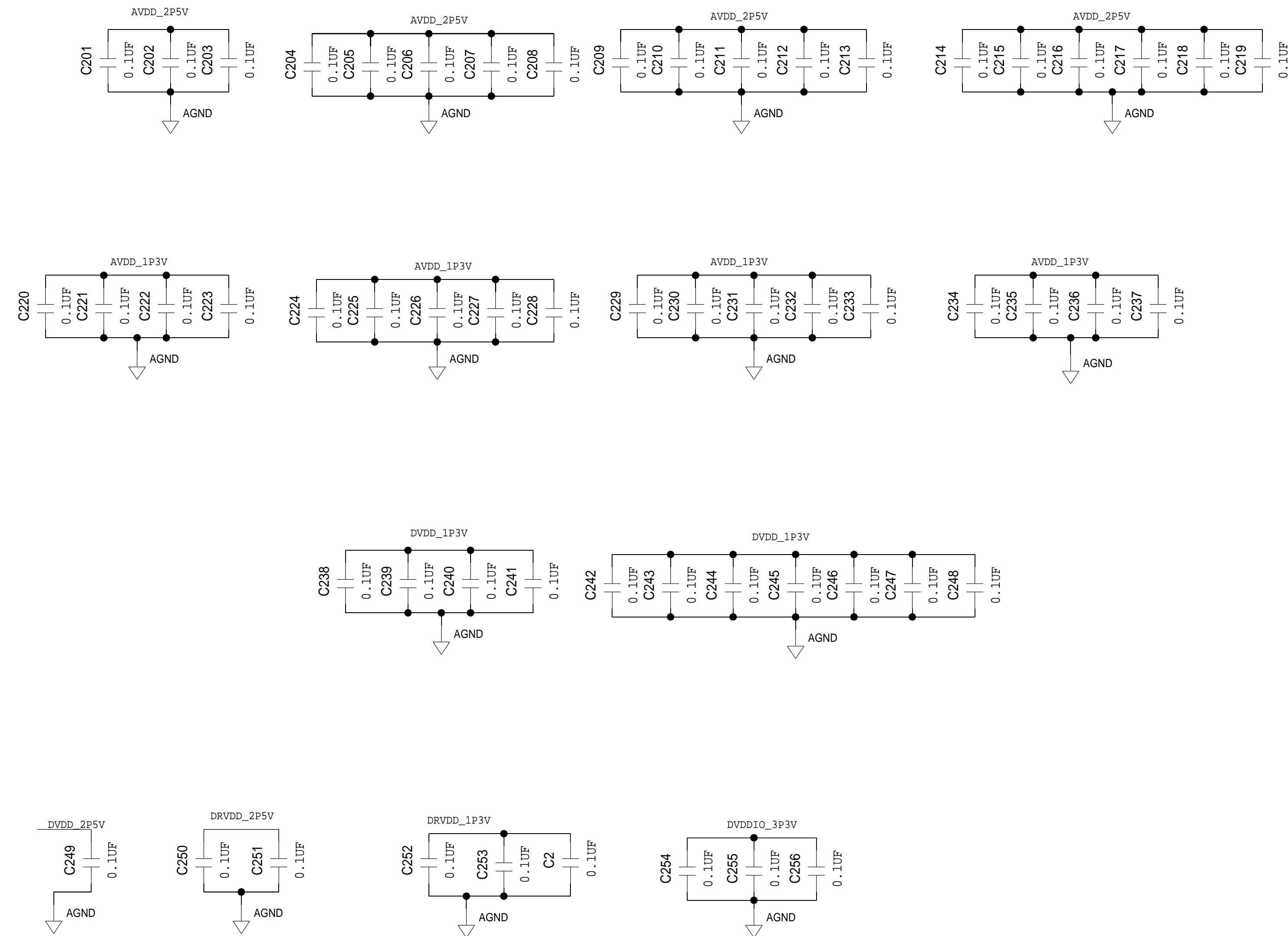
SCHEMATIC			
HW TYPE : Customer Evaluation Z Product(s) : LTM8002 : AD9625		DRAWING NO. 02_040067	
DESIGN VIEW <DESIGN_VIEW>		SIZE D	SCALE 1:1
PTD ENGINEER P. PASAQUIAN		SHEET 2 OF 8	REV D

THIS DRAWING IS THE PROPERTY OF ANALOG DEVICES INC. IT IS NOT TO BE REPRODUCED OR COPIED, IN WHOLE OR IN PART, OR USED IN FURNISHING INFORMATION TO OTHERS, OR FOR ANY OTHER PURPOSE DETRIMENTAL TO THE INTERESTS OF ANALOG DEVICES. THE EQUIPMENT SHOWN HEREON MAY BE PROTECTED BY PATENTS OWNED OR CONTROLLED BY ANALOG DEVICES.

8 7 6 5 4 3 2 1

REVISIONS			
REV	DESCRIPTION	DATE	APPROVED

DUT DECOUPLING

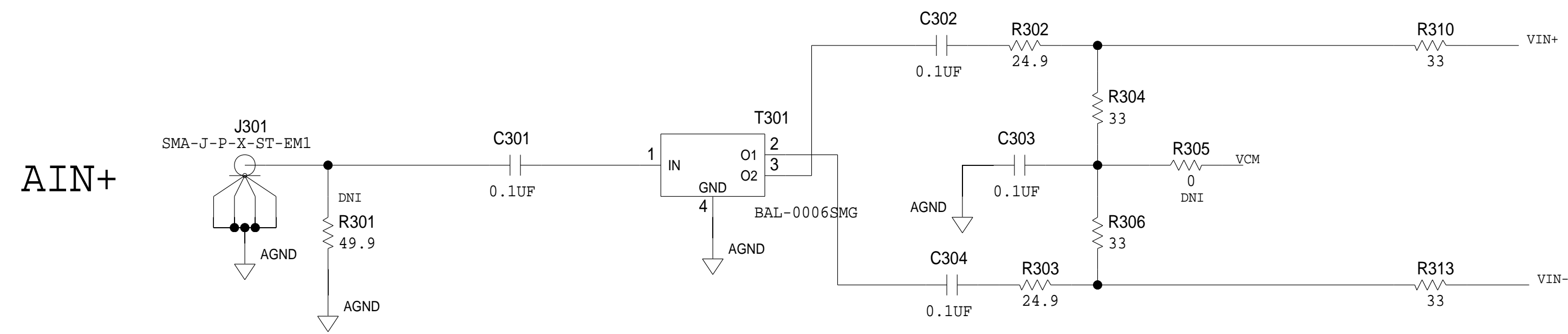


8 7 6 5 4 3 2 1

	SCHEMATIC		
	HW TYPE : Customer Evaluation Z Product(s) : LIM8002 : AD9625		
	DESIGN VIEW <DESIGN_VIEW>	DRAWING NO. 02_040067	REV D
	PTD ENGINEER P. PASAQUIAN	SIZE D	SCALE 1:1
		SHEET 3 OF 8	

ANALOG FRONT END OPTIONS

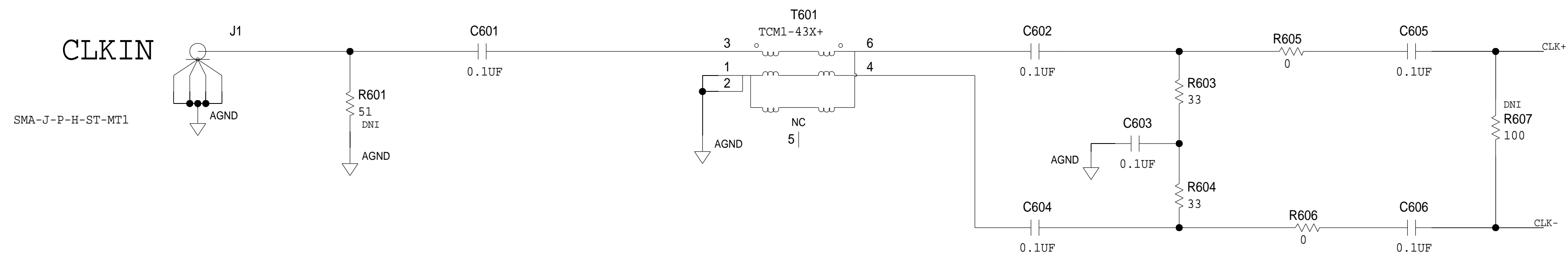
REVISIONS			
REV	DESCRIPTION	DATE	APPROVED



CLOCK CIRCUITRY

OPTIONAL TRANSFORMERS

- TCM2_43X
- TCM1_63AX+
- TCM1_43X+ (DEFAULT)

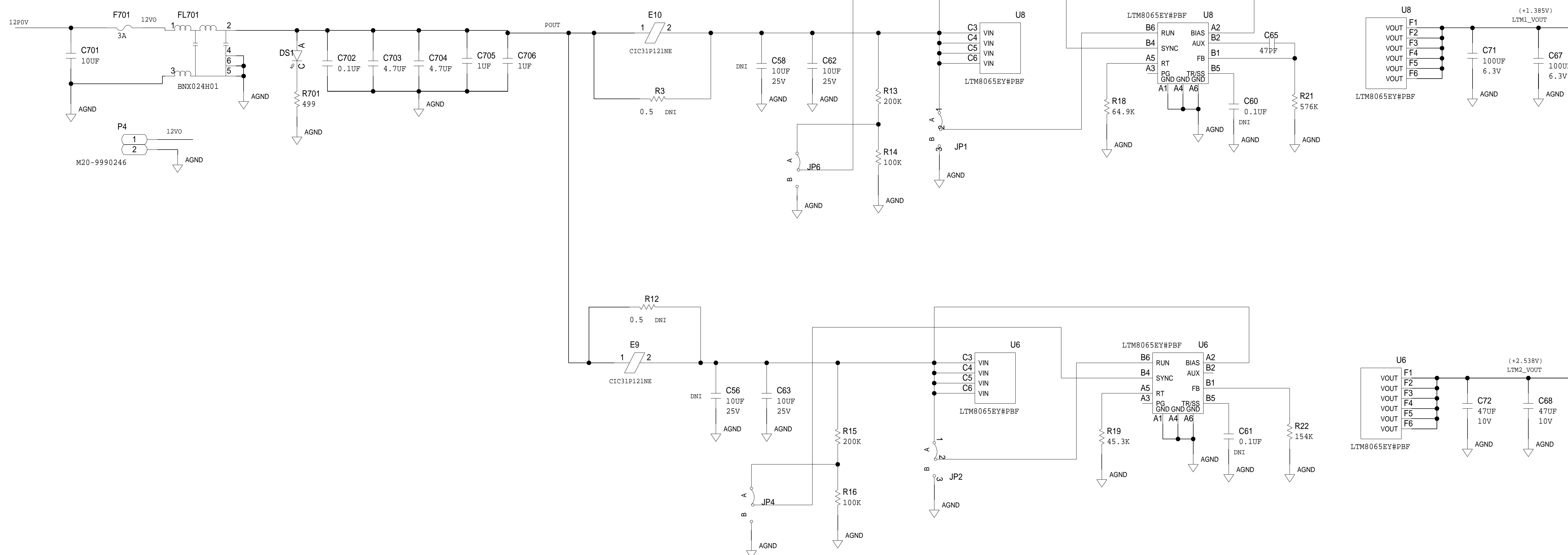


	SCHEMATIC		
	HW TYPE : Customer Evaluation Z Product(s): LTM8002 : AD9625		
	DESIGN VIEW <DESIGN_VIEW>	DRAWING NO. 02_040067	REV D
	PTD ENGINEER P. PASAQUIAN	SIZE D	SCALE 1:1
		SHEET 4 OF 8	

POWER SUPPLIES

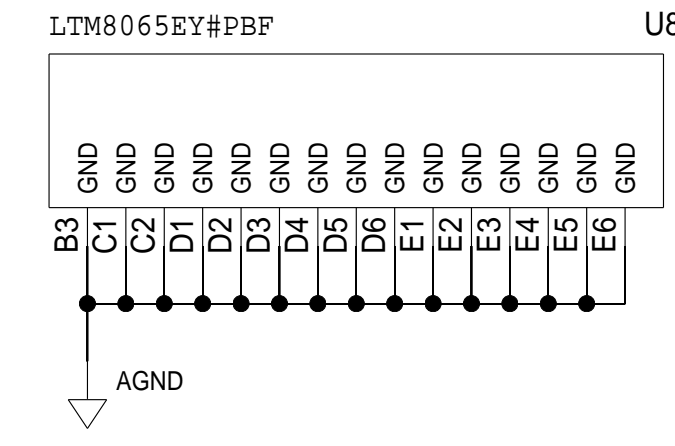
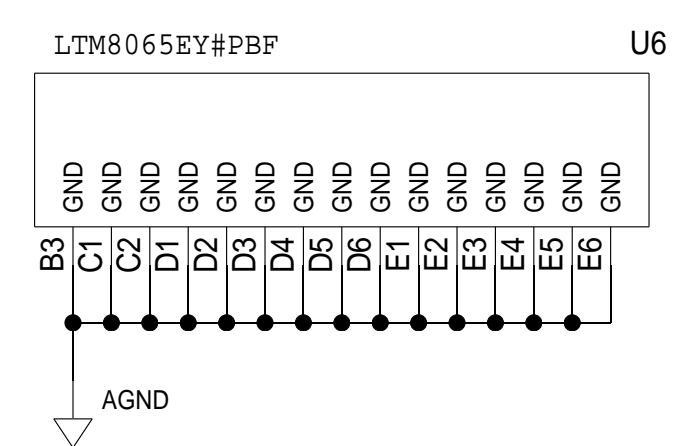
REVISIONS			
REV	DESCRIPTION	DATE	APPROVED

12V SUPPLY FROM FMC BOARD



NOTE ON BOARD CONFIGURATION:

- | | | |
|--|---|--|
| <p>SWITCHER + LC (DEFAULT):
 R21 = 576 KOHMS
 R22 = 154 KOHMS
 R5,R6,R10,R11 = OPEN
 R8,R9 = SHORT
 C1 = OPEN
 C3 = SHORT</p> | <p>SWITCHER ONLY:
 R21 = 649 KOHMS
 R22 = 154 KOHMS
 R5,R6,R10,R11 = OPEN
 R8,R9 = SHORT
 C1 = SHORT
 C3 = SHORT</p> | <p>SWITCHER + LDO:
 R21 = 383 KOHMS
 R22 = 118 KOHMS
 R5,R6,R10,R11 = SHORT
 R8,R9 = OPEN
 C1 = SHORT
 C3 = SHORT</p> |
|--|---|--|

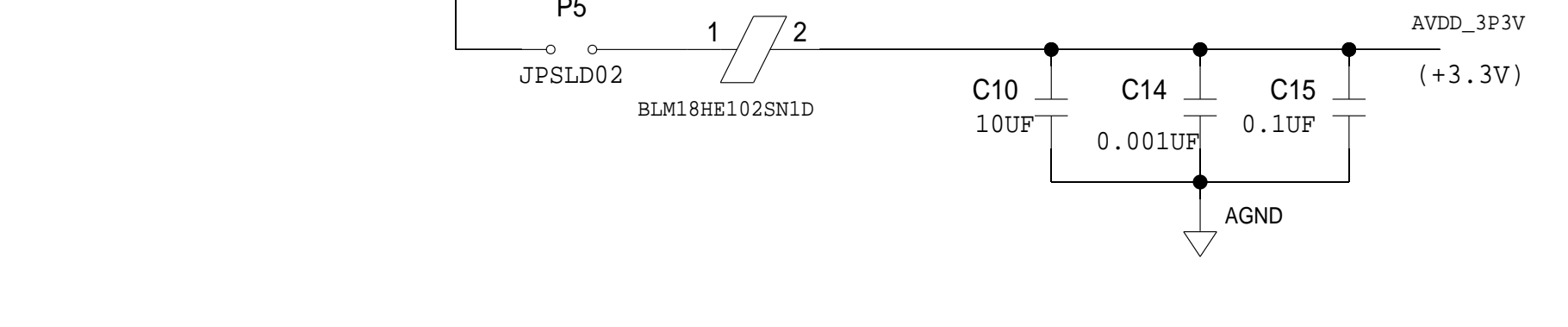
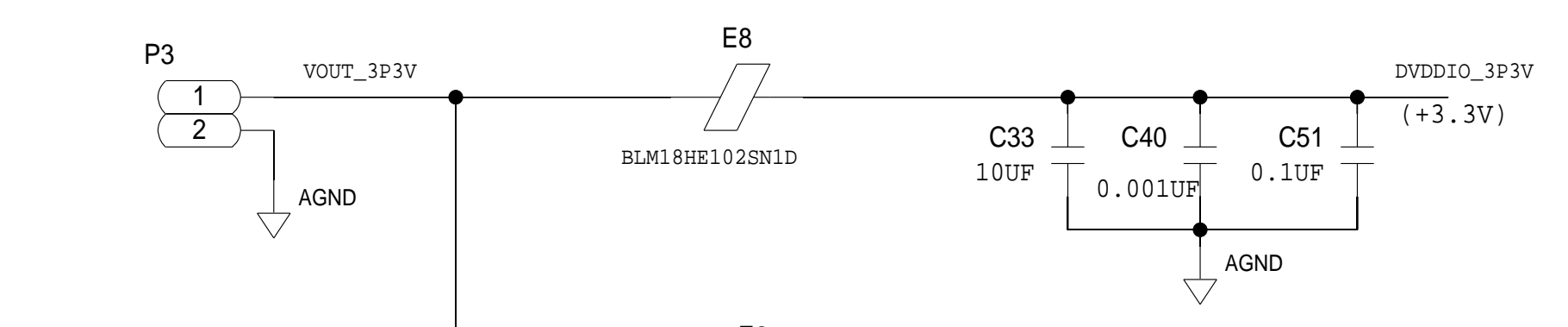
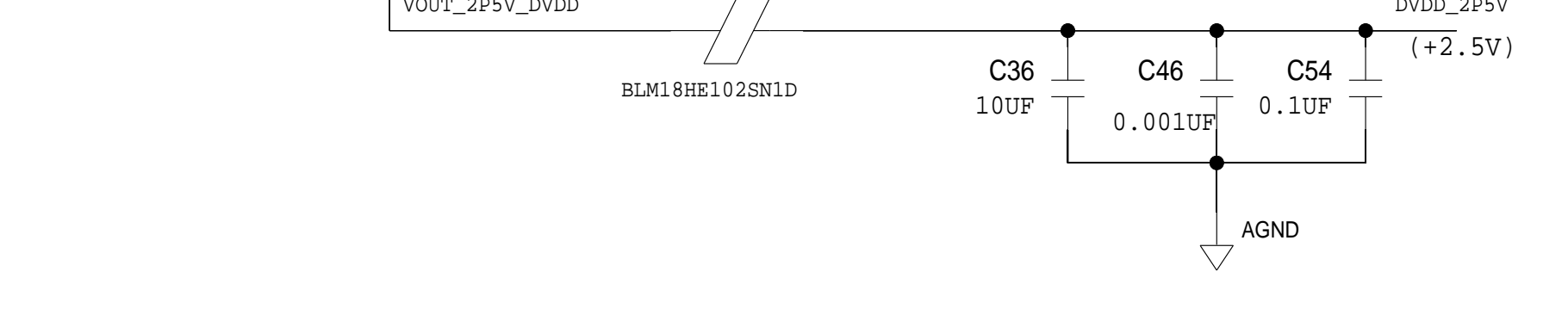
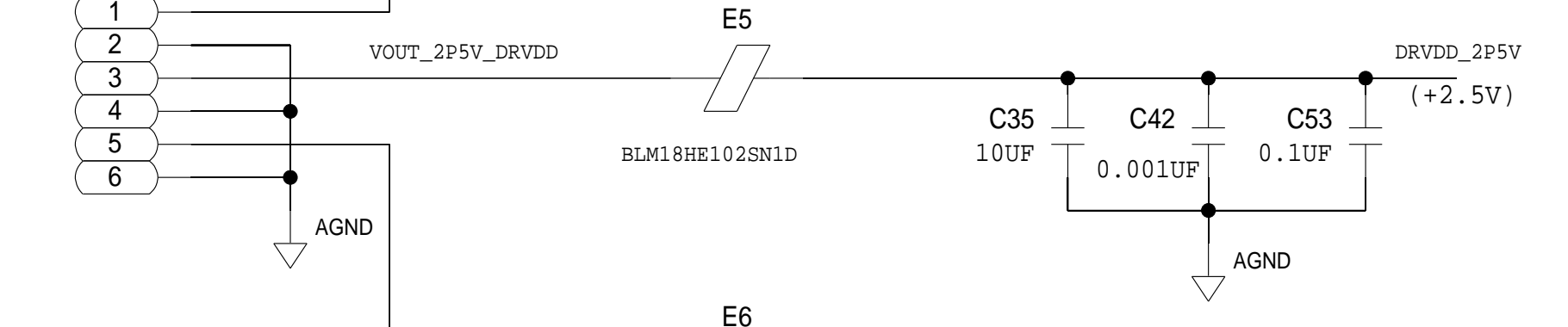
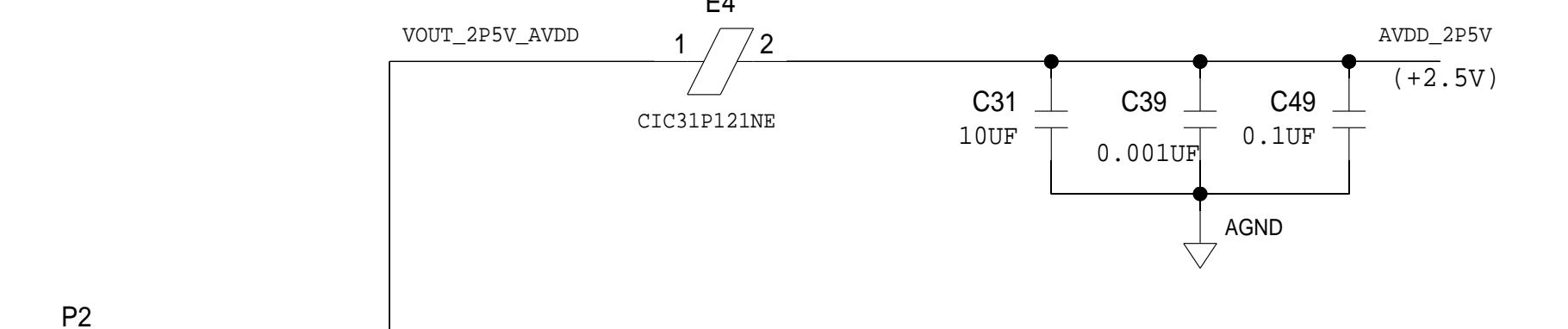
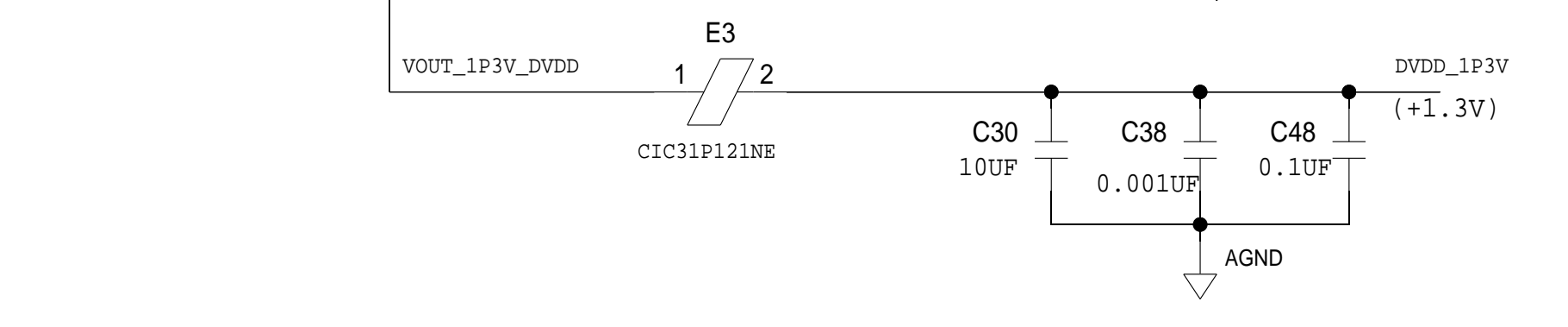
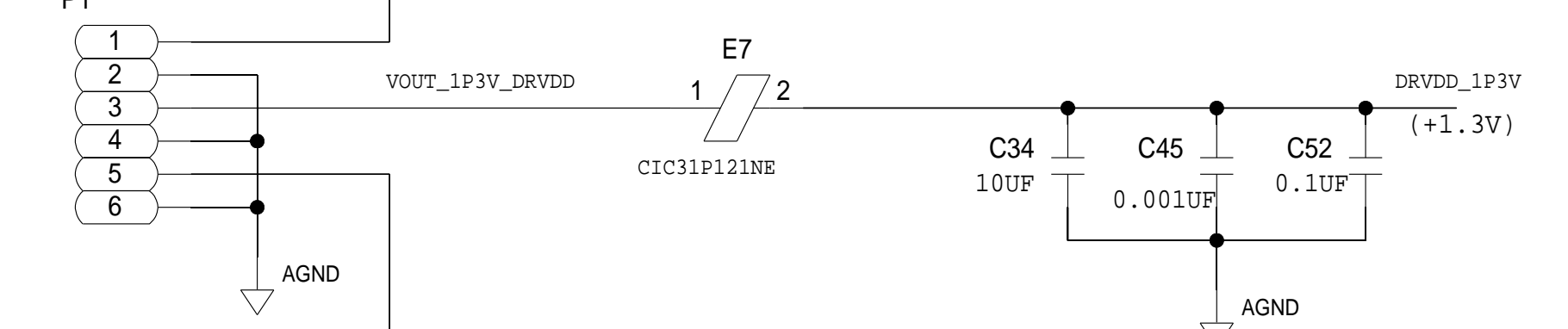
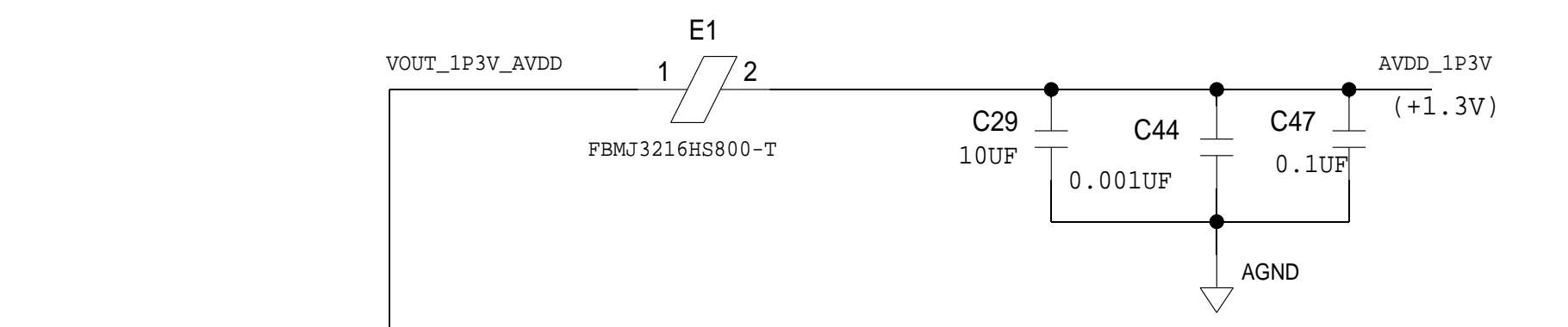
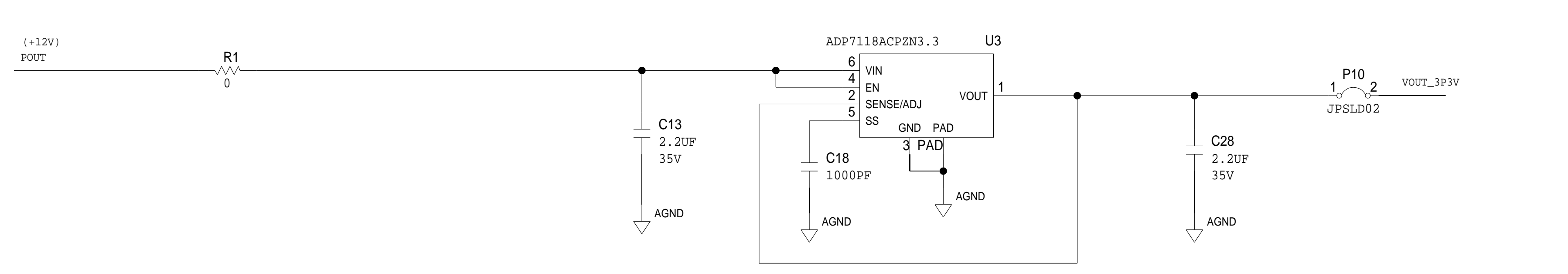
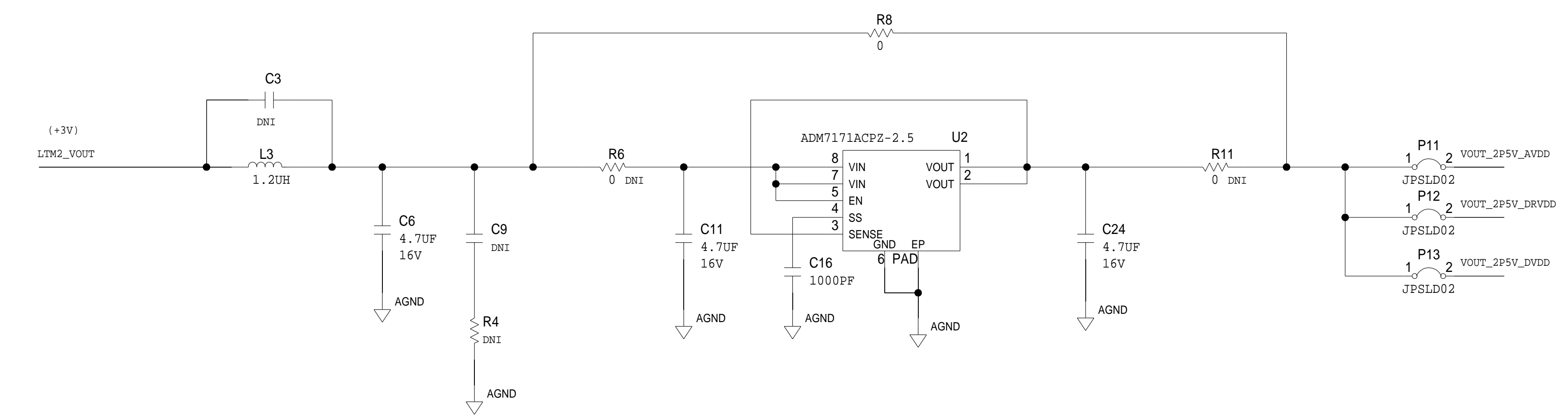
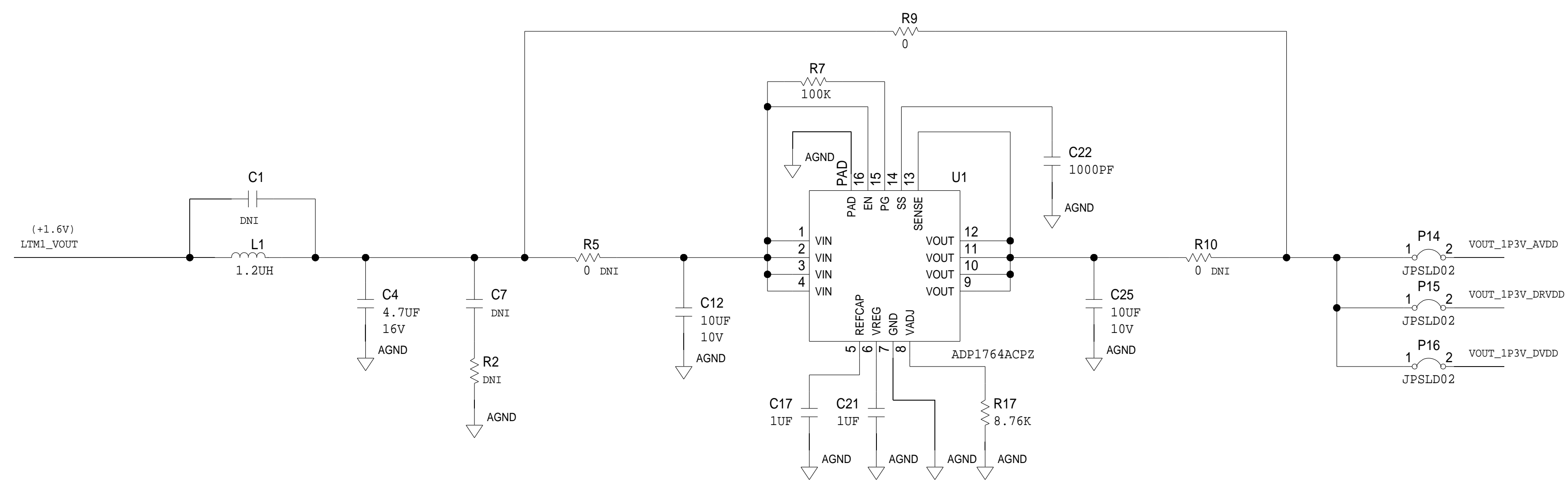


SCHEMATIC			
HW TYPE : Customer Evaluation Z Product(s) : LTM8002 : AD9625		DESIGN VIEW <DESIGN_VIEW>	
PTD ENGINEER P. PASAQUIAN		DRAWING NO. 02_040067	REV D
SIZE D	SCALE 1:1	SHEET 5 OF 8	

THIS DRAWING IS THE PROPERTY OF ANALOG DEVICES INC. IT IS NOT TO BE REPRODUCED OR COPIED, IN WHOLE OR IN PART, OR USED IN FURNISHING INFORMATION TO OTHERS, OR FOR ANY OTHER PURPOSE DETRIMENTAL TO THE INTERESTS OF ANALOG DEVICES. THE EQUIPMENT SHOWN HEREON MAY BE PROTECTED BY PATENTS OWNED OR CONTROLLED BY ANALOG DEVICES.

POWER SUPPLIES (CONT.)

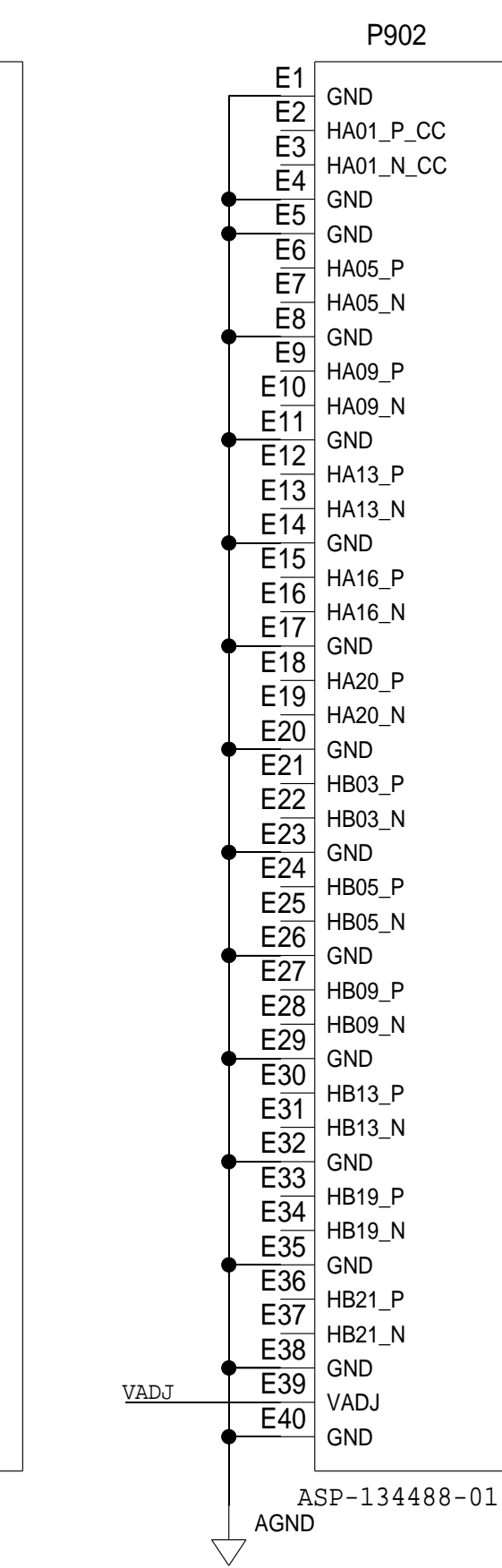
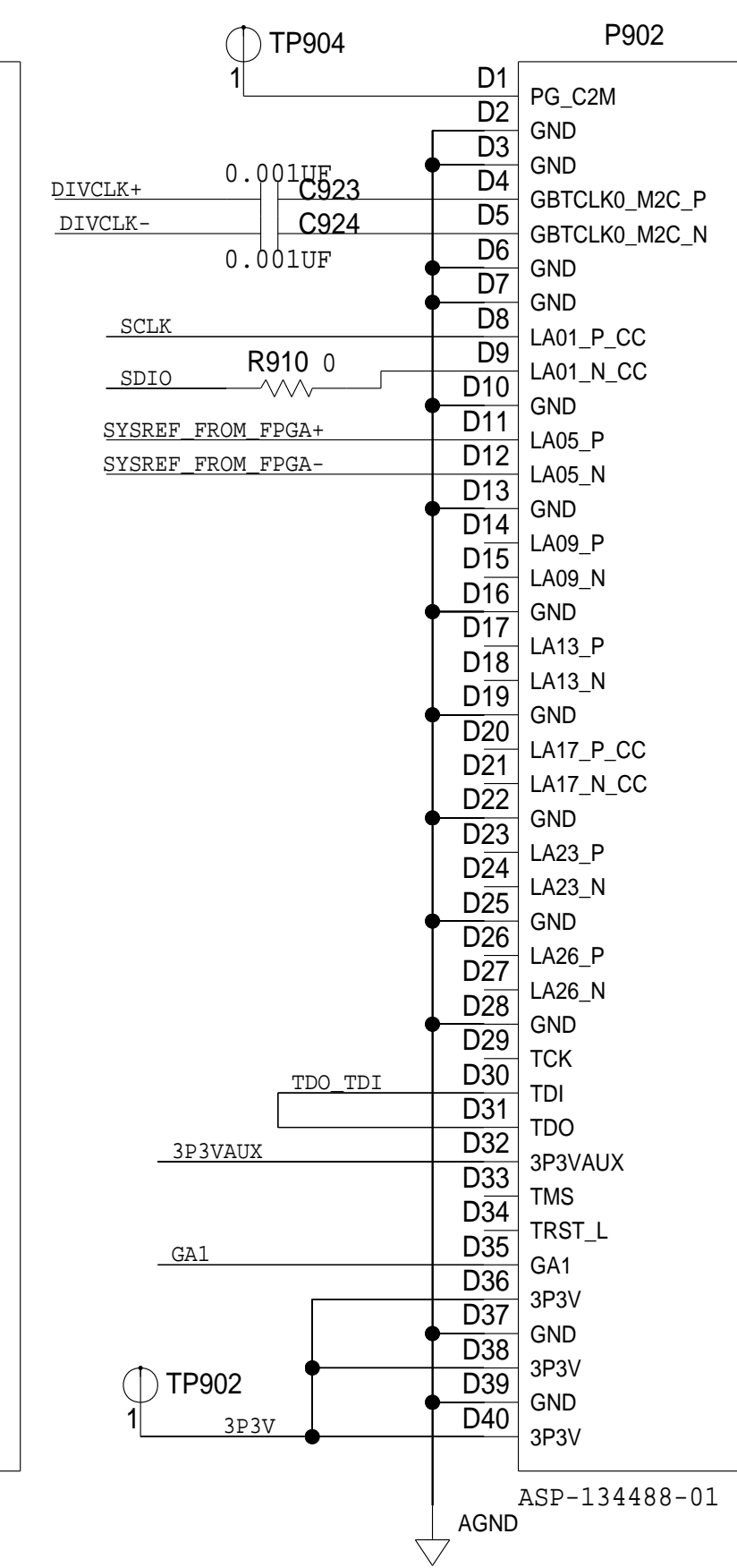
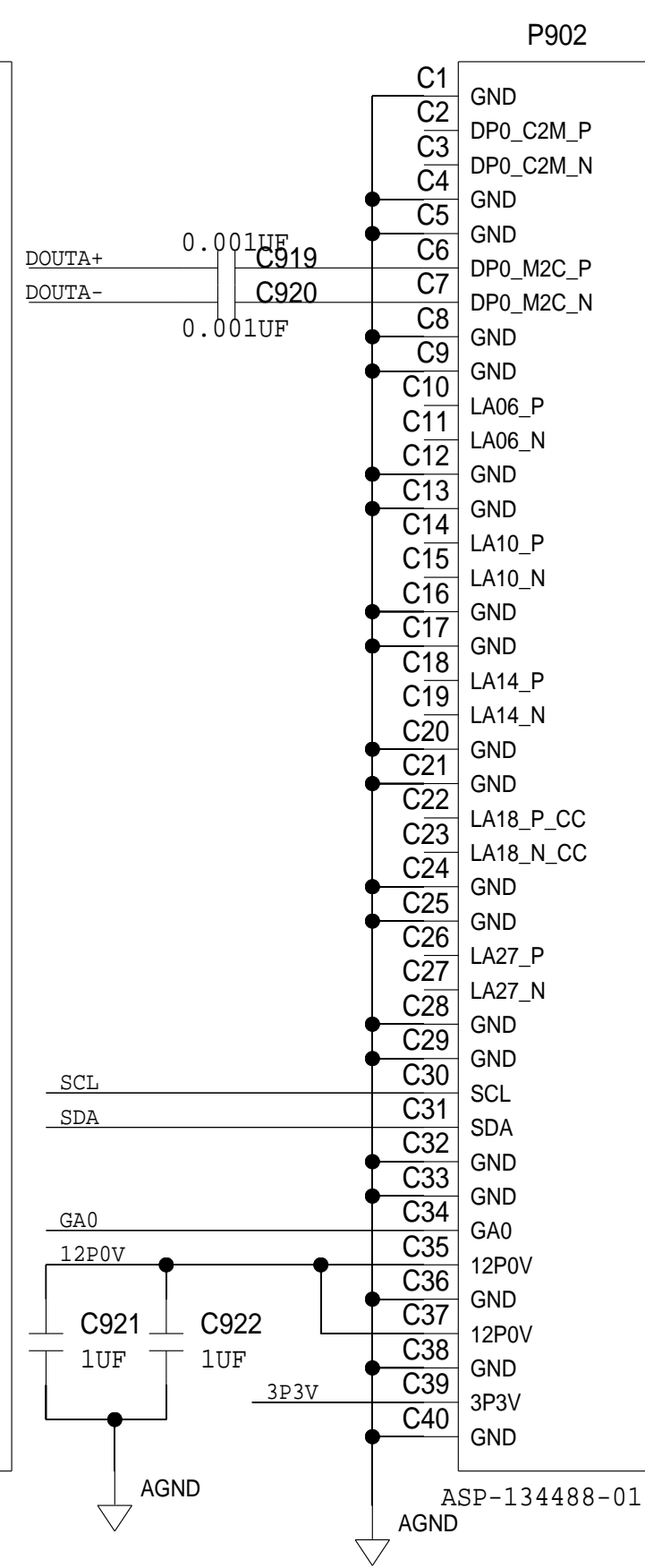
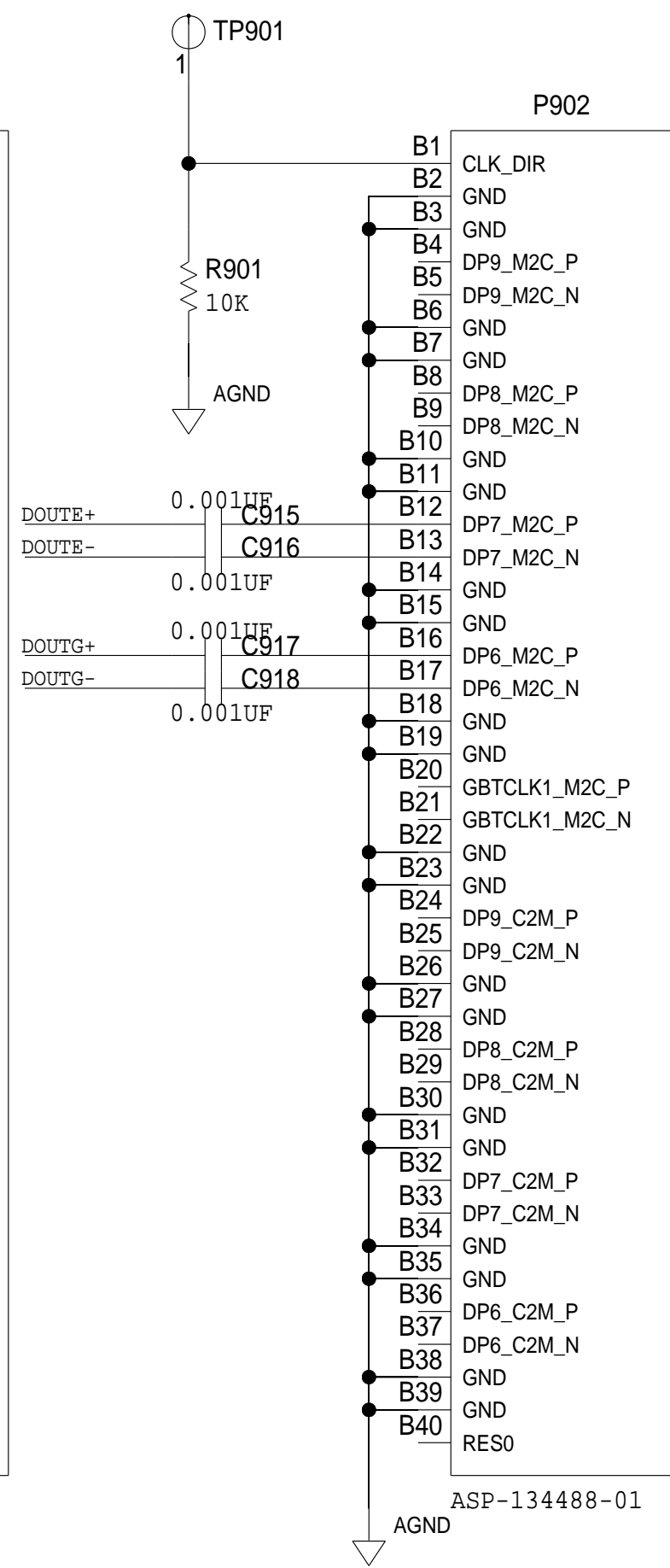
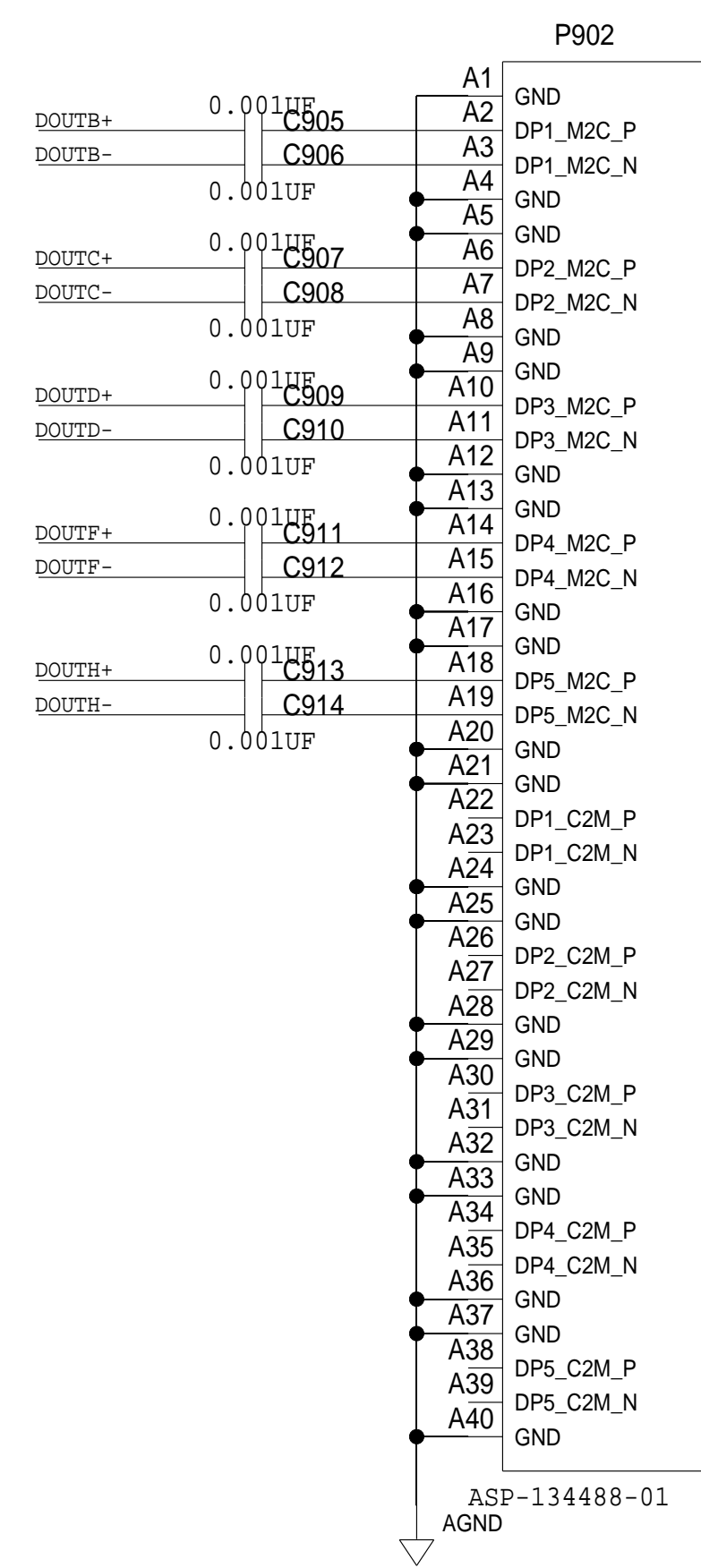
REVISIONS			
REV	DESCRIPTION	DATE	APPROVED



	SCHEMATIC		
	HW TYPE : Customer Evaluation Z Product(s) : LTM8002 : AD9625		
DESIGN VIEW <DESIGN_VIEW>	DRAWING NO. 02_040067	REV D	
PTD ENGINEER P. PASAQUIAN	SIZE D	SCALE 1:1	SHEET 6 OF 8

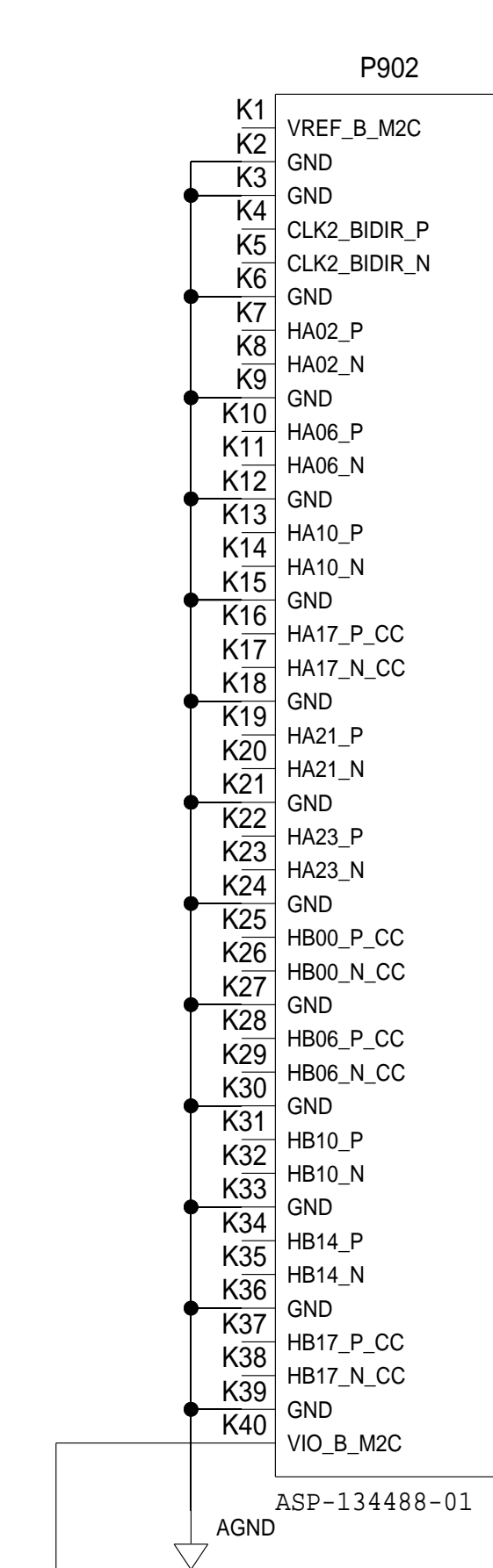
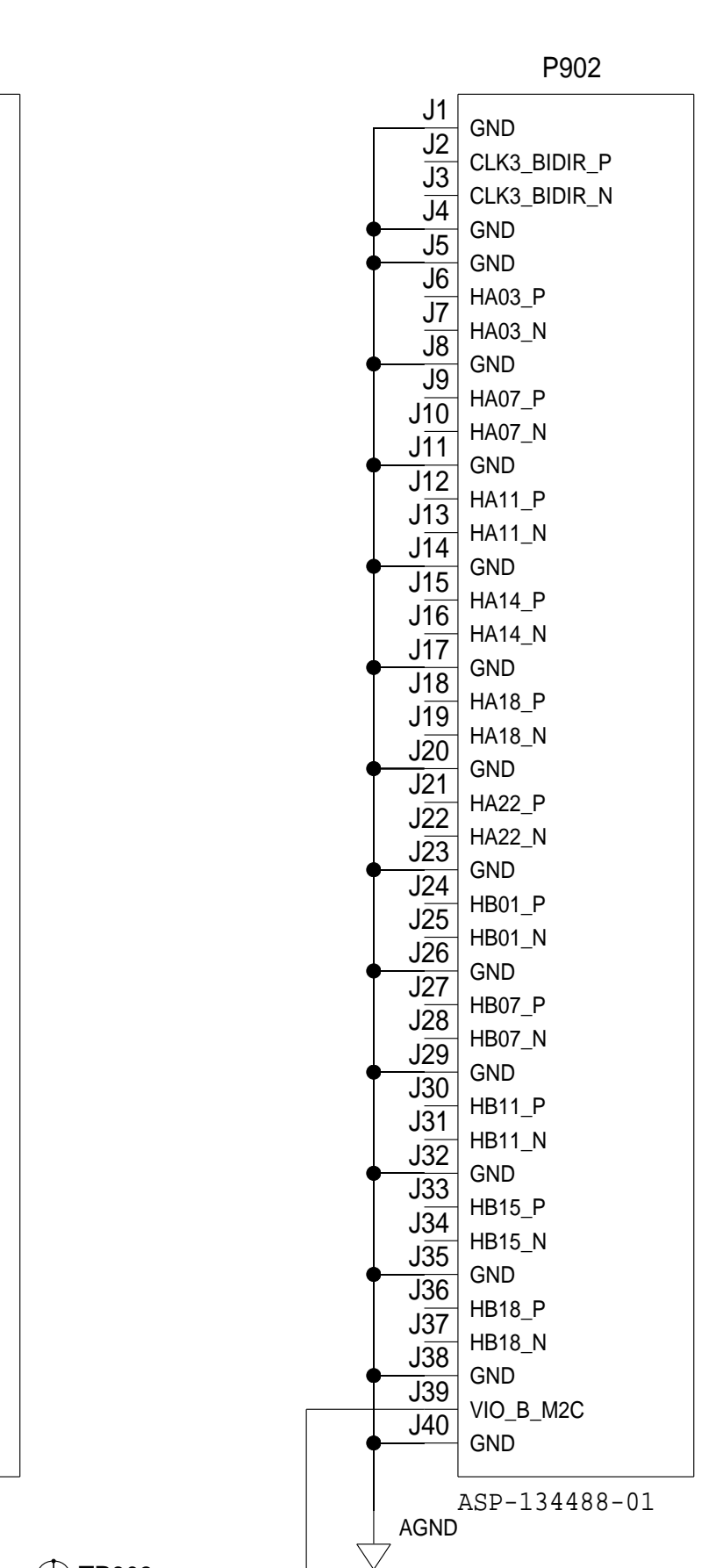
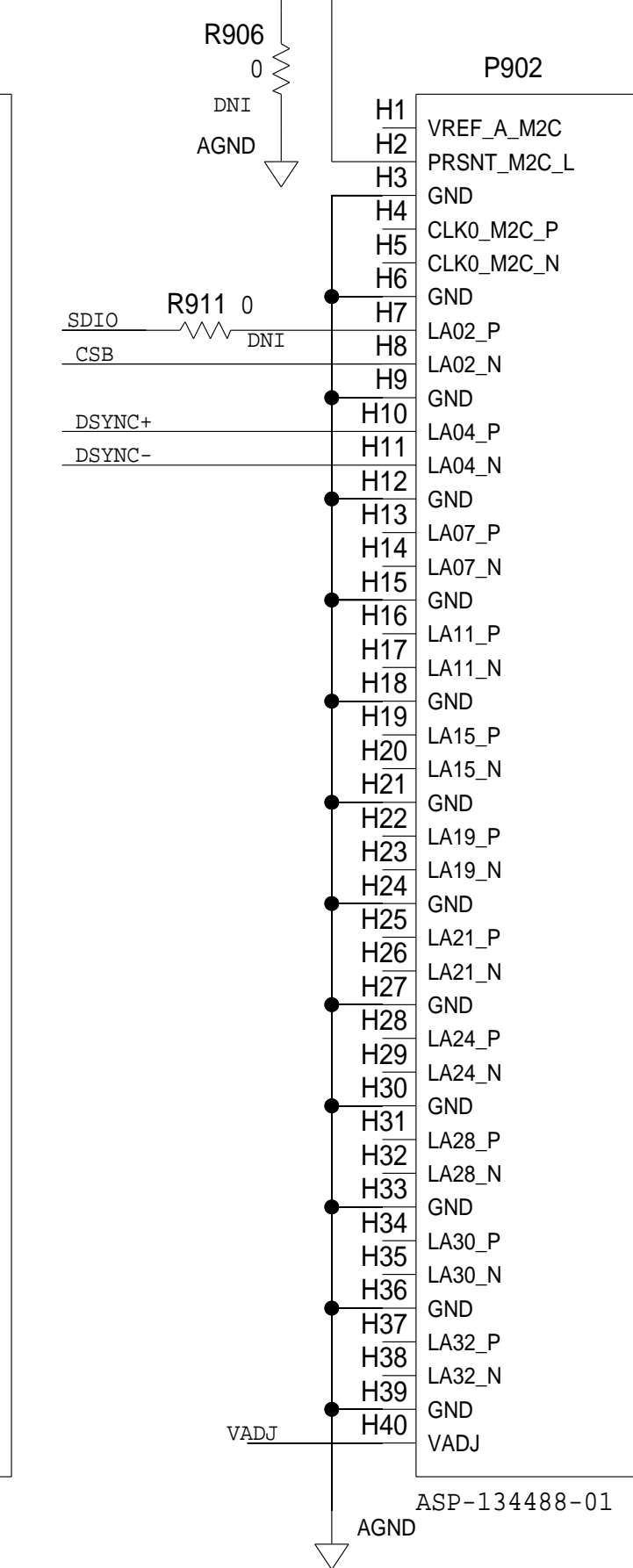
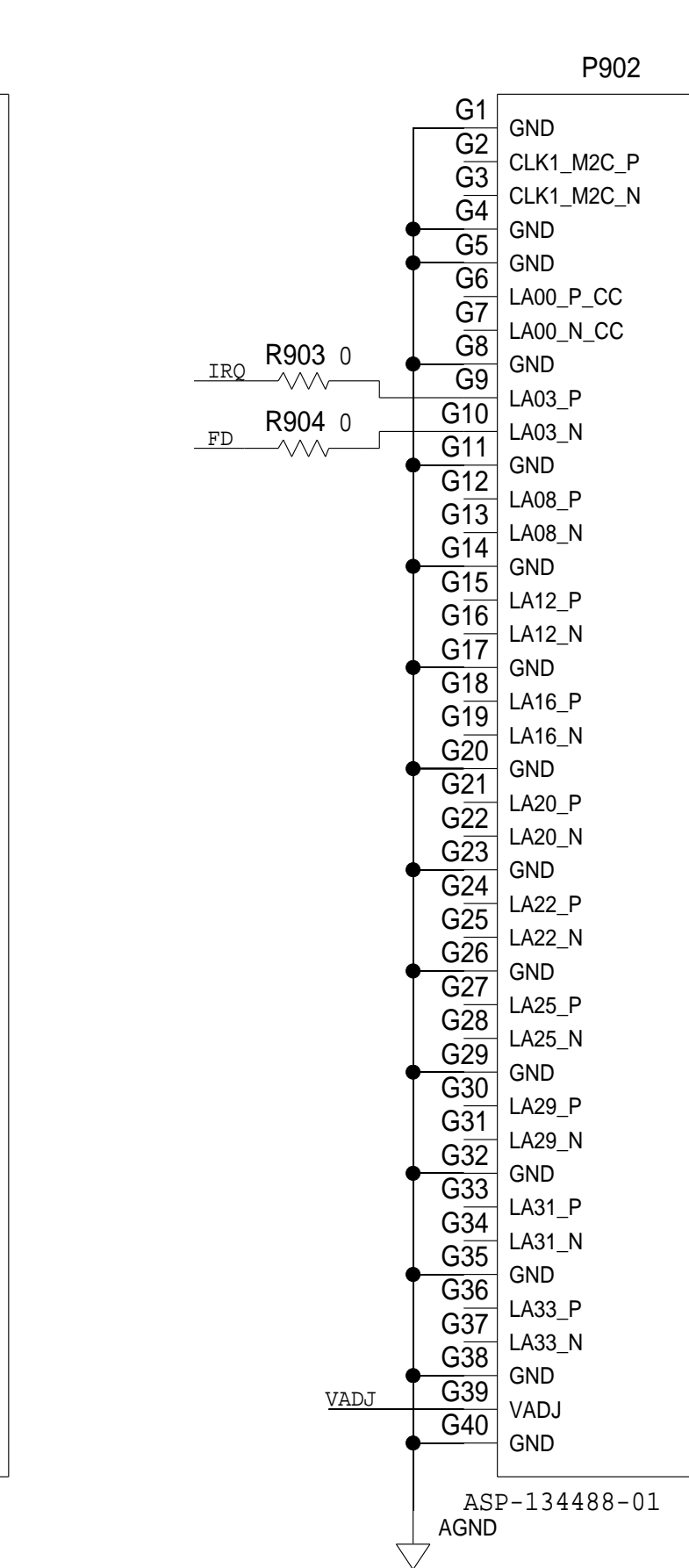
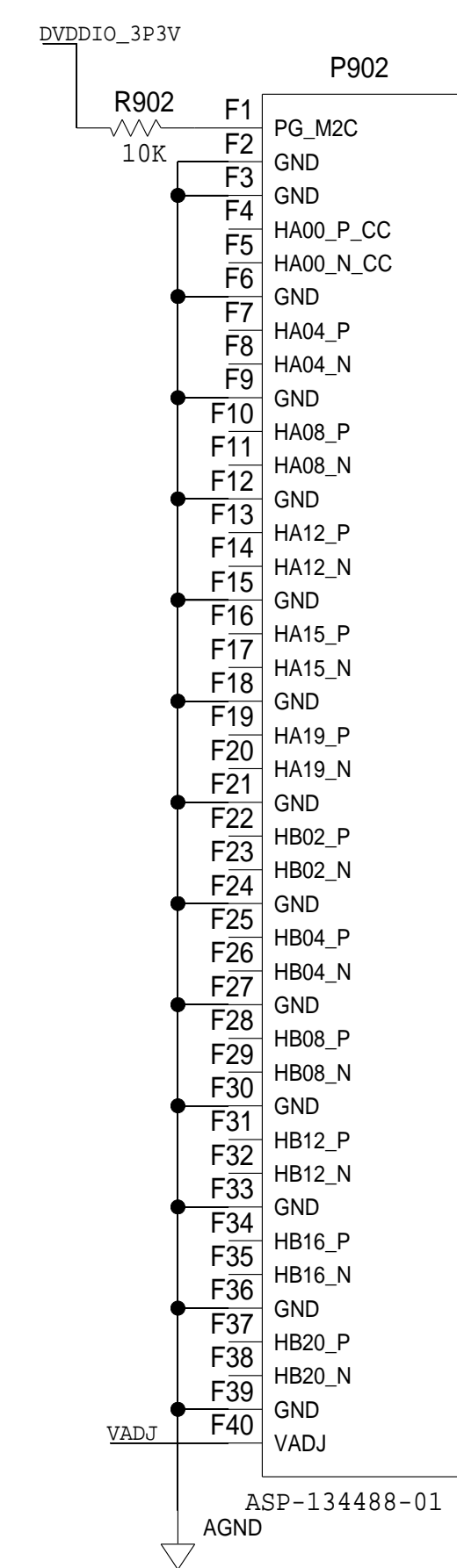
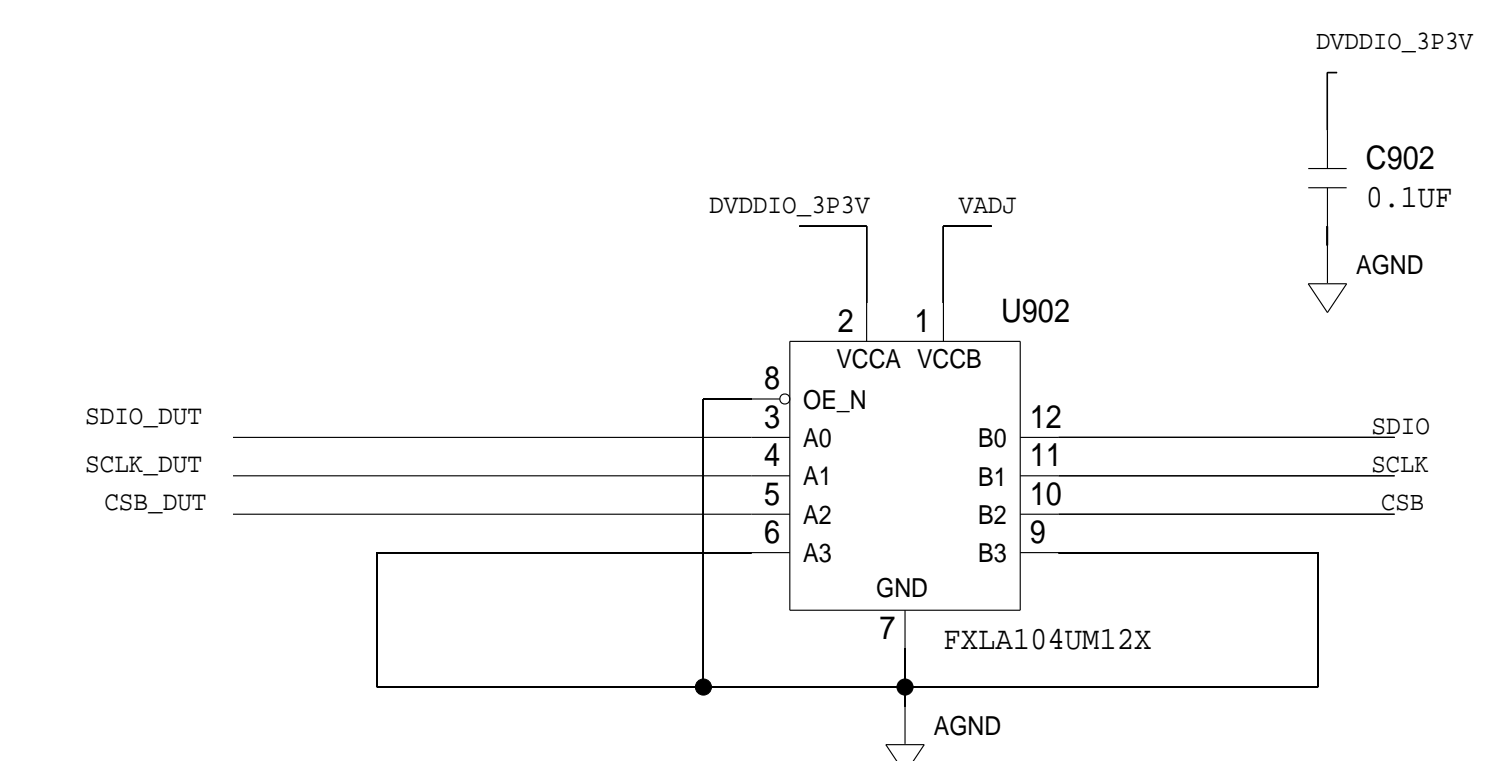
FPGA CONNECTIONS

REVISIONS			
REV	DESCRIPTION	DATE	APPROVED

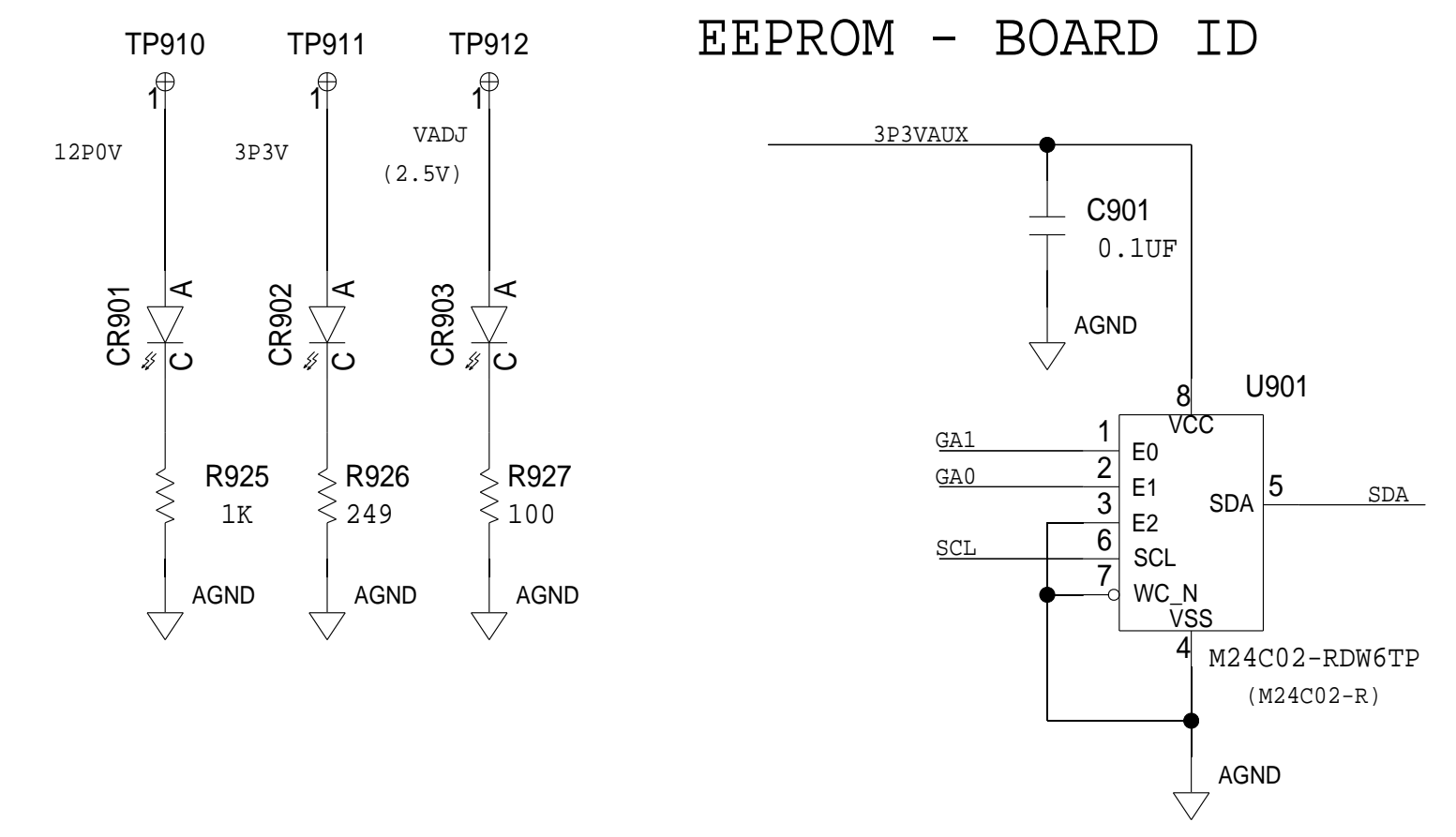


SPI CIRCUITRY

DUT SPI TO USB/FPGA SPI



EEPROM - BOARD ID



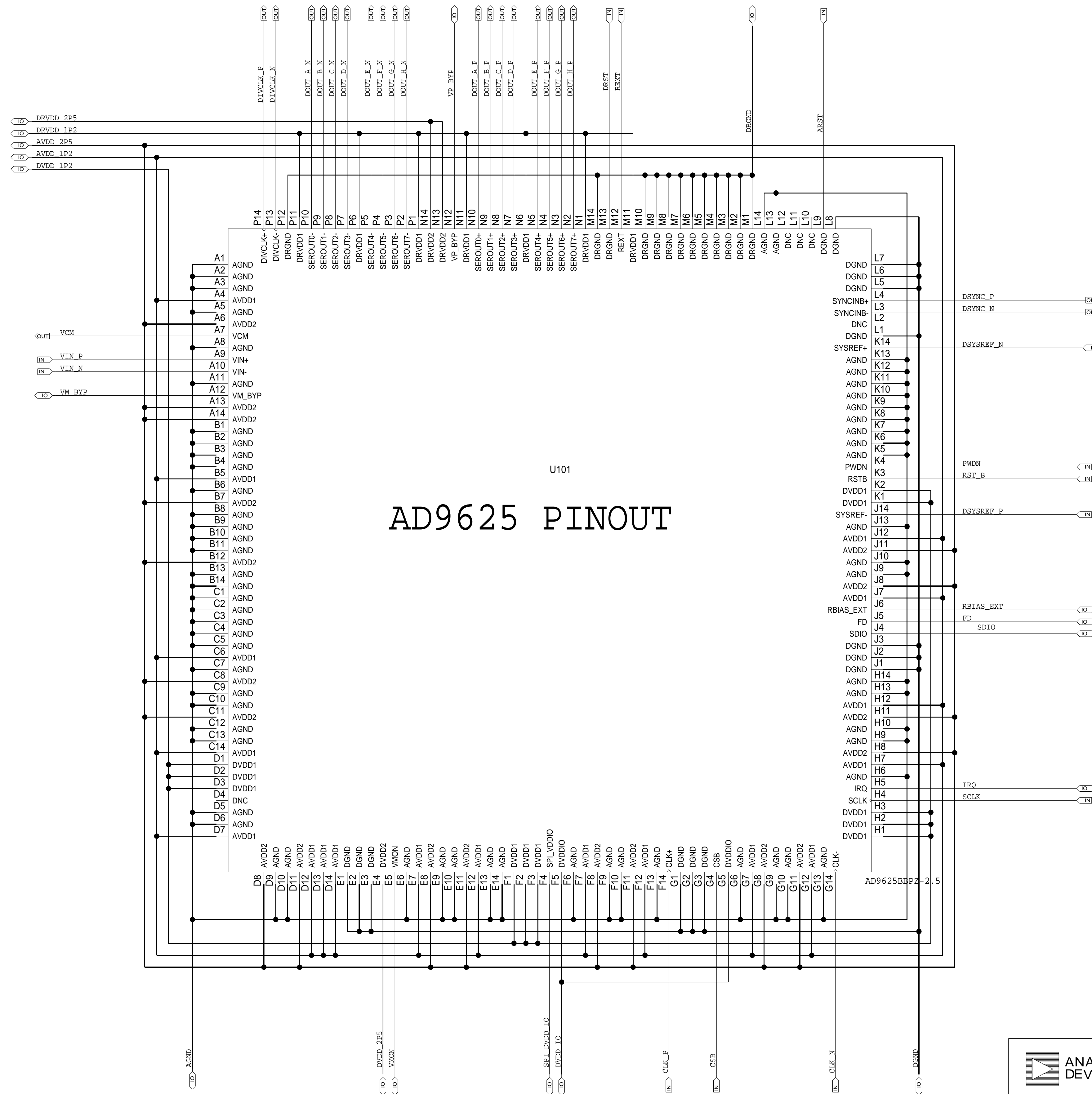
SCHEMATIC			
ANALOG DEVICES		HW TYPE : Customer Evaluation Z Product(s) : LTM8002 : AD9625	
DESIGN VIEW <DESIGN_VIEW>	DRAWING NO. 02_040067	REV D	
PTD ENGINEER P. PASAQUIAN	SIZE D	SCALE 1:1	SHEET 7 OF 8

THIS DRAWING IS THE PROPERTY OF ANALOG DEVICES INC. IT IS NOT TO BE REPRODUCED OR COPIED, IN WHOLE OR IN PART, OR USED IN ANY MANNER WITHOUT THE WRITTEN PERMISSION OF ANALOG DEVICES. THE EQUIPMENT SHOWN HEREIN MAY BE PROTECTED BY PATENTS OWNED OR CONTROLLED BY ANALOG DEVICES.

POWER/GND CONNECTIONS

SIGNAL RENAMING

REVISIONS			
REV	DESCRIPTION	DATE	APPROVED



	SCHEMATIC		
	HW TYPE : Customer Evaluation Z Product(s) : LTM8002 : AD9625		
DESIGN VIEW <DESIGN_VIEW>	DRAWING NO. 02_040067	REV D	
PTD ENGINEER P. PASAQUIAN	SIZE D	SCALE 1:1	SHEET 8 OF 8

THIS DRAWING IS THE PROPERTY OF ANALOG DEVICES INC. IT IS NOT TO BE REPRODUCED OR COPIED, IN WHOLE OR IN PART, OR USED IN FURNISHING INFORMATION TO OTHERS, OR FOR ANY OTHER PURPOSE DETRIMENTAL TO THE INTERESTS OF ANALOG DEVICES. THE EQUIPMENT SHOWN HEREIN MAY BE PROTECTED BY PATENTS OWNED OR CONTROLLED BY ANALOG DEVICES.