

8 7 6 5 4 3 2 1

THIS DRAWING IS THE PROPERTY OF ANALOG DEVICES INC. IT IS NOT TO BE REPRODUCED OR COPIED, IN WHOLE OR IN PART, OR USED IN FURNISHING INFORMATION TO OTHERS, OR FOR ANY OTHER PURPOSE DETRIMENTAL TO THE INTERESTS OF ANALOG DEVICES. THE EQUIPMENT SHOWN HEREON MAY BE PROTECTED BY PATENTS OWNED OR CONTROLLED BY ANALOG DEVICES.

REVISIONS			
REV	DESCRIPTION	DATE	APPROVED
A	INITIAL RELEASE	22JUL21	V.JEEVANNAVAR
B	AS PER ECR-104598	25OCT21	V.JEEVANNAVAR
B1	AS PER ECR-106224	21DEC21	V.JEEVANNAVAR

# EVAL-AD7195-ARDZ SCHEMATIC REV (B)

PAGE 2 - POWER CIRCUITRY

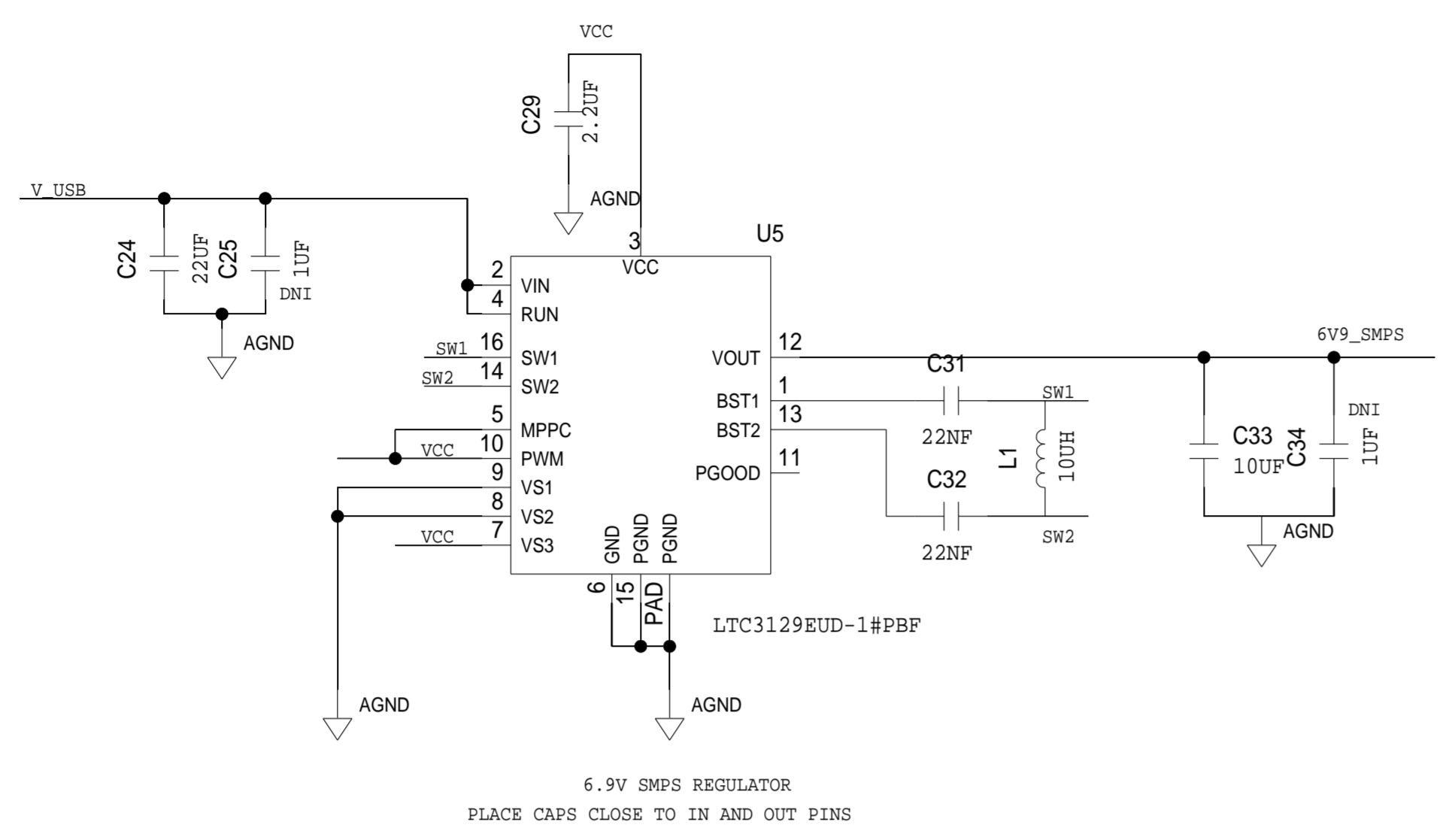
PAGE 3 - AD7195 CIRCUITRY

PAGE 4 - ARDUINO HEADER, PMOD & SDP CONNECTOR

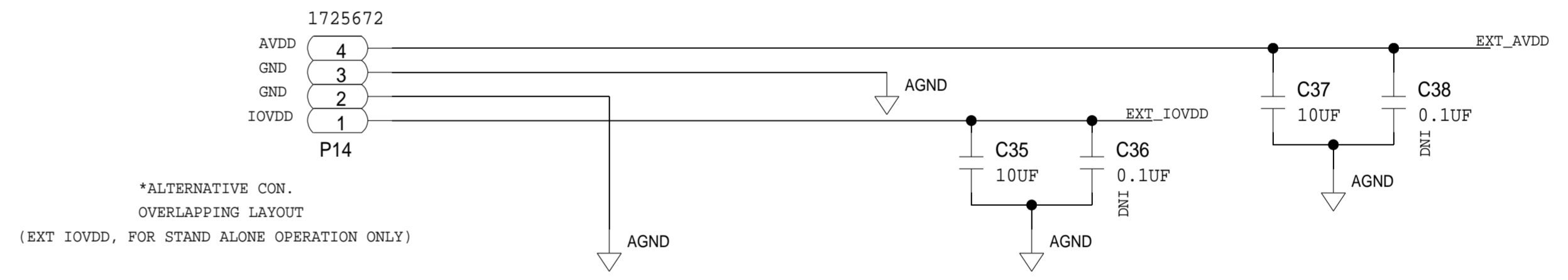
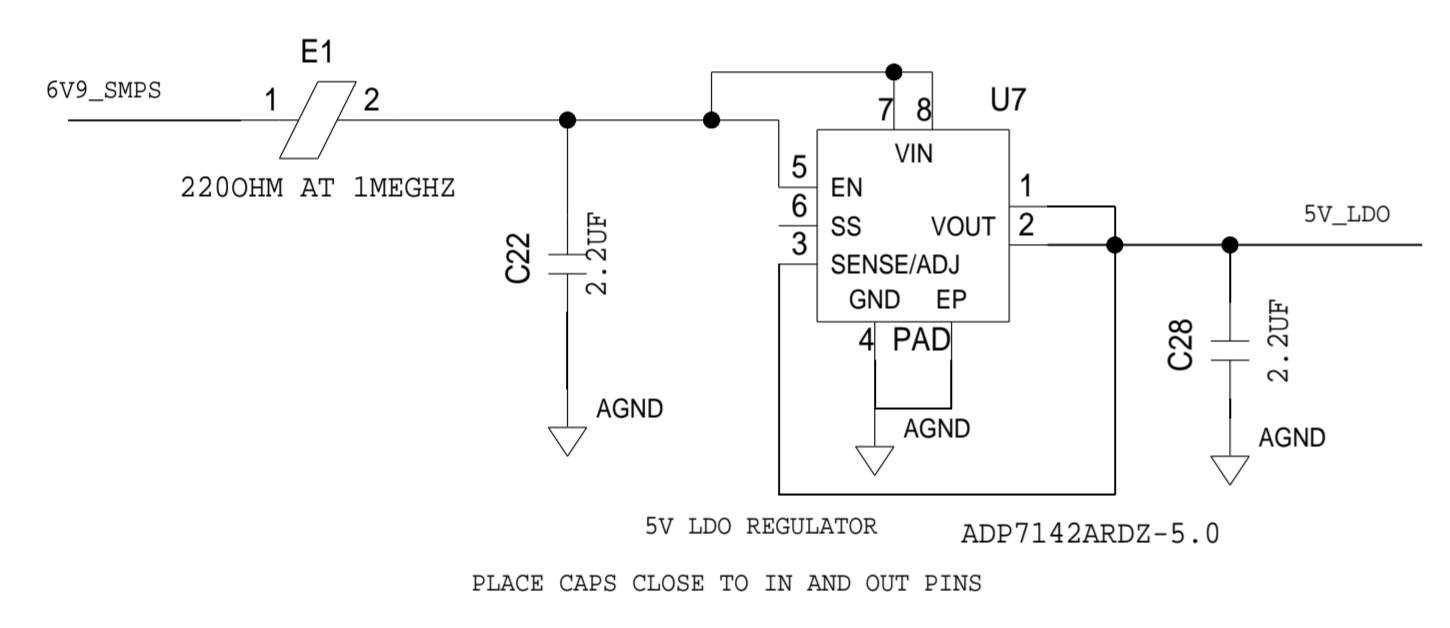
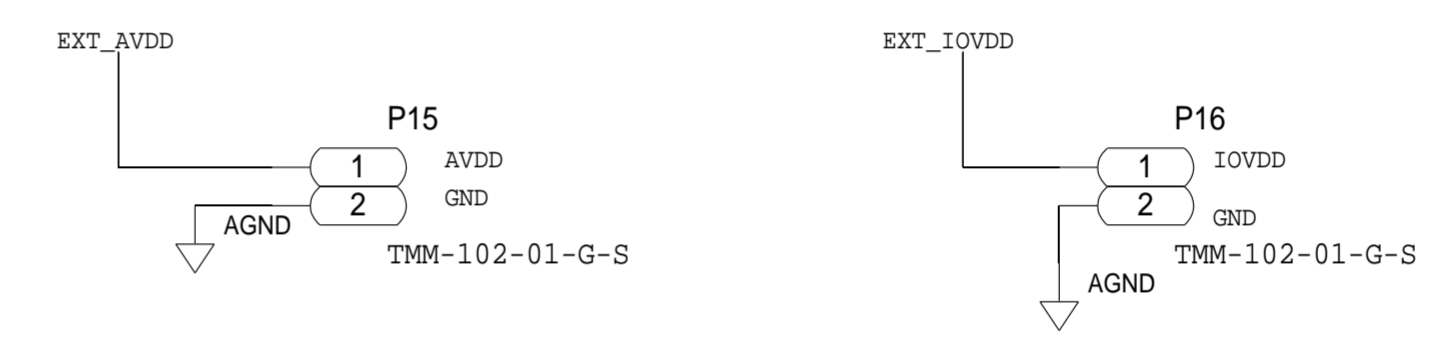
P.O SPEC.	BK/BD SPEC.	SOCKET OEM	OEM PART#	HANDLER

TEMPLATE ENGINEER -	DATE 22JUL21	<b>SCHEMATIC</b>		
HARDWARE SERVICES M. VALE	22JUL21			
HARDWARE SYSTEMS -		HW TYPE : Customer Evaluation Z		
TEST ENGINEER -		Product(s) : AD7195		
COMPONENT ENGINEER M. YAN	22JUL21	: AD7190,AD7191,92,93,94		
TEST PROCESS -		PACKAGE : LeadCount-lead BodySize PackageType-family		
HARDWARE RELEASE K. JABATAN	22JUL21	: Pitch-pitch StyleVendor Style		
DESIGNER S.DE CASTRO	22JUL21	MASTER PROJECT TEMPLATE TBD	TESTER TEMPLATE 064489_c	DRAWING NO. 02_068126
PTD ENGINEER V. JEEVANNAVAR	22JUL21	UNLESS OTHERWISE SPECIFIED DIMENSIONS ARE IN INCHES		
CHECKER -		TOLERANCES		
		DECIMALS X.XX +0.010 X.XXX +0.005	FRACTIONS +1/32	ANGLES +2
		SIZE <b>D</b>	SCALE 1:1	CODE ID NO. CodeID
				SHEET 1 OF 4
				REV. B

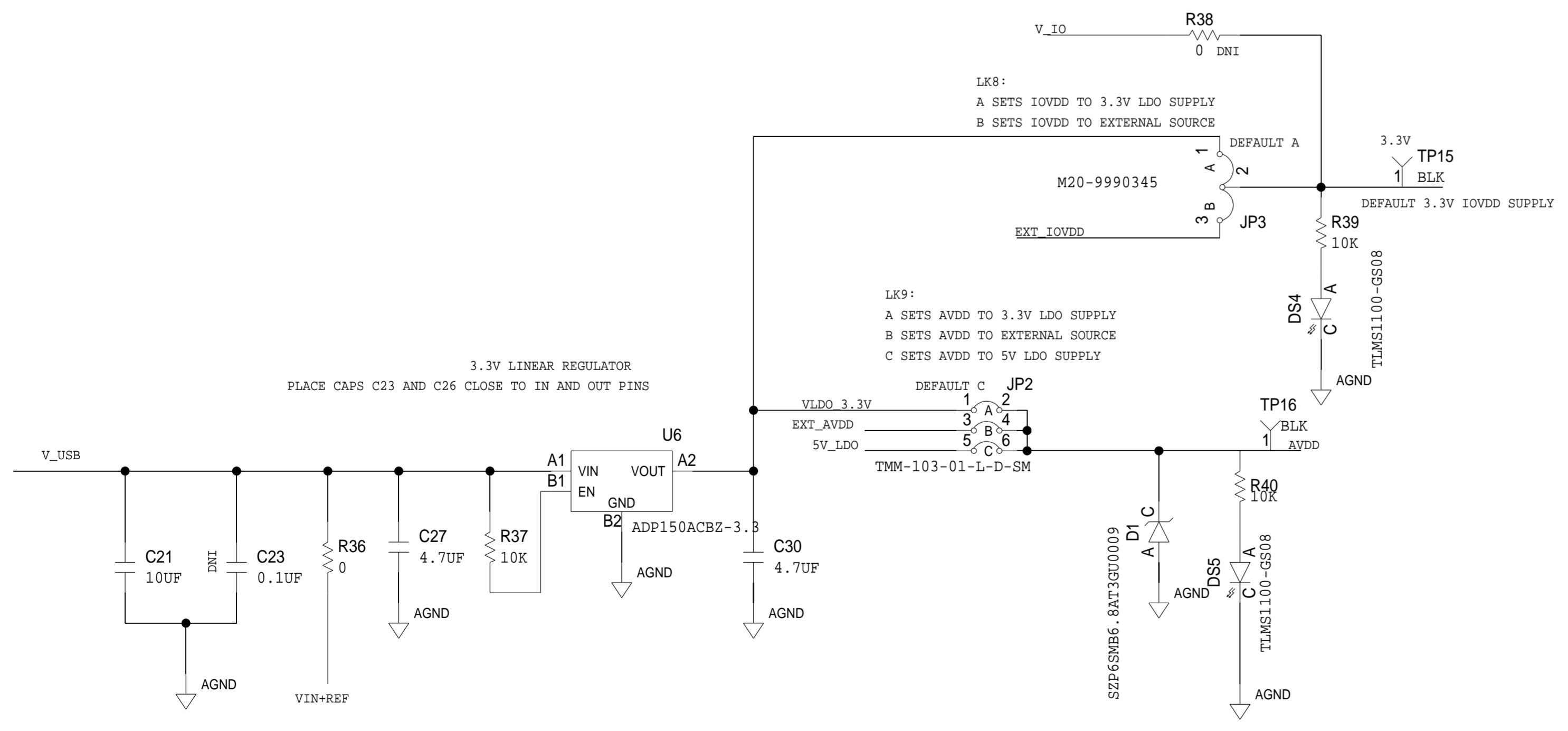
REVISIONS			
REV	DESCRIPTION	DATE	APPROVED



EXTERNAL VOLTAGE CONNECTOR FOR SCP BOARDS

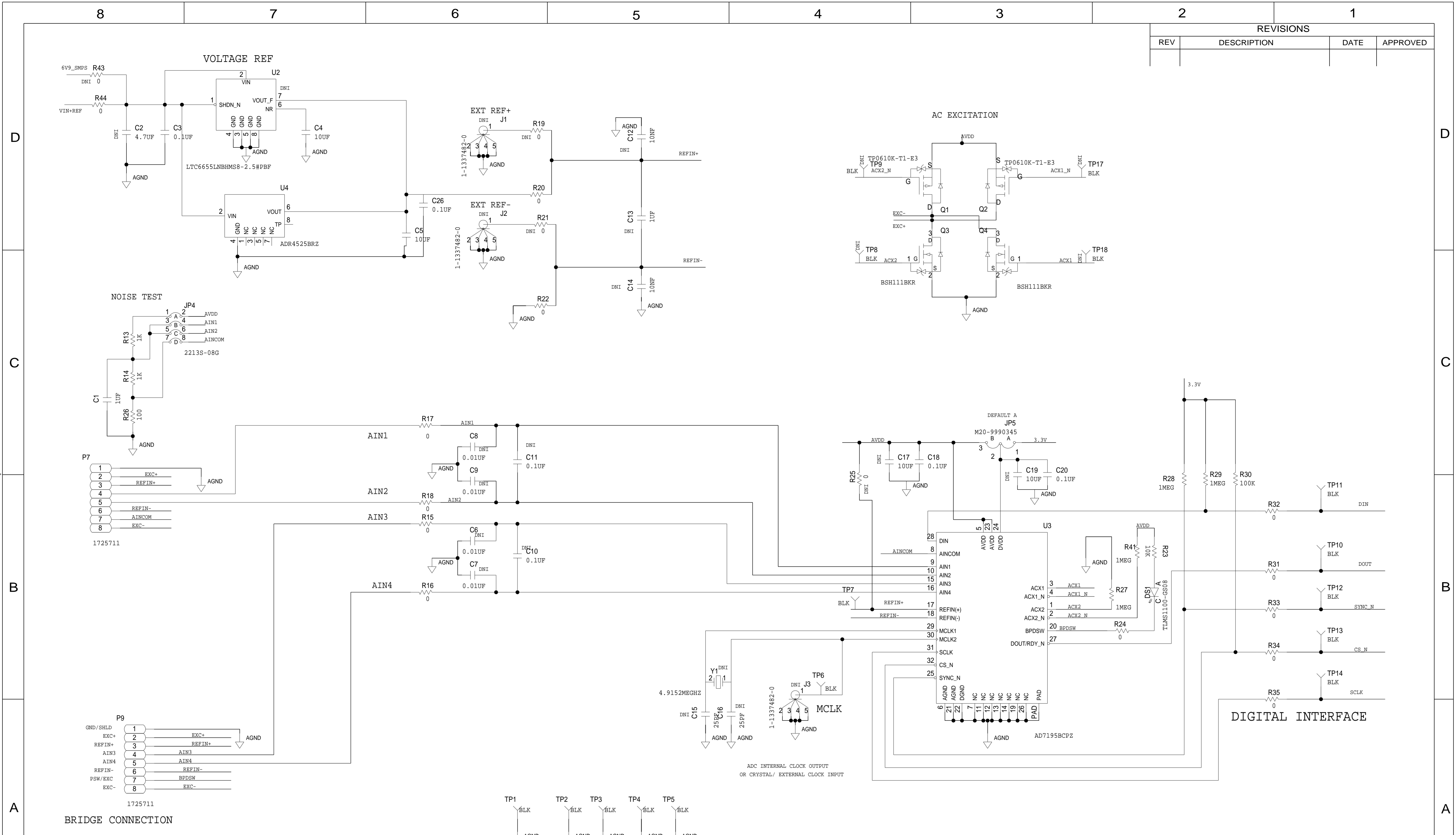


3.3V LINEAR REGULATOR



SCHEMATIC			
		HW TYPE : Customer Evaluation Z Product(s) : AD7195 : AD7190,AD7191,92,93,94	
DESIGN VIEW <DESIGN_VIEW>	DRAWING NO. 02_068126	REV B	
PTD ENGINEER V. JEEVANNAVAR	SIZE D	SCALE 1:1	SHEET 2 OF 4

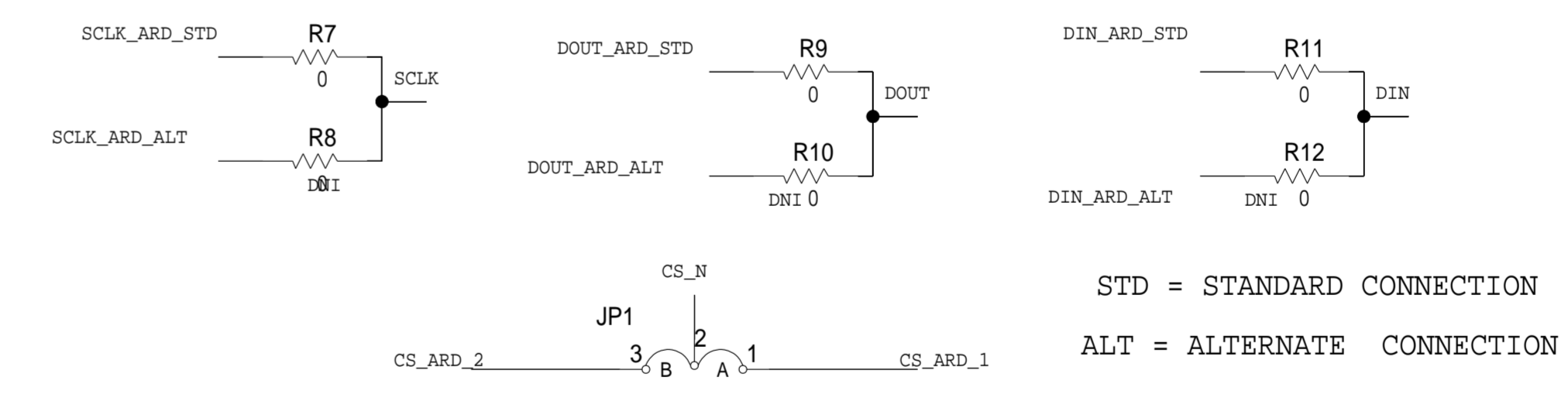
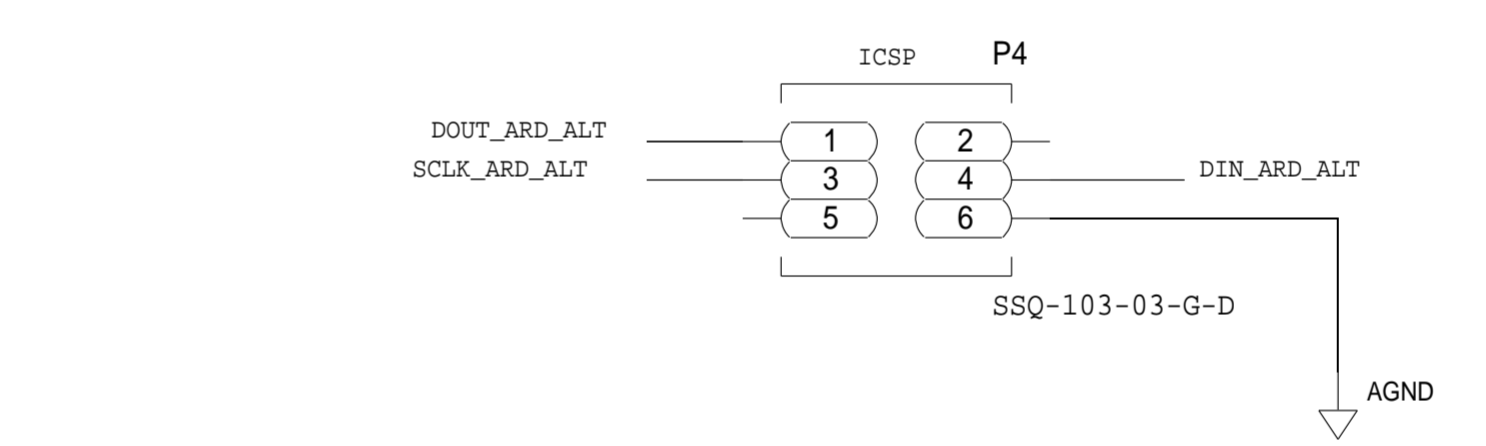
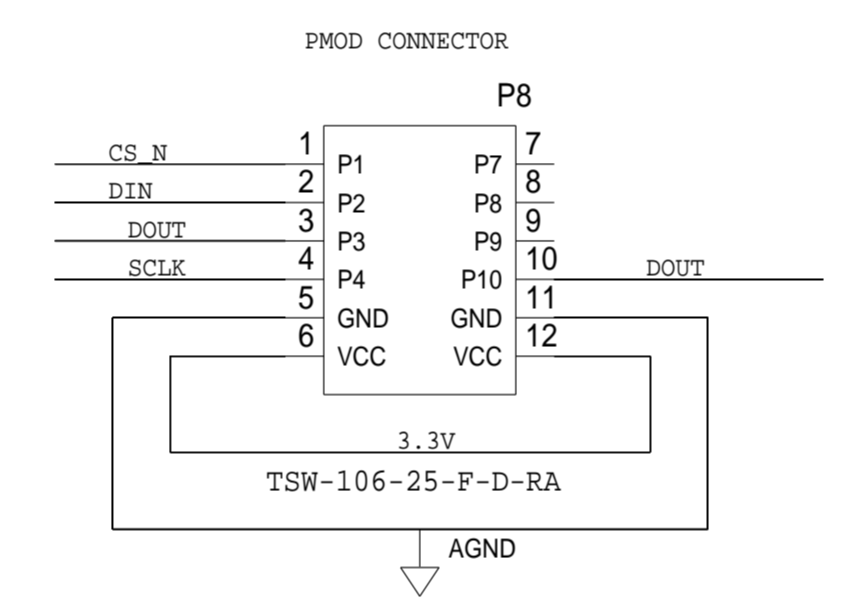
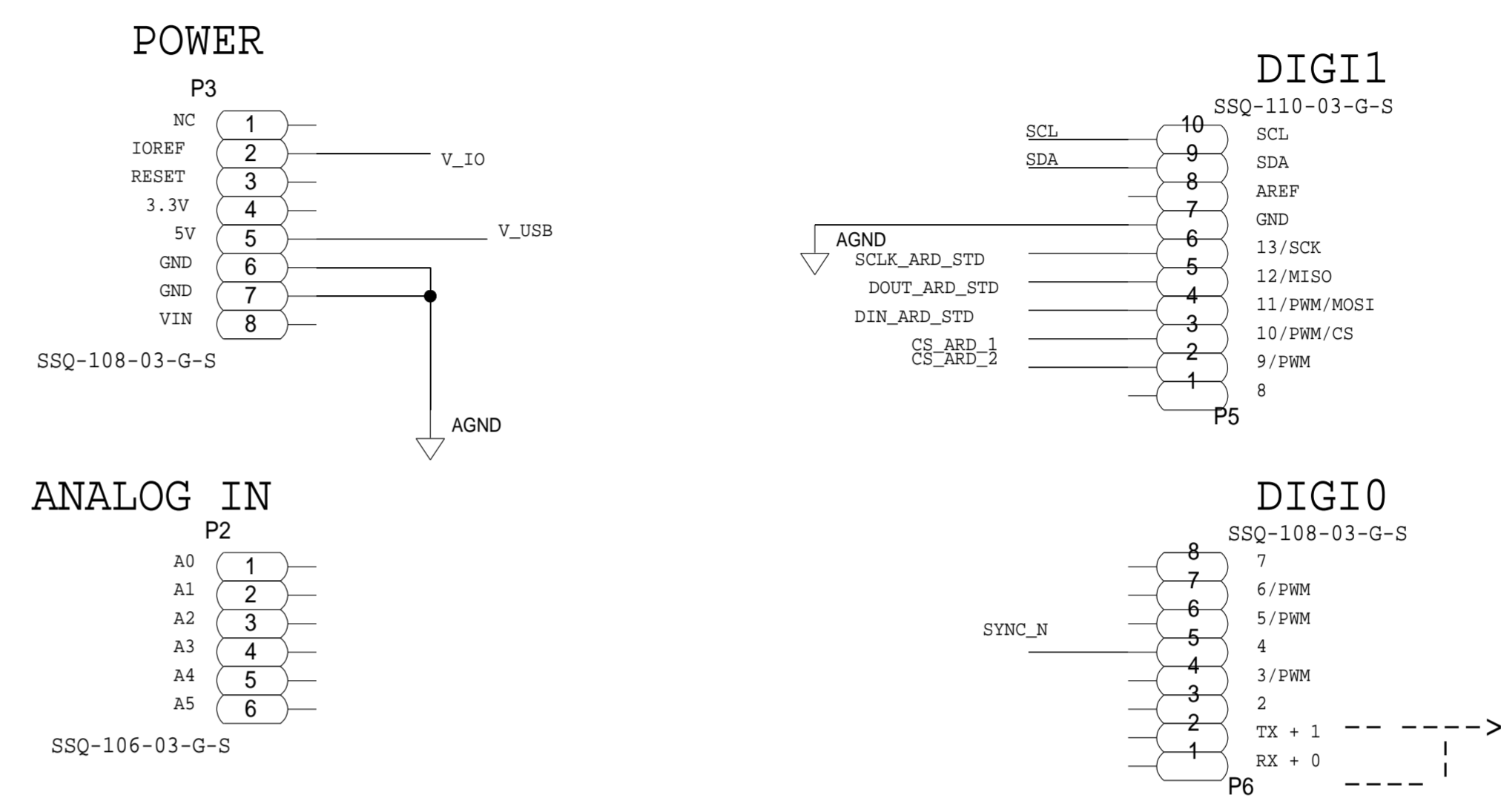
REVISIONS			
REV	DESCRIPTION	DATE	APPROVED



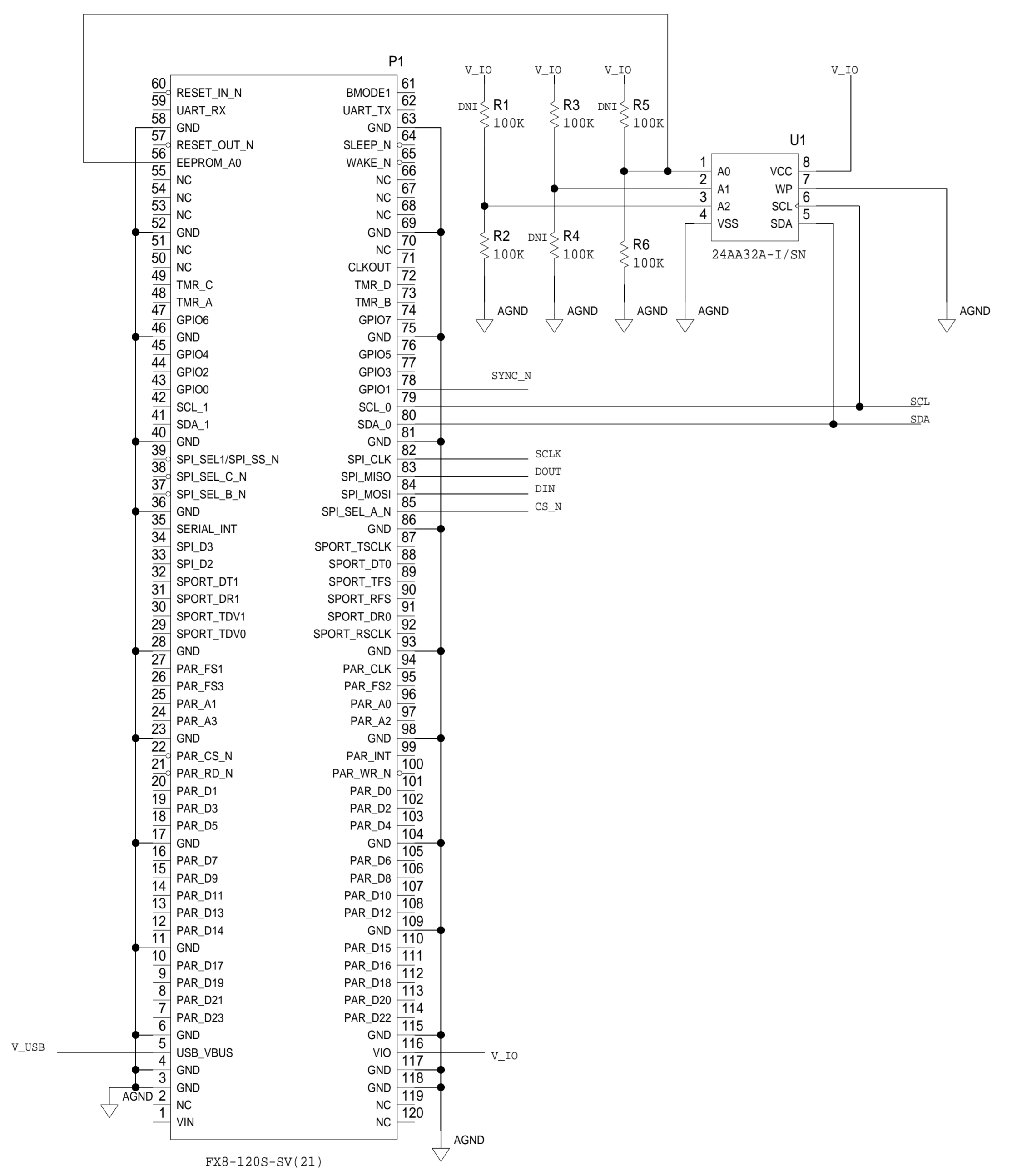
ANALOG DEVICES			
HW TYPE : Customer Evaluation Z Product(s) : AD7195 : AD7190,AD7191,92,93,94		<b>SCHMATIC</b>	
DESIGN VIEW <DESIGN_VIEW>	DRAWING NO. 02_068126	REV B	
PTD ENGINEER V. JEEVANNAVAR	SIZE D	SCALE 1:1	SHEET 3 OF 4

REVISIONS			
REV	DESCRIPTION	DATE	APPROVED

### ARDUNIO HEADER



### DEFAULT A



SCHEMATIC			
		HW TYPE : Customer Evaluation Z Product(s) : AD7195 : AD7190,AD7191,92,93,94	
DESIGN VIEW <DESIGN_VIEW>	DRAWING NO. 02_068126	REV B	
PTD ENGINEER V.JEEVANNAVAR	SIZE D	SCALE 1:1	SHEET 4 OF 4