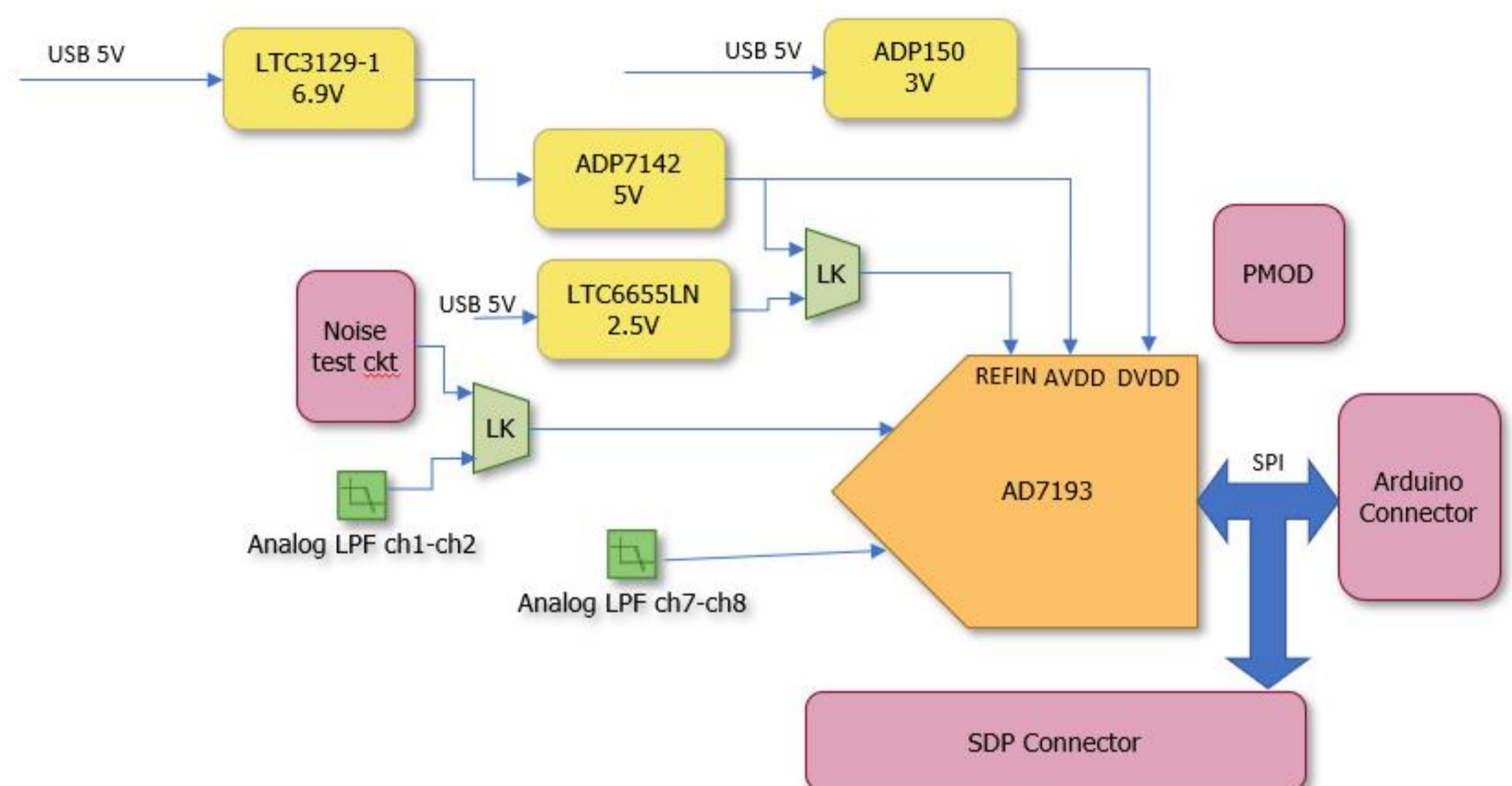


THIS DRAWING IS THE PROPERTY OF ANALOG DEVICES INC. IT IS NOT TO BE REPRODUCED OR COPIED, IN WHOLE OR IN PART, OR USED IN FURNISHING INFORMATION TO OTHERS, OR FOR ANY OTHER PURPOSE DETRIMENTAL TO THE INTERESTS OF ANALOG DEVICES. THE EQUIPMENT SHOWN HEREON MAY BE PROTECTED BY PATENTS OWNED OR CONTROLLED BY ANALOG DEVICES.

REVISIONS			
REV	DESCRIPTION	DATE	APPROVED
A	INITIAL RELEASE	17DEC20	V.JEEVANNAVAR
B	CHANGES PER ECR-103090	28JUN21	V.JEEVANNAVAR
C	CHANGES PER ECR-105057	03NOV21	V.JEEVANNAVAR



EVAL-AD7193-ARDZ SCHEMATIC REV (C)

PAGE 2 - POWER CIRCUITRY

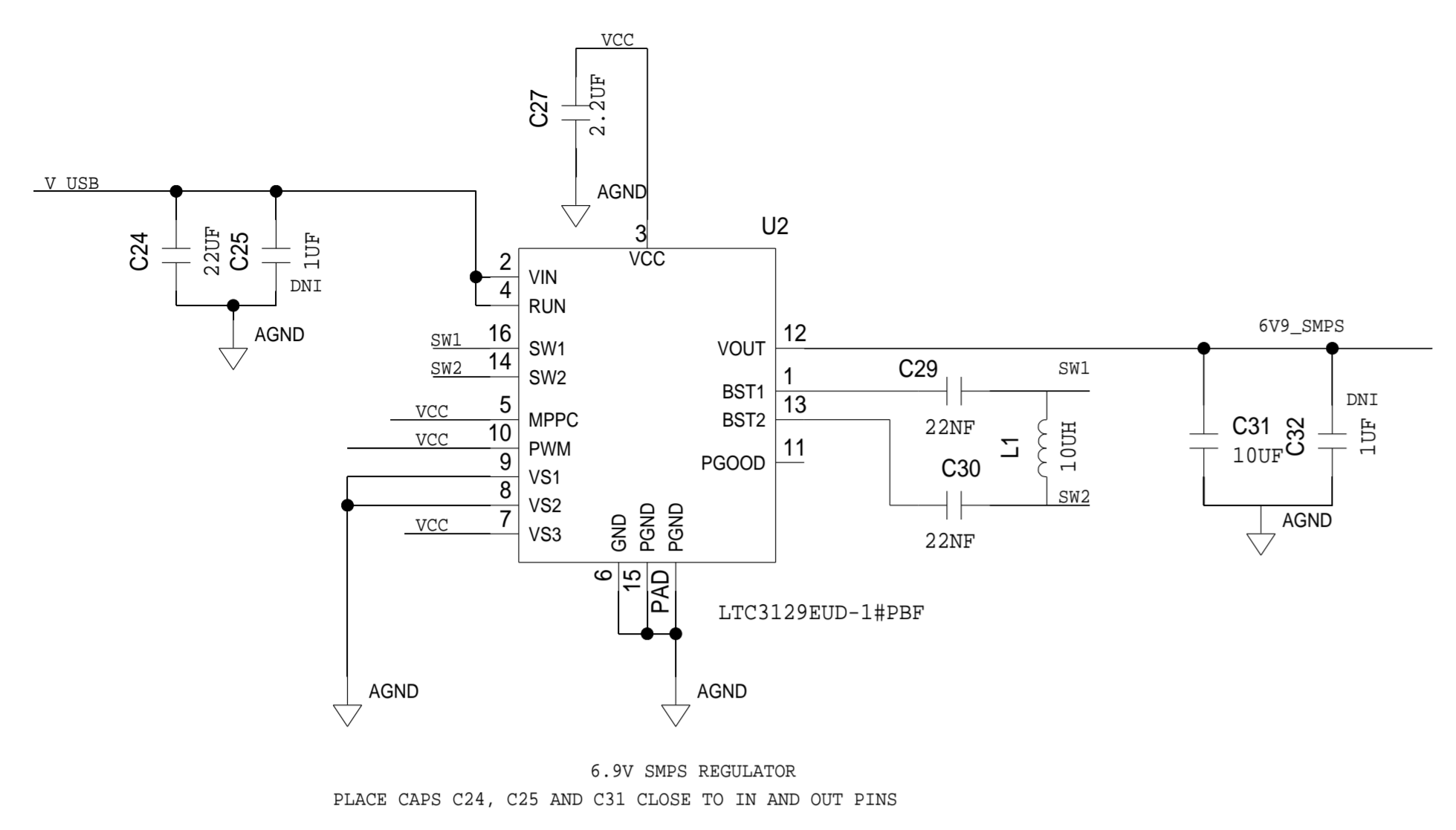
PAGE 3 - AD7193 CIRCUITRY

PAGE 4 - ARDUINO HEADER, PMOD & SDP CONNECTOR

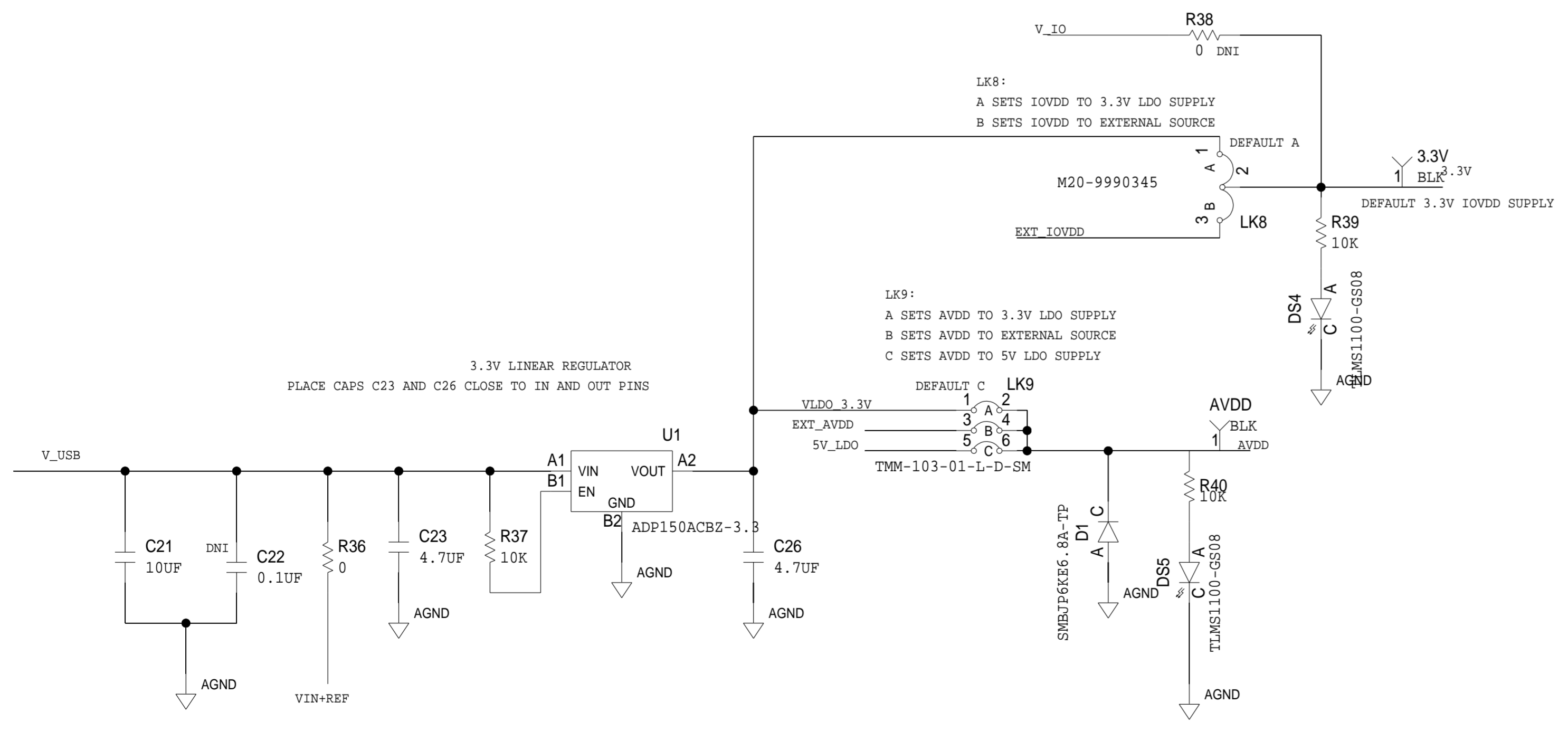
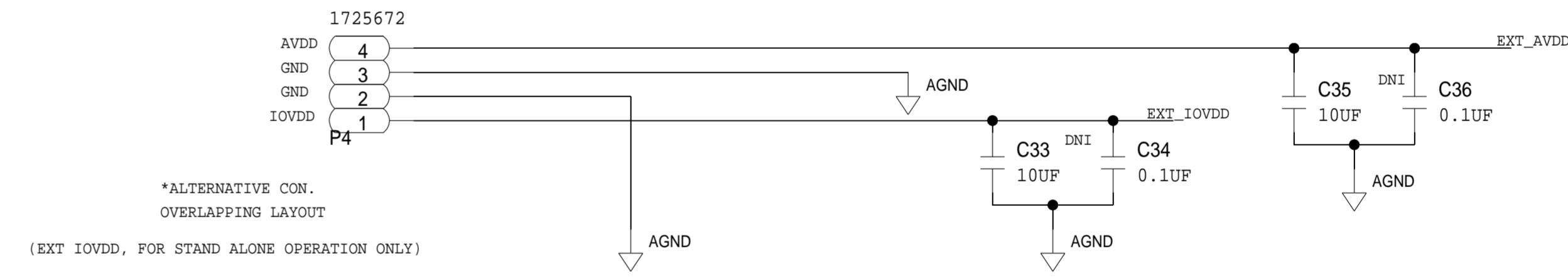
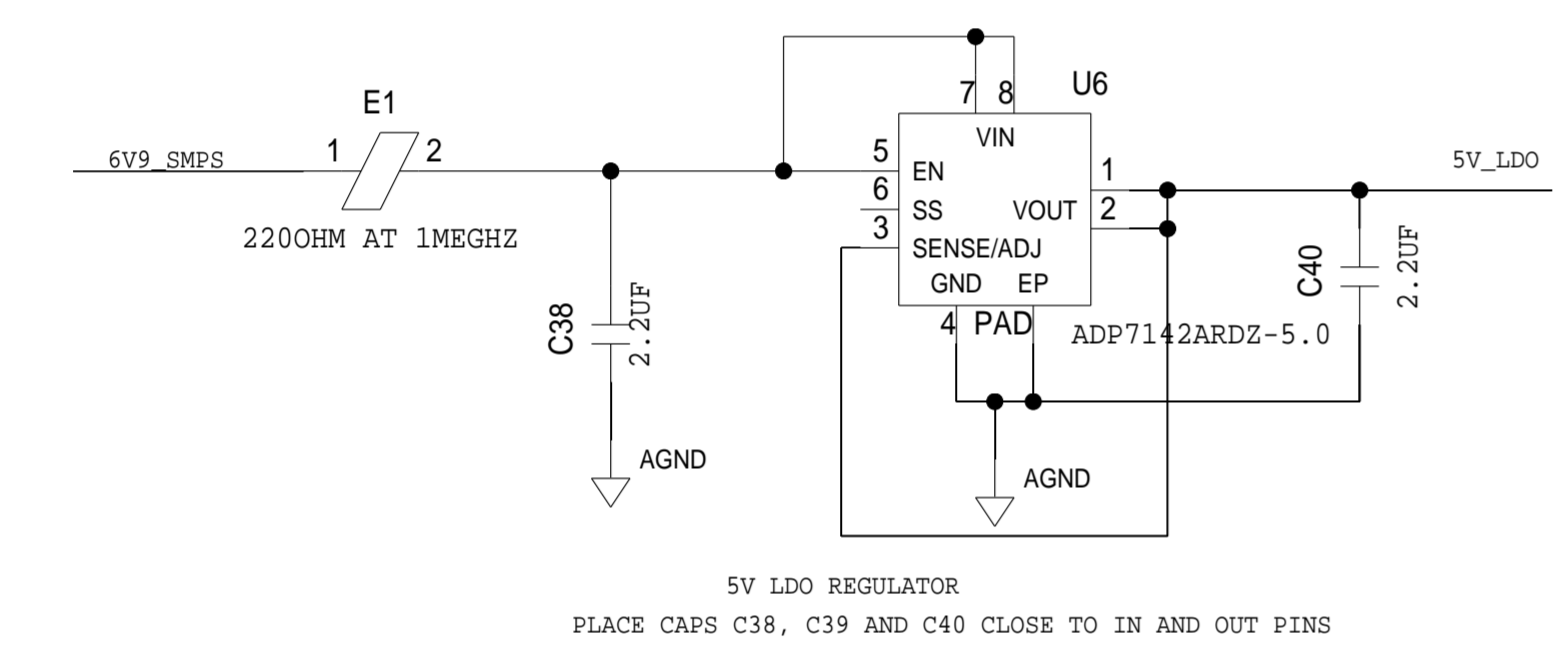
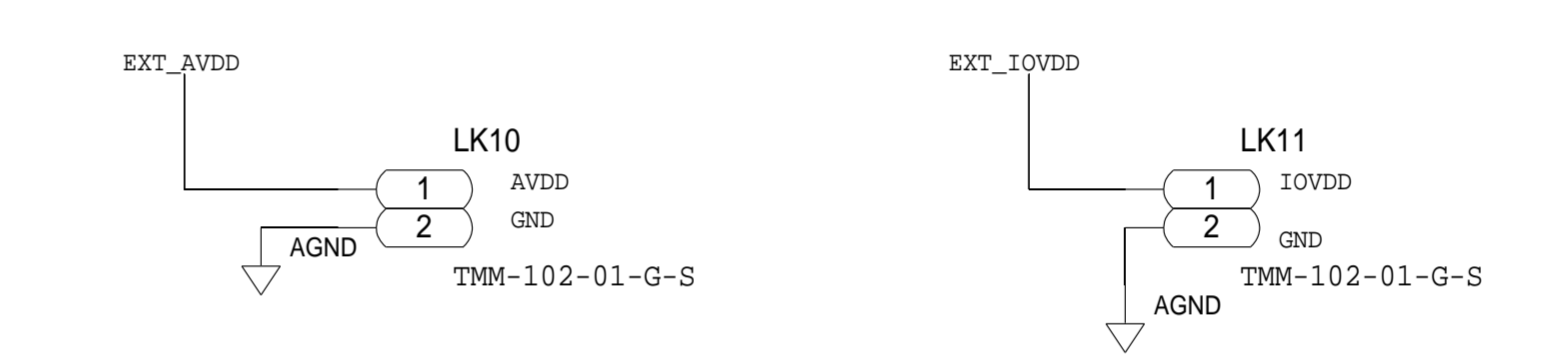
P.O SPEC.	BK/BD SPEC.	SOCKET OEM	OEM PART#	HANDLER

TRIP		SCHEMATIC		ANALOG DEVICES	
TEMPLATE ENGINEER	DATE				
HARDWARE SERVICES		HW TYPE : Customer Evaluation Z			
M. VALE	17DEC20	Product(s) : AD7190			
HARDWARE SYSTEMS		: AD7191,AD7192,AD7193,AD7194,AD7195			
TEST ENGINEER		PACKAGE : LeadCount-lead BodySize PackageType-family			
-		: Pitch-pitch StyleVendor Style			
COMPONENT ENGINEER		<User Define>			
M. YAN	17DEC20	<User Define>			
TEST PROCESS		<User Define>			
-					
HARDWARE RELEASE		MASTER PROJECT TEMPLATE		DRAWING NO.	
K. JABATAN	17DEC20	TBD		02_066062	
DESIGNER		TESTER TEMPLATE		REV.	
M. VICEDO	17DEC20	064489_b		C	
PTD ENGINEER		UNLESS OTHERWISE SPECIFIED DIMENSIONS ARE IN INCHES			
V. JEEVANNAVAR	17DEC20	TOLERANCES			
CHECKER		DECIMALS X.XX +0.010		SIZE D	
-		FRACTIONS +1/32		SCALE 1:1	
		ANGLES +2		CODE ID NO. CodeID	
				SHEET 1 OF 4	

REVISIONS			
REV	DESCRIPTION	DATE	APPROVED

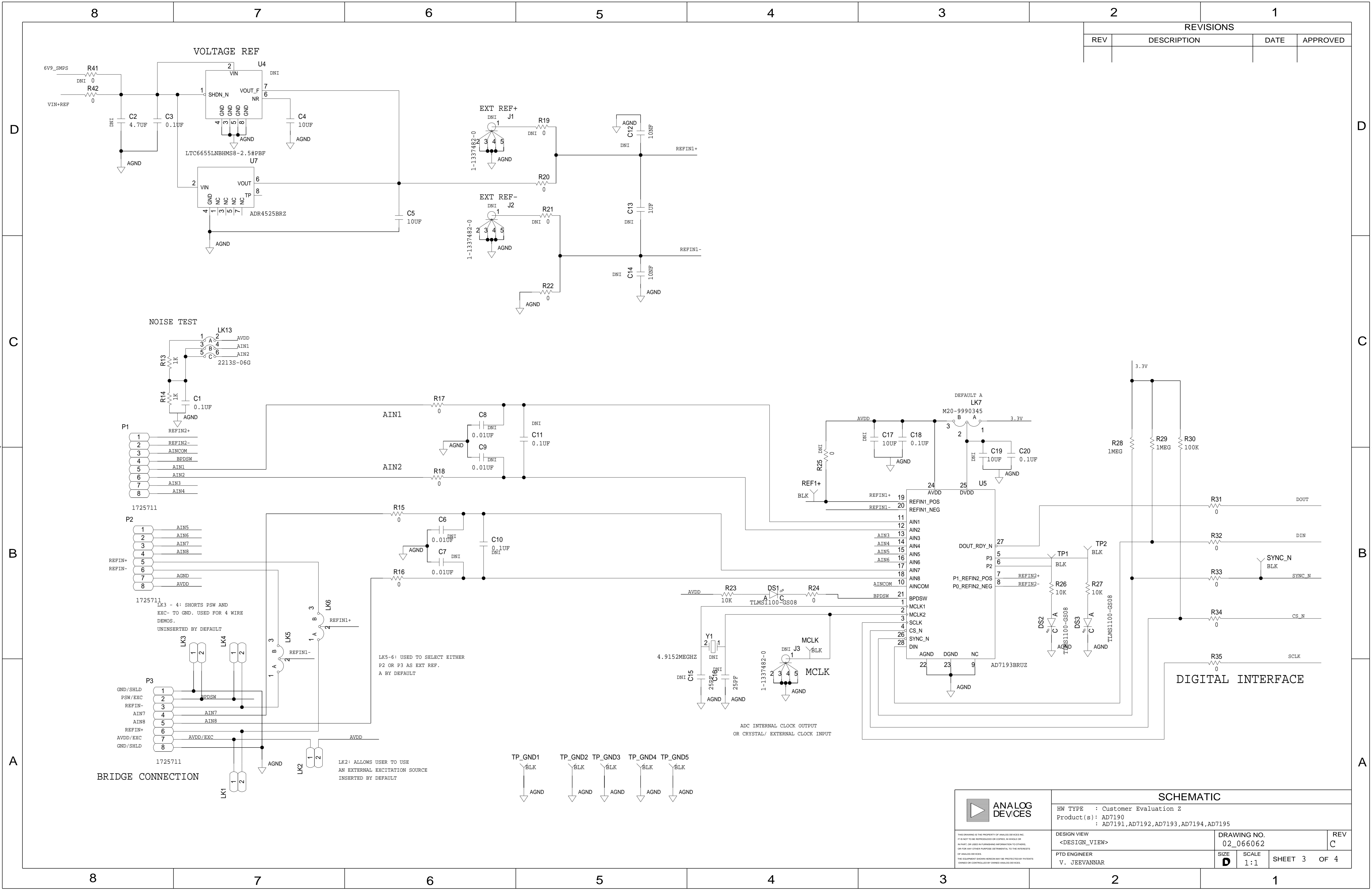


EXTERNAL VOLTAGE CONNECTOR FOR SCP BOARDS



	SCHEMATIC		
	HW TYPE : Customer Evaluation Z Product(s) : AD7190 : AD7191, AD7192, AD7193, AD7194, AD7195		
	DESIGN VIEW <DESIGN_VIEW>	DRAWING NO. 02_066062	REV C
	PTD ENGINEER V. JEEVANNAR	SIZE D	SCALE 1:1
		SHEET 2 OF 4	

REVISIONS			
REV	DESCRIPTION	DATE	APPROVED



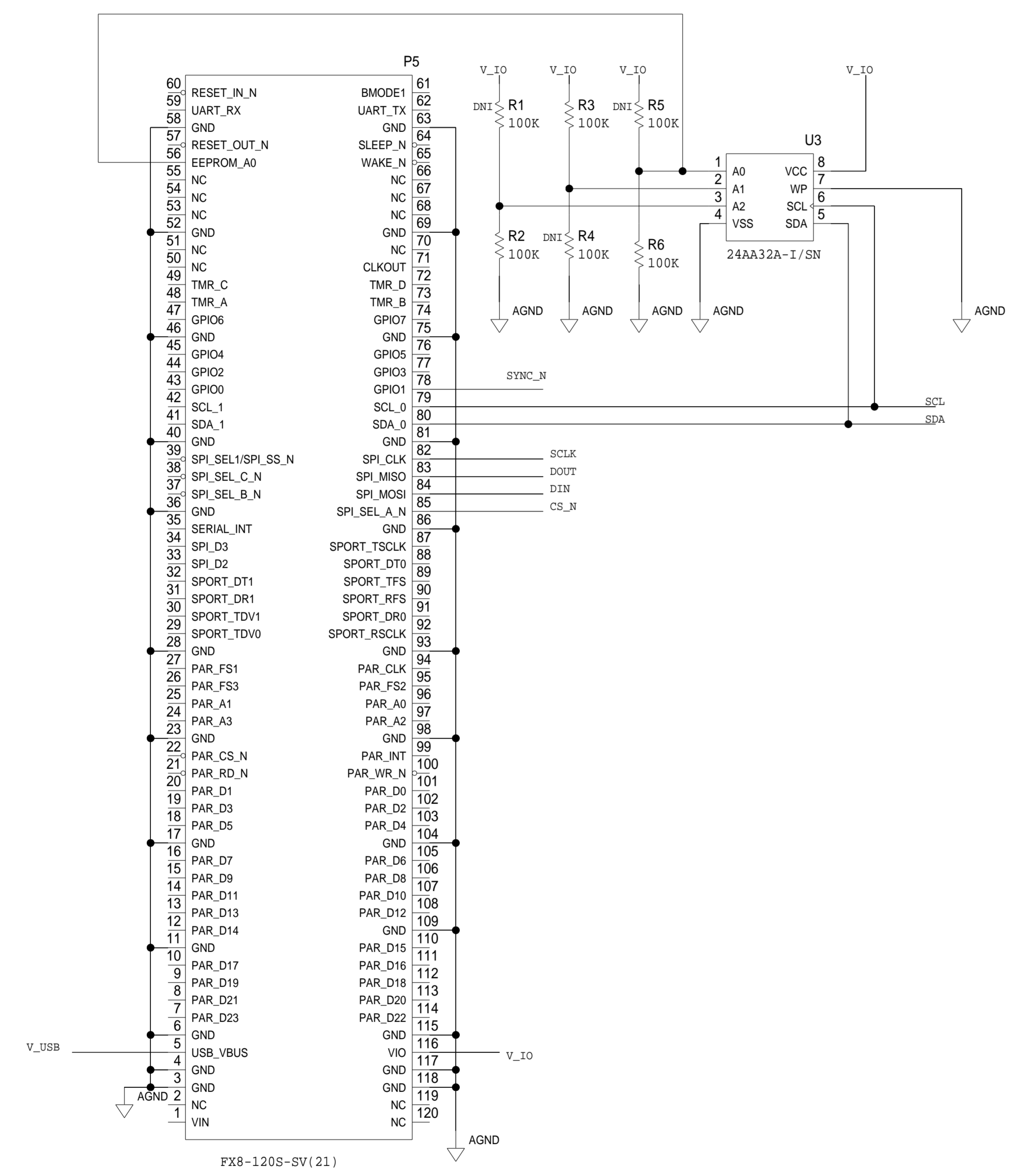
SCHEMATIC			
HW TYPE : Customer Evaluation Z		Product(s) : AD7190 : AD7191, AD7192, AD7193, AD7194, AD7195	
DESIGN VIEW <DESIGN_VIEW>	DRAWING NO. 02_066062	REV C	
PTD ENGINEER V. JEEVANNAR	SIZE D	SCALE 1:1	SHEET 3 OF 4

ANALOG DEVICES

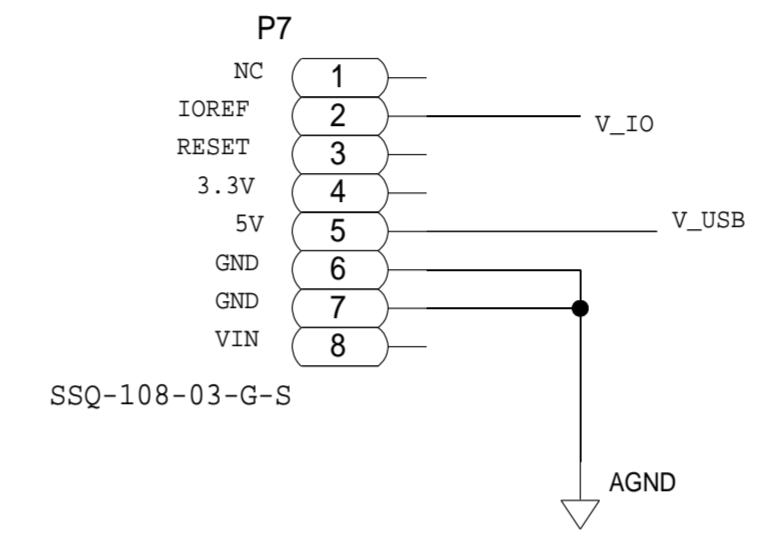
THIS DRAWING IS THE PROPERTY OF ANALOG DEVICES INC. IT IS NOT TO BE REPRODUCED OR COPIED IN WHOLE OR IN PART, OR USED IN FURNISHING INFORMATION TO OTHERS, OR FOR ANY OTHER PURPOSE DETRIMENTAL TO THE INTERESTS OF ANALOG DEVICES. THE EQUIPMENT SHOWN HEREIN MAY BE PROTECTED BY PATENTS OWNED OR CONTROLLED BY ANALOG DEVICES.

REVISIONS			
REV	DESCRIPTION	DATE	APPROVED

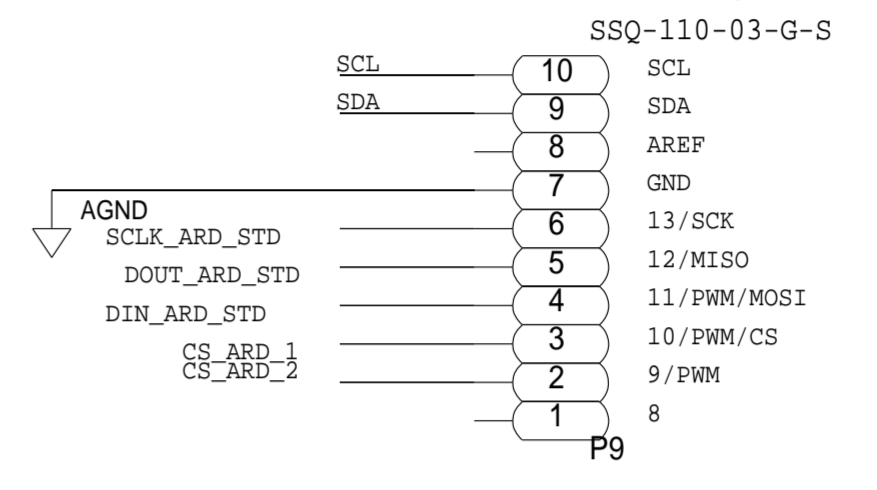
ARDUNIO HEADER



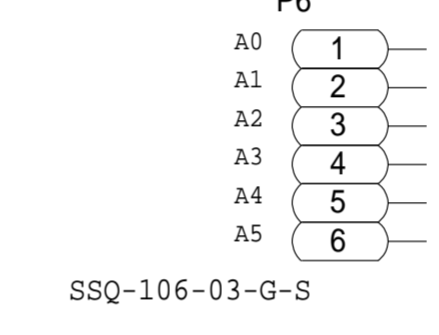
POWER



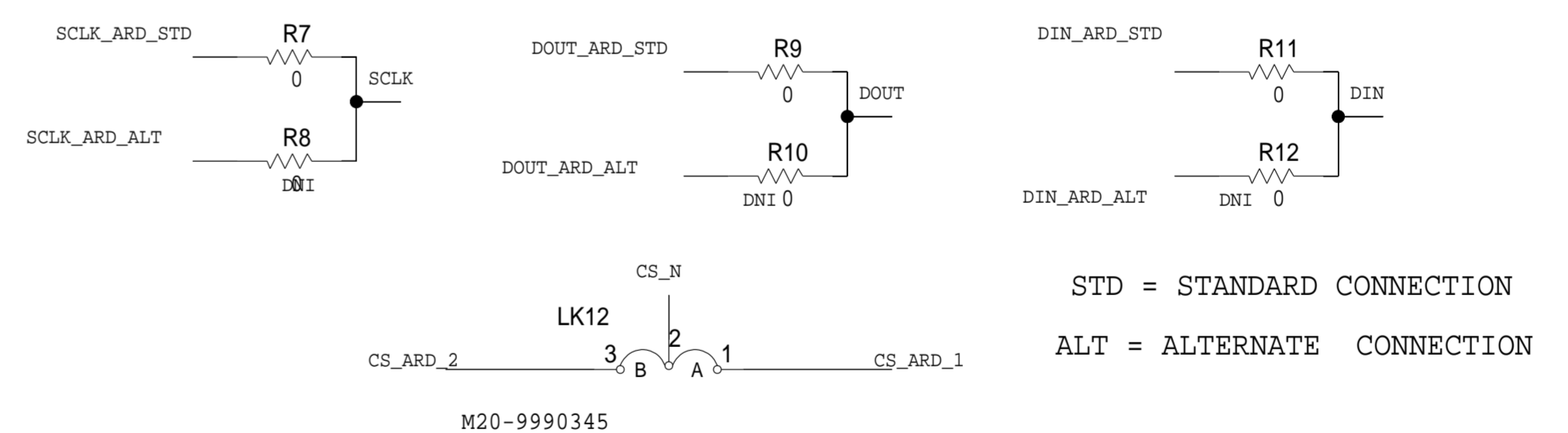
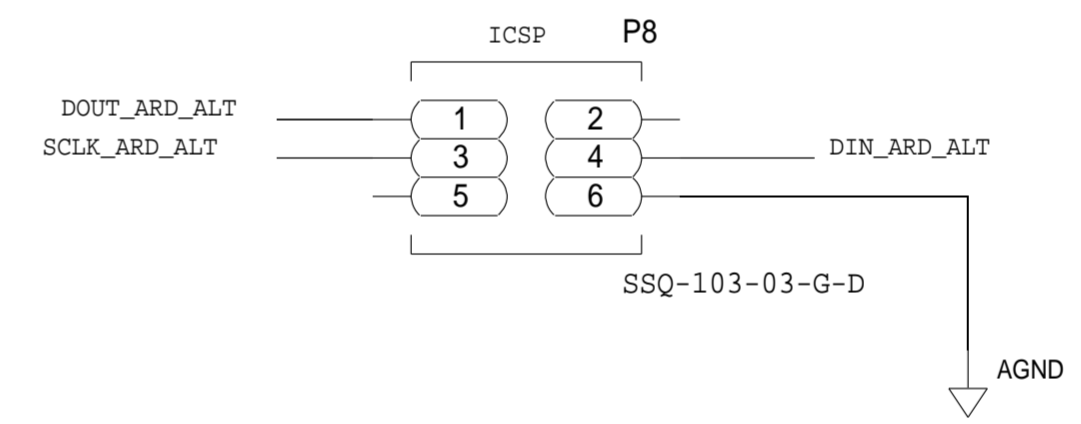
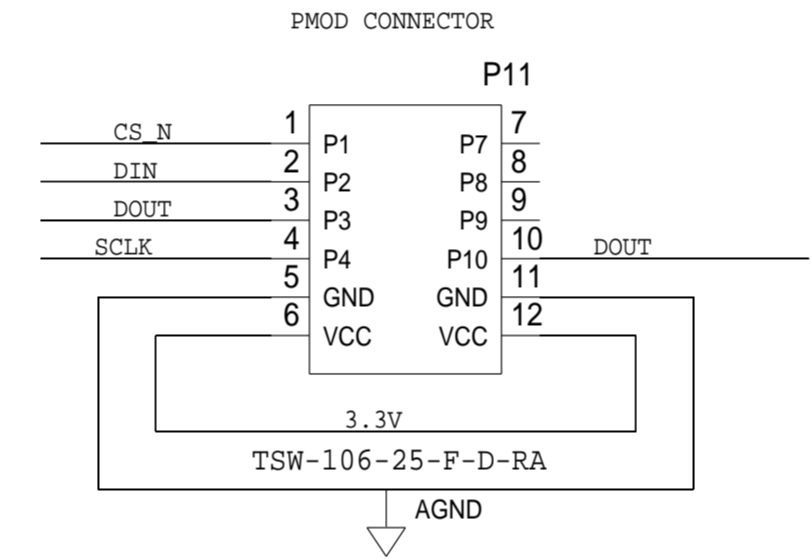
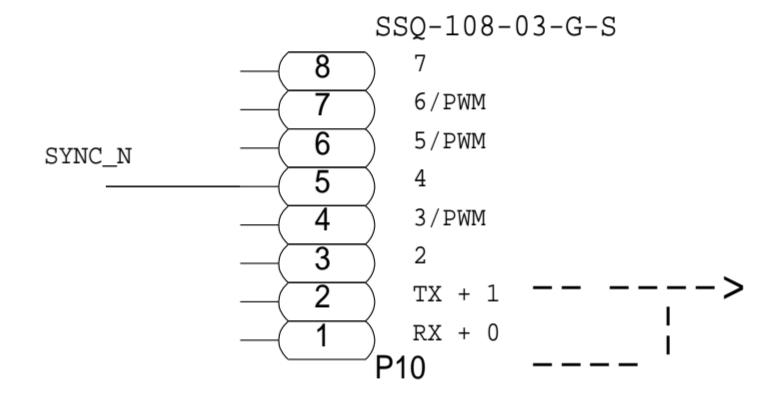
DIGI1



ANALOG IN



DIGI0



DEFAULT A

ANALOG DEVICES		SCHEMATIC			
<small>THIS DRAWING IS THE PROPERTY OF ANALOG DEVICES INC. IT IS NOT TO BE REPRODUCED OR COPIED, IN WHOLE OR IN PART, OR USED IN FURNISHING INFORMATION TO OTHERS, OR FOR ANY OTHER PURPOSE DETRIMENTAL TO THE INTERESTS OF ANALOG DEVICES. THE EQUIPMENT SHOWN HEREON MAY BE PROTECTED BY PATENTS OWNED OR CONTROLLED BY ANALOG DEVICES.</small>		HW TYPE : Customer Evaluation Z Product(s) : AD7190 : AD7191, AD7192, AD7193, AD7194, AD7195			
		DESIGN VIEW <DESIGN_VIEW>	DRAWING NO. 02_066062	REV C	SIZE SCALE D 1:1
PTD ENGINEER V. JEEVANNAR		SHEET 4 OF 4		SHEET 4 OF 4	