

8 7 6 5 4 3 2 1

THIS DRAWING IS THE PROPERTY OF ANALOG DEVICES INC. IT IS NOT TO BE REPRODUCED OR COPIED, IN WHOLE OR IN PART, OR USED IN FURNISHING INFORMATION TO OTHERS, OR FOR ANY OTHER PURPOSE DETRIMENTAL TO THE INTERESTS OF ANALOG DEVICES. THE EQUIPMENT SHOWN HEREON MAY BE PROTECTED BY PATENTS OWNED OR CONTROLLED BY ANALOG DEVICES.

REVISIONS			
REV	DESCRIPTION	DATE	APPROVED
A	INITIAL RELEASE	16NOV21	V.JEEVANNAVAR

EVAL-AD7190-ASDZ SCHEMATIC REV (A)

PAGE 2 - POWER CIRCUITRY

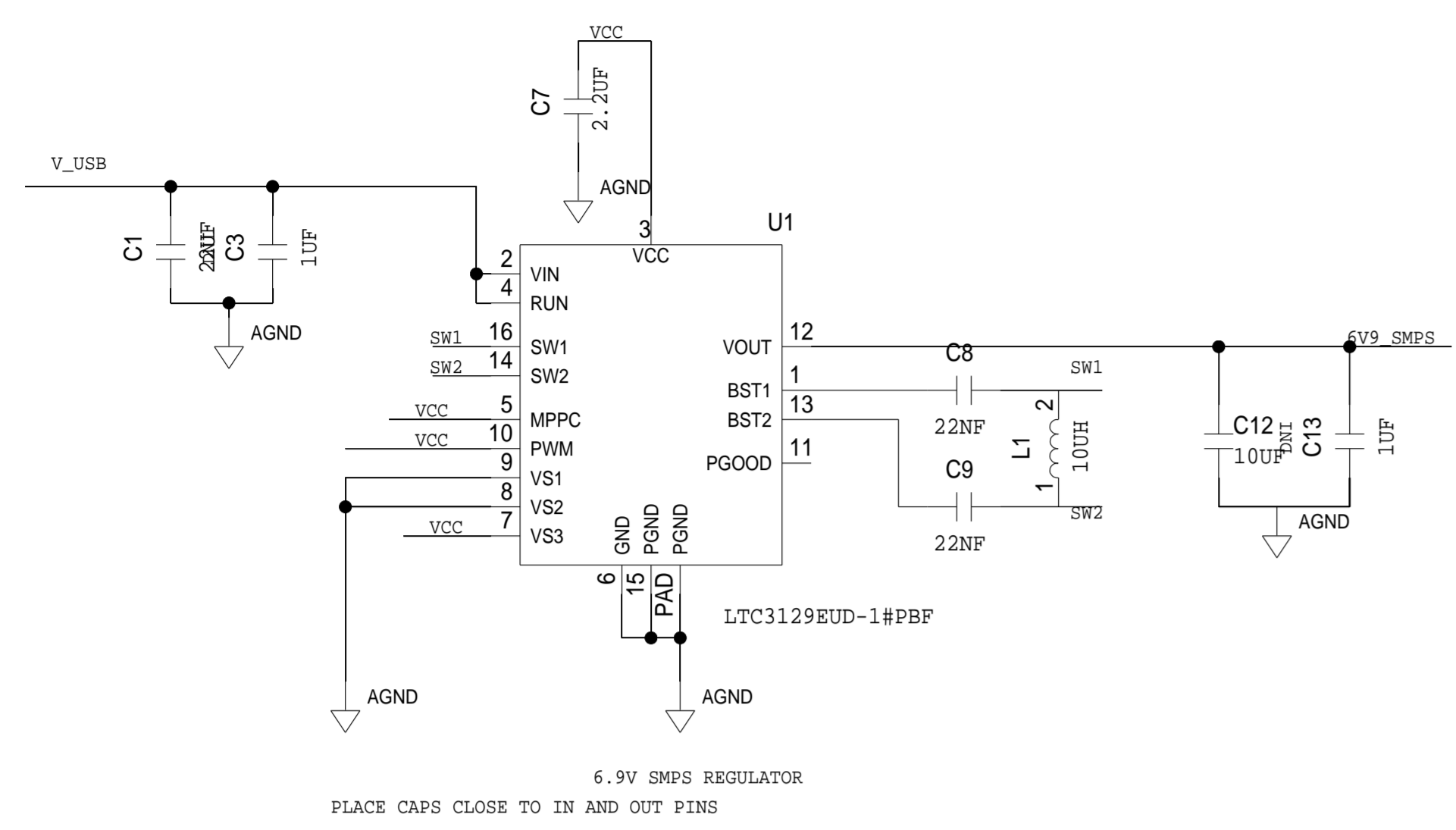
PAGE 3 - AD7190 CIRCUITRY

PAGE 4 - ARDUINO HEADER, PMOD & SDP CONNECTOR

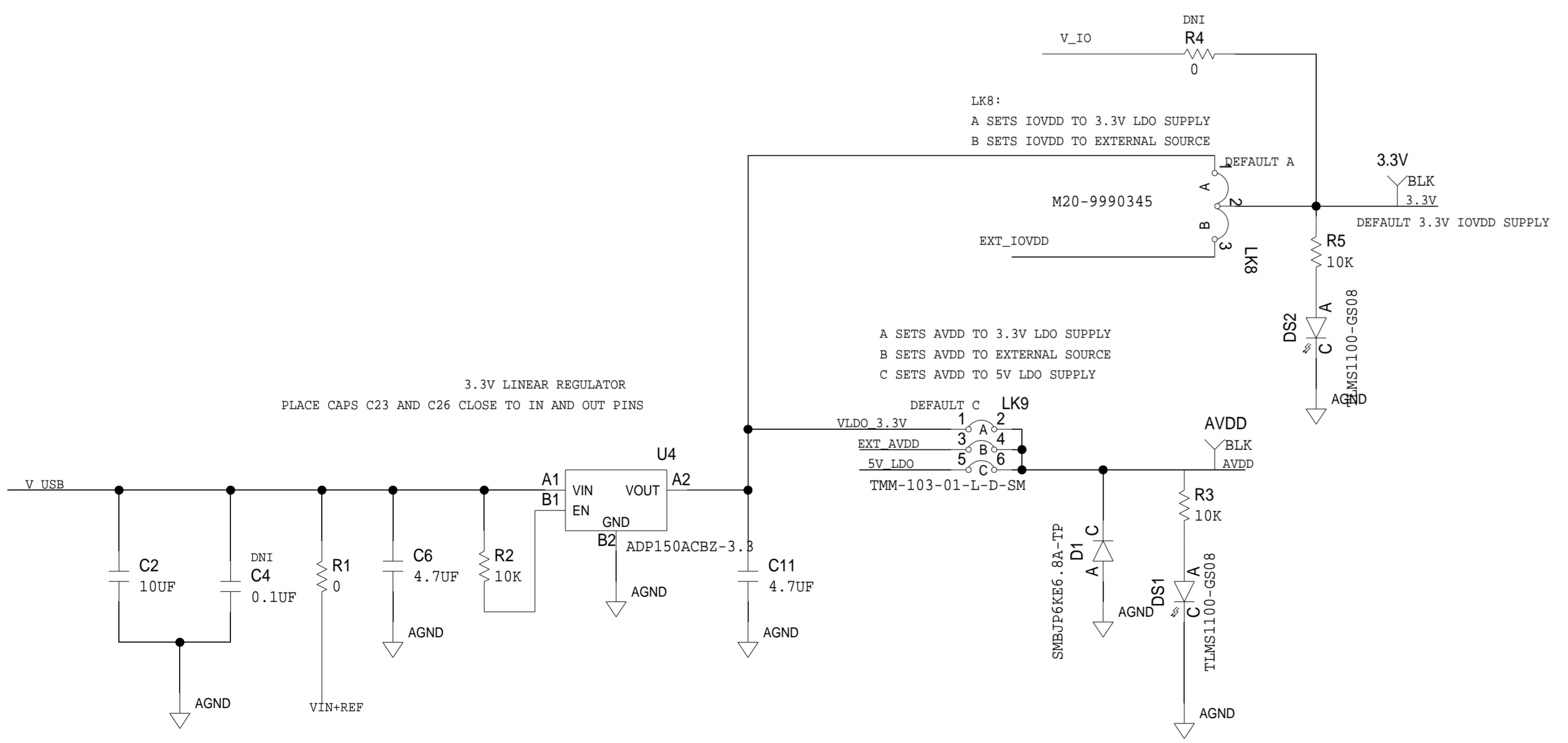
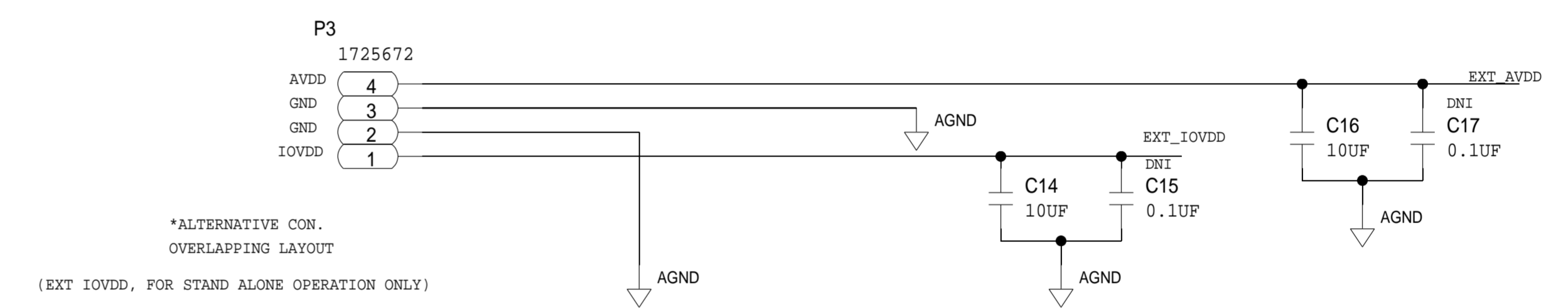
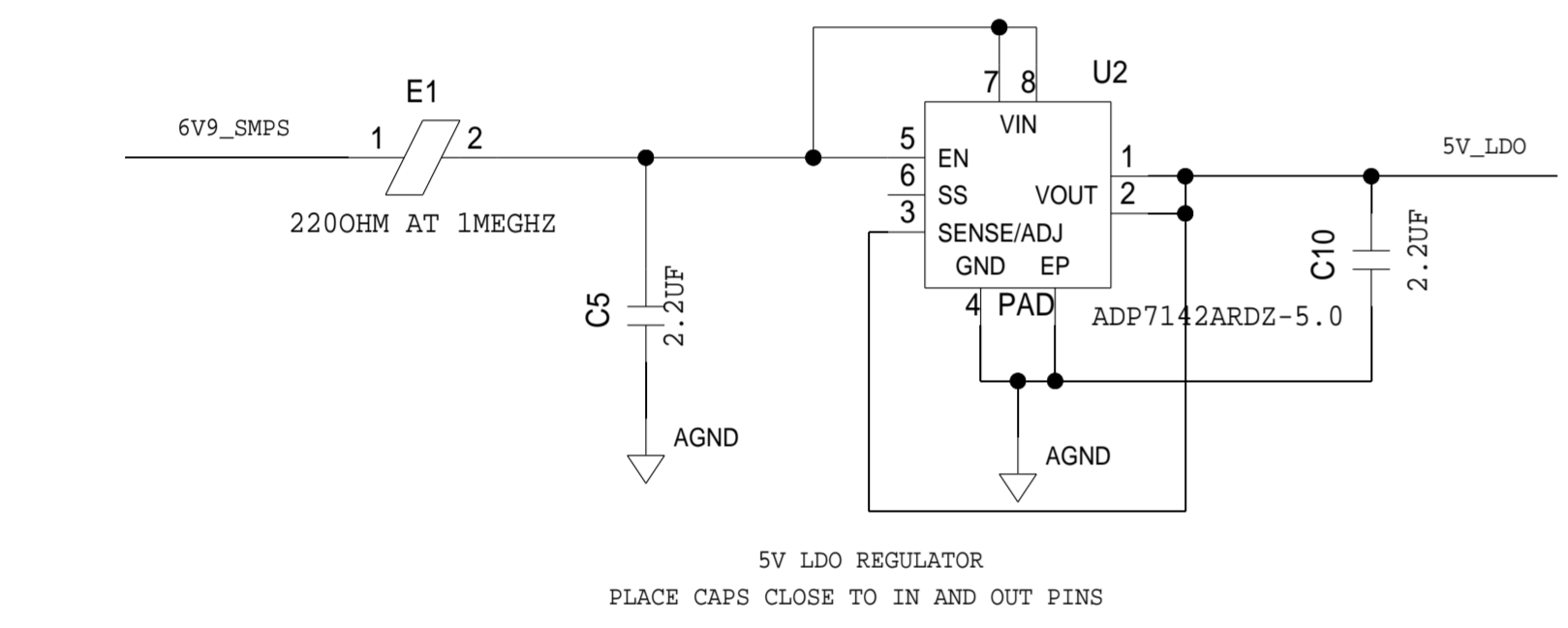
P.O SPEC.	BK/BD SPEC.	SOCKET OEM	OEM PART#	HANDLER

TEMPLATE ENGINEER -	DATE	<b>SCHEMATIC</b>		
HARDWARE SERVICES M. VALE	16NOV21			
HARDWARE SYSTEMS -		HW TYPE : Customer Evaluation Z		
TEST ENGINEER -		Product(s): AD7190 : AD7192		
COMPONENT ENGINEER A. GIRON	16NOV21	PACKAGE : LeadCount-lead BodySize PackageType-family : Pitch-pitch StyleVendor Style		
TEST PROCESS -		<User Define>		
HARDWARE RELEASE K. JABATAN	16NOV21	<User Define>		
DESIGNER E. DELOS REYES	16NOV21	MASTER PROJECT TEMPLATE TBD	TESTER TEMPLATE 064489_c	DRAWING NO. 02-069484-01
PTD ENGINEER V. JEEVANNAVAR	16NOV21	UNLESS OTHERWISE SPECIFIED DIMENSIONS ARE IN INCHES		REV. A
CHECKER -		TOLERANCES		
		DECIMALS X.XX +0.010 X.XXX +0.005	FRACTIONS +1/32	ANGLES +2
		SIZE <b>D</b>	SCALE 1:1	CODE ID NO. CodeID
				SHEET 1 OF 4

REVISIONS			
REV	DESCRIPTION	DATE	APPROVED

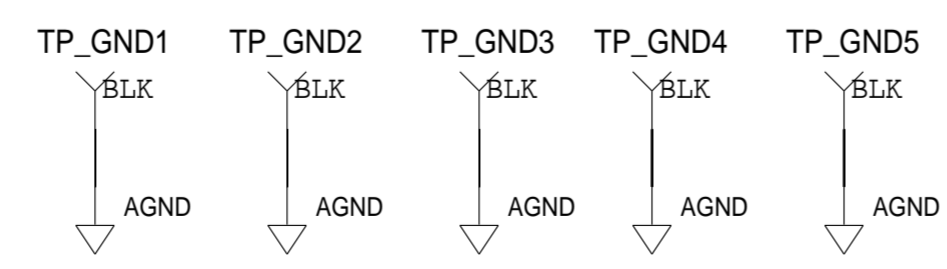
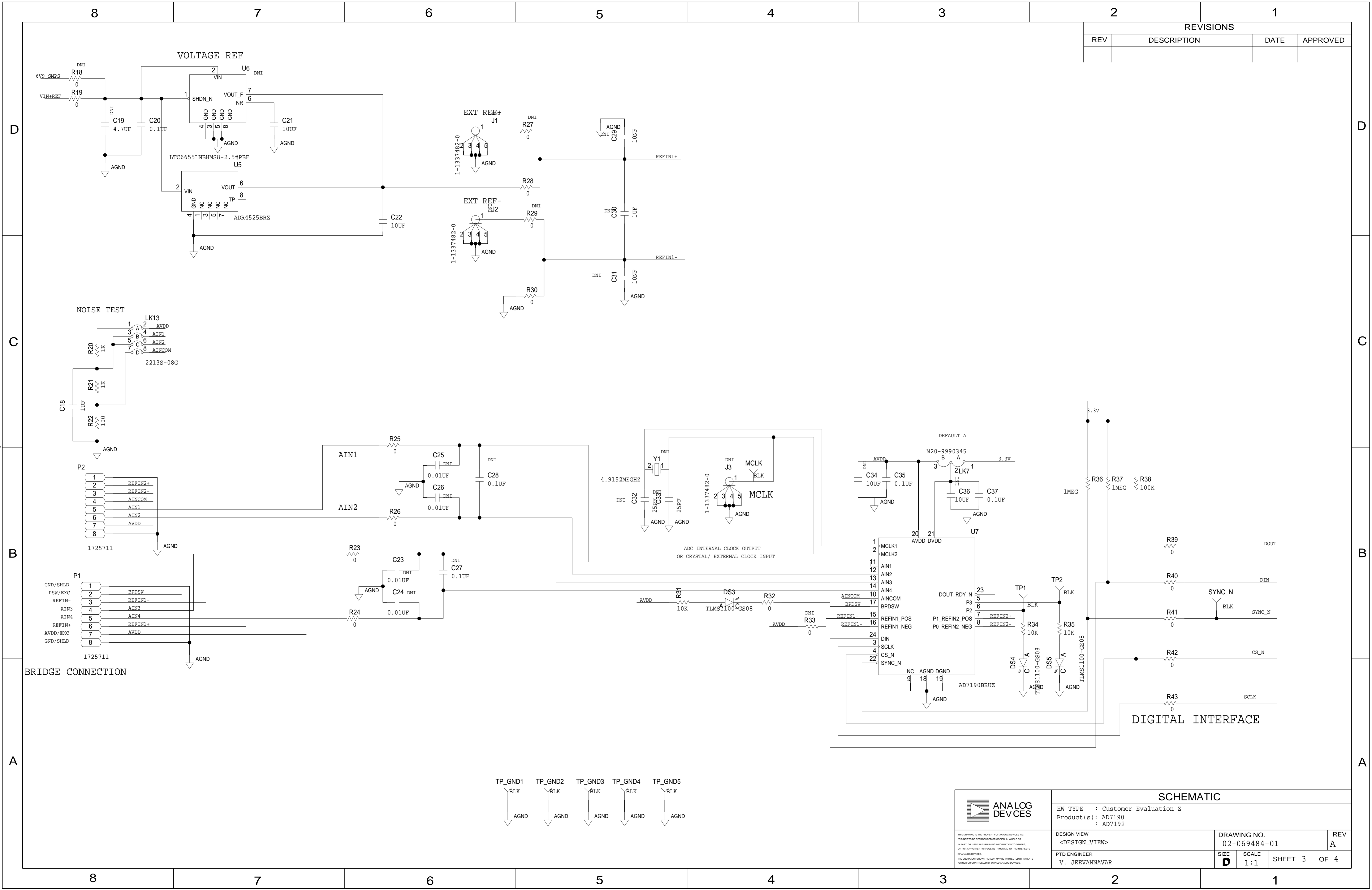


EXTERNAL VOLTAGE CONNECTOR FOR SCP BOARDS



	<b>SCHEMATIC</b>		
	HW TYPE : Customer Evaluation Z Product(s) : AD7190 : AD7192		
	DESIGN VIEW <DESIGN_VIEW>	DRAWING NO. 02-069484-01	REV A
	PTD ENGINEER V. JEEVANAVAR	SIZE D	SCALE 1:1
		SHEET 2 OF 4	

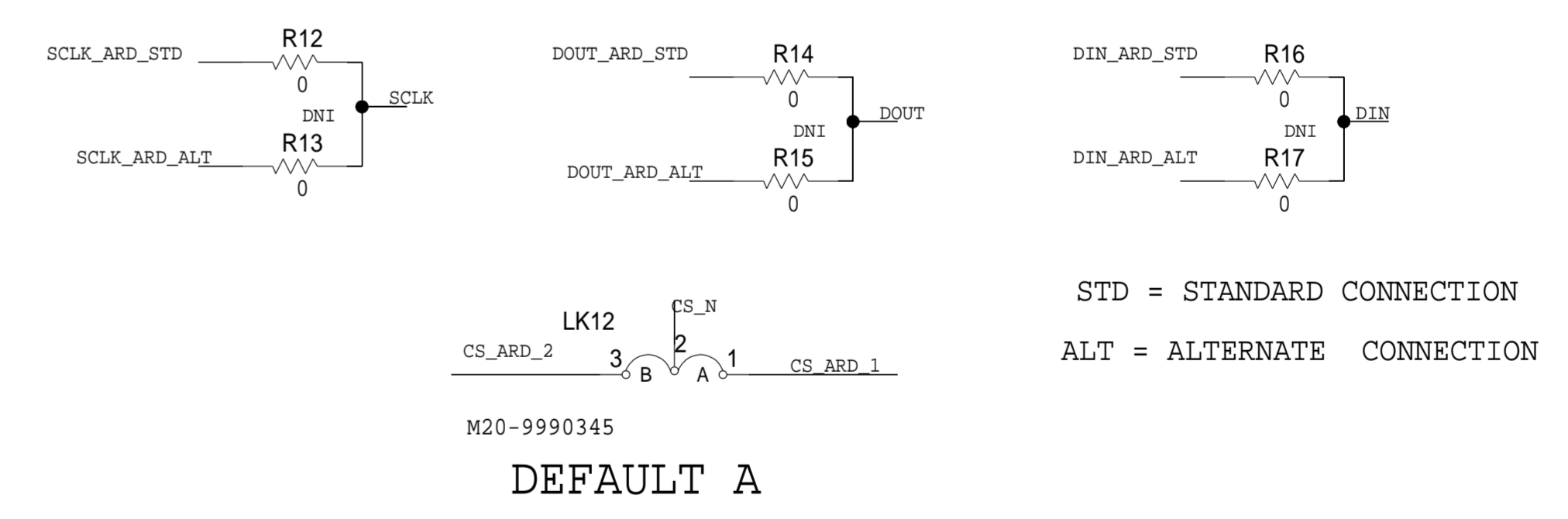
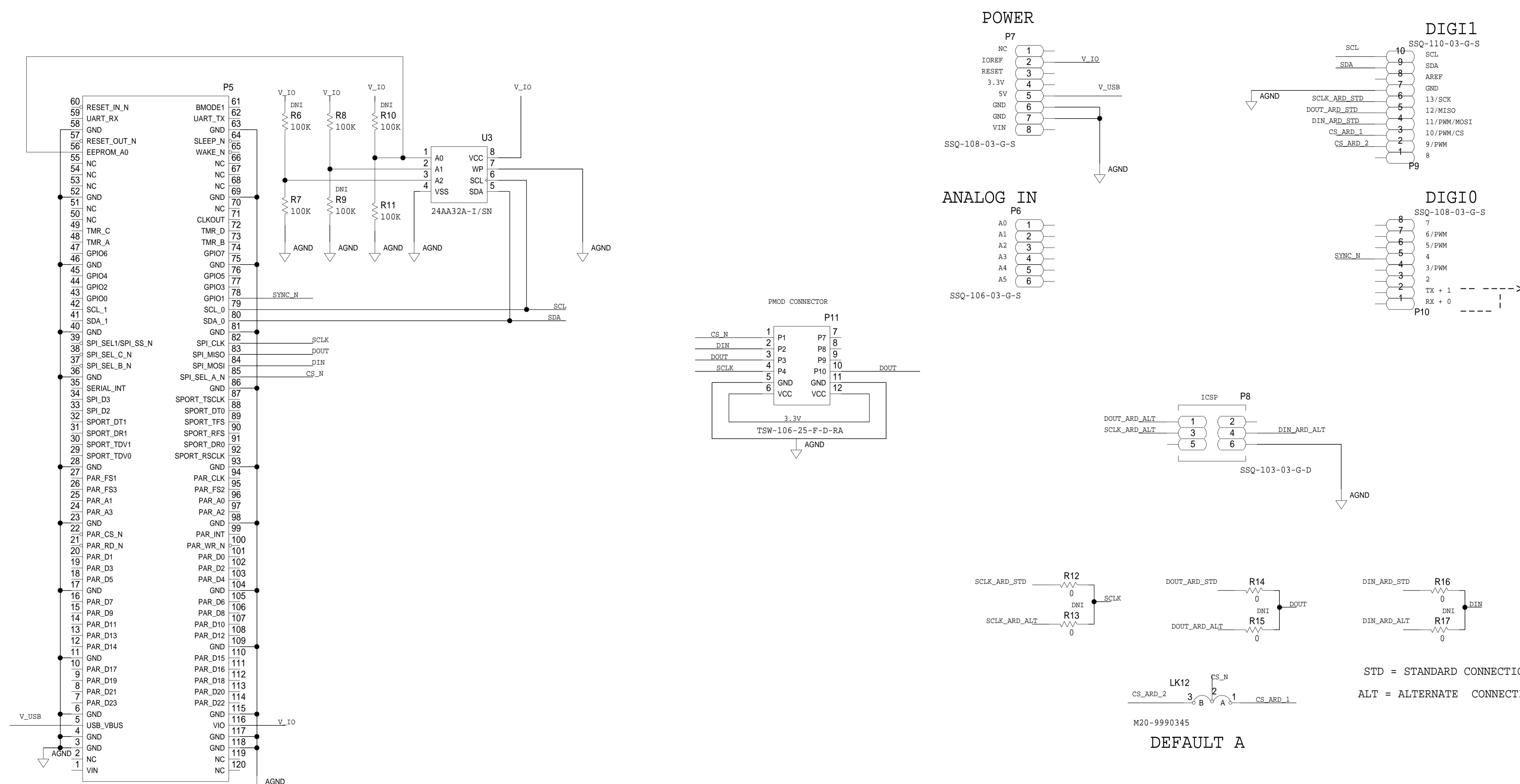
REVISIONS			
REV	DESCRIPTION	DATE	APPROVED



	<b>SCHEMATIC</b>		
	HW TYPE : Customer Evaluation Z Product(s) : AD7190 : AD7192		
DESIGN VIEW <DESIGN_VIEW>	DRAWING NO. 02-069484-01	REV A	
PTD ENGINEER V. JEEVANNAVAR	SIZE D	SCALE 1:1	SHEET 3 OF 4

REVISIONS			
REV	DESCRIPTION	DATE	APPROVED

### ARDUNIO HEADER



SCHEMATIC			
HW TYPE : Customer Evaluation Z		Product(s) : AD7190 : AD7192	
DESIGN VIEW <DESIGN_VIEW>	DRAWING NO. 02-069484-01	REV A	
PTD ENGINEER V. JEEVANNAVAR	SIZE D	SCALE 1:1	SHEET 4 OF 4

THIS DRAWING IS THE PROPERTY OF ANALOG DEVICES INC. IT IS NOT TO BE REPRODUCED OR COPIED, IN WHOLE OR IN PART, OR USED IN FURNISHING INFORMATION TO OTHERS, OR FOR ANY OTHER PURPOSE DETRIMENTAL TO THE INTERESTS OF ANALOG DEVICES. THE EQUIPMENT SHOWN HEREON MAY BE PROTECTED BY PATENTS OWNED OR CONTROLLED BY ANALOG DEVICES.