

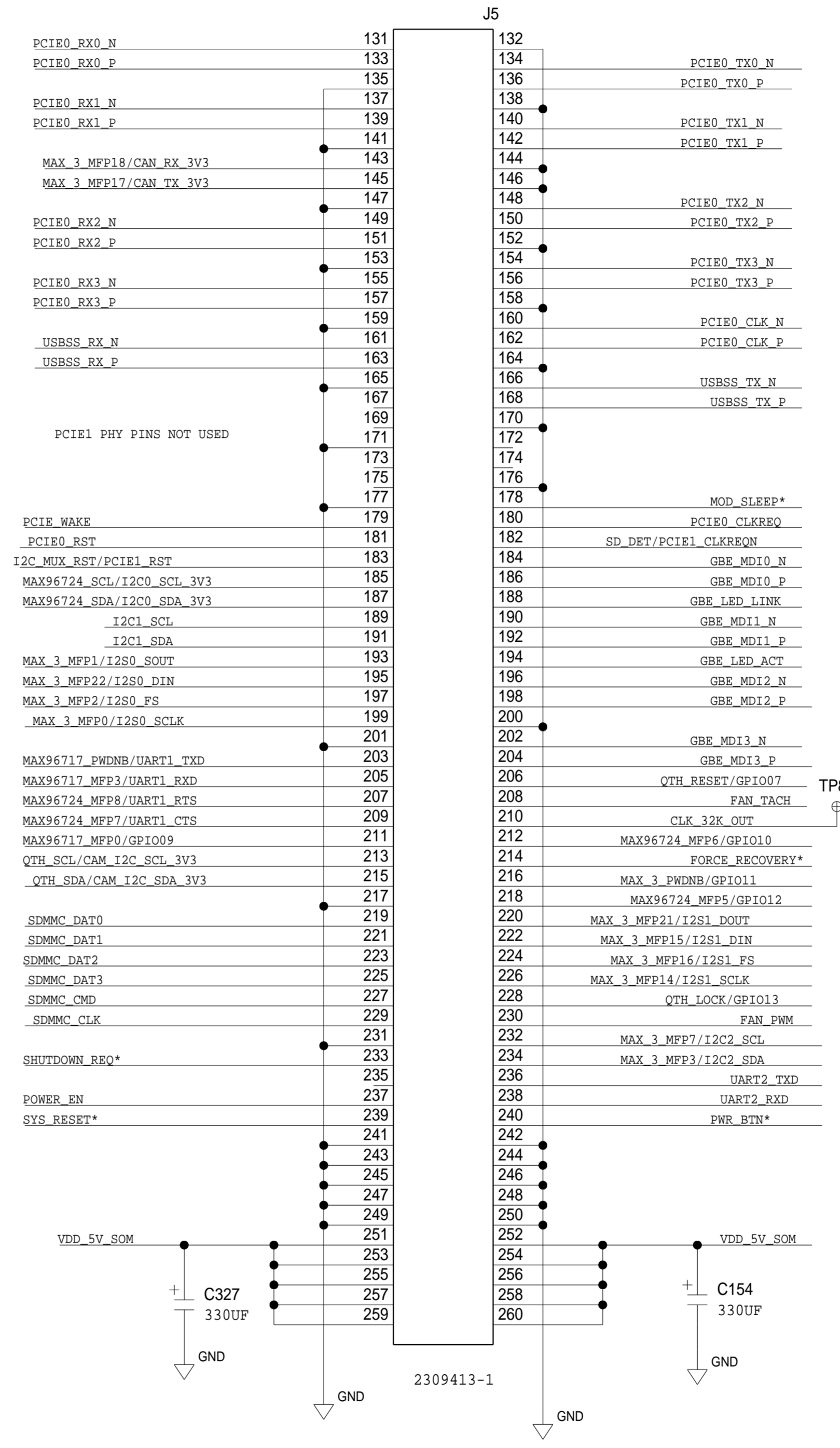
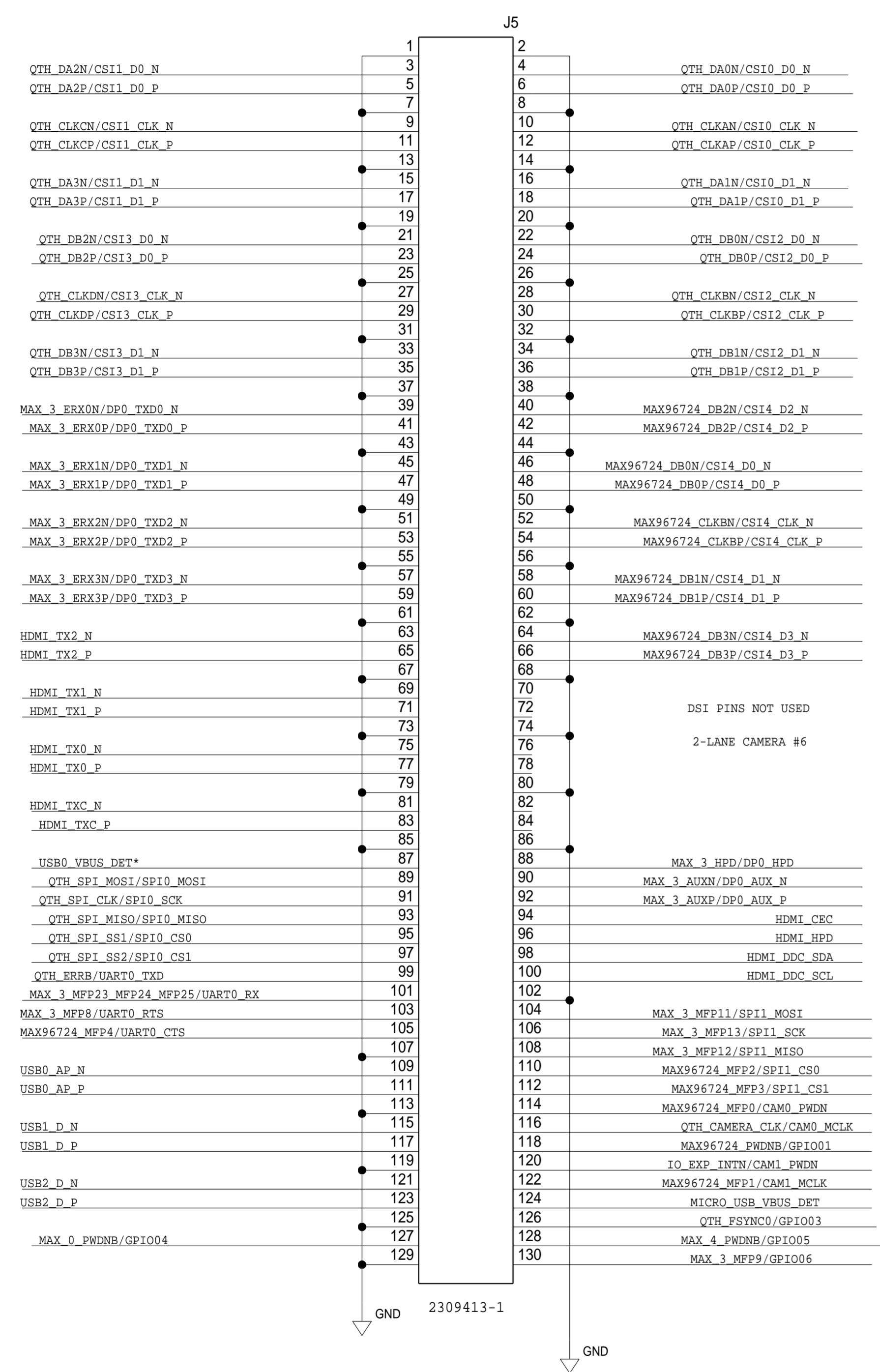


# XAVIER NX CONNECTOR

REVISIONS			
REV	DESCRIPTION	DATE	APPROVED

D  
C  
B  
A

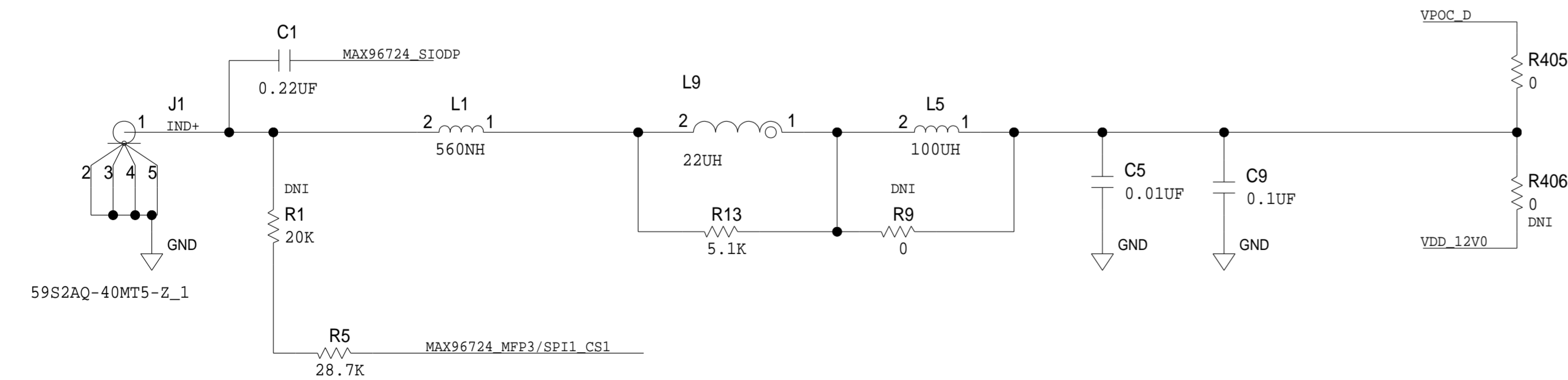
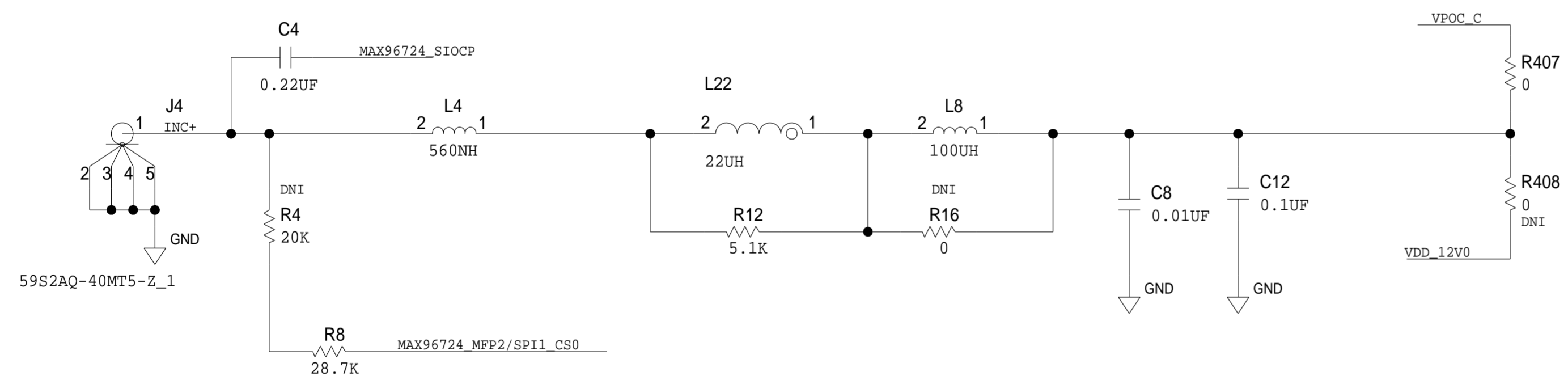
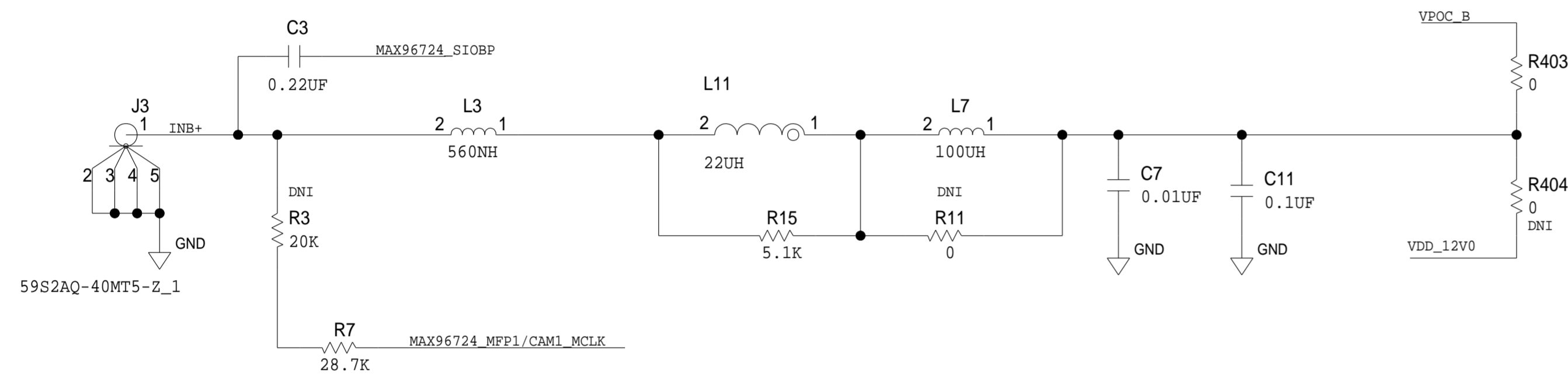
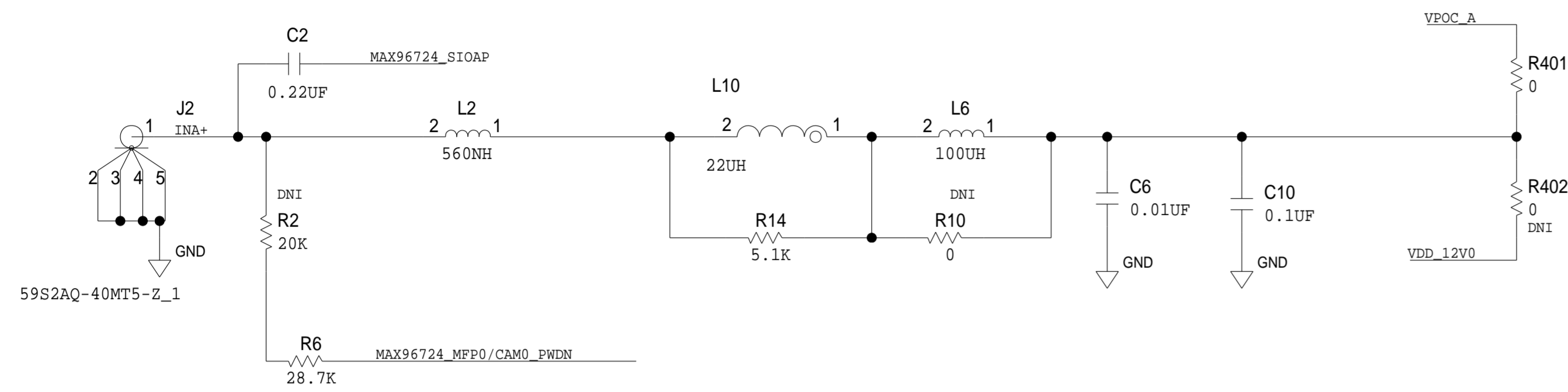
D  
C  
B  
A



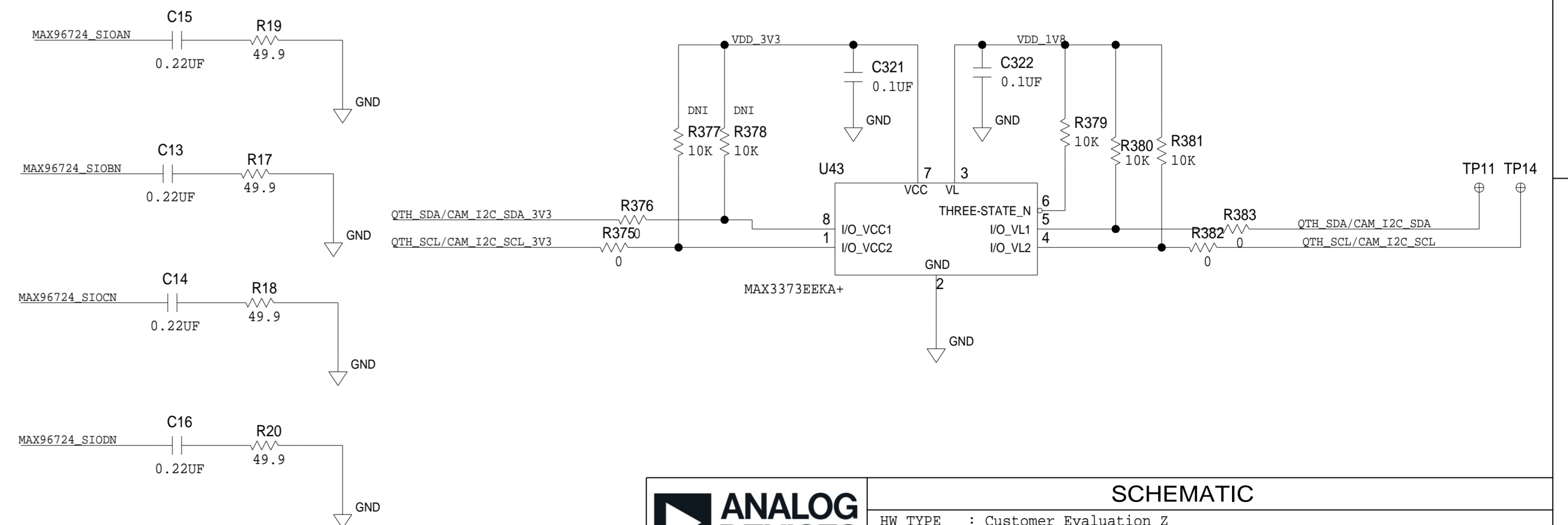
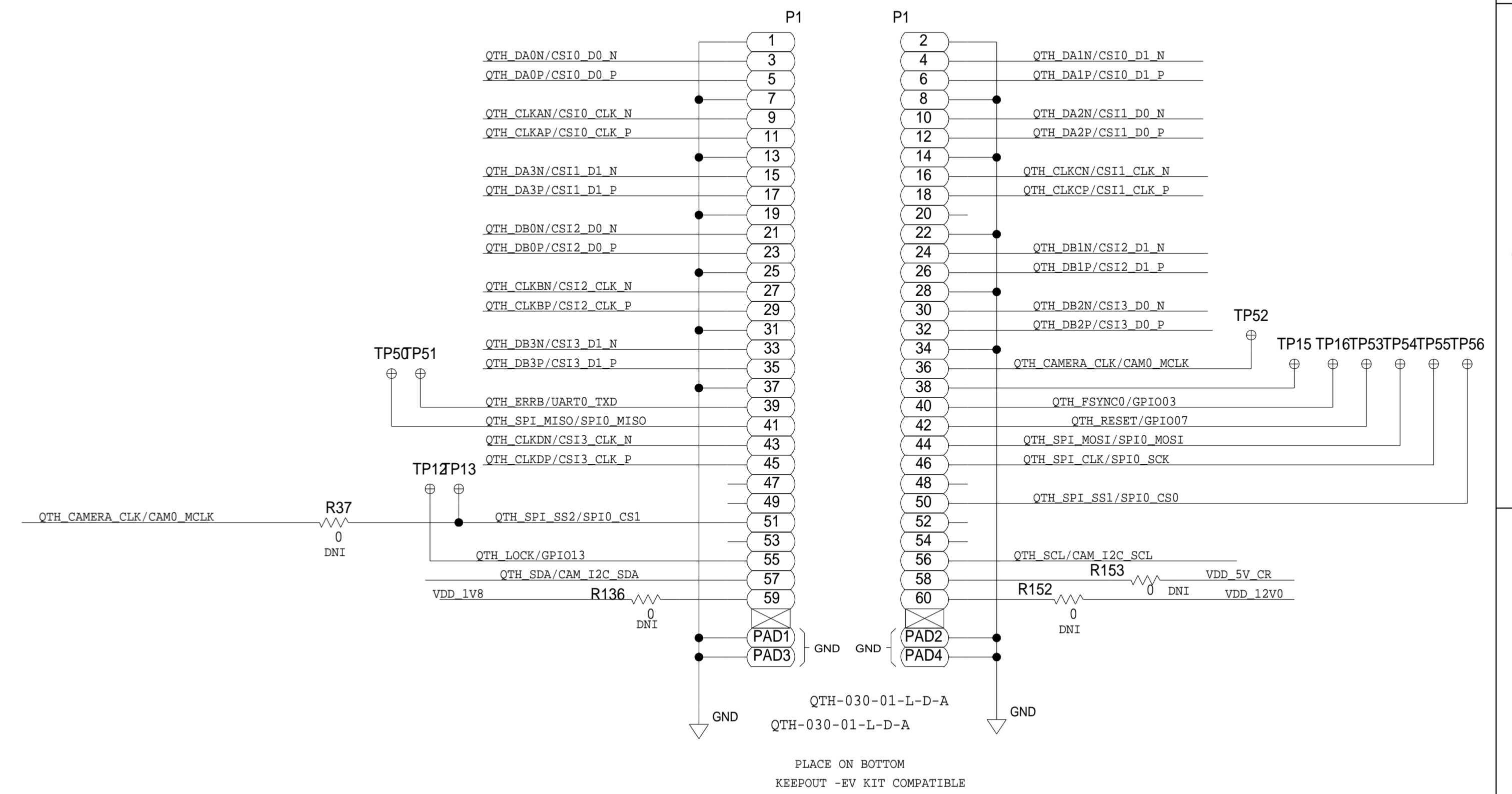
	<b>SCHEMATIC</b>		
	HW TYPE : Customer Evaluation Z Product(s): GMSL Camera : GMSL MIPI CSI-2 Deserializers		
DESIGN VIEW <DESIGN_VIEW>	DRAWING NO. 02_074767	REV B	
PTD ENGINEER A. POP	SIZE D	SCALE 1:1	SHEET 2 OF 17

REVISIONS			
REV	DESCRIPTION	DATE	APPROVED

### GMSL INPUTS



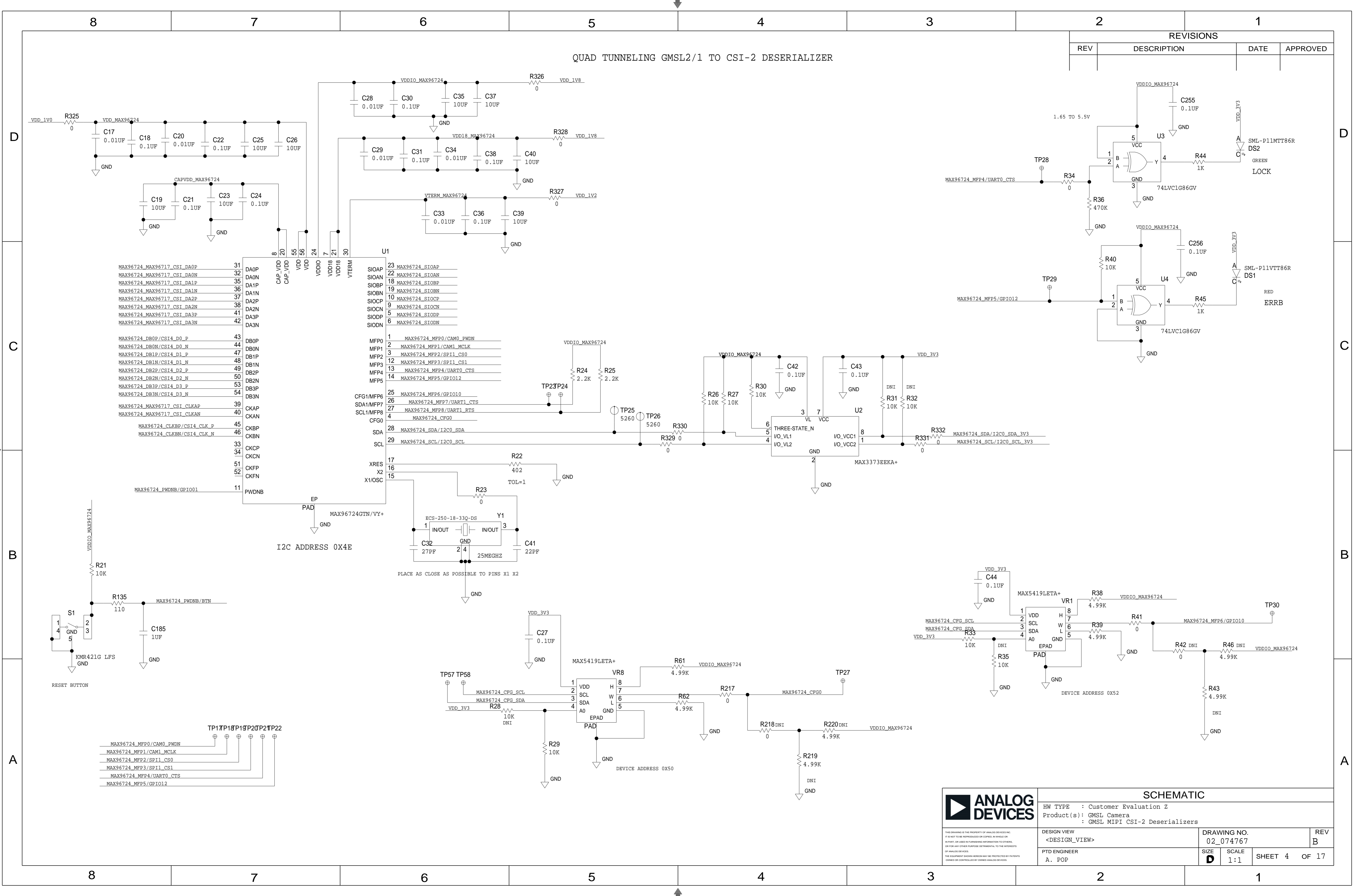
### CSI INPUTS- SAMTEC QTH



	<b>SCHEMATIC</b>		
	HW TYPE : Customer Evaluation Z Product(s) : GMSL Camera : GMSL MIPI CSI-2 Deserializers		
DESIGN VIEW <DESIGN_VIEW>	DRAWING NO. 02_074767	REV B	
PTD ENGINEER A. POP	SIZE D	SCALE 1:1	SHEET 3 OF 17

QUAD TUNNELING GMSL2/1 TO CSI-2 DESERIALIZER

REVISIONS			
REV	DESCRIPTION	DATE	APPROVED

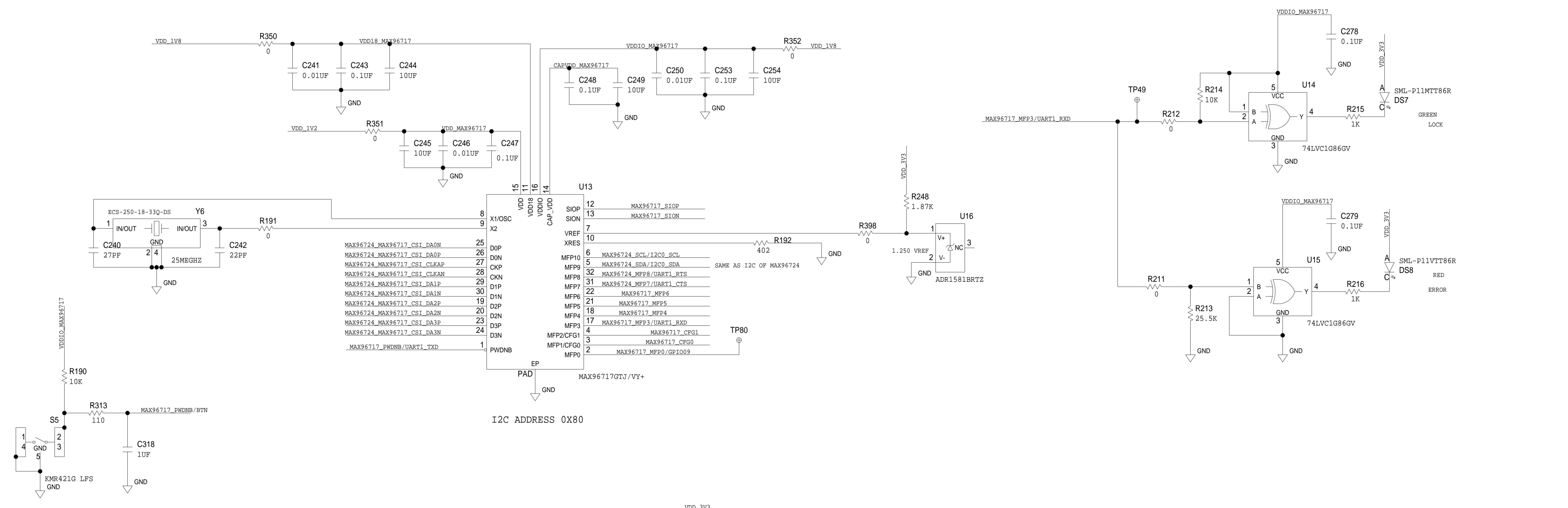


MAX96724_MAX96717_CSI_DA0P	31	DA0P	MAX96724_SIOAP	23
MAX96724_MAX96717_CSI_DA0N	32	DA0N	MAX96724_SIOAN	22
MAX96724_MAX96717_CSI_DA1P	35	DA1P	MAX96724_SIOBP	18
MAX96724_MAX96717_CSI_DA1N	36	DA1N	MAX96724_SIOBN	19
MAX96724_MAX96717_CSI_DA2P	37	DA2P	MAX96724_SIOCP	10
MAX96724_MAX96717_CSI_DA2N	38	DA2N	MAX96724_SIOCN	9
MAX96724_MAX96717_CSI_DA3P	41	DA3P	MAX96724_SIODP	5
MAX96724_MAX96717_CSI_DA3N	42	DA3N	MAX96724_SIODN	6
MAX96724_DB0P/CSI4_D0_P	43	DB0P	MAX96724_MFP0/CAM0_PWDN	1
MAX96724_DB0N/CSI4_D0_N	44	DB0N	MAX96724_MFP1/CAM1_MCLK	2
MAX96724_DB1P/CSI4_D1_P	47	DB1P	MAX96724_MFP2/SP11_CS0	3
MAX96724_DB1N/CSI4_D1_N	48	DB1N	MAX96724_MFP3/SP11_CS1	12
MAX96724_DB2P/CSI4_D2_P	49	DB2P	MAX96724_MFP4/UART0_CTS	13
MAX96724_DB2N/CSI4_D2_N	50	DB2N	MAX96724_MFP5/GPI012	14
MAX96724_DB3P/CSI4_D3_P	53	DB3P	MAX96724_MFP6/GPI010	25
MAX96724_DB3N/CSI4_D3_N	54	DB3N	MAX96724_MFP7/UART1_CTS	26
MAX96724_MAX96717_CSI_CLKAP	39	CKAP	MAX96724_MFP8/UART1_RTS	27
MAX96724_MAX96717_CSI_CLKAN	40	CKAN	MAX96724_CFG0	4
MAX96724_CLKBP/CSI4_CLK_P	45	CKBP	MAX96724_SDA/I2C0_SDA	28
MAX96724_CLKBN/CSI4_CLK_N	46	CKBN	MAX96724_SCL/I2C0_SCL	29
MAX96724_CKCP	33	CKCP	MAX96724_CFG0	4
MAX96724_CKCN	34	CKCN	MAX96724_CFG0	4
MAX96724_CKFP	51	CKFP	MAX96724_CFG0	4
MAX96724_CKFN	52	CKFN	MAX96724_CFG0	4
MAX96724_PWDNB/GPI001	11	PWDNB	MAX96724_CFG0	4

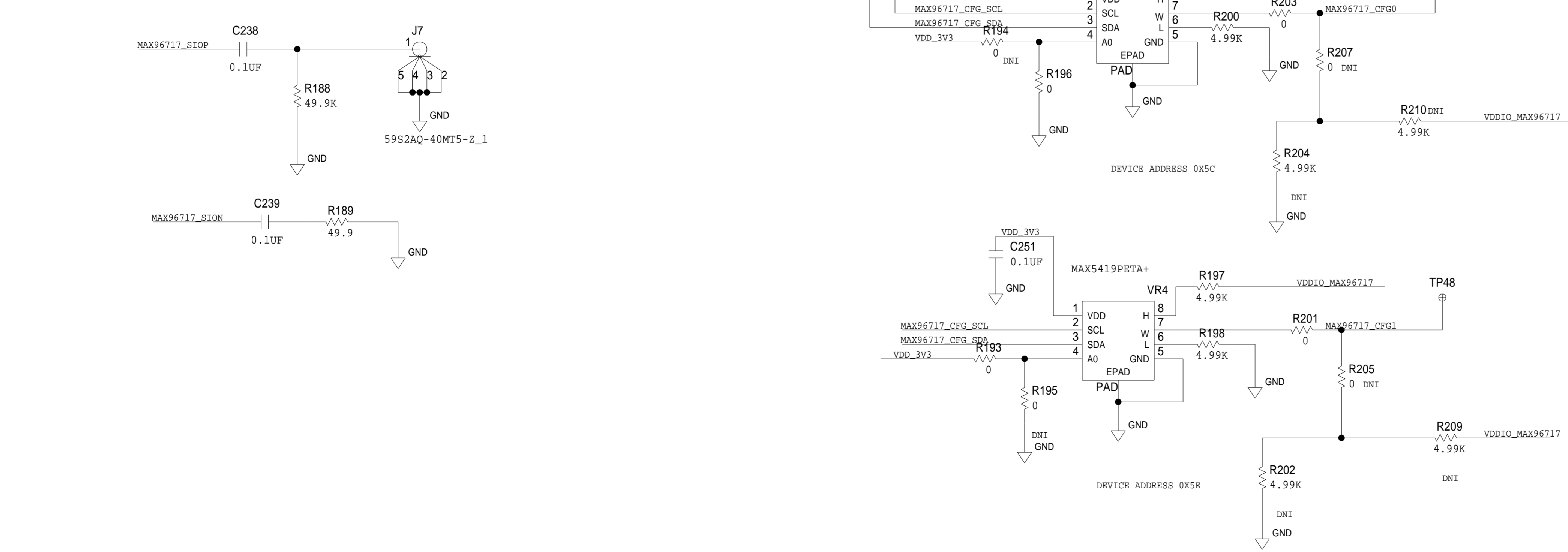
	<b>SCHEMATIC</b>		
	HW TYPE : Customer Evaluation Z Product(s) : GMSL Camera : GMSL MIPI CSI-2 Deserializers		
DESIGN VIEW <DESIGN_VIEW>	DRAWING NO. 02_074767	REV B	
PTD ENGINEER A. POP	SIZE D	SCALE 1:1	SHEET 4 OF 17

REVISIONS			
REV	DESCRIPTION	DATE	APPROVED

### CSI-2 TO GMSL2 SERIALIZER



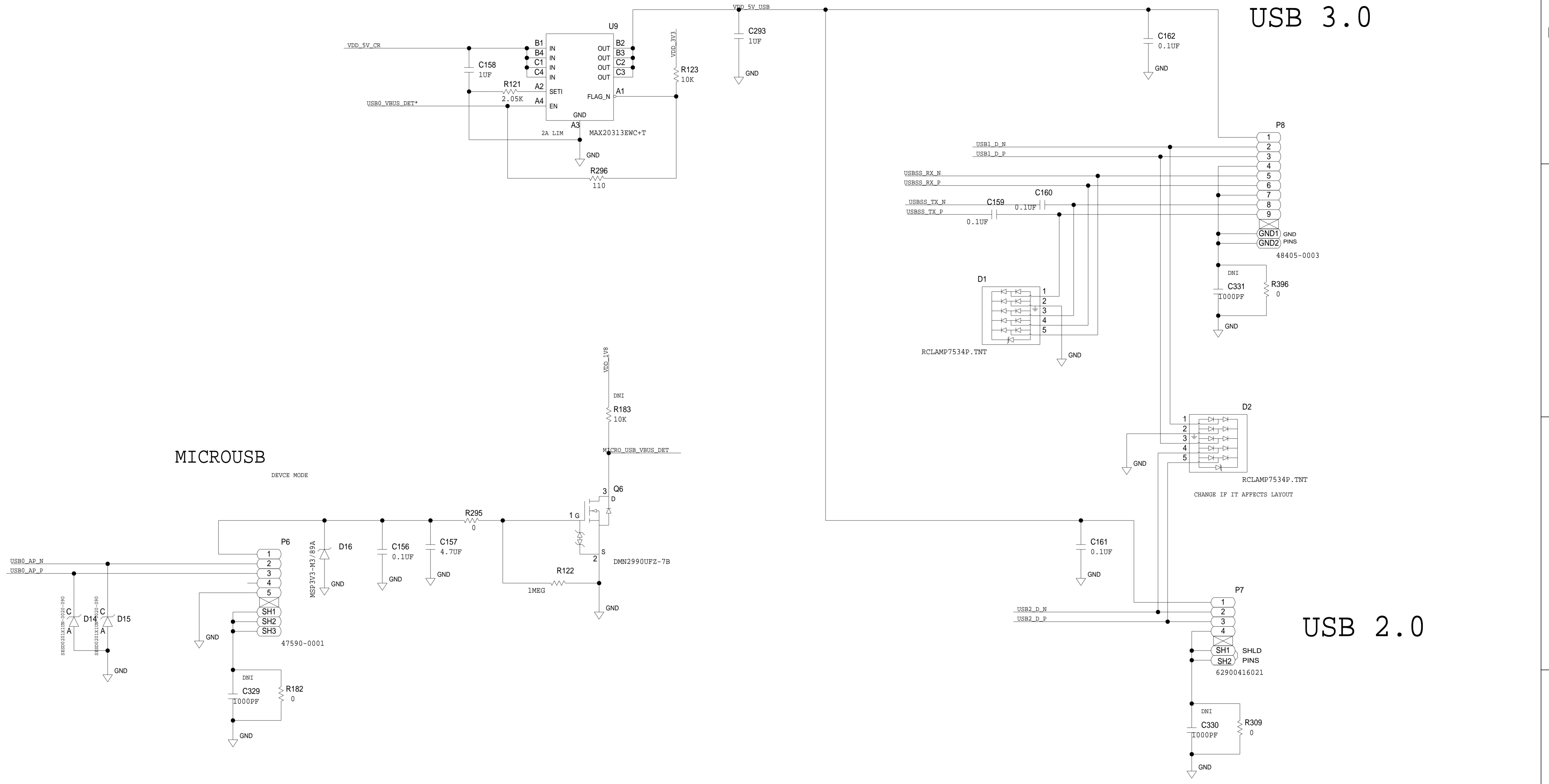
### FAKRA GSML OUTPUT OF MAX96717



	<b>SCHEMATIC</b>		
	HW TYPE : Customer Evaluation Z Product(s) : GMSL Camera : GMSL MIPI CSI-2 Deserializers		
DESIGN VIEW <DESIGN_VIEW>	DRAWING NO. 02_074767	REV B	
PTD ENGINEER A. POP	SIZE D	SCALE 1:1	SHEET 5 OF 17

THIS DRAWING IS THE PROPERTY OF ANALOG DEVICES INC. IT IS NOT TO BE REPRODUCED OR COPIED, IN WHOLE OR IN PART, OR USED IN ANY MANNER WITHOUT THE WRITTEN PERMISSION OF ANALOG DEVICES. THE EQUIPMENT SHOWN HEREIN MAY BE PROTECTED BY PATENTS OWNED OR CONTROLLED BY ANALOG DEVICES.

REVISIONS			
REV	DESCRIPTION	DATE	APPROVED

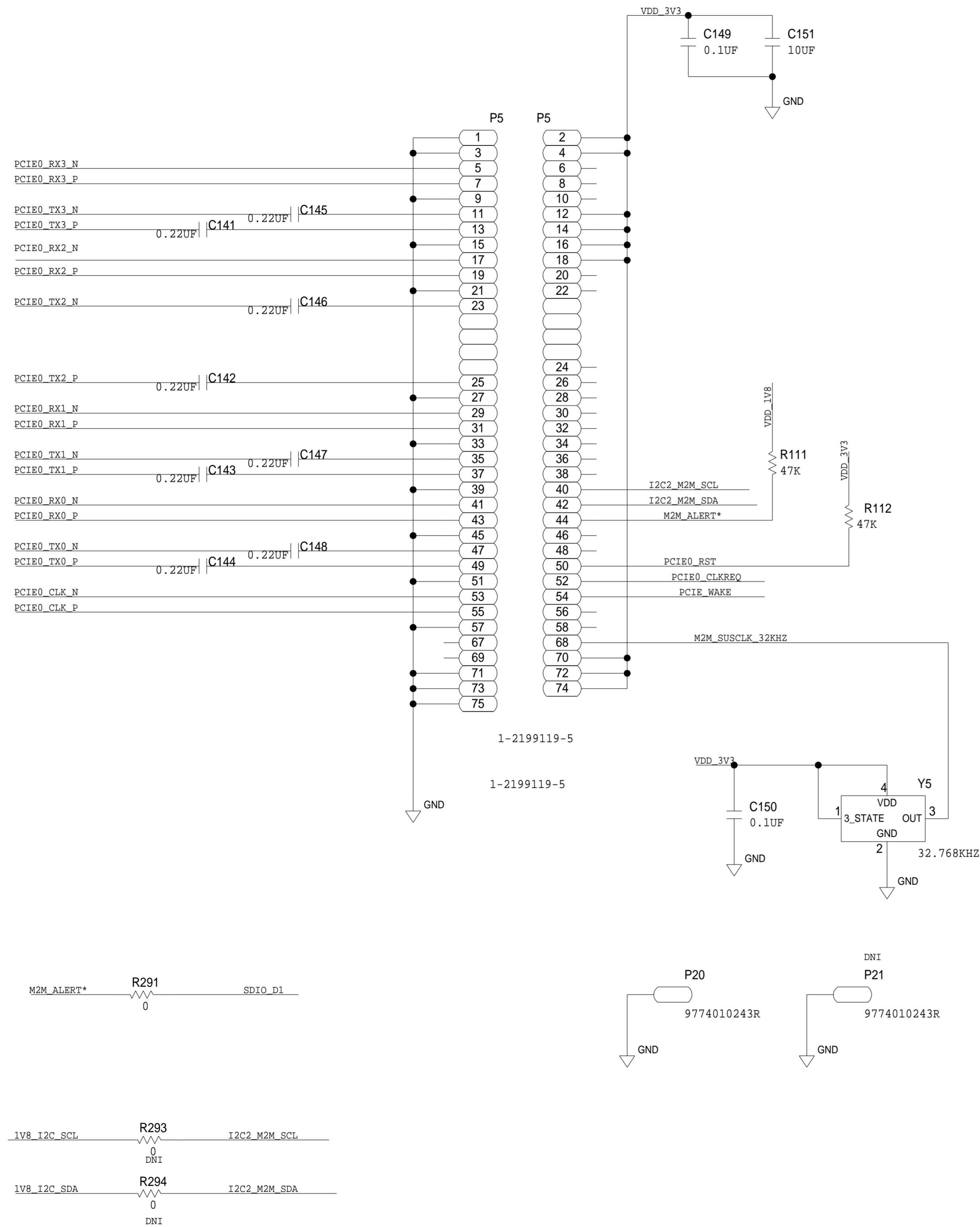


	<b>SCHEMATIC</b>		
	HW TYPE : Customer Evaluation Z Product(s): GMSL Camera : GMSL MIPI CSI-2 Deserializers		
DESIGN VIEW <DESIGN_VIEW>	DRAWING NO. 02_074767	REV B	
PTD ENGINEER A. POP	SIZE D	SCALE 1:1	SHEET 6 OF 17

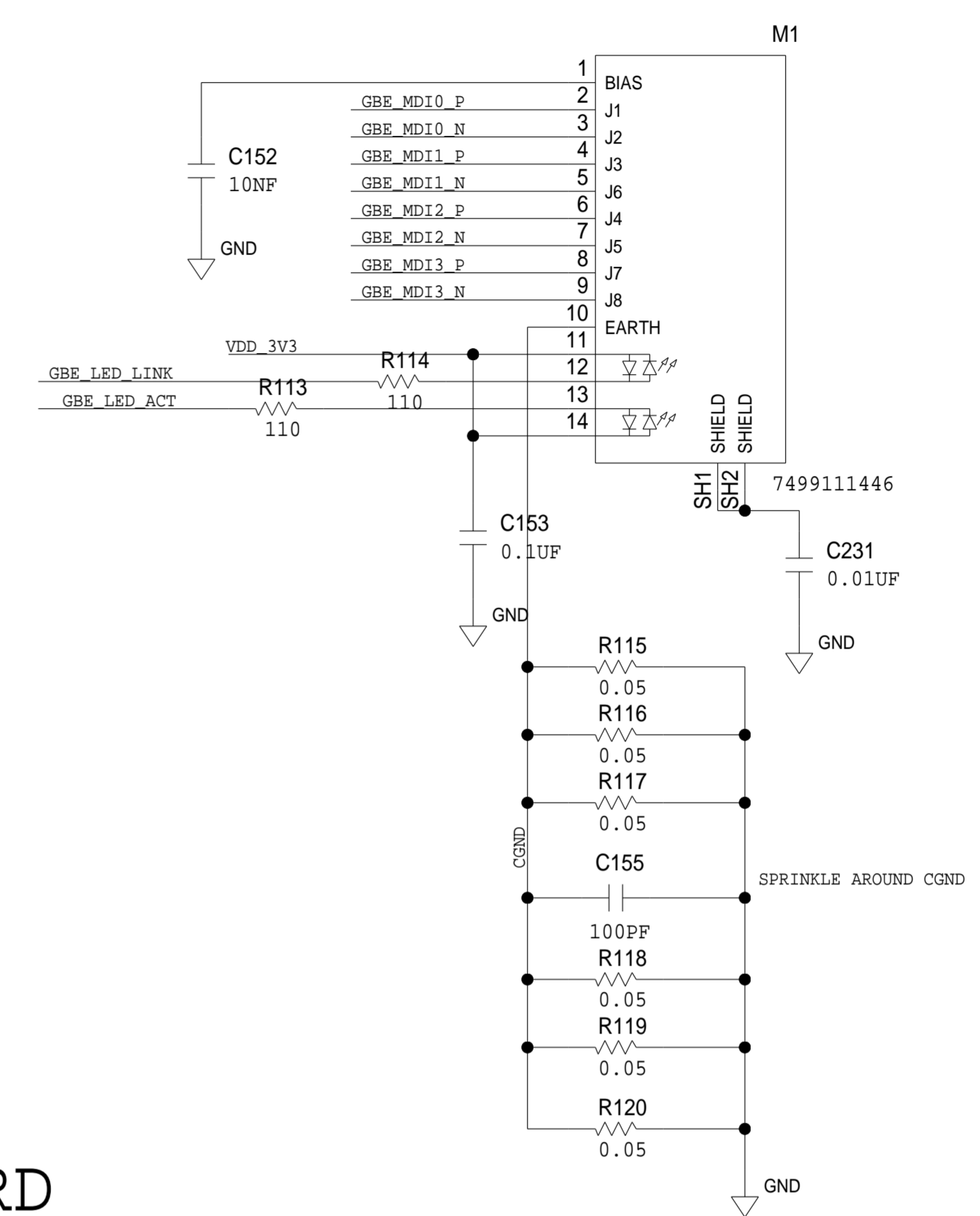
THIS DRAWING IS THE PROPERTY OF ANALOG DEVICES INC. IT IS NOT TO BE REPRODUCED OR COPIED, IN WHOLE OR IN PART, OR USED IN ANY MANNER WITHOUT THE WRITTEN PERMISSION OF ANALOG DEVICES. THE EQUIPMENT SHOWN HEREIN MAY BE PROTECTED BY PATENTS OWNED OR CONTROLLED BY ANALOG DEVICES.

REVISIONS			
REV	DESCRIPTION	DATE	APPROVED

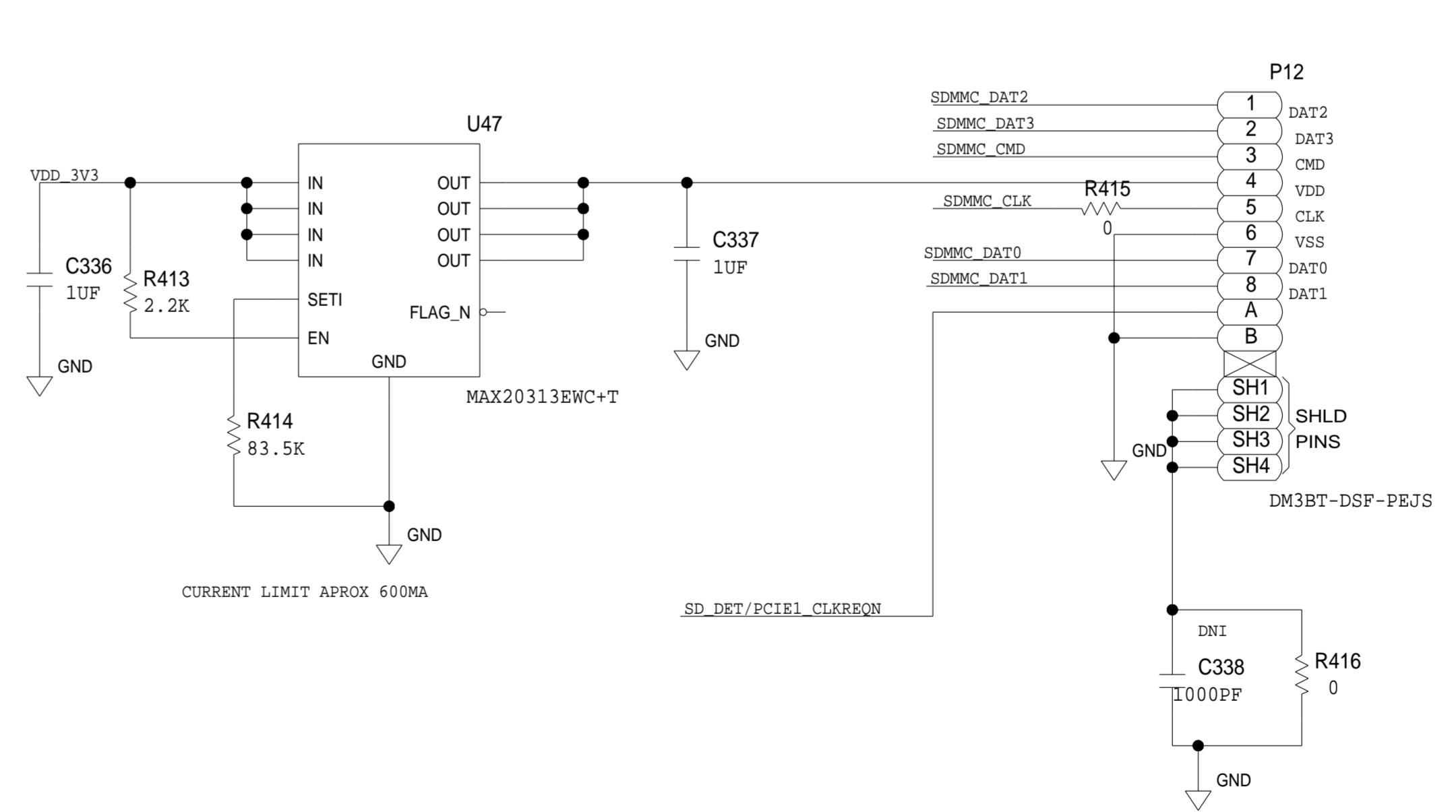
# M.2 KEY M



# EHTERNET RJ45



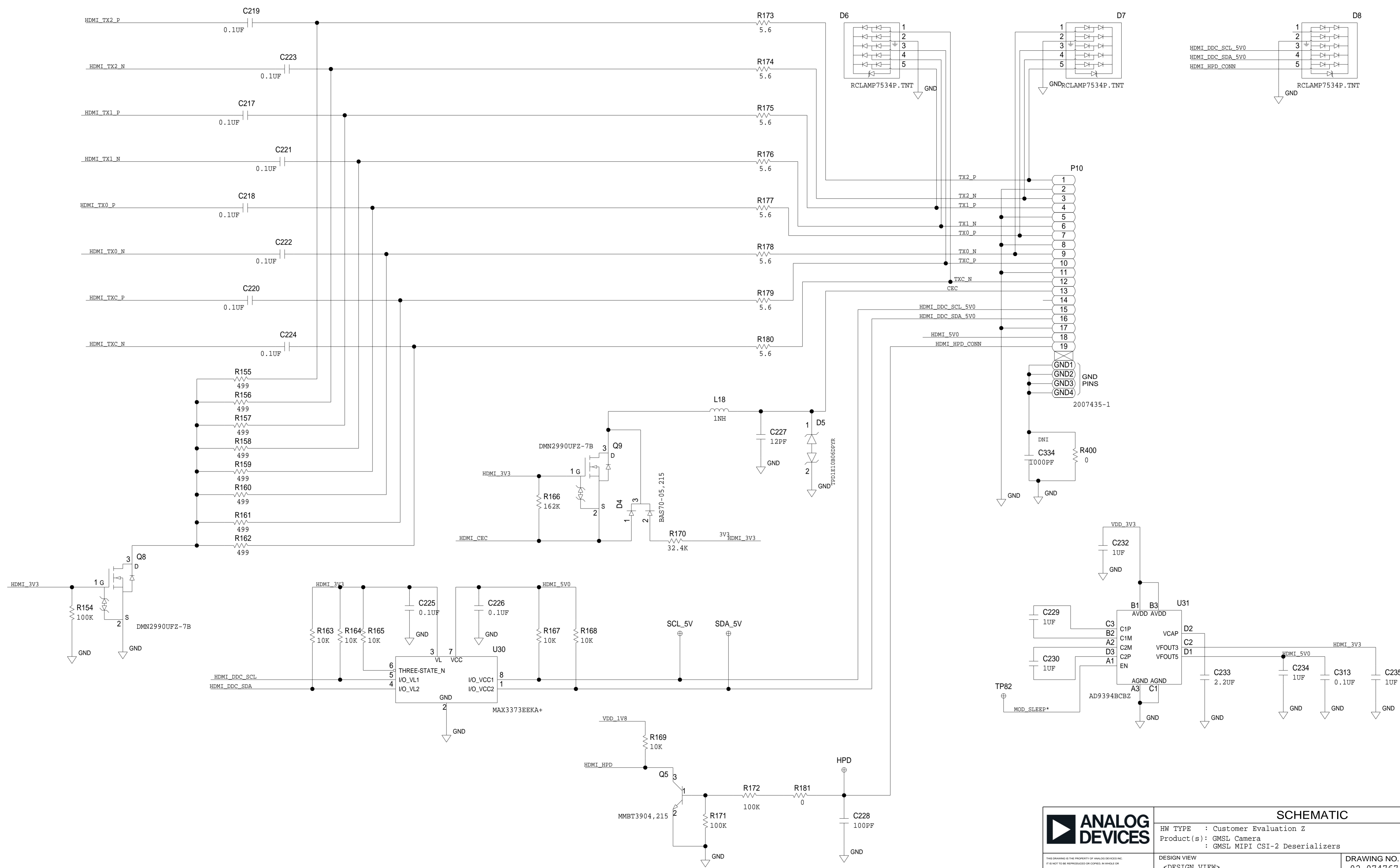
# MICRO SD CARD



ANALOG DEVICES		SCHEMATIC			
<small>THIS DRAWING IS THE PROPERTY OF ANALOG DEVICES INC. IT IS NOT TO BE REPRODUCED OR COPIED IN WHOLE OR IN PART, OR USED IN FURNISHING INFORMATION TO OTHERS, OR FOR ANY OTHER PURPOSE DETRIMENTAL TO THE INTERESTS OF ANALOG DEVICES. THE EQUIPMENT SHOWN HEREON MAY BE PROTECTED BY PATENTS OWNED OR CONTROLLED BY ANALOG DEVICES.</small>		HW TYPE : Customer Evaluation Z		DRAWING NO. 02_074767	
		Product(s): GMSL Camera		REV B	
DESIGN VIEW <DESIGN_VIEW>		PTD ENGINEER A. POP	SIZE D	SCALE 1:1	SHEET 7 OF 17

# HDMI OUT

REVISIONS			
REV	DESCRIPTION	DATE	APPROVED

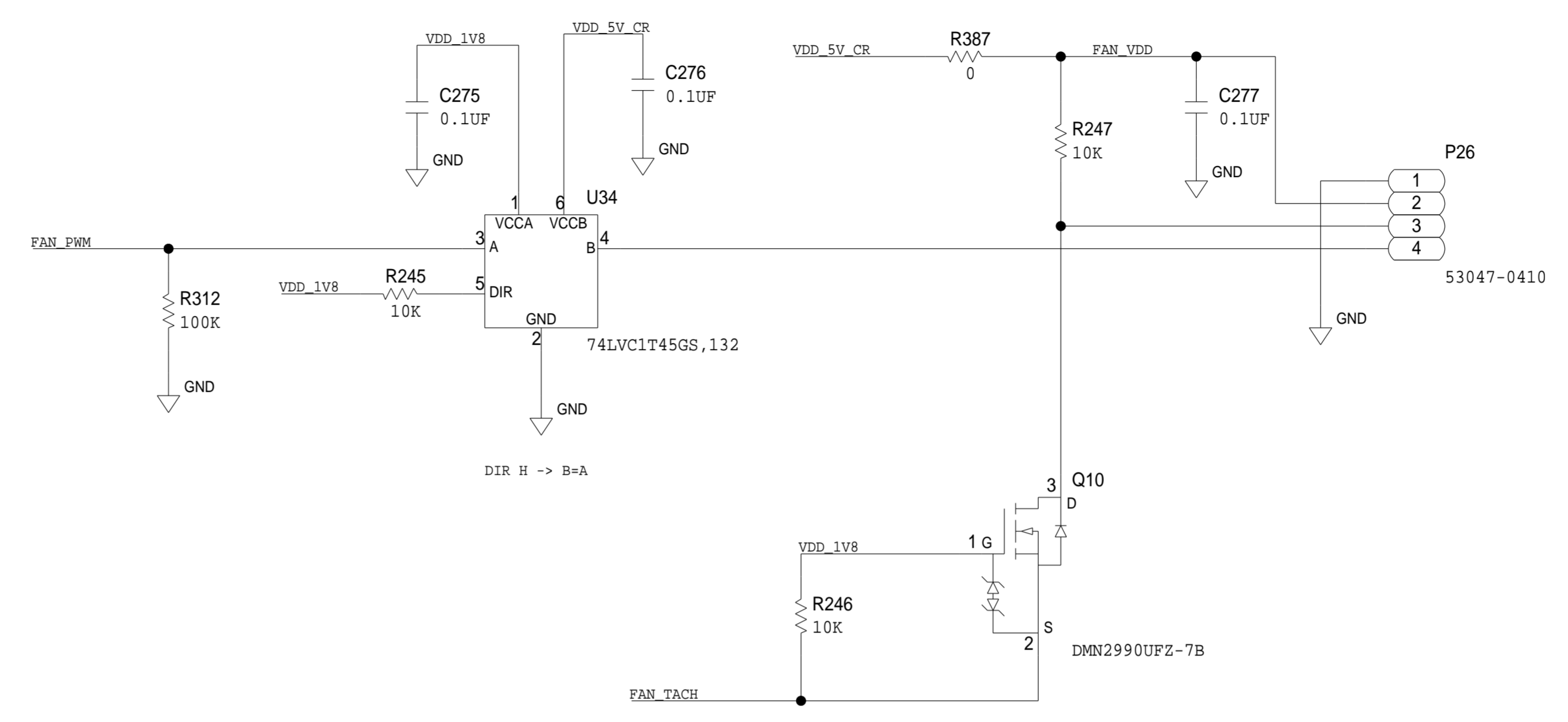


	<b>SCHEMATIC</b>		
	HW TYPE : Customer Evaluation Z Product(s) : GMSL Camera : GMSL MIPI CSI-2 Deserializers		
DESIGN VIEW <DESIGN_VIEW>	DRAWING NO. 02_074767	REV B	
PTD ENGINEER A. POP	SIZE D	SCALE 1:1	SHEET 8 OF 17

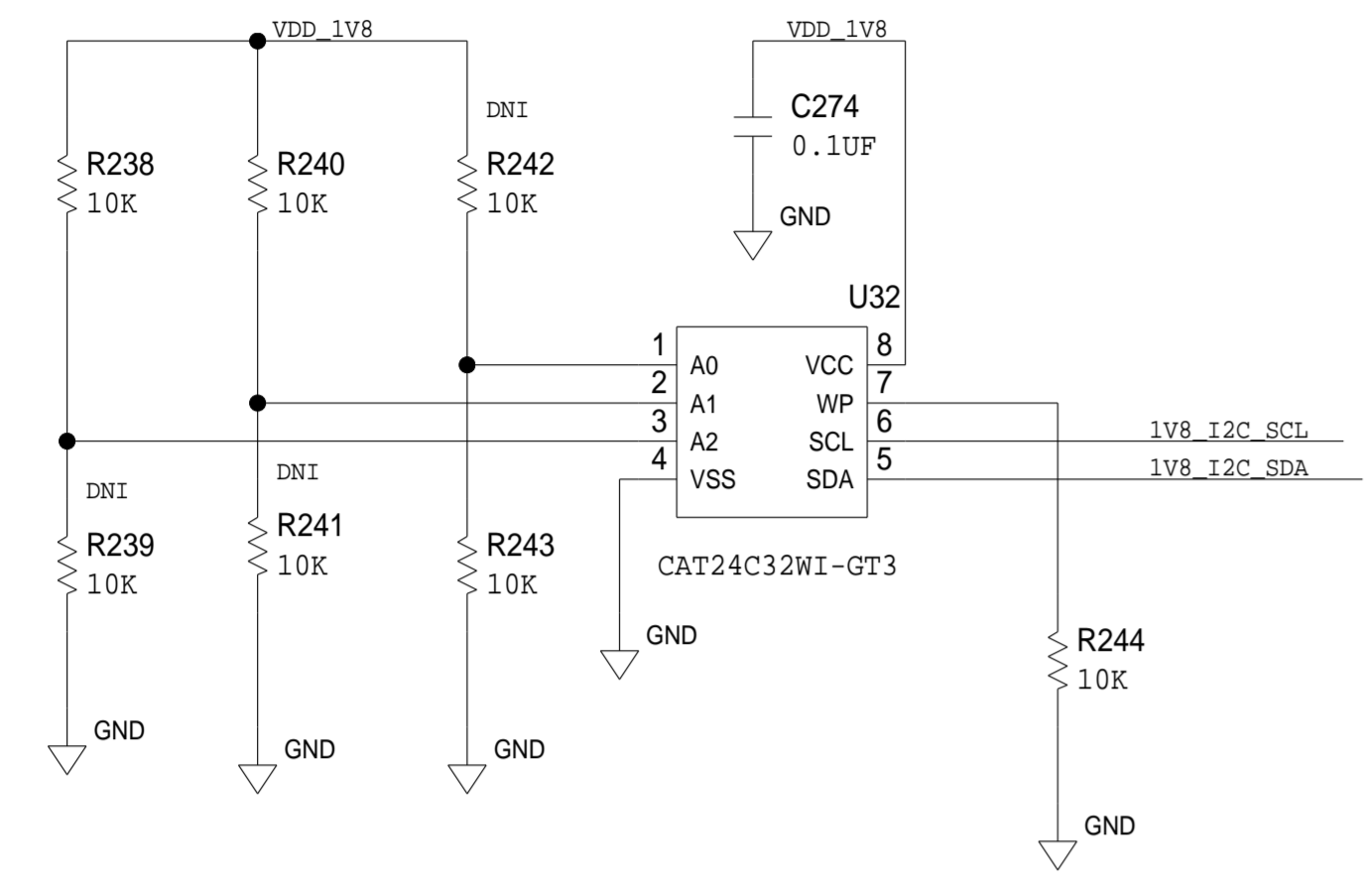


REVISIONS			
REV	DESCRIPTION	DATE	APPROVED

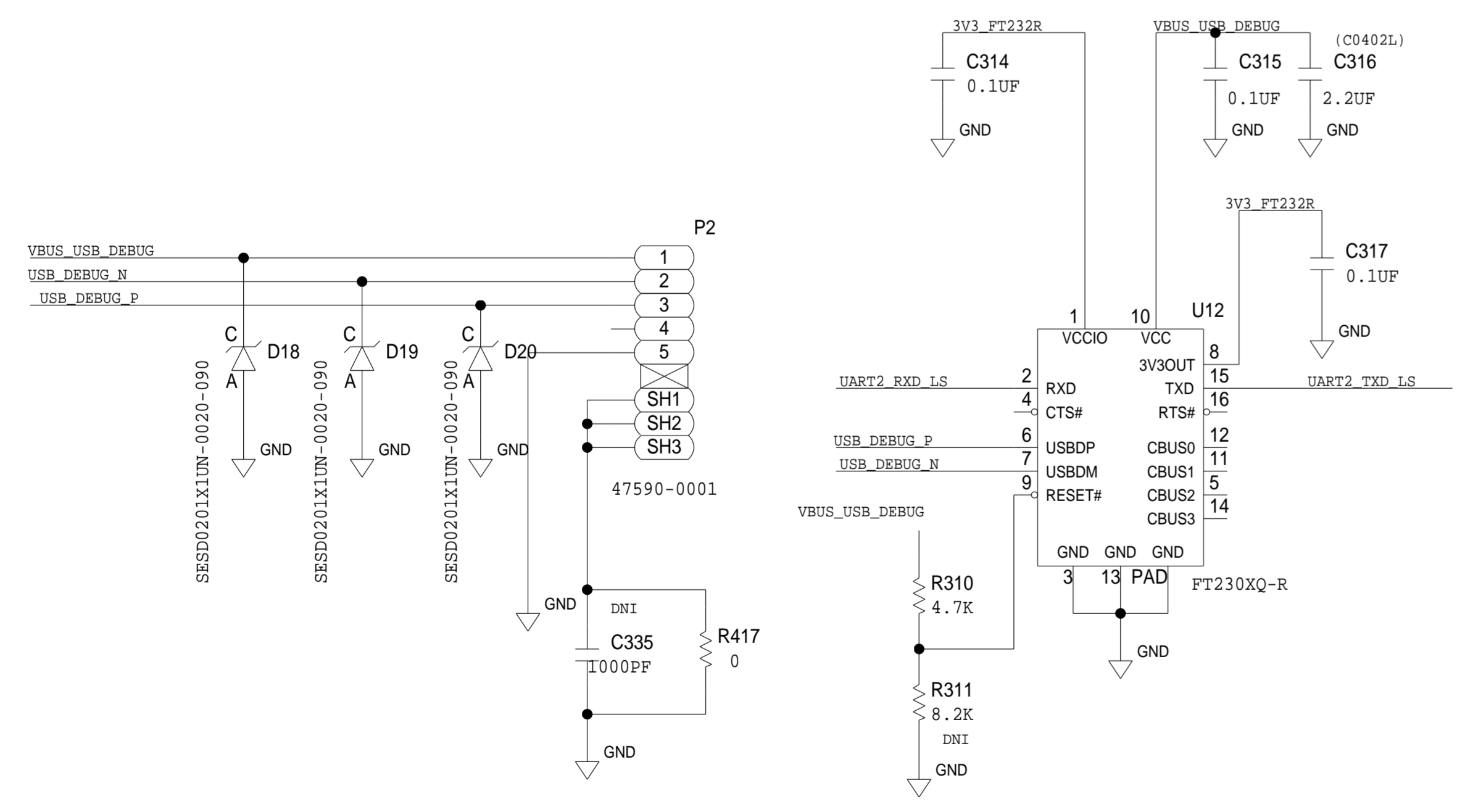
### FAN HEADER



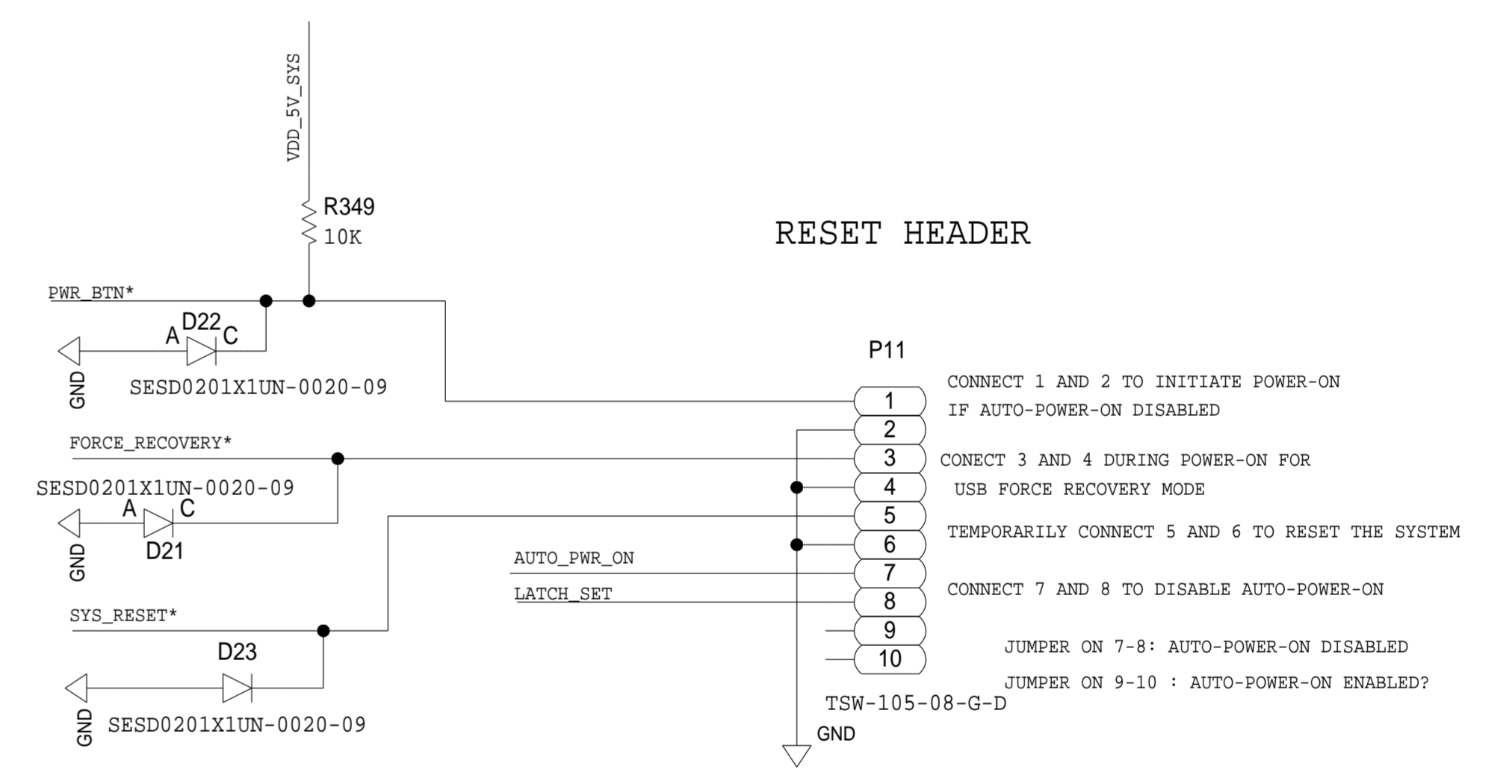
### EEPROM



### USB SERIAL DEBUG

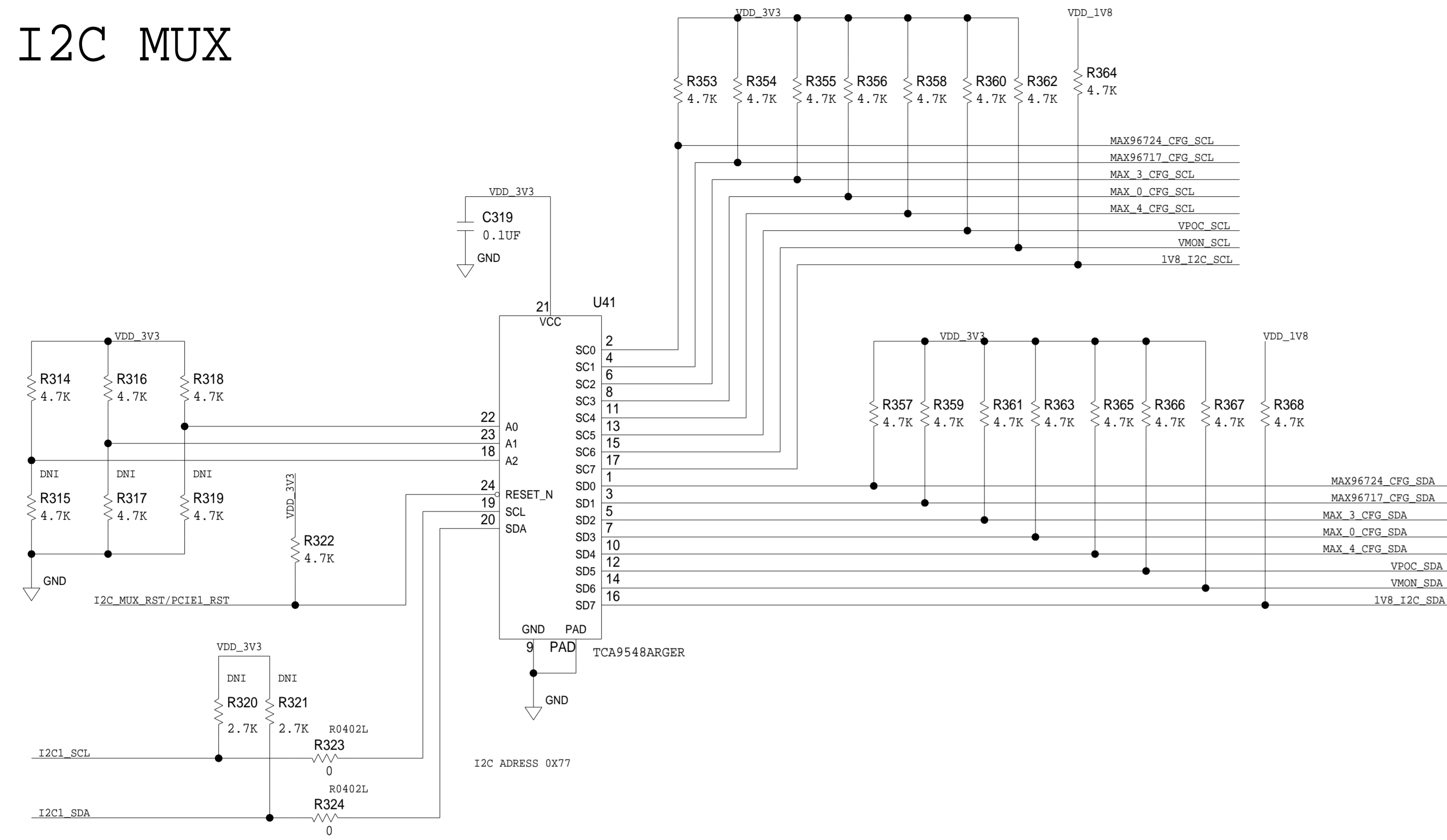


### RESET HEADER



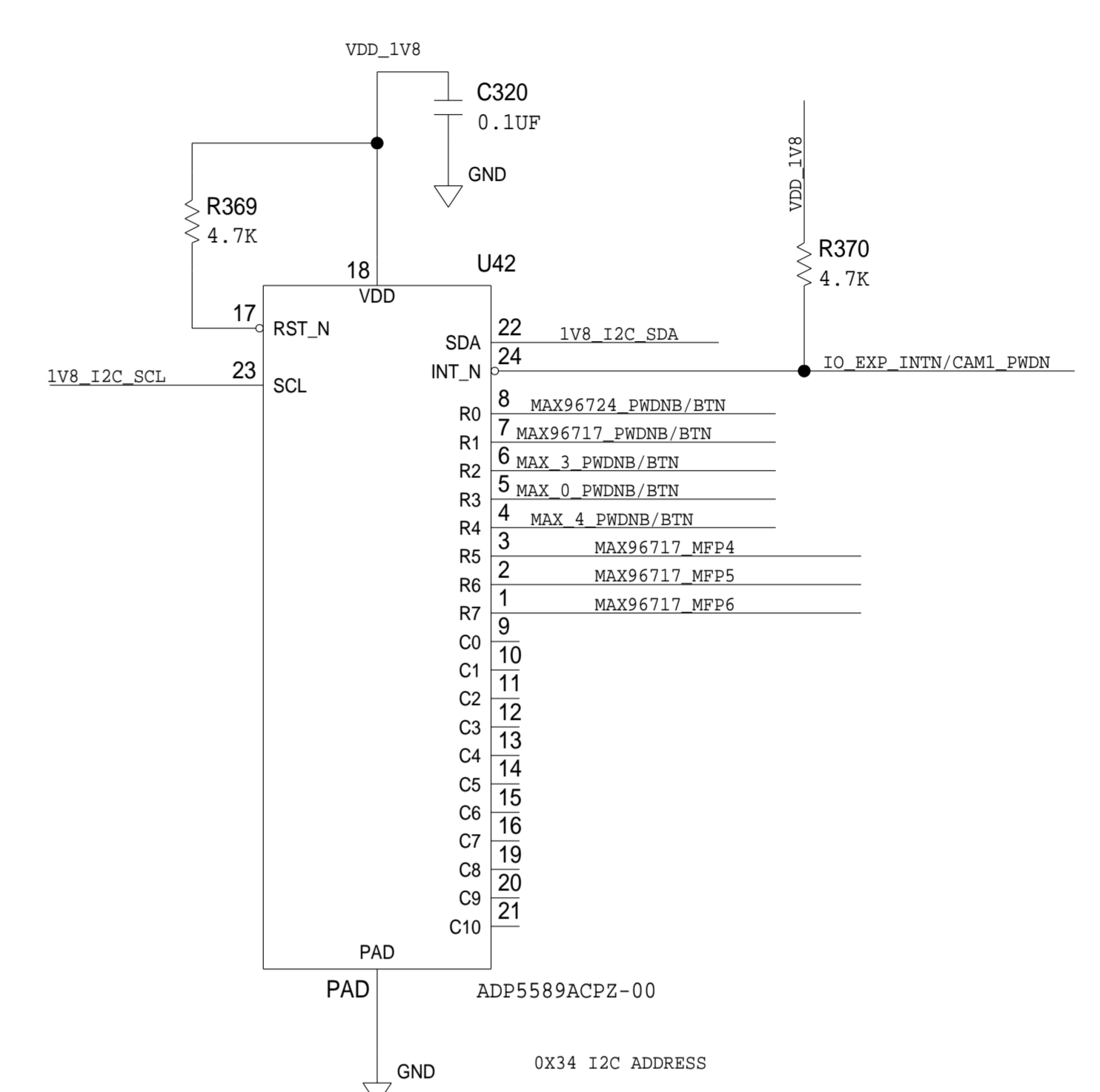
	<b>SCHEMATIC</b>		
	HW TYPE : Customer Evaluation Z Product(s) : GMSL Camera : GMSL MIPI CSI-2 Deserializers		
DESIGN VIEW <DESIGN_VIEW>	DRAWING NO. 02_074767	REV B	
PTD ENGINEER A. POP	SIZE D	SCALE 1:1	SHEET 9 OF 17

# I2C MUX

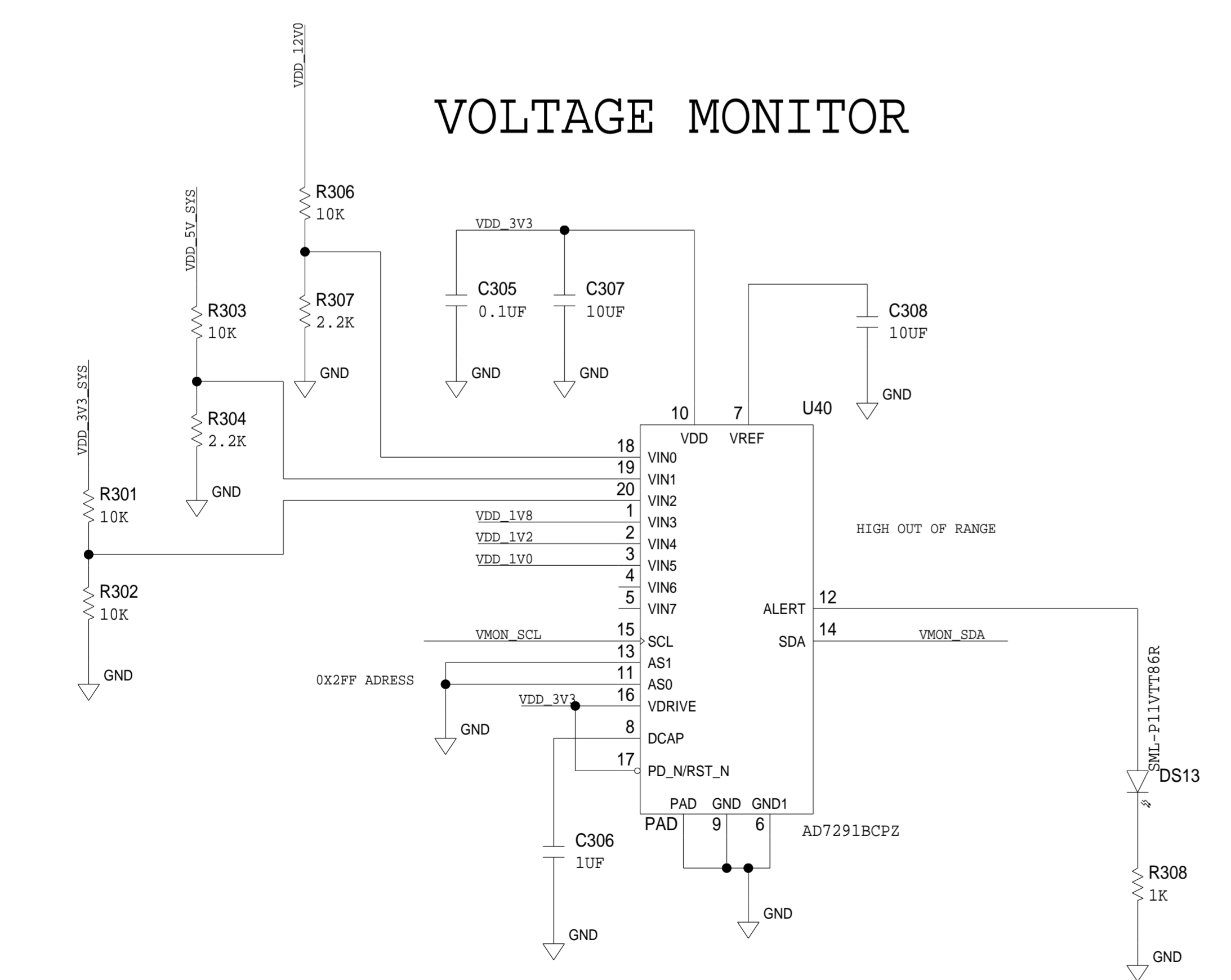


REVISIONS			
REV	DESCRIPTION	DATE	APPROVED

# I/O EXPANSION



# VOLTAGE MONITOR

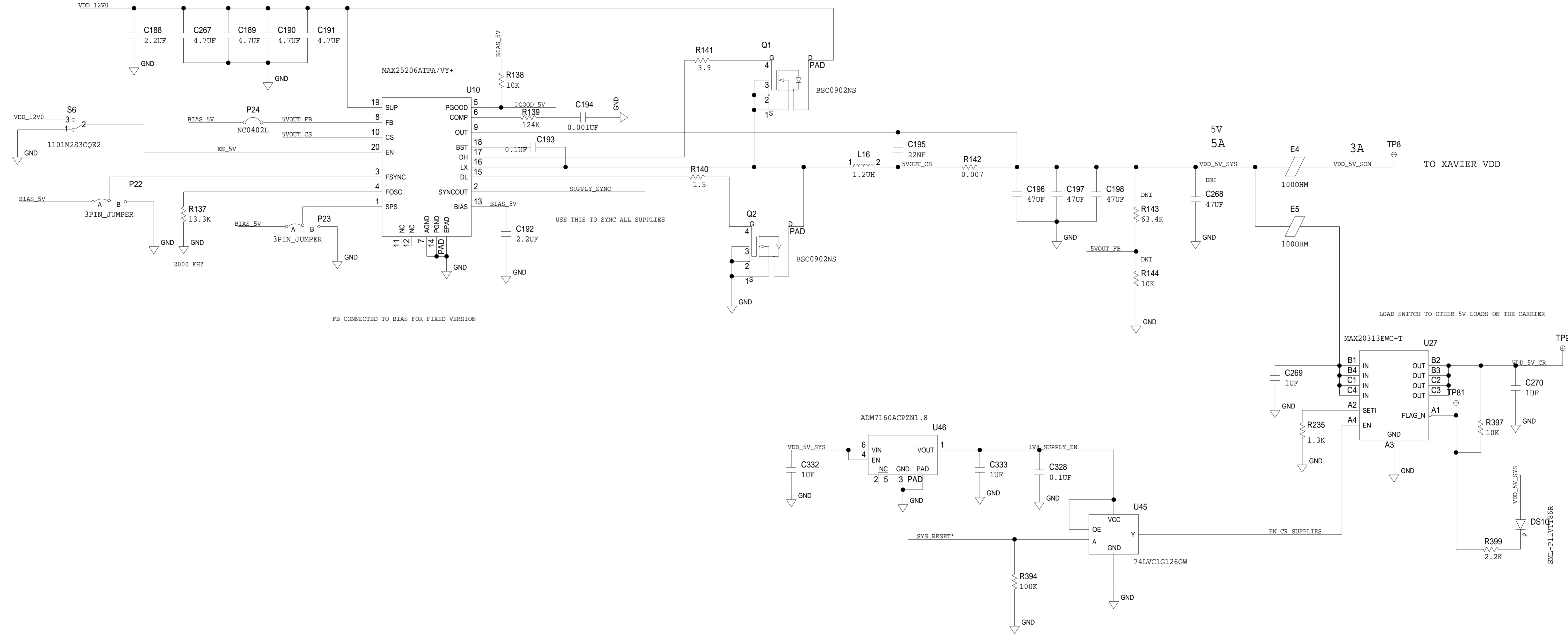


	<b>SCHEMATIC</b>		
	HW TYPE : Customer Evaluation Z Product(s) : GMSL Camera : GMSL MIPI CSI-2 Deserializers		
DESIGN VIEW <DESIGN_VIEW>	DRAWING NO. 02_074767	REV B	
PTD ENGINEER A. POP	SIZE D	SCALE 1:1	SHEET 10 OF 17



REVISIONS			
REV	DESCRIPTION	DATE	APPROVED

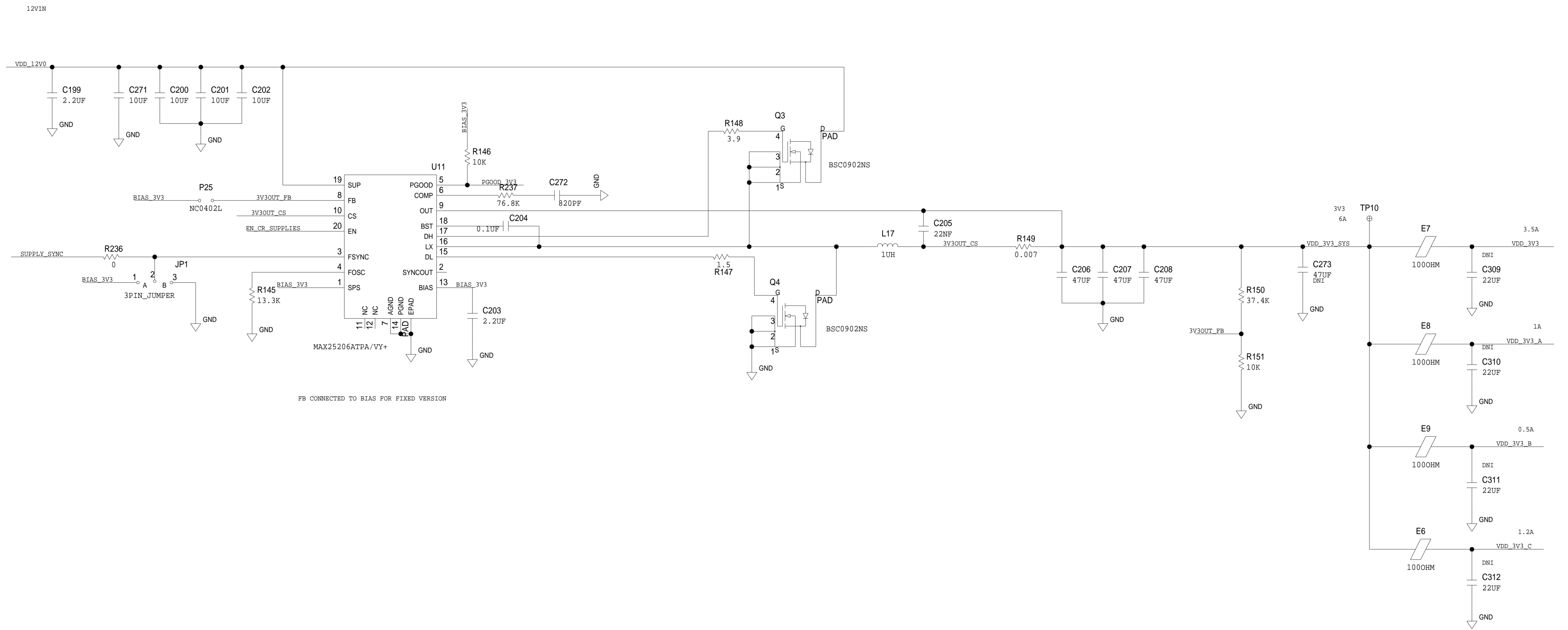
# 5V SUPPLY



ANALOG DEVICES				SCHEMATIC			
<small>THIS DRAWING IS THE PROPERTY OF ANALOG DEVICES INC. IT IS NOT TO BE REPRODUCED OR COPIED, IN WHOLE OR IN PART, OR USED IN FURNISHING INFORMATION TO OTHERS, OR FOR ANY OTHER PURPOSE DETRIMENTAL TO THE INTERESTS OF ANALOG DEVICES. THE EQUIPMENT SHOWN HEREIN MAY BE PROTECTED BY PATENTS OWNED OR CONTROLLED BY ANALOG DEVICES.</small>				HW TYPE : Customer Evaluation Z		DRAWING NO. 02_074767	
				Product(s): GMSL Camera		REV B	
PTD ENGINEER A. POP		SIZE D	SCALE 1:1	SHEET 12 OF 17			

REVISIONS			
REV	DESCRIPTION	DATE	APPROVED

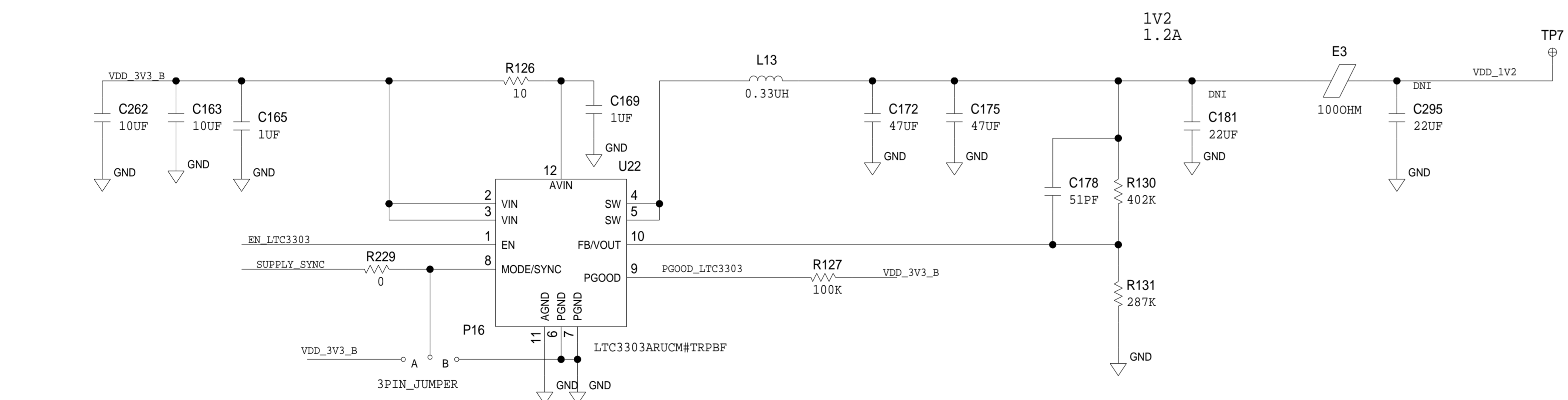
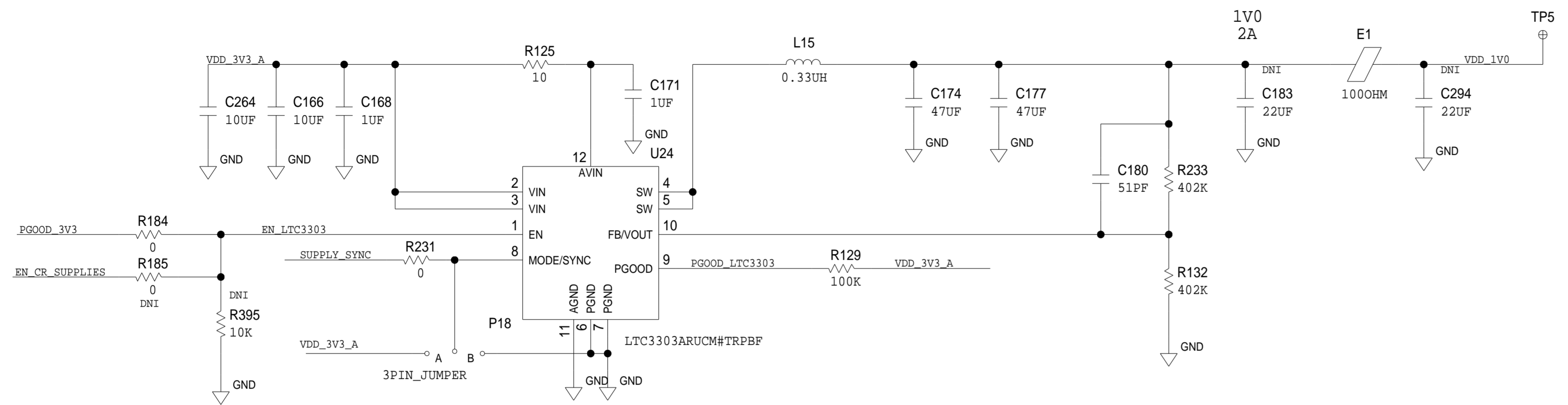
### 3V3 SUPPLY



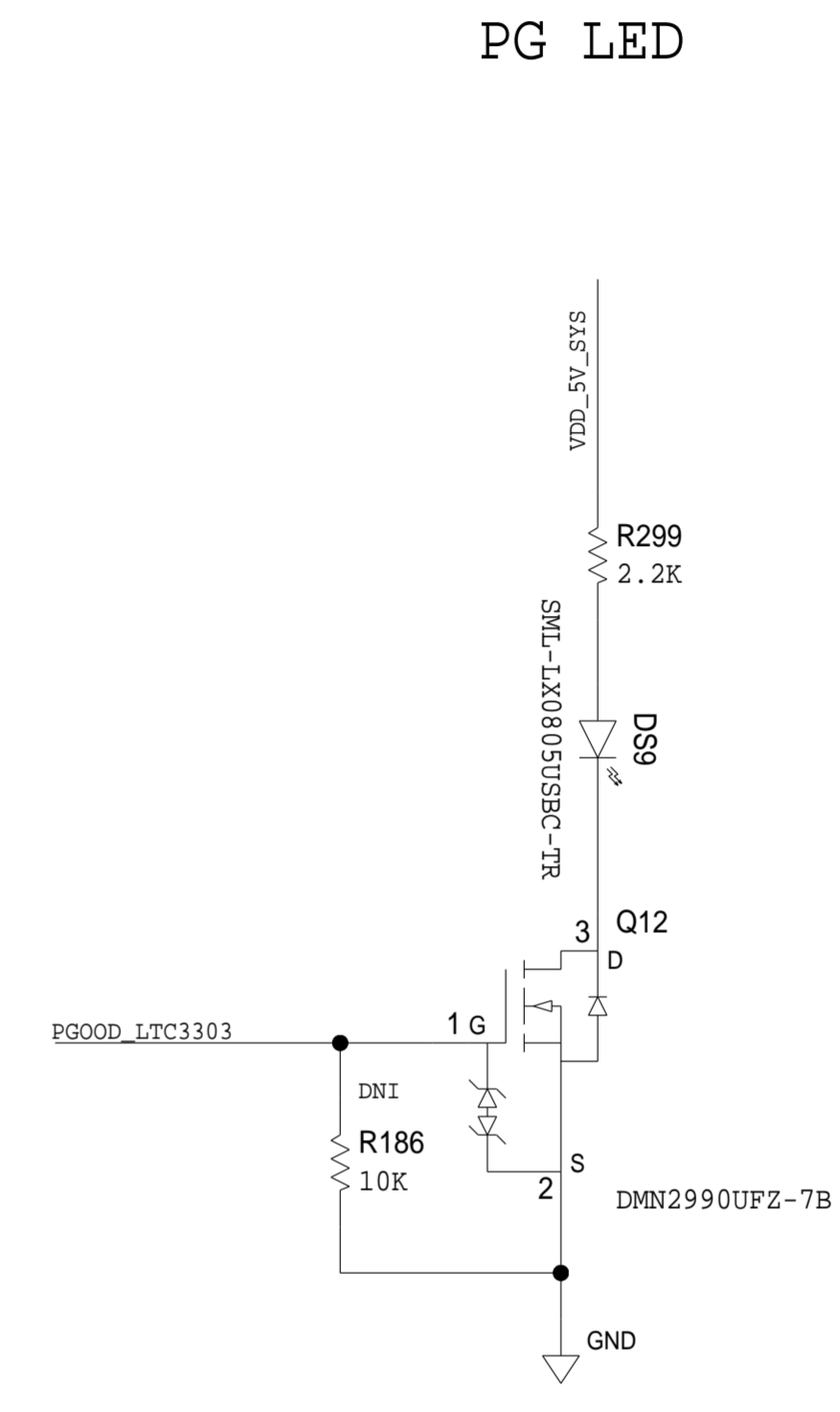
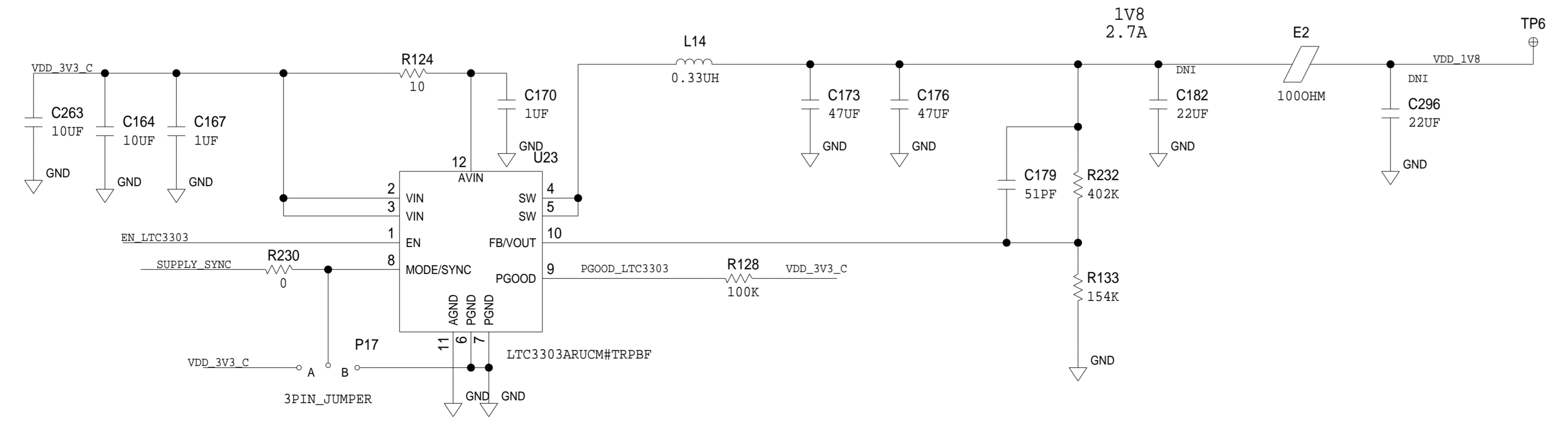
	<b>SCHEMATIC</b>		
	HW TYPE : Customer Evaluation Z Product(s) : GMSL Camera : GMSL MIPI CSI-2 Deserializers		
	DESIGN VIEW <DESIGN_VIEW>	DRAWING NO. 02_074767	REV B
	PTD ENGINEER A. POP	SIZE D	SCALE 1:1
		SHEET 13 OF 17	

REVISIONS			
REV	DESCRIPTION	DATE	APPROVED

# 1V0 1V2 1V8 SUPPLIES



SYNC WITH MAX25206 -5V OUT



	<b>SCHEMATIC</b>		
	HW TYPE : Customer Evaluation Z Product(s) : GMSL Camera : GMSL MIPI CSI-2 Deserializers		
DESIGN VIEW <DESIGN_VIEW>	DRAWING NO. 02_074767	REV B	
PTD ENGINEER A. POP	SIZE D	SCALE 1:1	SHEET 14 OF 17