

THIS DRAWING IS THE PROPERTY OF ANALOG DEVICES INC. IT IS NOT TO BE REPRODUCED OR COPIED, IN WHOLE OR IN PART, OR USED IN FURNISHING INFORMATION TO OTHERS, OR FOR ANY OTHER PURPOSE DETRIMENTAL TO THE INTERESTS OF ANALOG DEVICES. THE EQUIPMENT SHOWN HEREON MAY BE PROTECTED BY PATENTS OWNED OR CONTROLLED BY ANALOG DEVICES.

**RELAY CONTROL CHART**


CONTROL	CODE	DEVICE	FUNCTION	CONNECTOR

JUMPER TABLE		
JP#	ON	OFF
1		
2		
3		
4		
5		

\* SEE ASSEMBLY INSTRUCTIONS

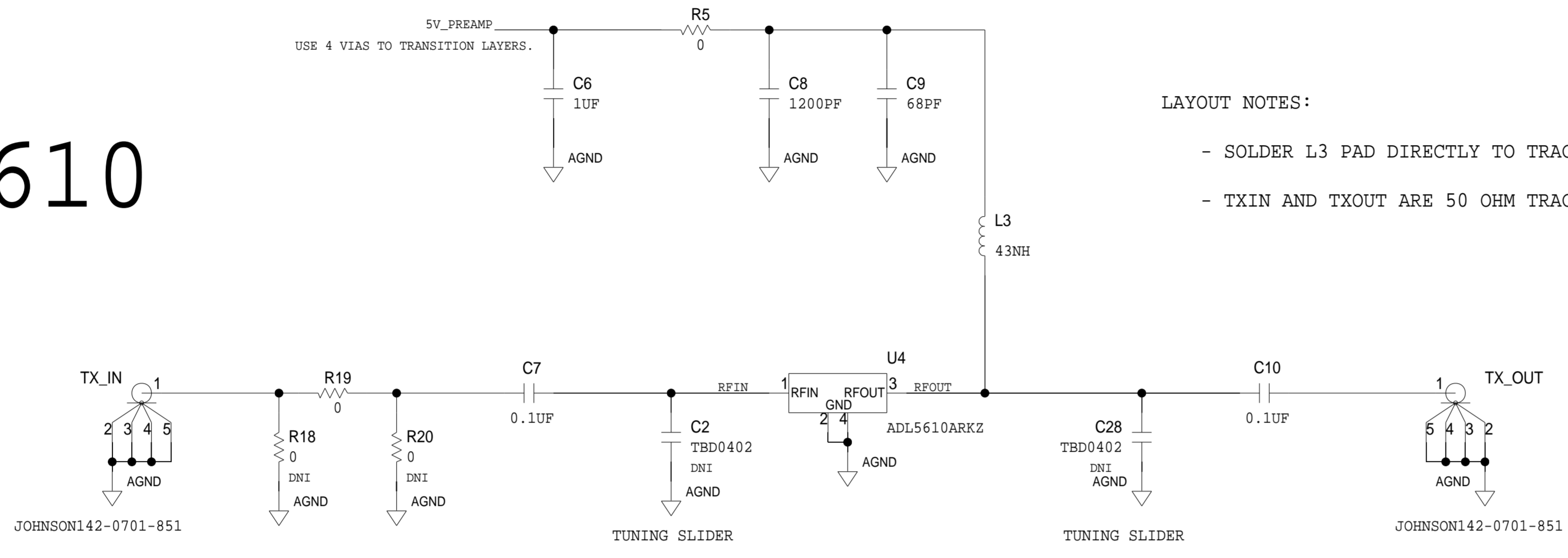
REVISIONS			
REV	DESCRIPTION	DATE	APPROVED
A	ORIGINATION	03APR14	B. KAMAKOTI
B	AS PER ECR-048540	14OCT14	C. EL-KHOURY
B-1	AS PER ECR-052809	01OCT15	C. EL-KHOURY

P.O SPEC.	BK/BD SPEC.	SOCKET OEM	OEM PART#	HANDLER

TEMPLATE ENGINEER N/A	DATE	<b>SCHEMATIC</b>			
HARDWARE SERVICES N/A		HW TYPE :ADL5521/5610 EVALZ			
HARDWARE SYSTEMS N/A		Product(s): ADL5521 (LFCSP), ADL5610 (SOT-89)			
TEST ENGINEER N/A		: FMC COMMS Booster Board			
COMPONENT ENGINEER N/A		PACKAGE : 8-lead 3X3_MM LFCSP and SOT-89			
TEST PROCESS N/A		: Pitch-pitch StyleVendor Style			
HARDWARE RELEASE N/A		TESTER : N/A		CONTACTOR : N/A	
		HANDLER : N/A			
DESIGNER M. LEWIN	03APR14	MASTER PROJECT TEMPLATE TBD	TESTER TEMPLATE no_template	DRAWING NO. 02_038228	
PTD ENGINEER B. KAMAKOTI	03APR14	UNLESS OTHERWISE SPECIFIED DIMENSIONS ARE IN INCHES		REV. B	
CHECKER *		TOLERANCES		SIZE	
		DECIMALS X.XX +0.010 X.XXX +0.005	FRACTIONS +1/32	ANGLES +2	SCALE None
				CODE ID NO. 24355	SHEET 1 OF 3

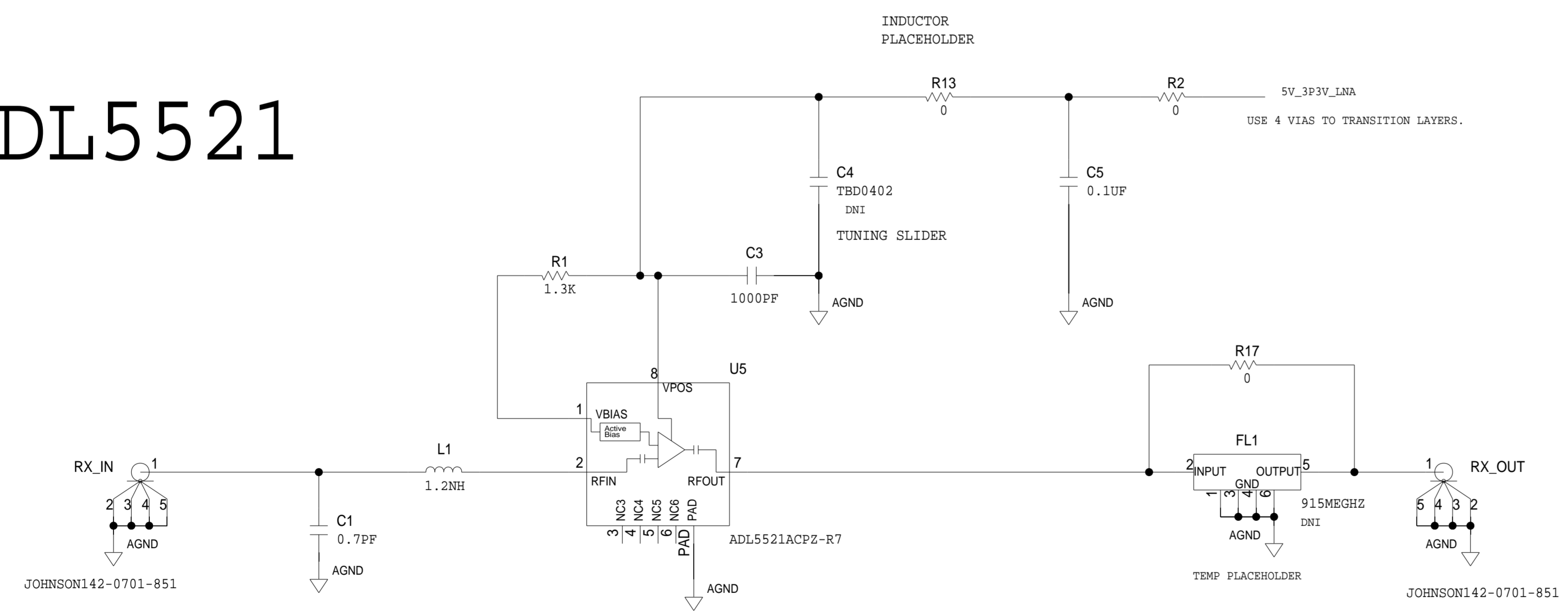
REVISIONS			
REV	DESCRIPTION	DATE	APPROVED

# ADL5610



LAYOUT NOTES:  
 - SOLDER L3 PAD DIRECTLY TO TRACE.  
 - TXIN AND TXOUT ARE 50 OHM TRACES WITH EXPOSED GROUND FOR TUNING.

# ADL5521

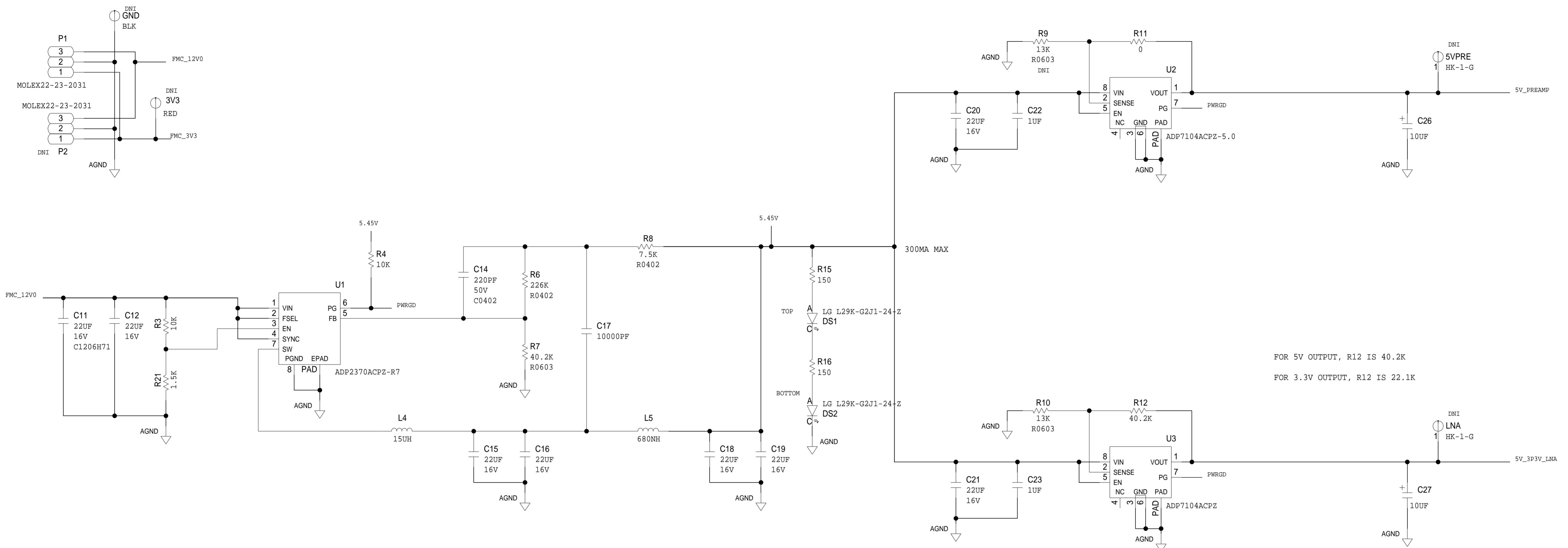


LAYOUT NOTES:  
 - C3 AND C4 ARE "SLIDERS" FOR TUNING.  
 - OPTIMUM TUNING DEFAULT: 2.4GHZ.

	<b>SCHEMATIC</b>		
	HW TYPE :ADL5521/5610 EVALZ Product(s) : ADL5521 (LFCSP), ADL5610 (SOT-89) : FMC COMMS Booster Board		
	DESIGN VIEW FLAT:	DRAWING NO. 02_038228	REV B
	PTD ENGINEER B. KAMAKOTI	SIZE D	SCALE None
SHEET 2		OF 3	

# POWER SUPPLY

REVISIONS			
REV	DESCRIPTION	DATE	APPROVED



FOR 5V OUTPUT, R12 IS 40.2K  
 FOR 3.3V OUTPUT, R12 IS 22.1K

	<b>SCHEMATIC</b>		
	HW TYPE :ADL5521/5610 EVALZ Product(s): ADL5521 (LFCSP), ADL5610 (SOT-89) : FMC COMMS Booster Board		
DESIGN VIEW FLAT:	DRAWING NO. 02_038228	REV B	SHEET 3 OF 3
PTD ENGINEER B. KAMAKOTI	SIZE D	SCALE None	SHEET 3 OF 3