

THIS DRAWING IS THE PROPERTY OF ANALOG DEVICES INC. IT IS NOT TO BE REPRODUCED OR COPIED, IN WHOLE OR IN PART, OR USED IN FURNISHING INFORMATION TO OTHERS, OR FOR ANY OTHER PURPOSE DETRIMENTAL TO THE INTERESTS OF ANALOG DEVICES. THE EQUIPMENT SHOWN HEREON MAY BE PROTECTED BY PATENTS OWNED OR CONTROLLED BY ANALOG DEVICES.

RELAY CONTROL CHART


CONTROL	CODE	DEVICE	FUNCTION	CONNECTOR

JUMPER TABLE		
JP#	ON	OFF
1		
2		
3		
4		
5		

* SEE ASSEMBLY INSTRUCTIONS

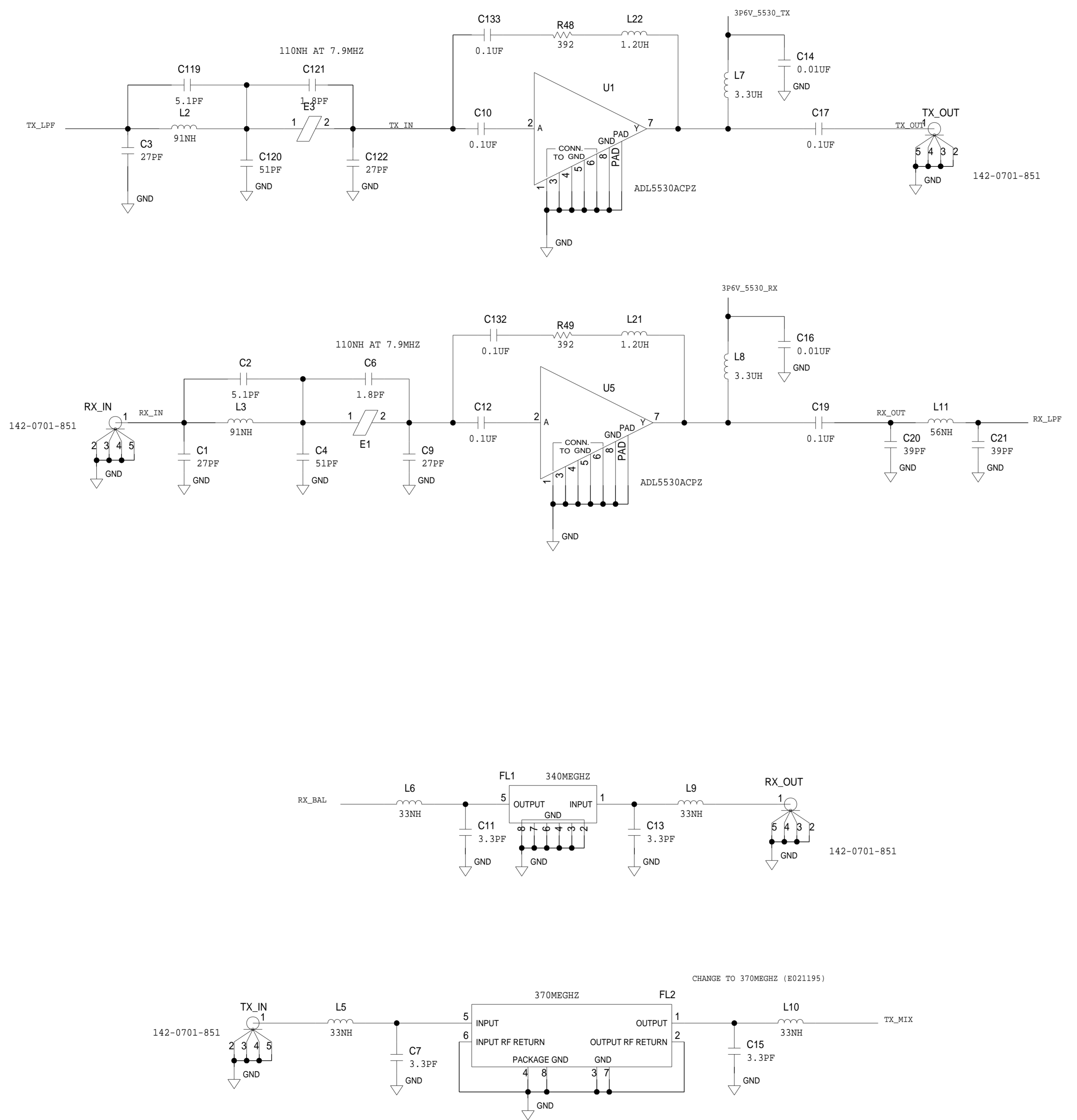
REVISIONS			
REV	DESCRIPTION	DATE	APPROVED
A	ORIGINATION NHR-039016	AUG-2014	C. EL-KHOURY
B	AS PER ECR-048390	OCT-2014	C. EL-KHOURY
B-1	AS PER ECR-052806	APR-2015	C. EL-KHOURY
C	AS PER ECR-054672	JUL-2015	C. EL-KHOURY

P.O SPEC.	BK/BD SPEC.	SOCKET OEM	OEM PART#	HANDLER

TEMPLATE ENGINEER gio	DATE AUG-2014	<h1>SCHEMATIC</h1> 				
HARDWARE SERVICES R. MACDONALD	AUG-2014		HW TYPE : Customer Evaluation			
HARDWARE SYSTEMS J. KEANE	AUG-2014		Product(s) : AD8342			
TEST ENGINEER NA	NA		: ADF4351			
COMPONENT ENGINEER G. CELEDONIO	AUG-2014		PACKAGE : PinCount-lead N/A Package-family			
TEST PROCESS NA	NA		: Pitch-pitch StyleVendor Style			
HARDWARE RELEASE R. AMARILLE	AUG-2014					
DESIGNER gio	AUG-2014		MASTER PROJECT TEMPLATE TBD	TESTER TEMPLATE no_template	DRAWING NO. 02_038631	REV. C
PTD ENGINEER C. EL-KHOURY	AUG-2014	<small>UNLESS OTHERWISE SPECIFIED DIMENSIONS ARE IN INCHES</small> TOLERANCES DECIMALS FRACTIONS ANGLES X.XX +0.010 +1/32 +2 X.XXX +0.005			SIZE D SCALE 1:1 CODE ID NO. CodeID	SHEET 1 OF 6
CHECKER C. EL-KHOURY	AUG-2014					

INPUT / OUTPUT

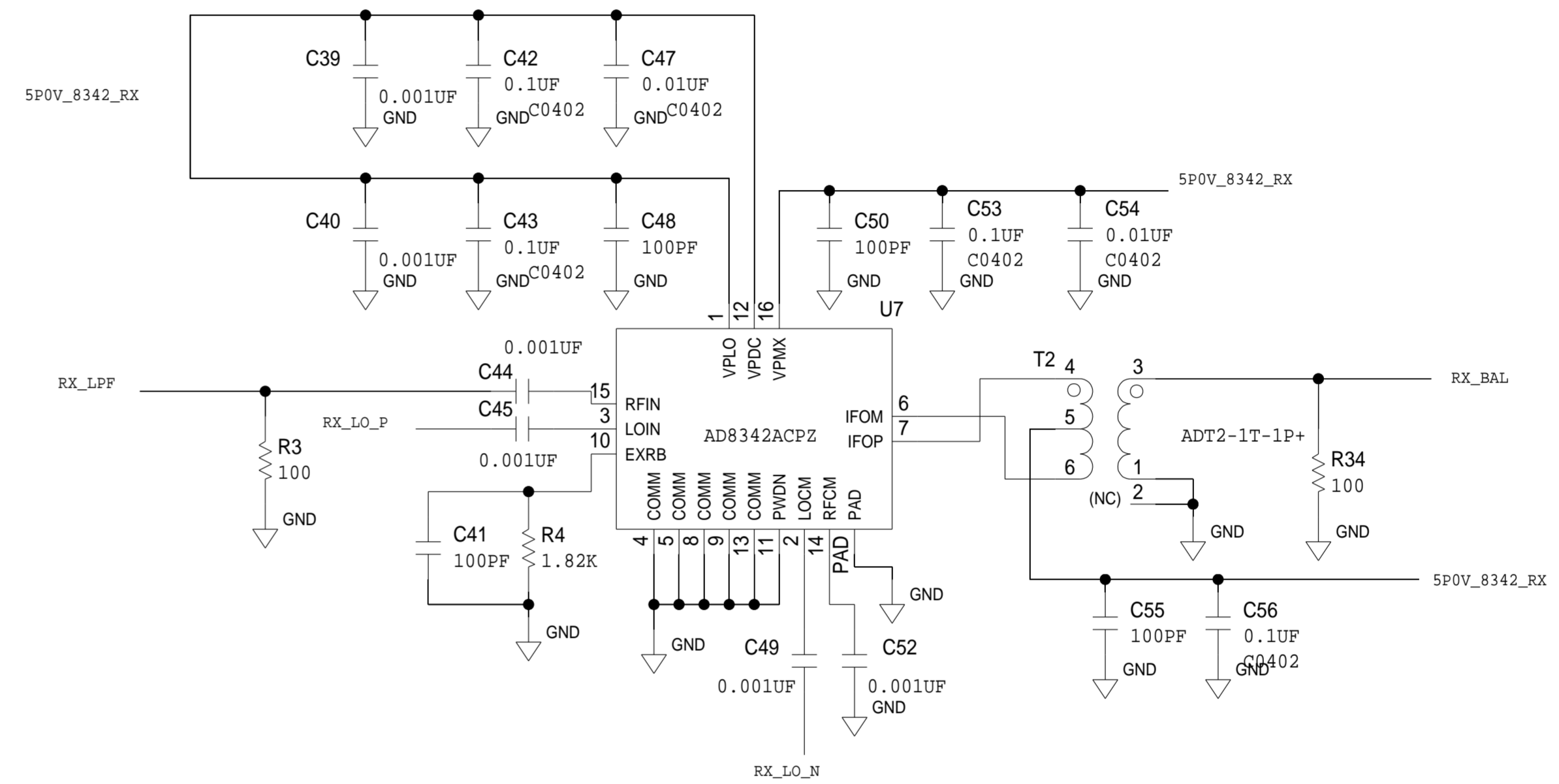
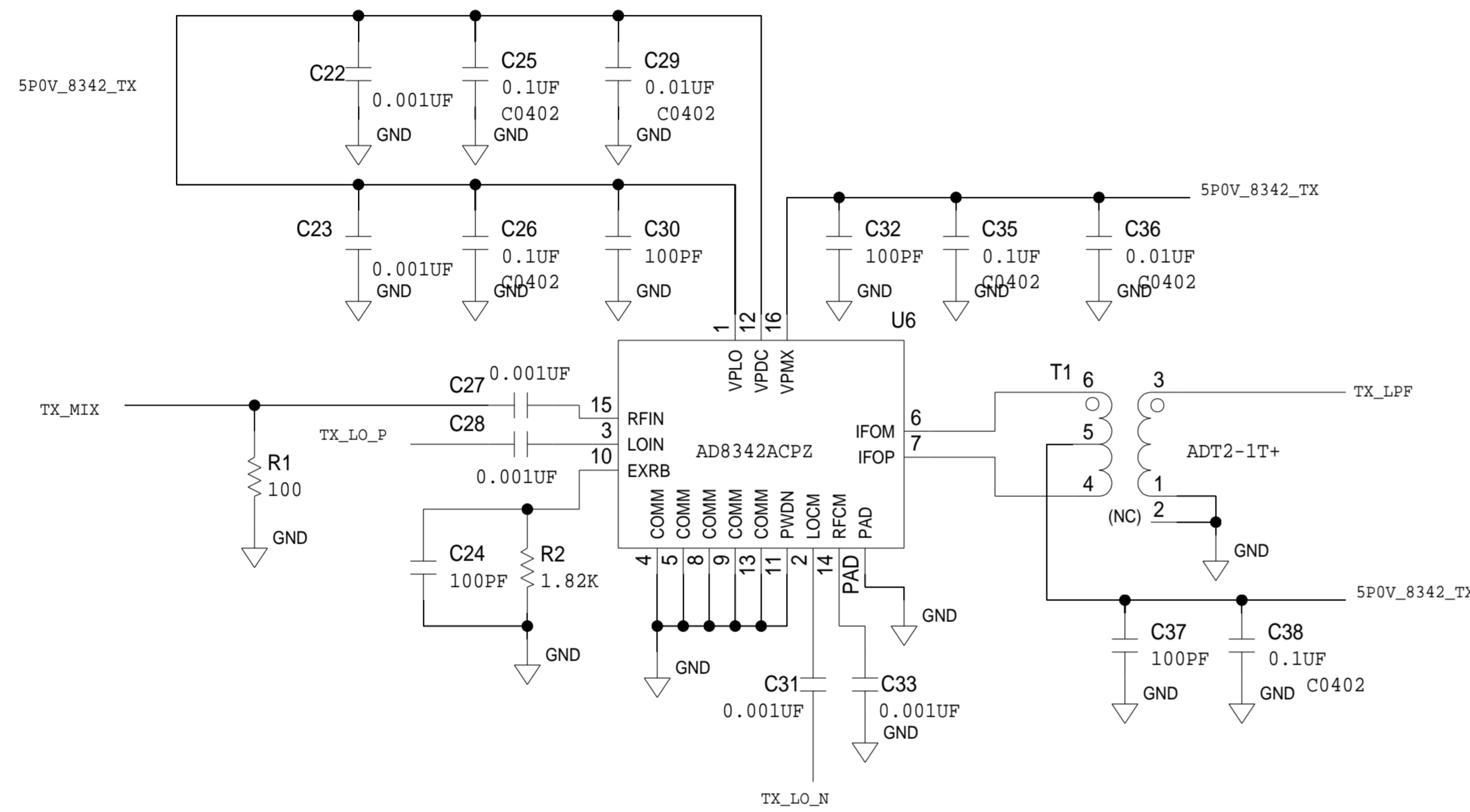
REVISIONS			
REV	DESCRIPTION	DATE	APPROVED



	SCHEMATIC		
	HW TYPE : Customer Evaluation Product(s) : AD8342 : ADF4351		
	DESIGN VIEW <DESIGN_VIEW>	DRAWING NO. 02_038631	REV C
	PTD ENGINEER C. EL-KHOURY	SIZE D	SCALE 1:1
		SHEET 2 OF 6	

MIXER - AD8342

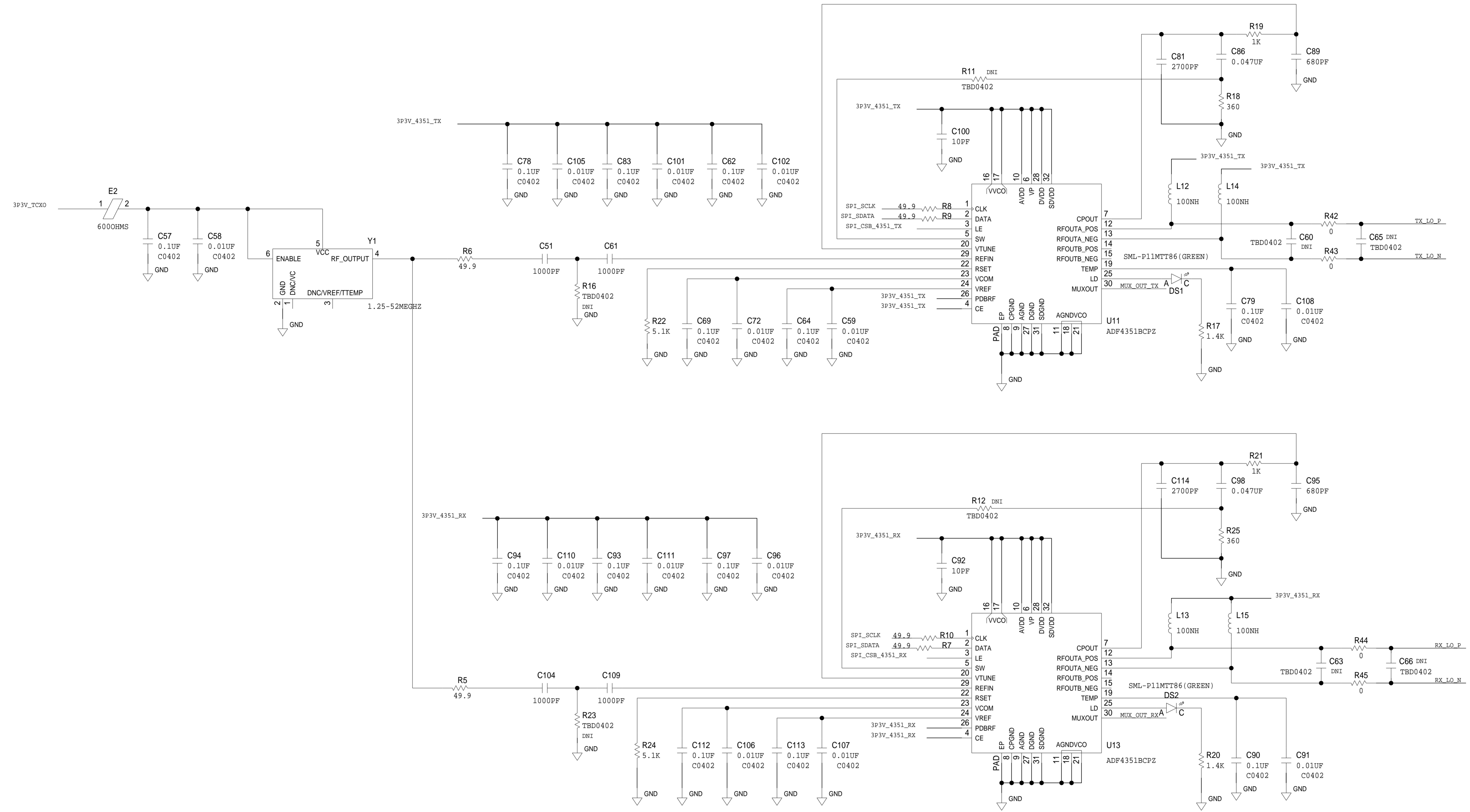
REVISIONS			
REV	DESCRIPTION	DATE	APPROVED



	SCHEMATIC		
	HW TYPE : Customer Evaluation Product(s) : AD8342 : ADF4351		
	DESIGN VIEW <DESIGN_VIEW>	DRAWING NO. 02_038631	REV C
	PTD ENGINEER C. EL-KHOURY	SIZE D	SCALE 1:1
		SHEET 3 OF 6	

LO GENERATION - ADF4351

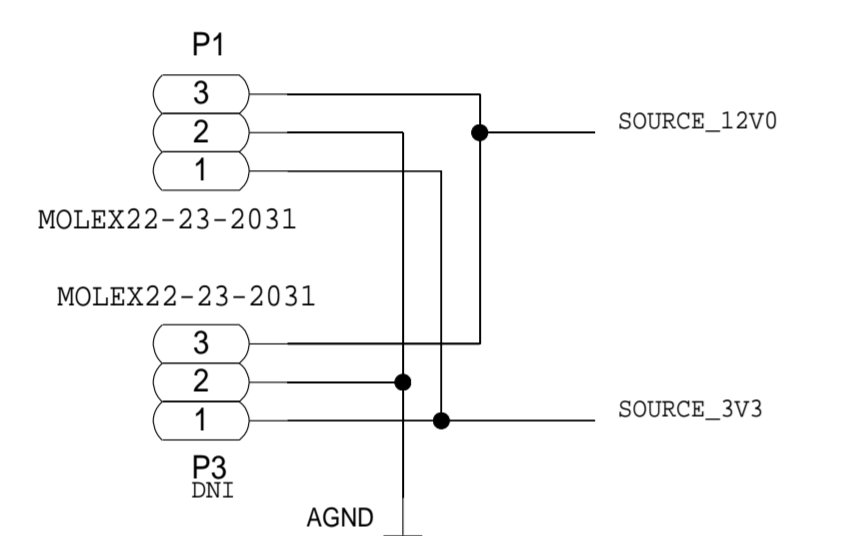
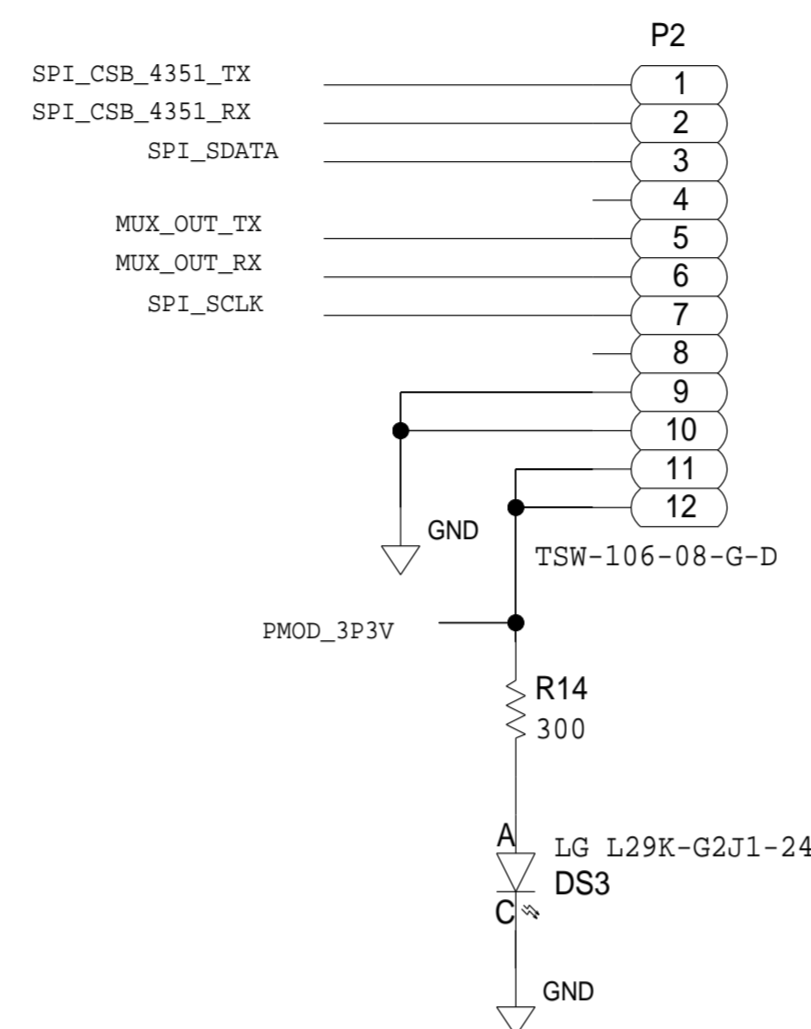
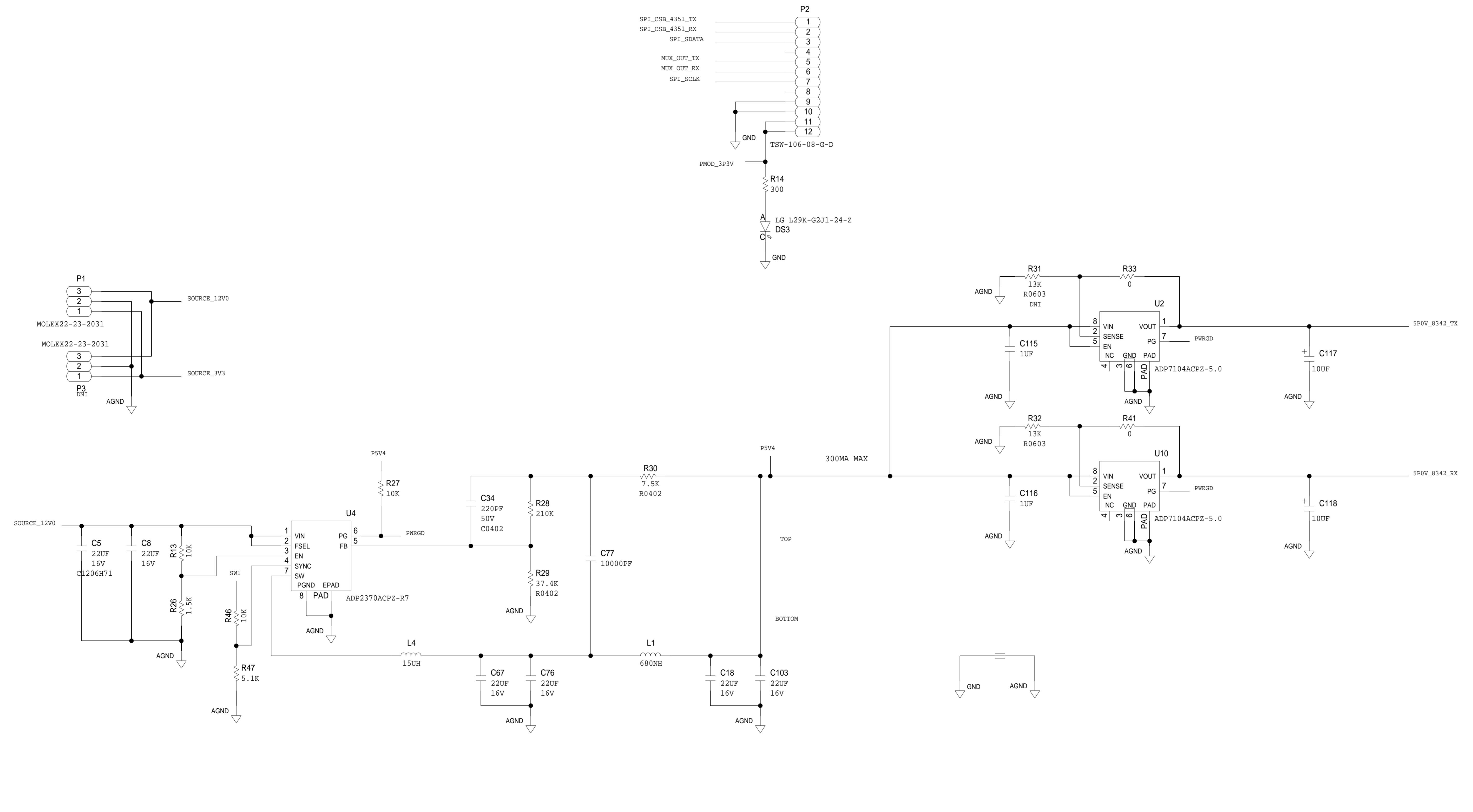
REVISIONS			
REV	DESCRIPTION	DATE	APPROVED



	SCHEMATIC		
	HW TYPE : Customer Evaluation Product(s) : AD8342 : ADF4351		
	DESIGN VIEW <DESIGN_VIEW>	DRAWING NO. 02_038631	REV C
	PTD ENGINEER C. EL-KHOURY	SIZE D	SCALE 1:1
		SHEET 4 OF 6	

POWER SUPPLY

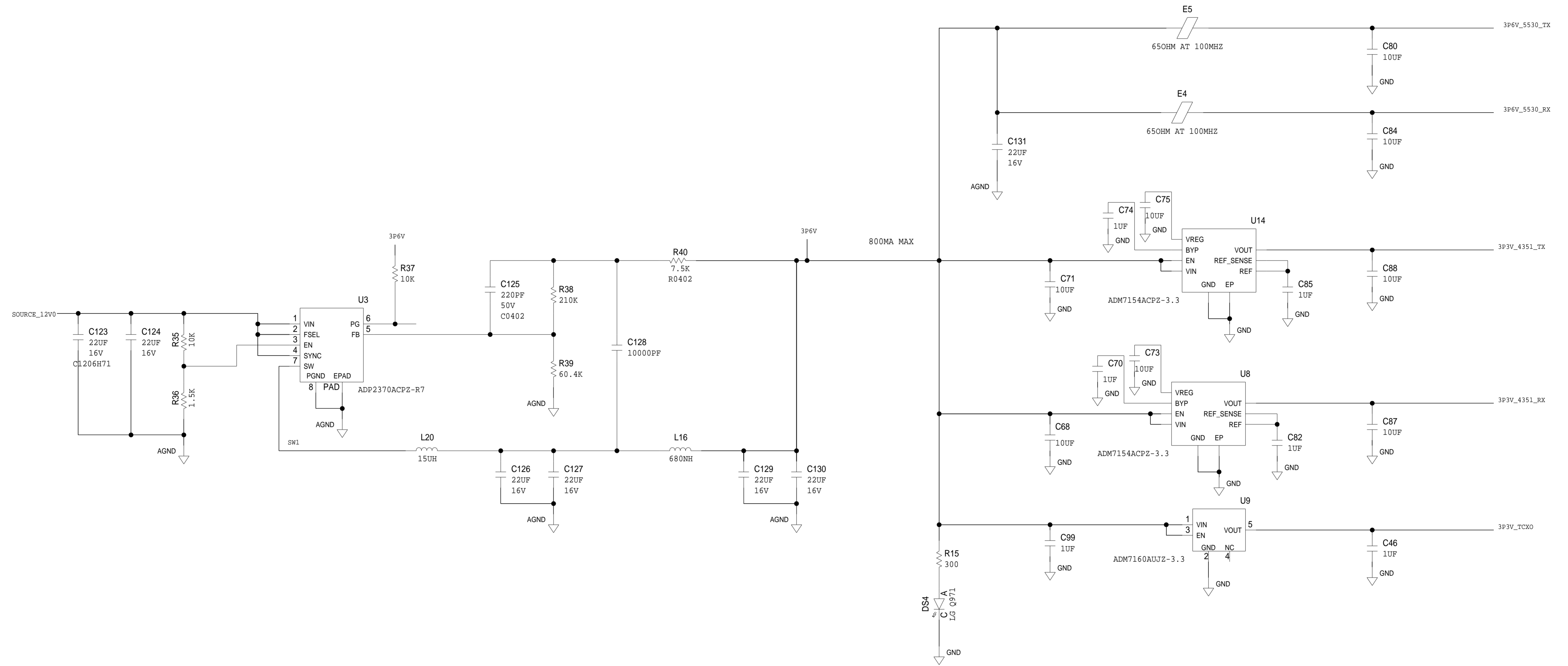
REVISIONS			
REV	DESCRIPTION	DATE	APPROVED



	SCHEMATIC		
	HW TYPE : Customer Evaluation Product(s) : AD8342 : ADF4351		
DESIGN VIEW <DESIGN_VIEW>	DRAWING NO. 02_038631	REV C	
PTD ENGINEER C. EL-KHOURY	SIZE D	SCALE 1:1	SHEET 5 OF 6

POWER SUPPLY

REVISIONS			
REV	DESCRIPTION	DATE	APPROVED



	SCHEMATIC		
	HW TYPE : Customer Evaluation Product(s) : AD8342 : ADF4351		
DESIGN VIEW <DESIGN_VIEW>	DRAWING NO. 02_038631	REV C	
PTD ENGINEER C. EL-KHOURY	SIZE D	SCALE 1:1	SHEET 6 OF 6