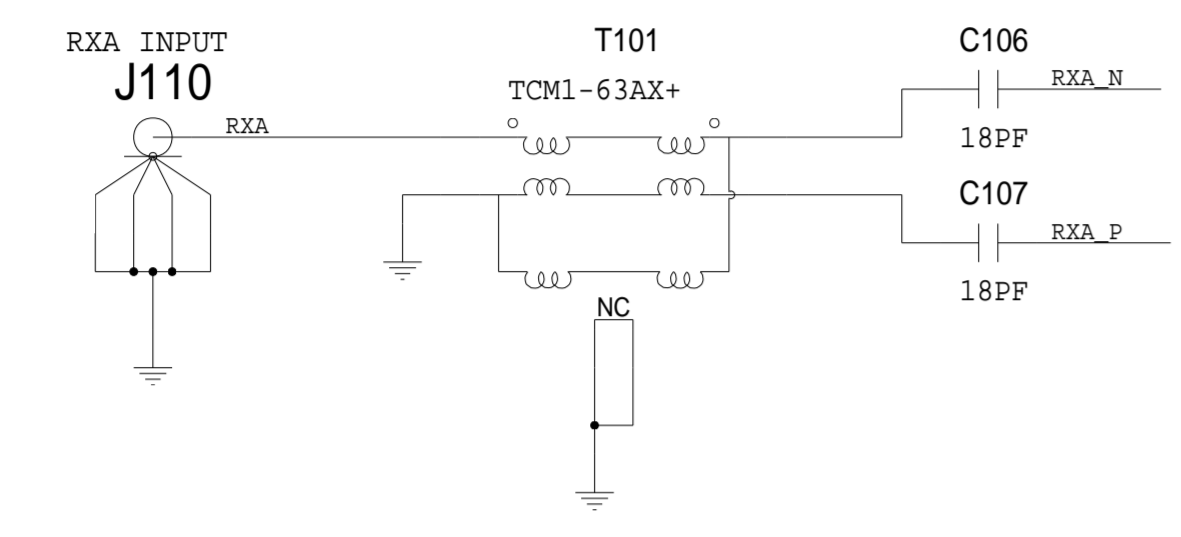


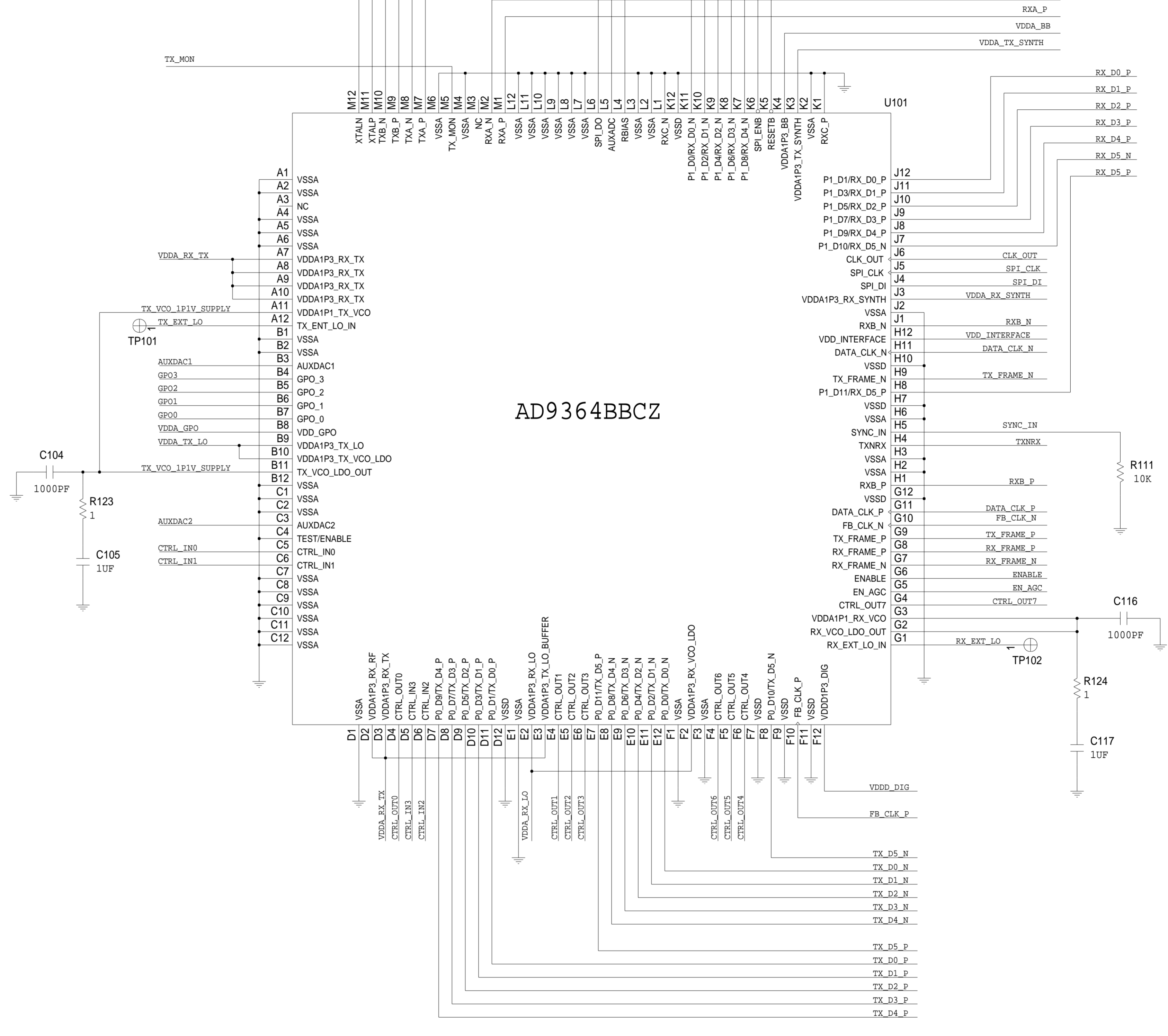
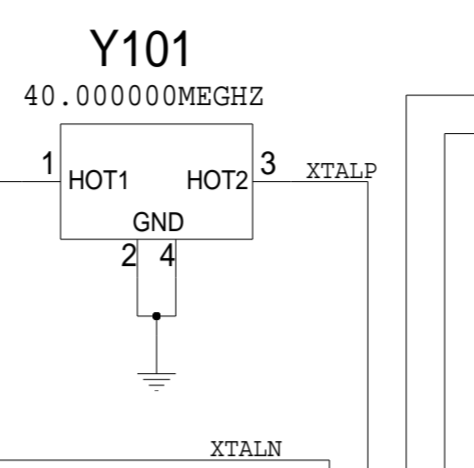
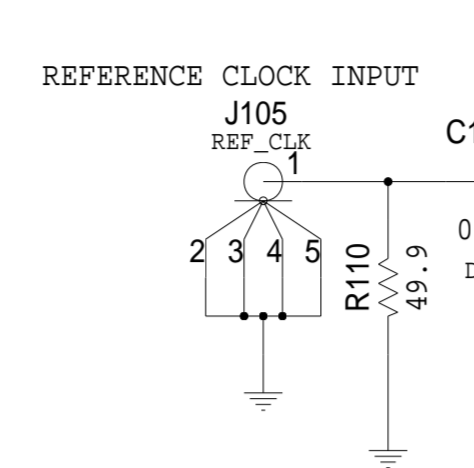
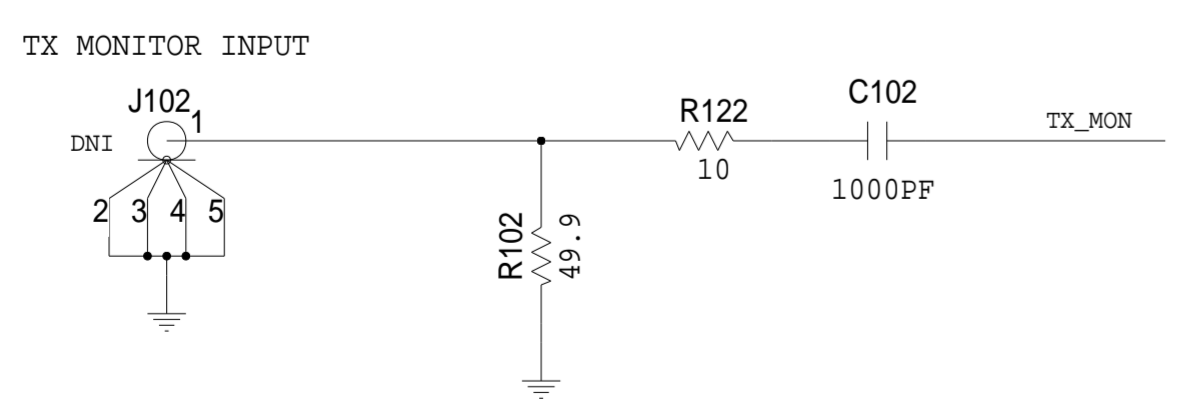
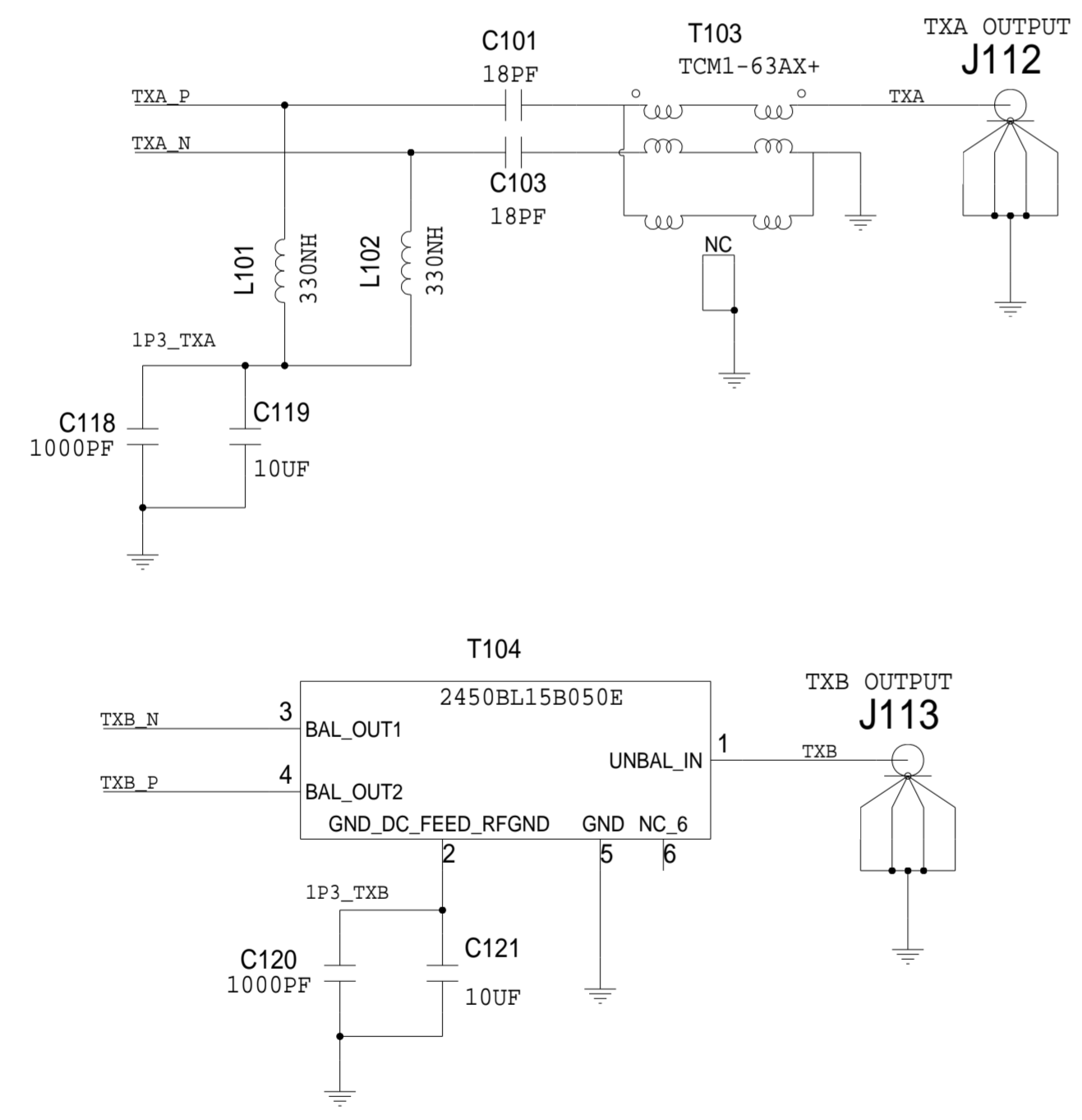
REVISIONS			
REV	DESCRIPTION	DATE	APPROVED

RXA AND TXA HAVE A LOSSY WIDEBAND MATCH
 RXB AND TXB ARE MATCHED TO 2.4GHZ
 FOR ADDITIONAL MATCHING INFORMATION REFER TO DOCUMENT PACKAGE

RX SMA CONNECTORS



TX SMA CONNECTORS



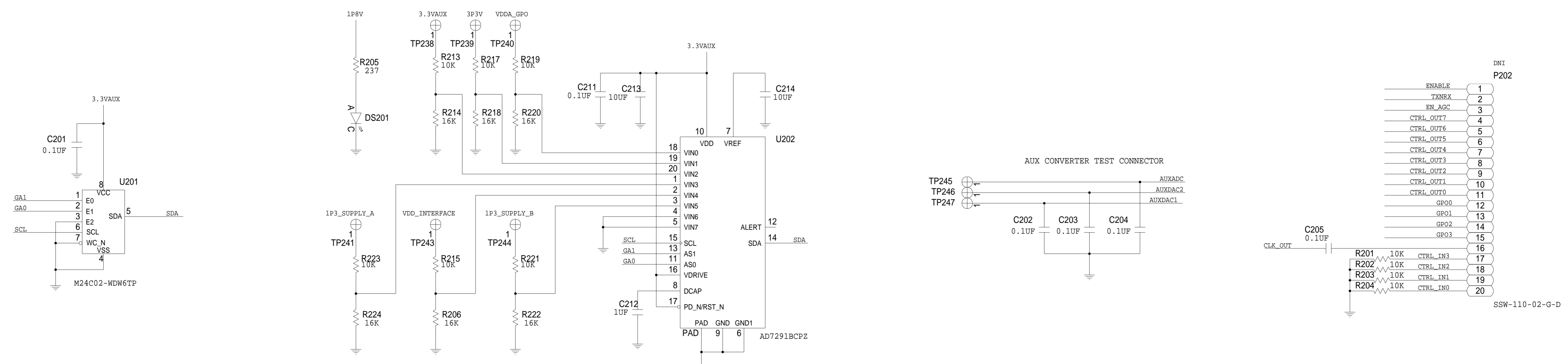
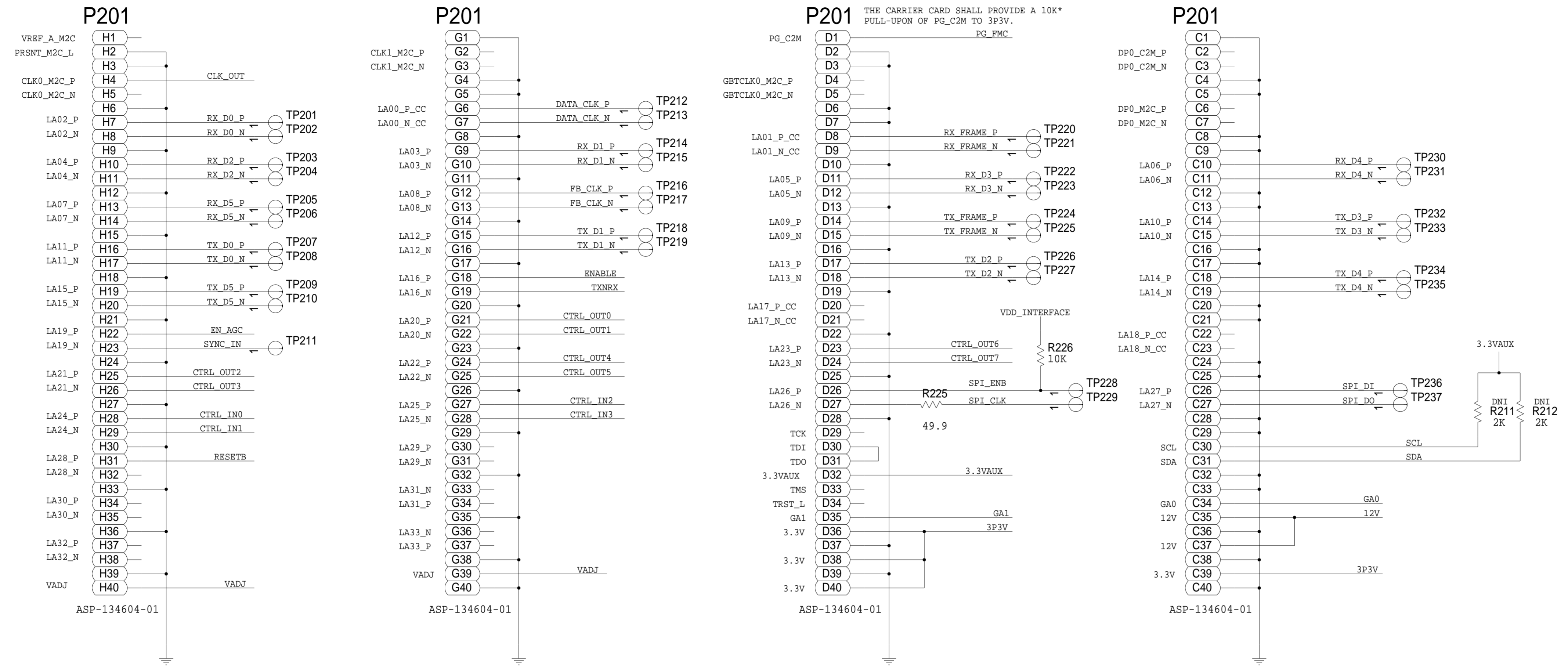
AD9364BBCZ

SCHEMATIC			
		HW TYPE : AD 9364 CUSTOMER FMC BOARD Product (s): ad9364	
DESIGN VIEW <DESIGN_VIEW>	DRAWING NO. 02_037516	REV B	
PTD ENGINEER <PTD_ENGINEER>	SIZE D	SCALE 1:1	SHEET 2 OF 4

THIS DRAWING IS THE PROPERTY OF ANALOG DEVICES INC. IT IS NOT TO BE REPRODUCED OR COPIED, IN WHOLE OR IN PART, OR USED IN ANY MANNER WITHOUT THE WRITTEN PERMISSION OF ANALOG DEVICES. THE EQUIPMENT DESIGN HEREON MAY BE PROTECTED BY PATENTS OWNED OR CONTROLLED BY ANALOG DEVICES.

REVISIONS			
REV	DESCRIPTION	DATE	APPROVED

FMC CONNECTOR



DNI P202

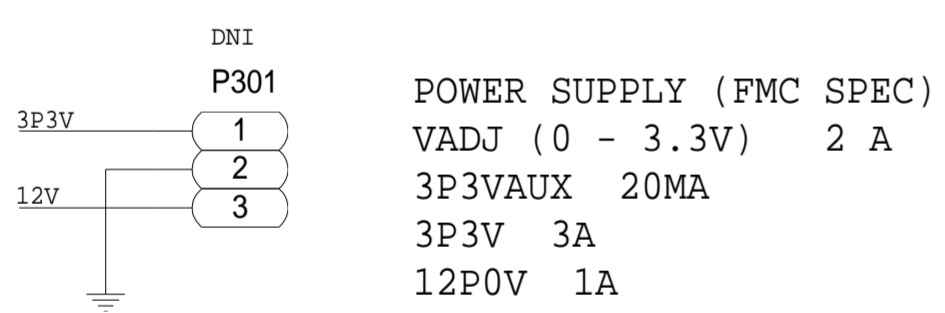
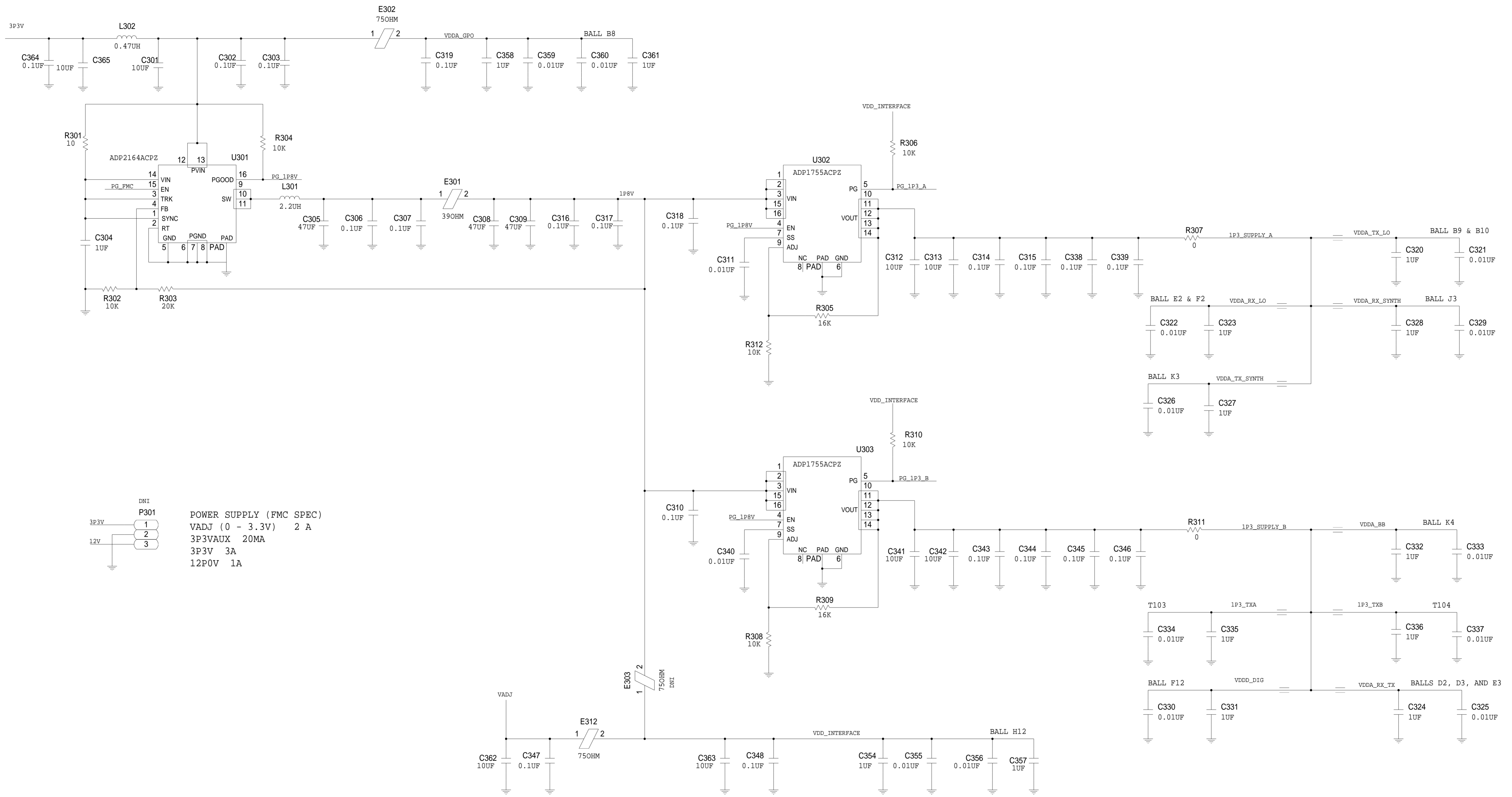
ENABLE	1
TXNRX	2
EN_AGC	3
CTRL_OUT7	4
CTRL_OUT5	5
CTRL_OUT6	6
CTRL_OUT4	7
CTRL_OUT3	8
CTRL_OUT2	9
CTRL_OUT1	10
CTRL_OUT0	11
GPO0	12
GPO1	13
GPO2	14
GPO3	15
CTRL_IN3	16
CTRL_IN2	17
CTRL_IN1	18
CTRL_IN0	19
	20

SSW-110-02-G-D

	SCHEMATIC		
	HW TYPE : AD 9364 CUSTOMER FMC BOARD Product (s) : ad9364		
DESIGN VIEW <DESIGN_VIEW>	DRAWING NO. 02_037516	REV B	
PTD ENGINEER <PTD_ENGINEER>	SIZE D	SCALE 1:1	SHEET 3 OF 4

POWER MANAGEMENT SECTION

REVISIONS			
REV	DESCRIPTION	DATE	APPROVED



	SCHEMATIC		
	HW TYPE : AD 9364 CUSTOMER FMC BOARD Product (s): ad9364		
DESIGN VIEW <DESIGN_VIEW>	DRAWING NO. 02_037516	REV B	
PTD ENGINEER <PTD_ENGINEER>	SIZE D 1:1	SCALE 1:1	SHEET 4 OF 4