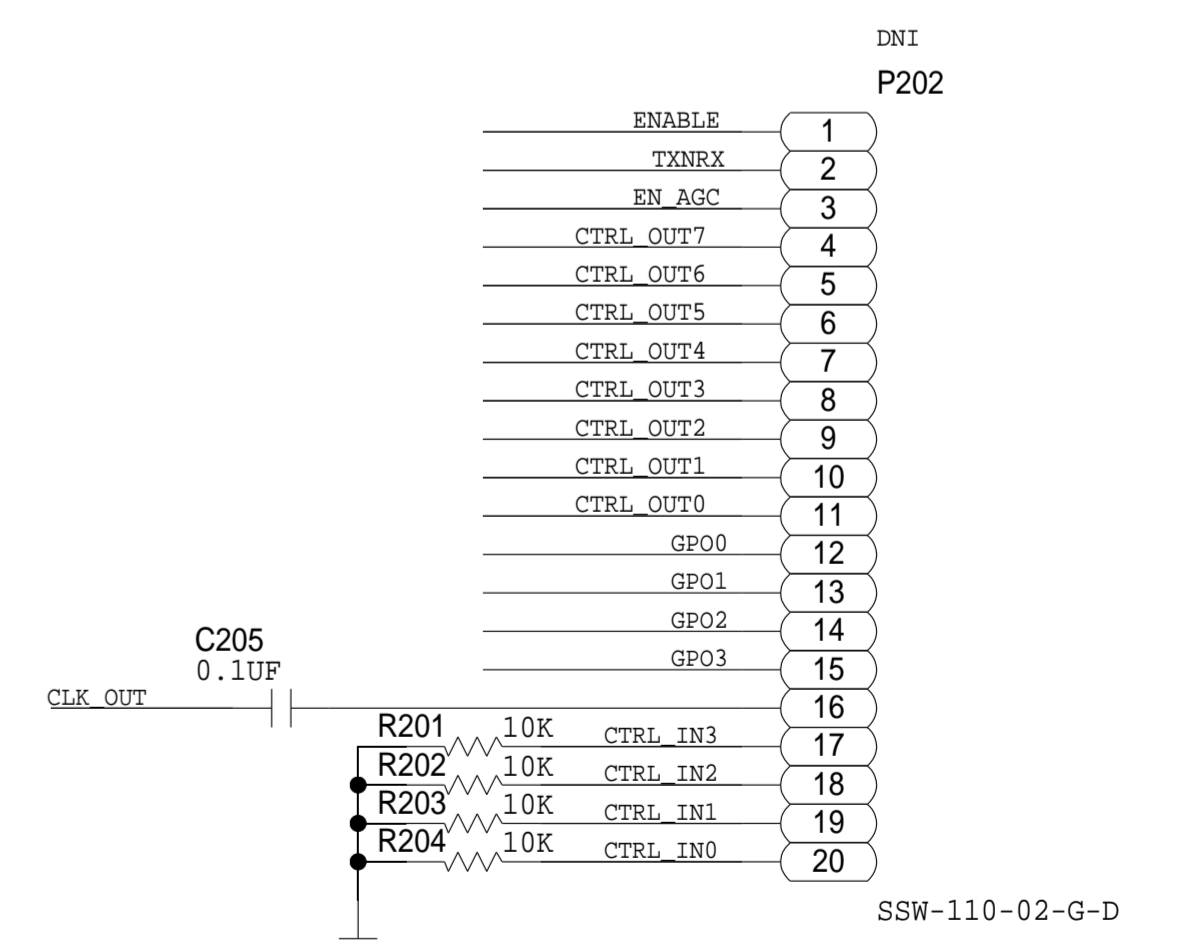
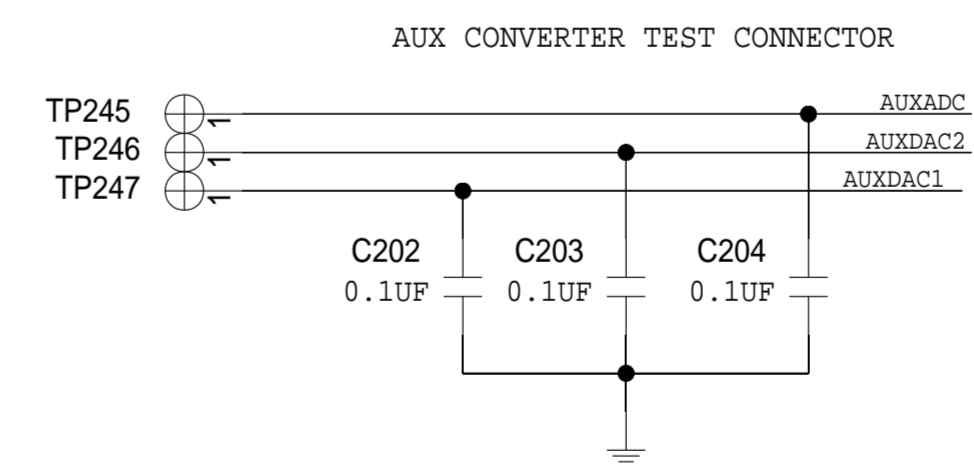
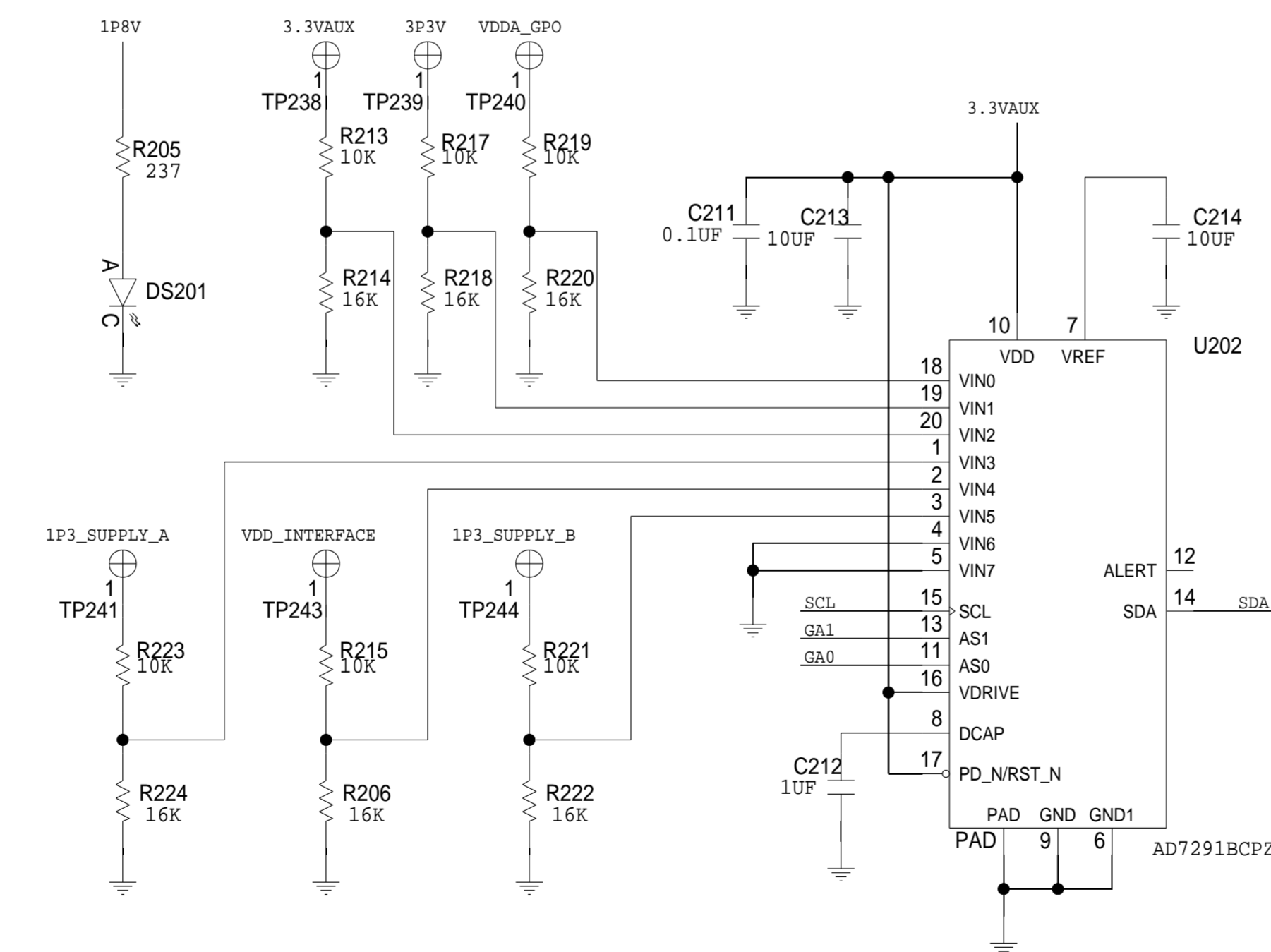
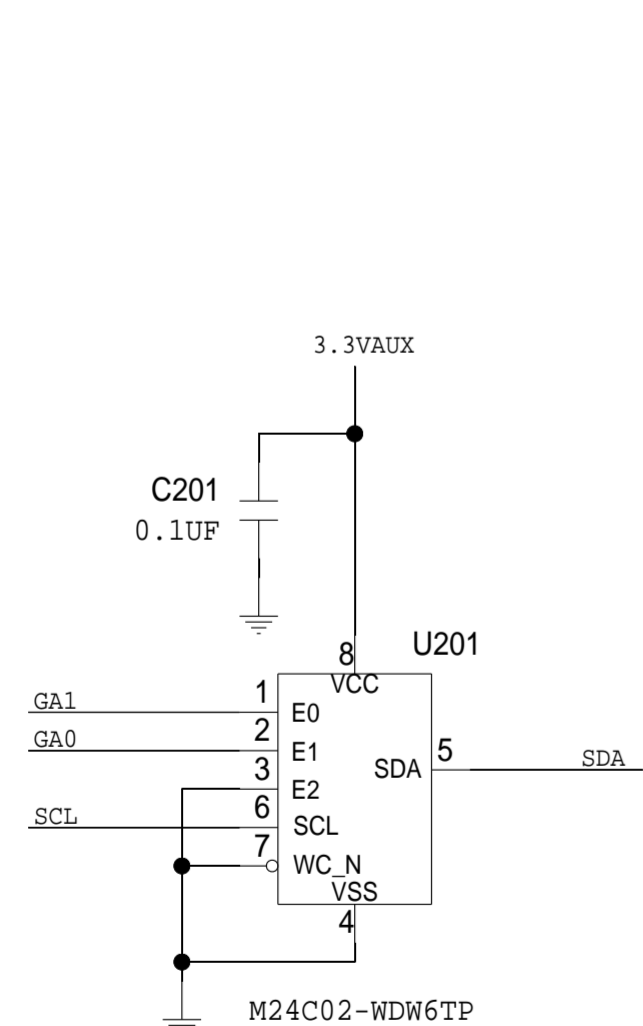
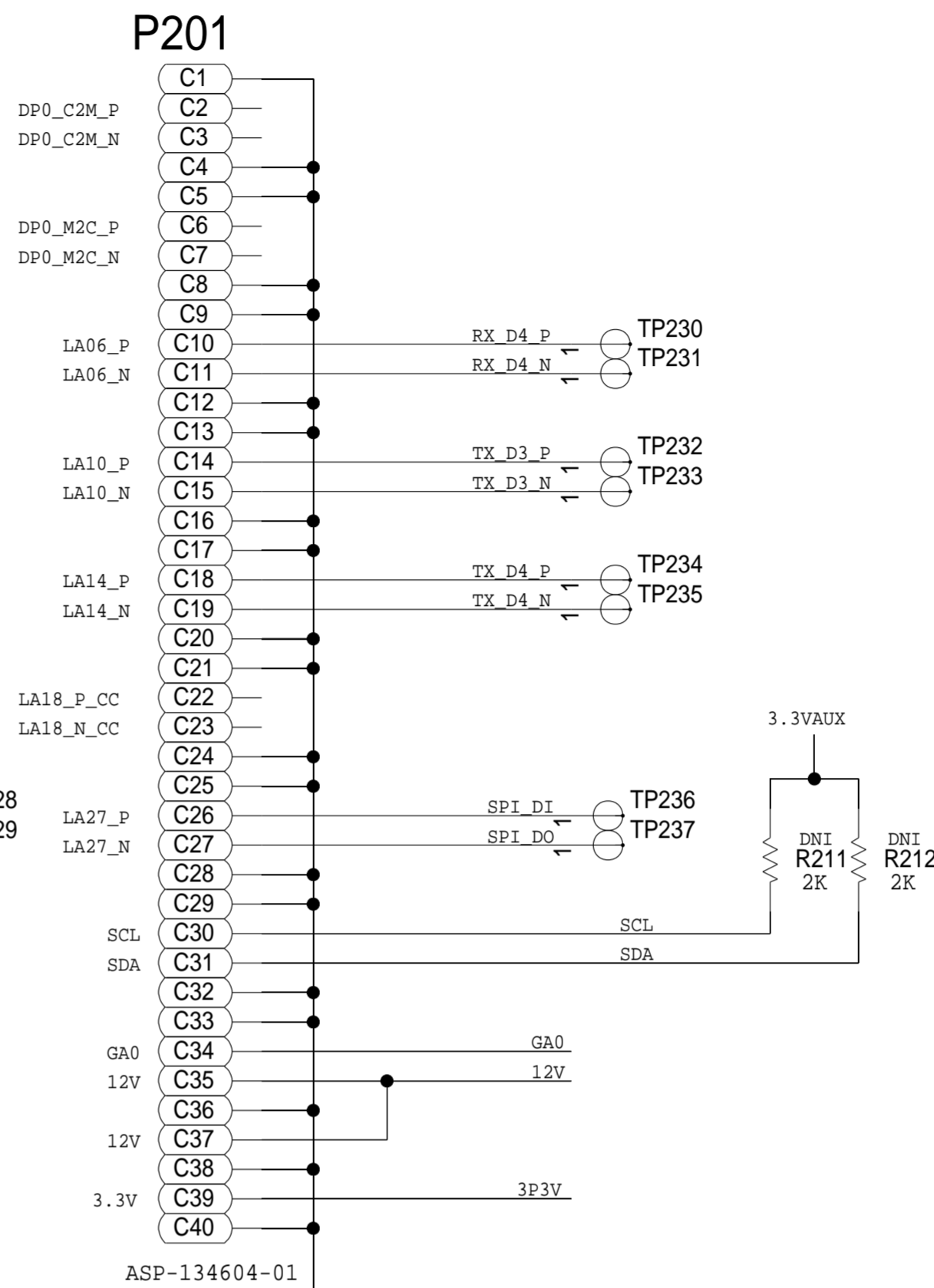
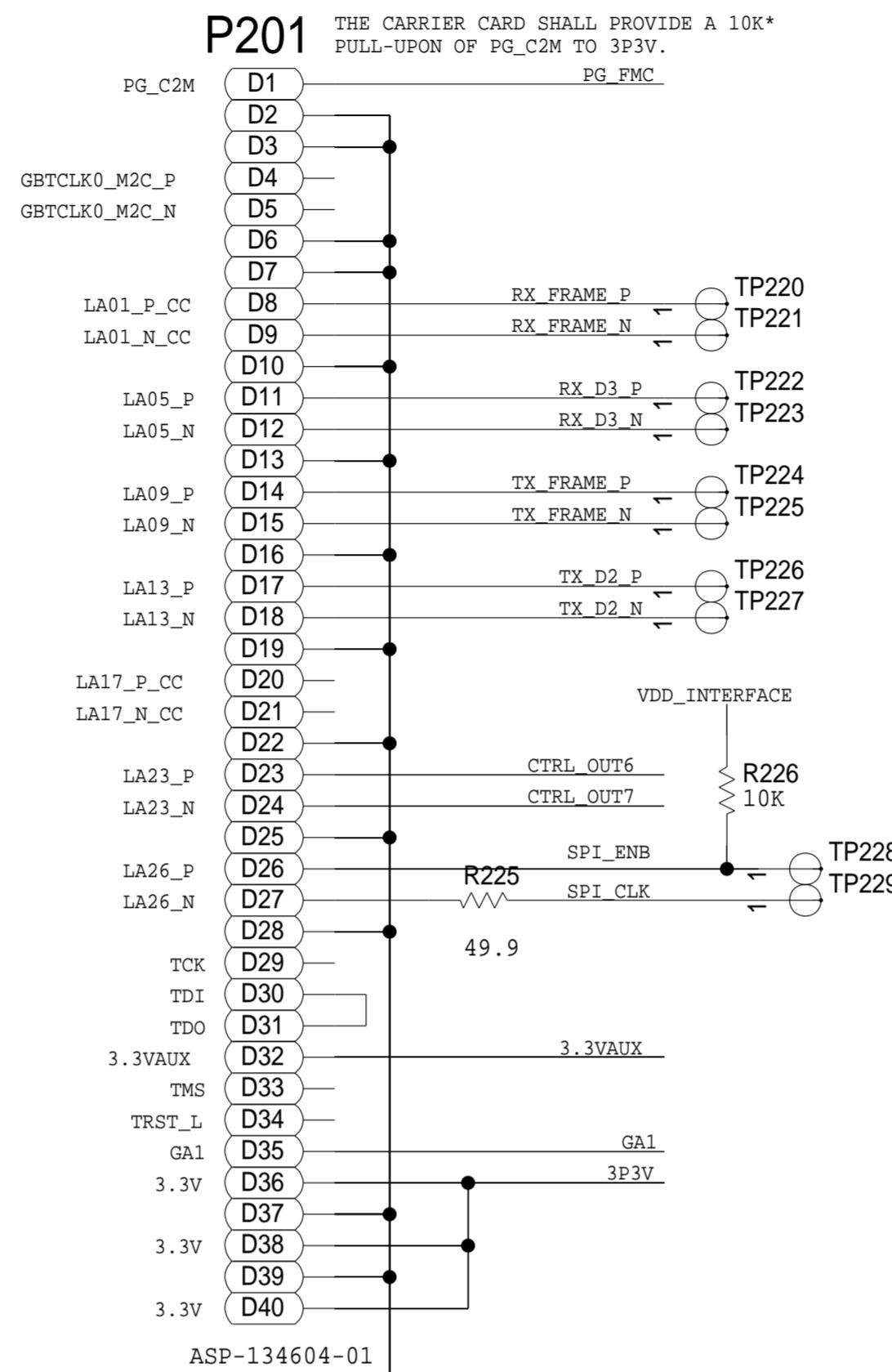
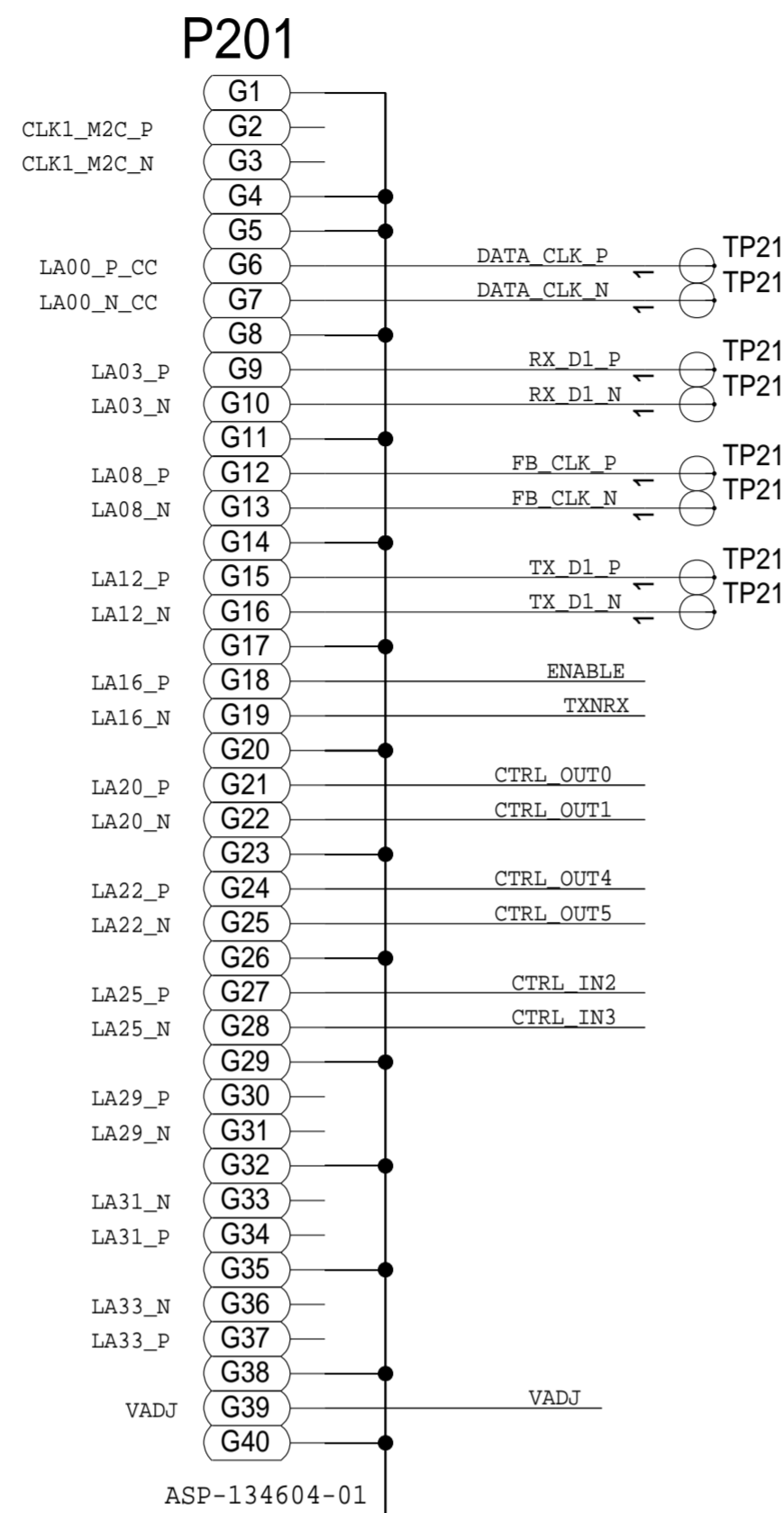
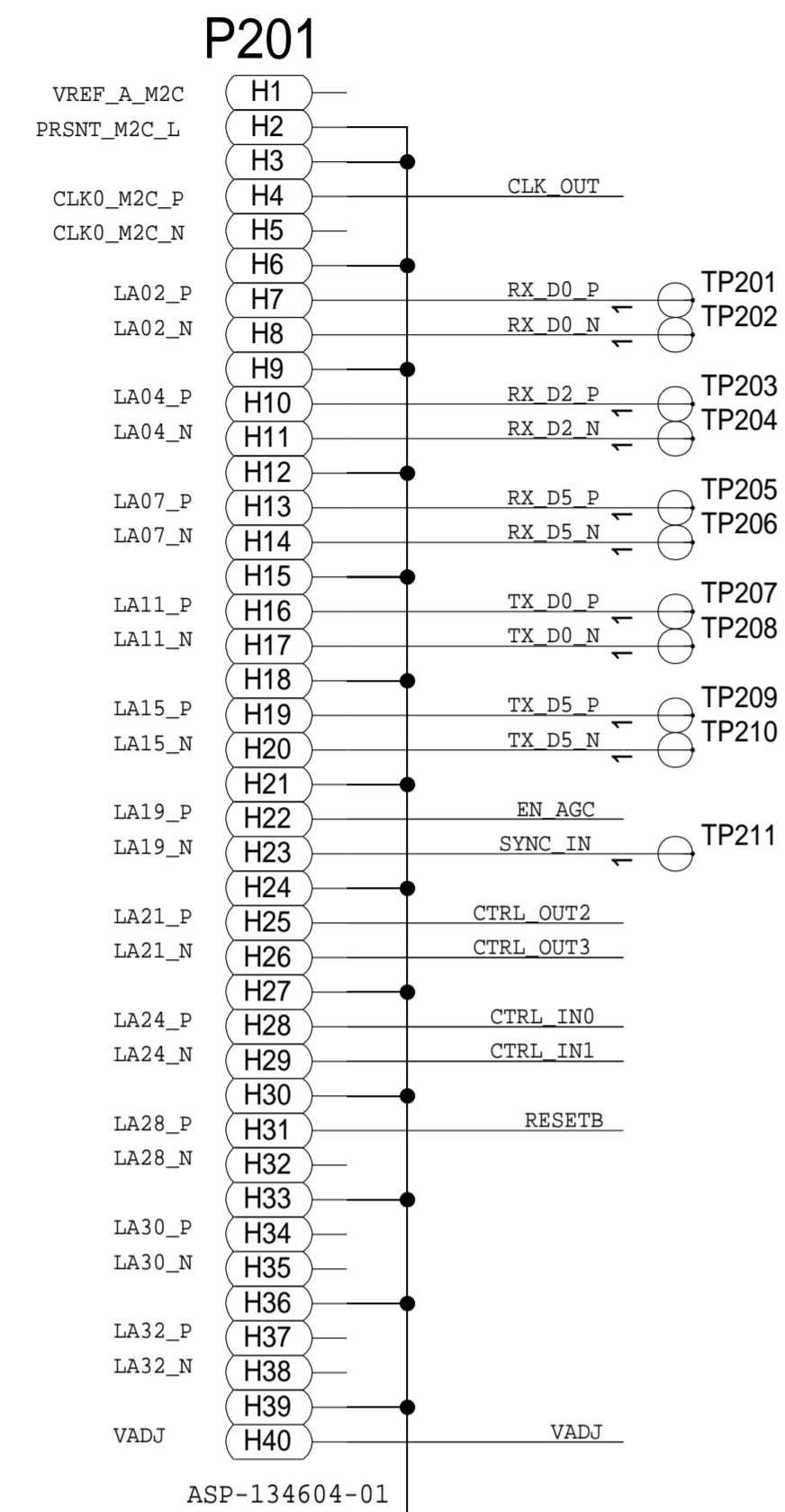






REVISIONS			
REV	DESCRIPTION	DATE	APPROVED

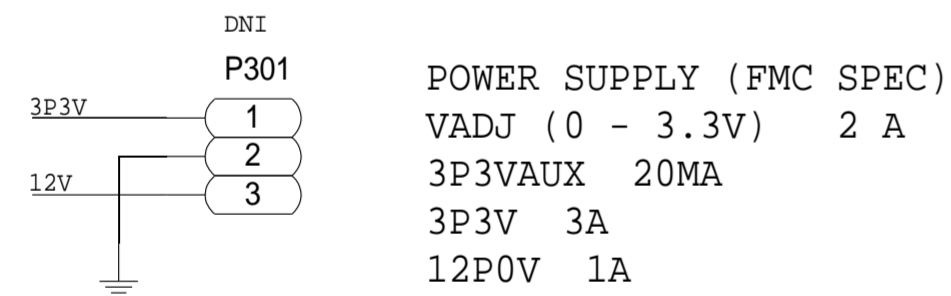
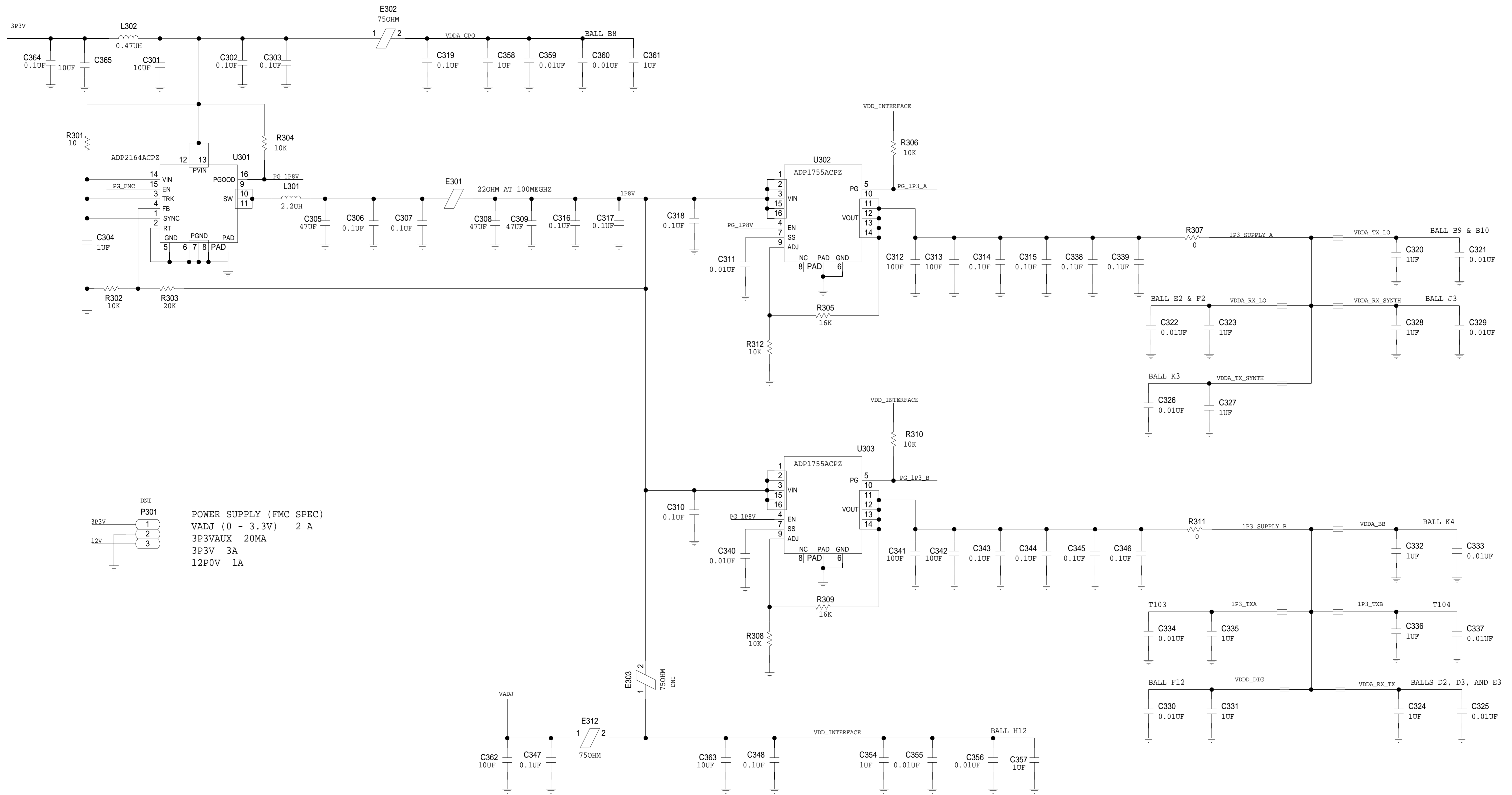
### FMC CONNECTOR



	<b>SCHEMATIC</b>		
	HW TYPE : AD 9364 CUSTOMER FMC BOARD		
	Product (s) : ad9364		
	DESIGN VIEW <DESIGN_VIEW>	DRAWING NO. 02_037516	REV C
PTD ENGINEER <PTD_ENGINEER>	SIZE D	SCALE 1:1	
		SHEET 3 OF 4	

# POWER MANAGEMENT SECTION

REVISIONS			
REV	DESCRIPTION	DATE	APPROVED



SCHEMATIC			
HW TYPE : AD 9364 CUSTOMER FMC BOARD Product (s): ad9364		DESIGN VIEW <DESIGN_VIEW>	
DRAWING NO. 02_037516		REV C	
PTD ENGINEER <PTD_ENGINEER>	SIZE D	SCALE 1:1	SHEET 4 OF 4