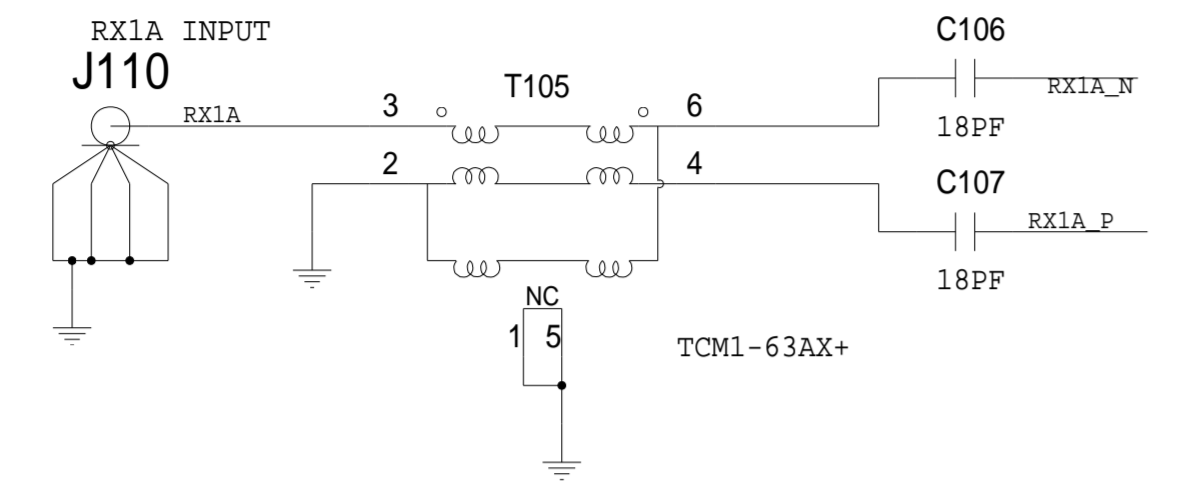


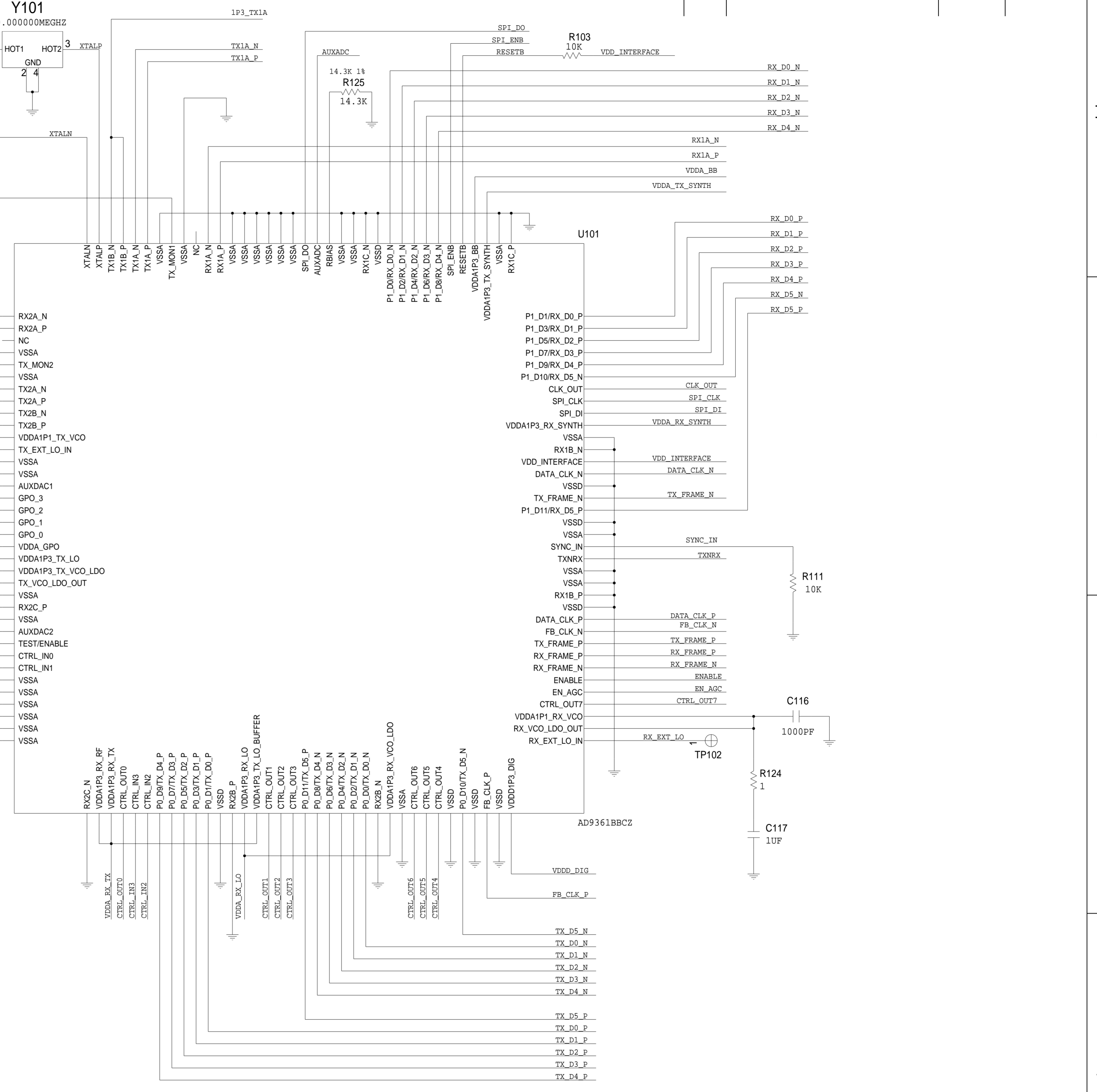
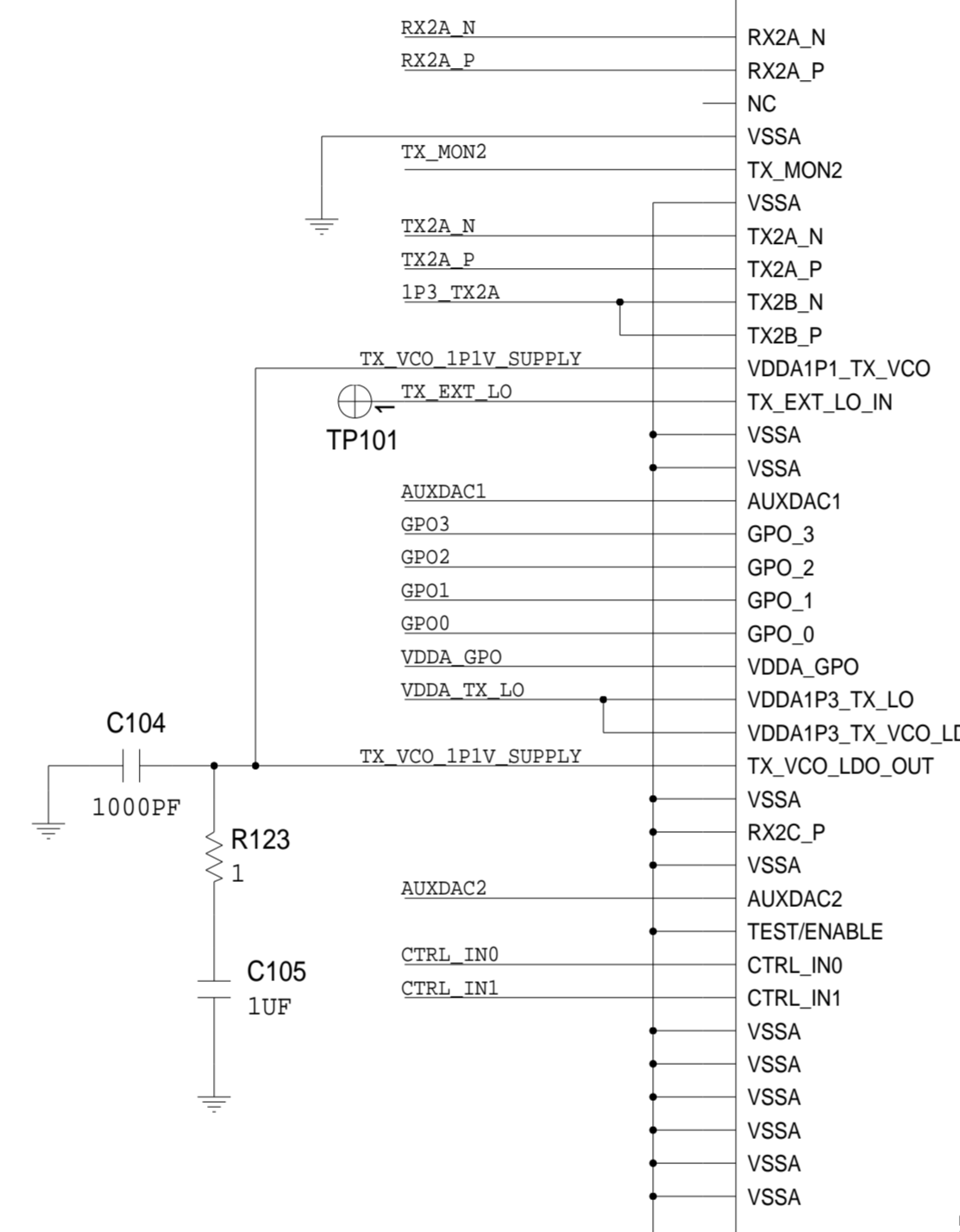
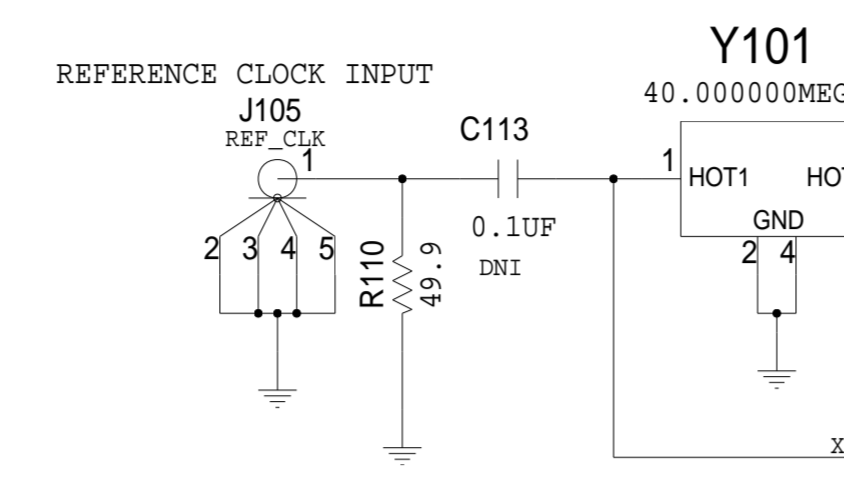
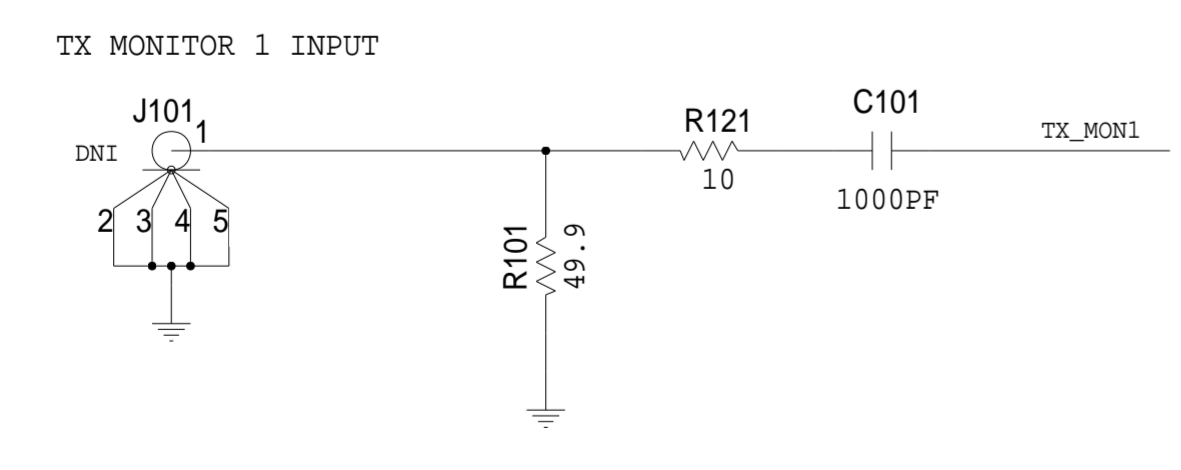
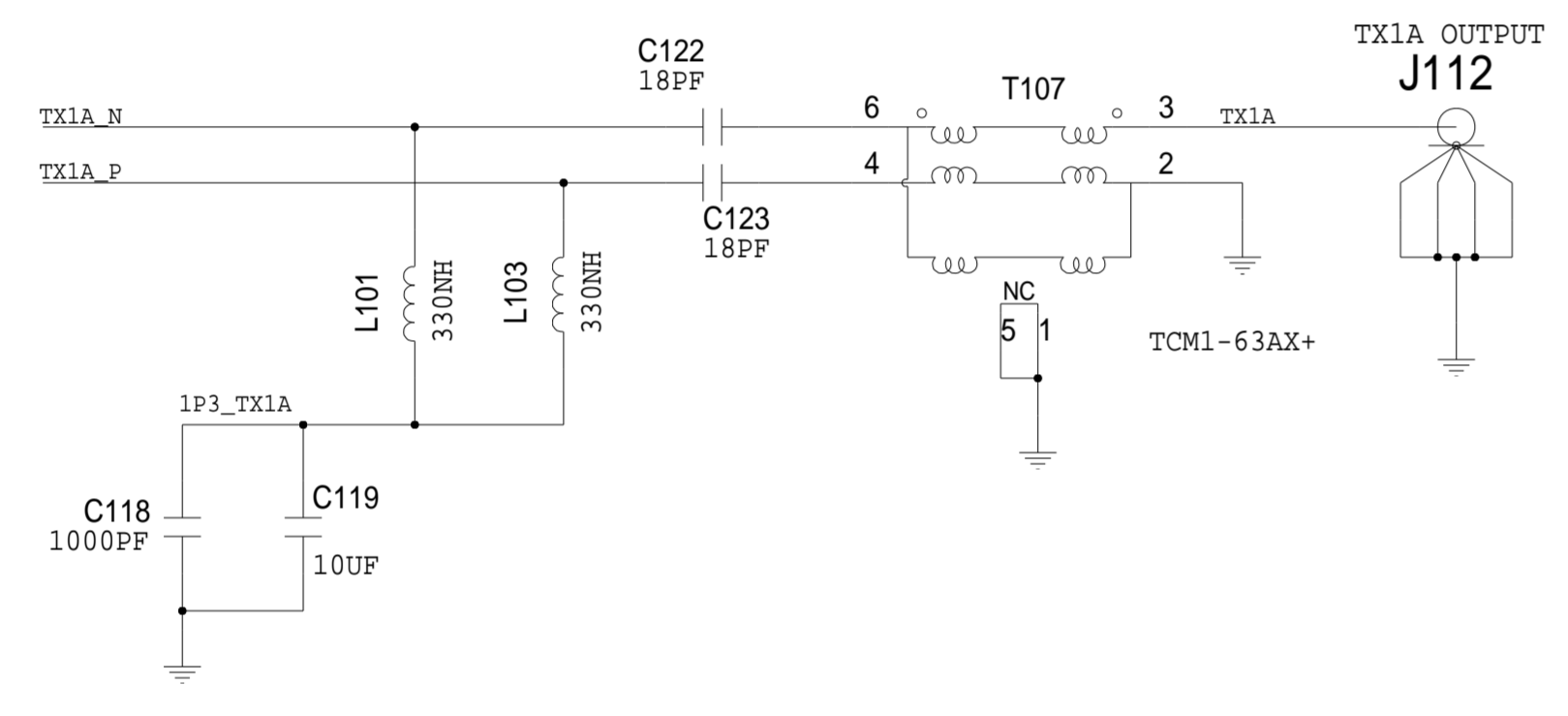


REVISIONS			
REV	DESCRIPTION	DATE	APPROVED

### RX SMA CONNECTORS



### TX SMA CONNECTORS



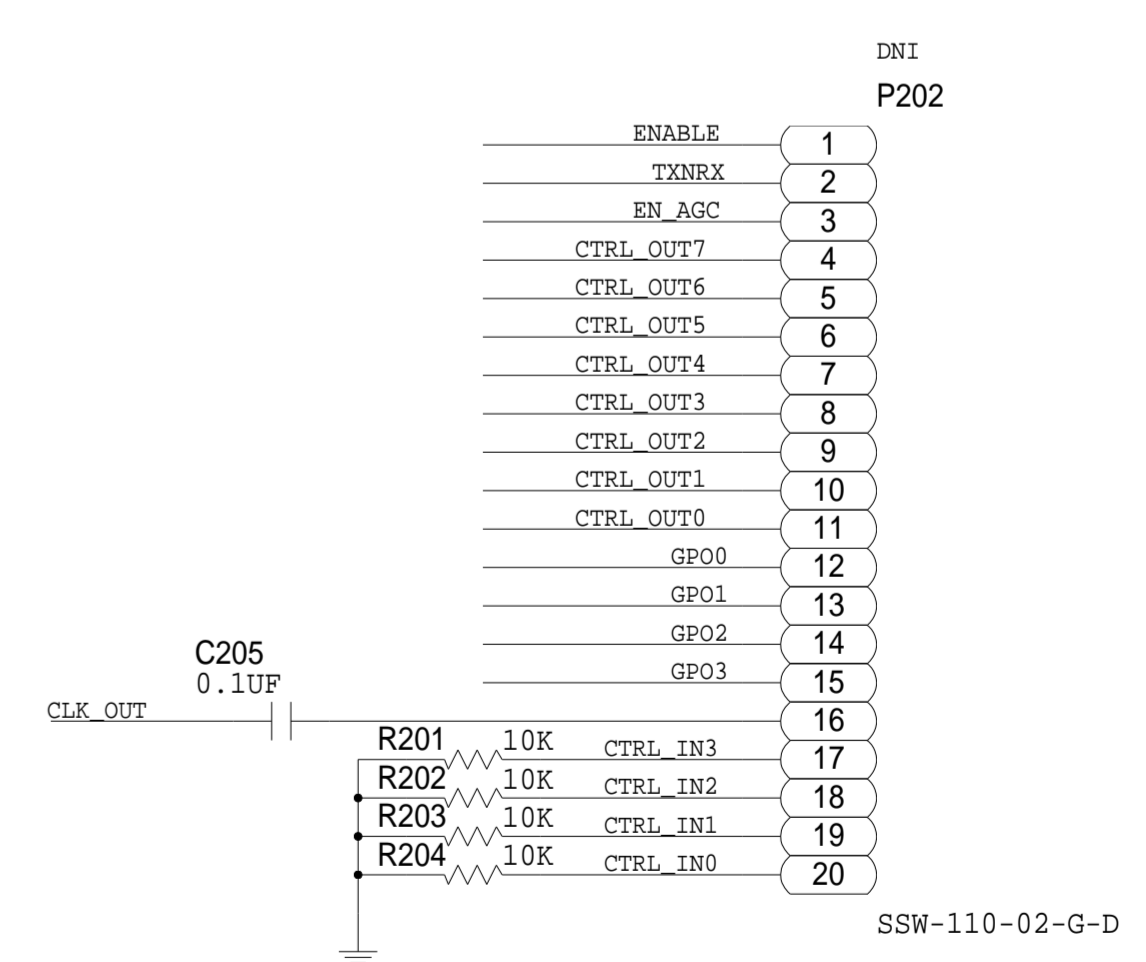
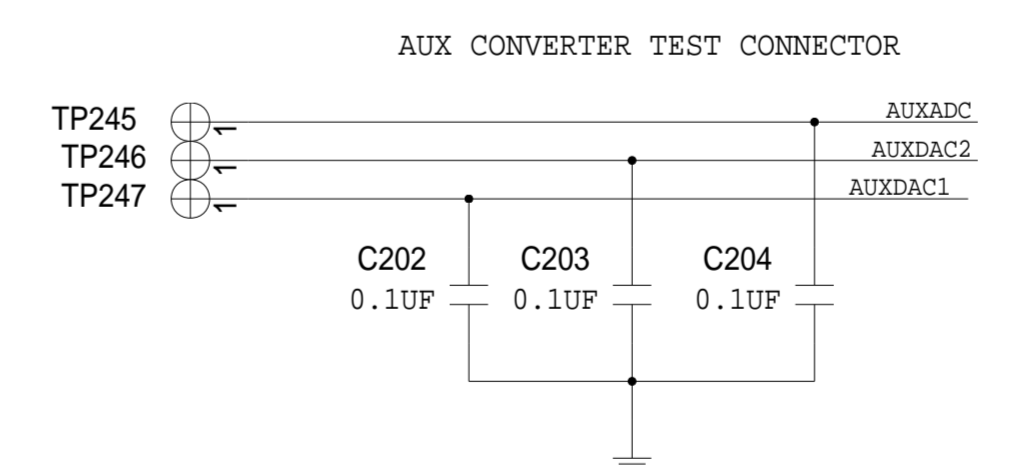
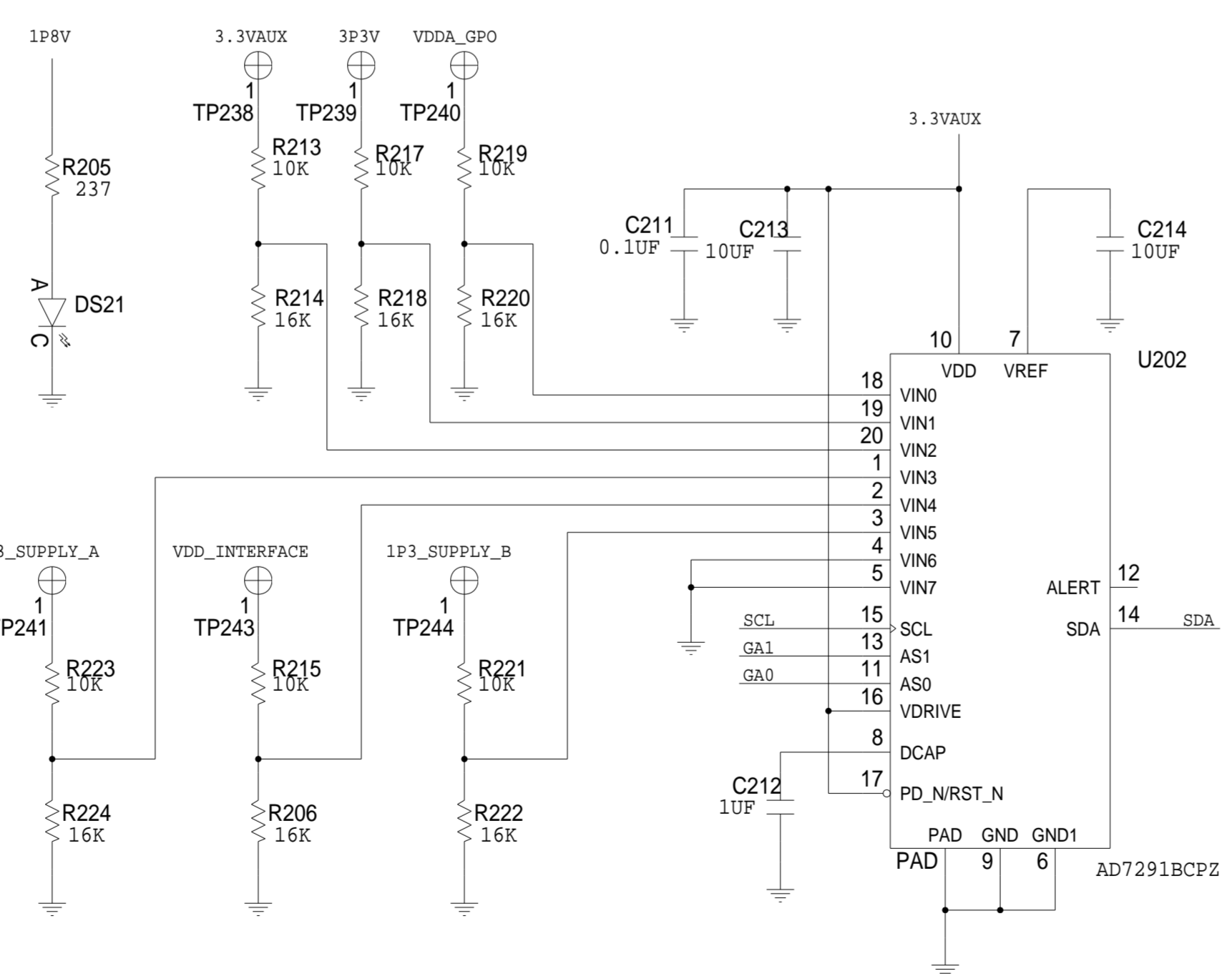
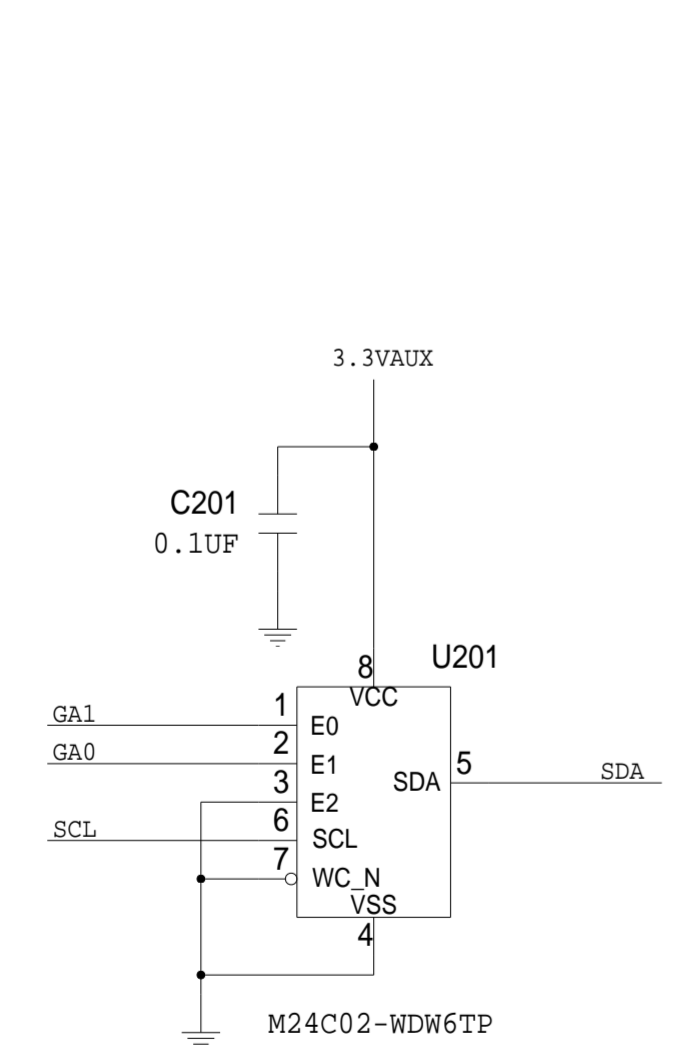
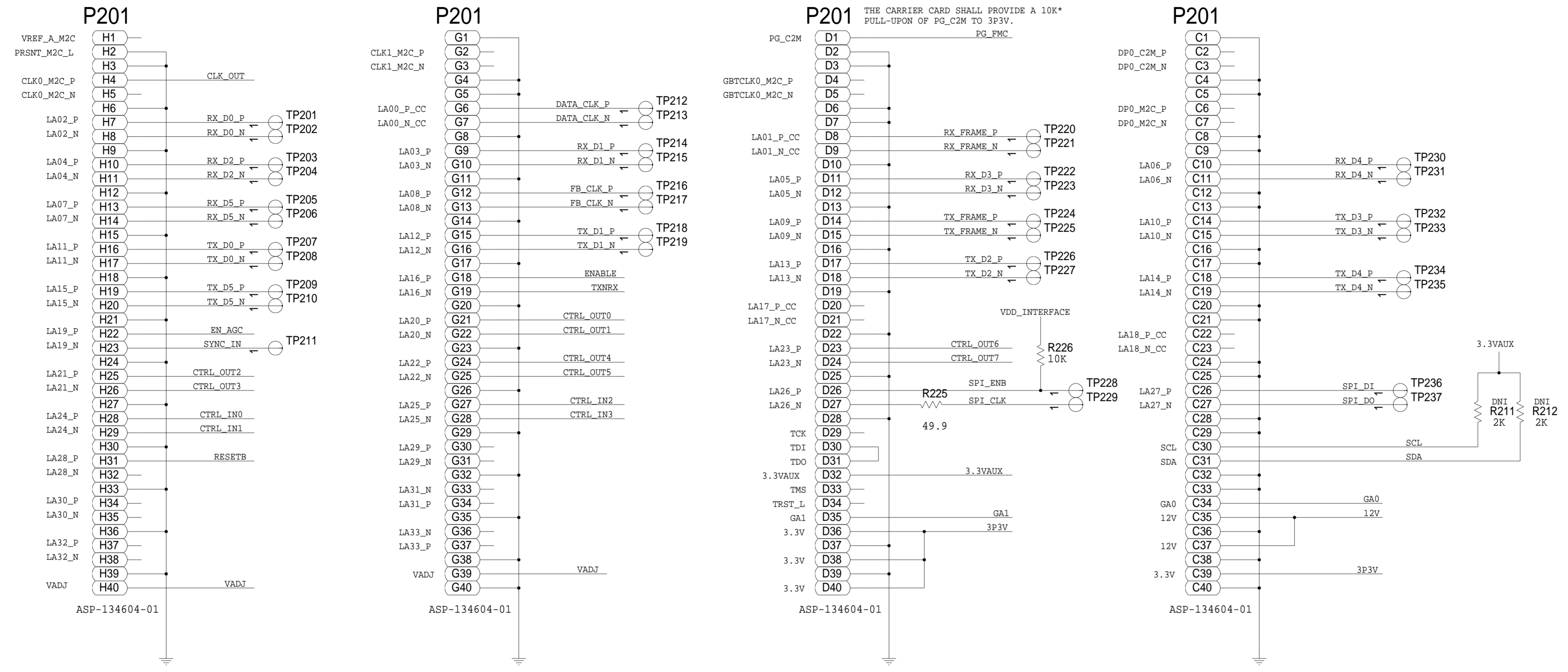
	<b>SCHMATIC</b>		
	HW TYPE : AD-FMCOMMS3-EBZ Product (s) : ad9361		
	DESIGN VIEW <DESIGN_VIEW>	DRAWING NO. 02_037515	REV A
	PTD ENGINEER <PTD_ENGINEER>	SIZE 1:1	SCALE 1:1
		SHEET 2 OF 4	

D  
C  
B  
A

D  
C  
B  
A

REVISIONS			
REV	DESCRIPTION	DATE	APPROVED

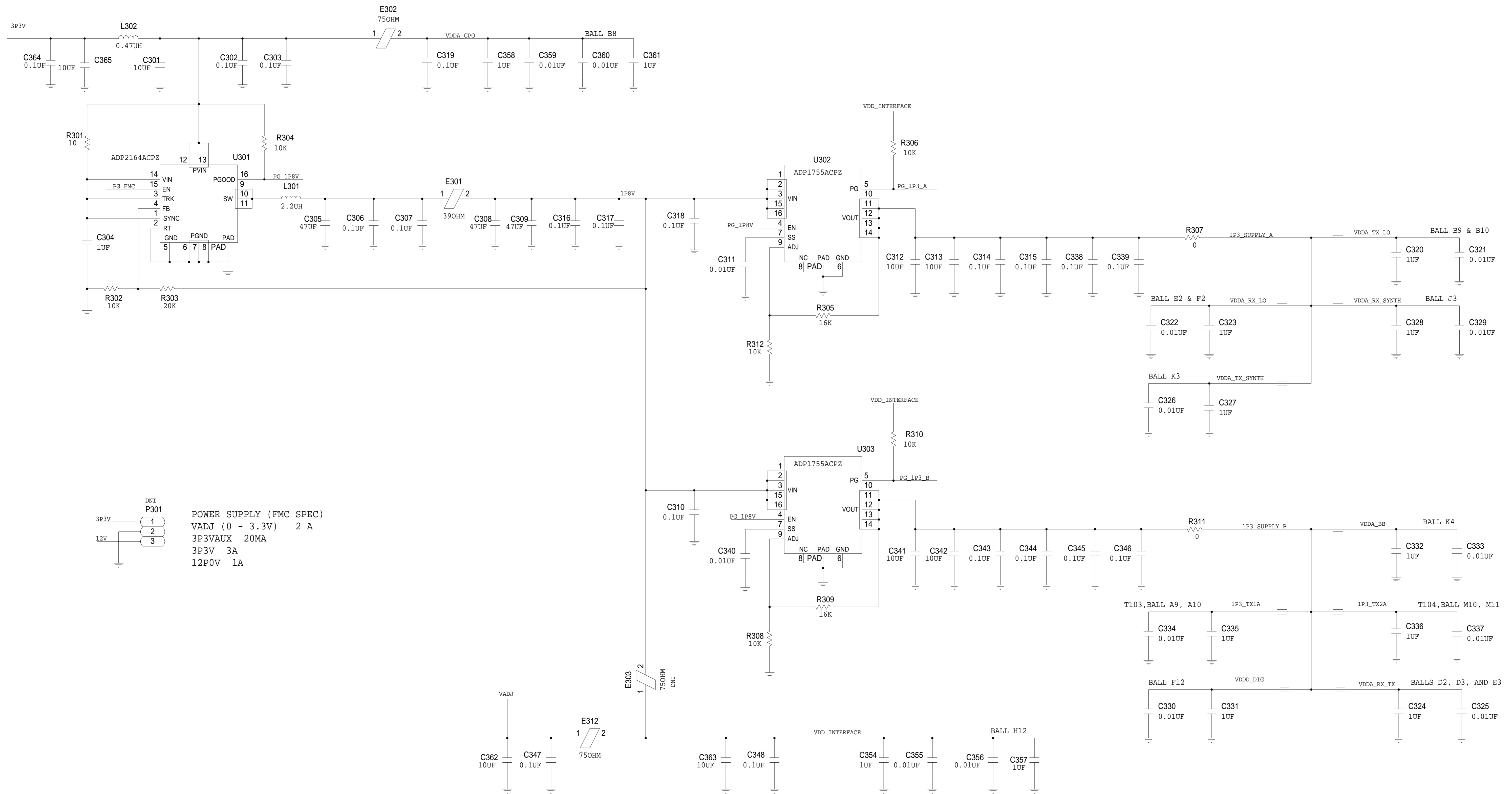
### FMC CONNECTOR



	<b>SCHEMATIC</b>		
	HW TYPE : AD-FMCOMMS3-EBZ Product (s) : ad9361		
	DESIGN VIEW <DESIGN_VIEW>	DRAWING NO. 02_037515	REV A
	PTD ENGINEER <PTD_ENGINEER>	SIZE D	SCALE 1:1
SHEET 3 OF 4		REV A	

# POWER MANAGEMENT SECTION

REVISIONS			
REV	DESCRIPTION	DATE	APPROVED



DNI  
P301

1	3P3V
2	12V
3	

POWER SUPPLY (FMC SPEC)  
 VADJ (0 - 3.3V) 2 A  
 3P3VAUX 20MA  
 3P3V 3A  
 12P0V 1A

SCHEMATIC			
		HW TYPE : AD-FMCOMMS3-EBZ Product (s): ad9361	
DESIGN VIEW <DESIGN_VIEW>	DRAWING NO. 02_037515	REV A	
PTD ENGINEER <PTD_ENGINEER>	SIZE D	SCALE 1:1	SHEET 4 OF 4