

8

7

6

5

4

3

2

1

THIS DRAWING IS THE PROPERTY OF ANALOG DEVICES INC. IT IS NOT TO BE REPRODUCED OR COPIED, IN WHOLE OR IN PART, OR USED IN FURNISHING INFORMATION TO OTHERS, OR FOR ANY OTHER PURPOSE DETRIMENTAL TO THE INTERESTS OF ANALOG DEVICES. THE EQUIPMENT SHOWN HEREON MAY BE PROTECTED BY PATENTS OWNED OR CONTROLLED BY ANALOG DEVICES.

JUMPER TABLE

JP#	ON	OFF
1		
2		
3		
4		
5		

\* SEE ASSEMBLY INSTRUCTIONS

REVISIONS

REV	DESCRIPTION	DATE	APPROVED
C	UPDATED DNI	6-11-13	C.E.

RELAY CONTROL CHART

CONTROL	CODE	DEVICE	FUNCTION	CONNECTOR

JULY 23 2013

TEMPLATE ENGINEER P ALONGI	DATE 7-17-08	<b>SCHEMATIC</b>			
HARDWARE SERVICES -		XCOMMS EVALUATION BOARD <PRODUCT> <PRODUCT_1> <DRAWING_TITLE1> <DRAWING_TITLE2> <DRAWING_TITLE3> <DRAWING_TITLE4> <DRAWING_TITLE5>			
HARDWARE SYSTEMS -					
TEST ENGINEER -					
COMPONENT ENGINEER -					
TEST PROCESS -					
HARDWARE RELEASE -					
DESIGNER -		MASTER PROJECT TEMPLATE <DRAWING_TITLE6>	TESTER TEMPLATE -	DRAWING NO. 11018	REV. C
PTD ENGINEER <PTD_ENGINEER>		UNLESS OTHERWISE SPECIFIED DIMENSIONS ARE IN INCHES			
CHECKER -		TOLERANCES			
		DECIMALS X.XX +-0.010	FRACTIONS +-1/32	ANGLES +-2	SIZE D
		X.XXX +-0.005		SCALE <SCALE>	CODE ID NO. SHEET 1 OF 13

P.O SPEC.	BK/BD SPEC.	SOCKET OEM	OEM PART#	HANDLER

8

7

6

5

4

3

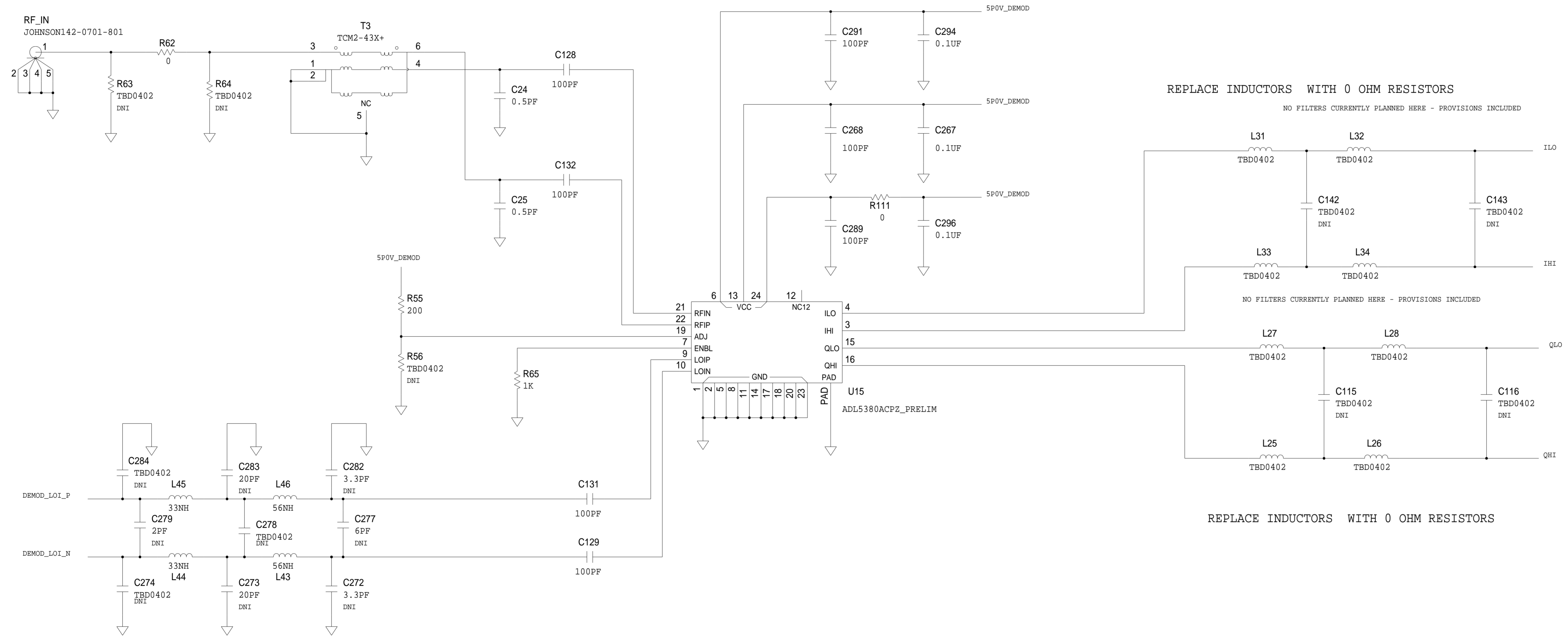
2

1

# DEMODULATOR - ADL5380

REVISIONS			
REV	DESCRIPTION	DATE	APPROVED

RF\_IN



REPLACE L43 L44 L45 L46 WITH 0 OHM RESISTORS

REPLACE INDUCTORS WITH 0 OHM RESISTORS  
NO FILTERS CURRENTLY PLANNED HERE - PROVISIONS INCLUDED

REPLACE INDUCTORS WITH 0 OHM RESISTORS

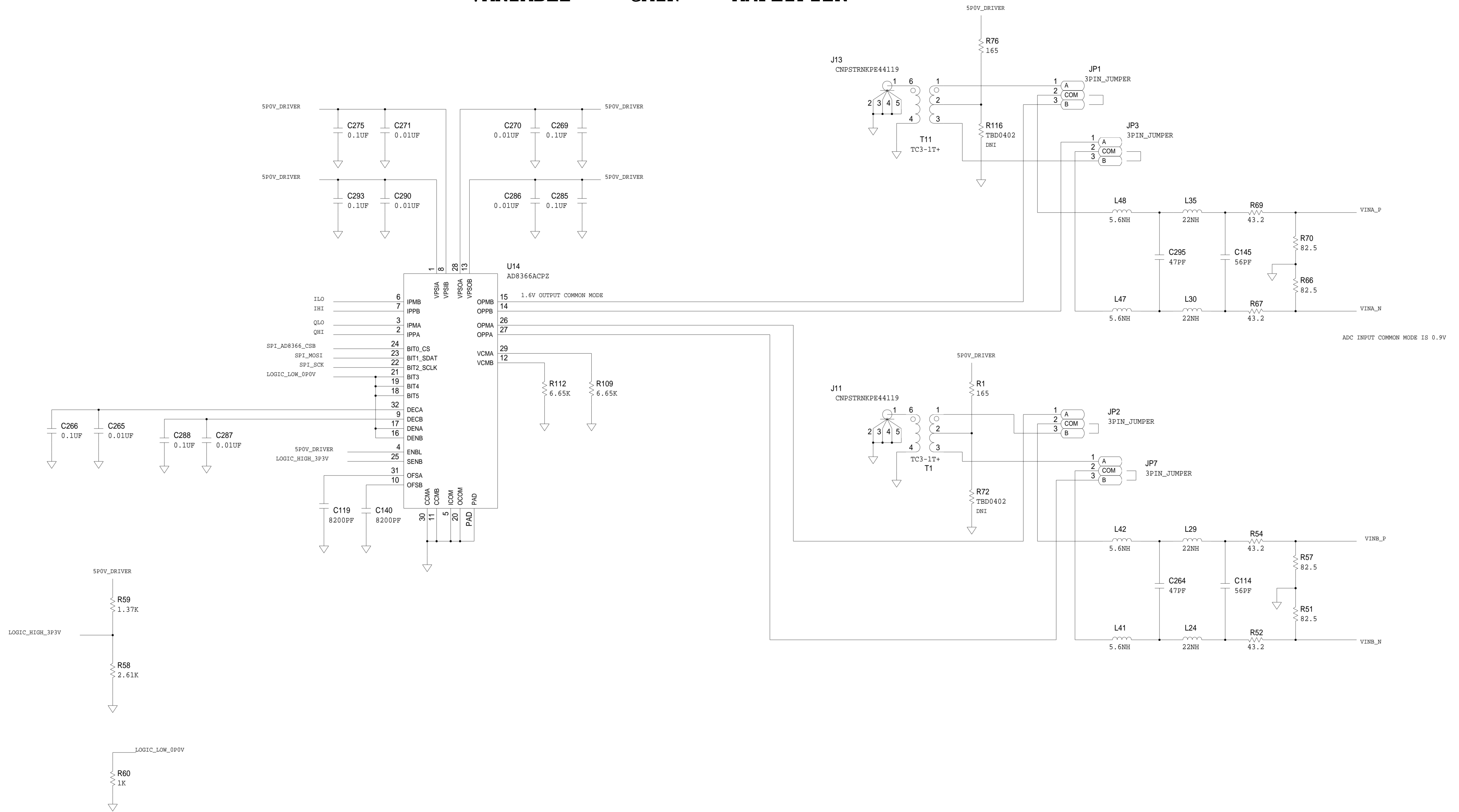
	<b>SCHEMATIC</b>		
	XCOMMS EVALUATION BOARD <PRODUCT> <PRODUCT_1>		
	DESIGN VIEW <DESIGN_VIEW>	DRAWING NO. 11018	REV C
	PTD ENGINEER <PTD_ENGINEER>	SIZE <b>D</b>	SCALE <SCALE>

SHEET 2 OF 13

# ADC DRIVER - AD8366

## VARIABLE GAIN AMPLIFIER

REVISIONS			
REV	DESCRIPTION	DATE	APPROVED



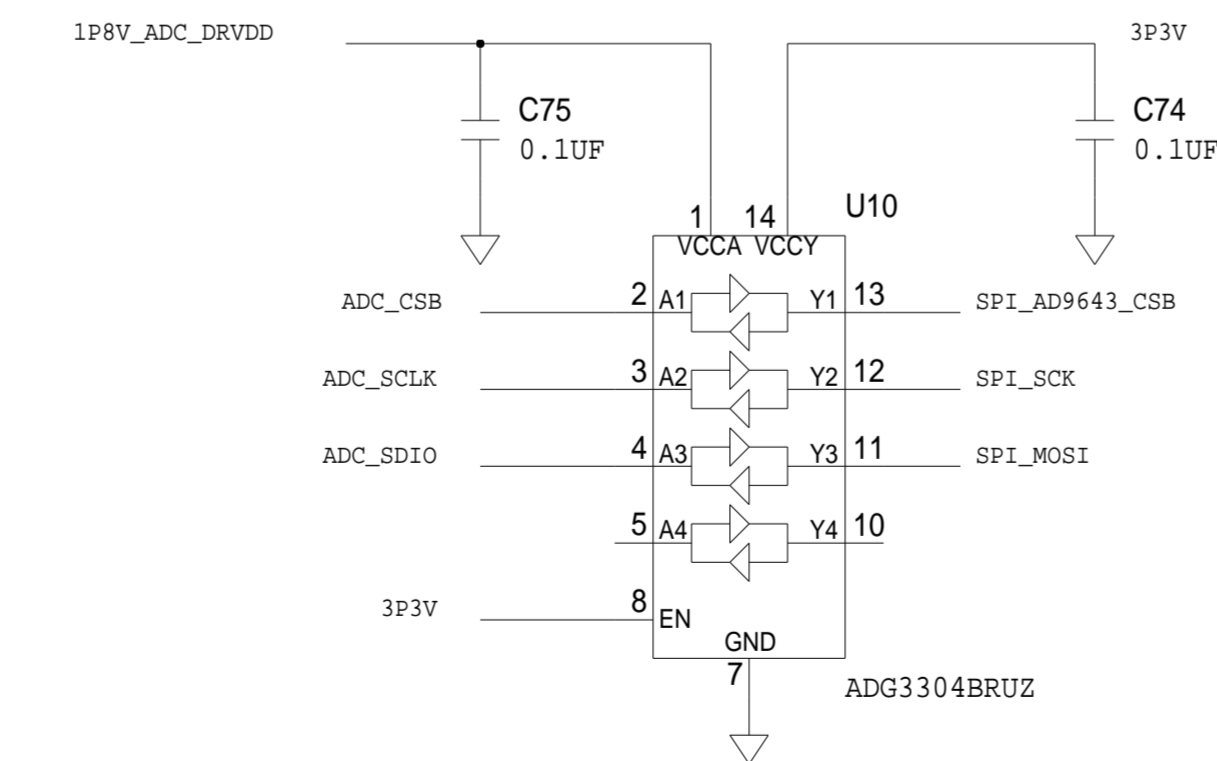
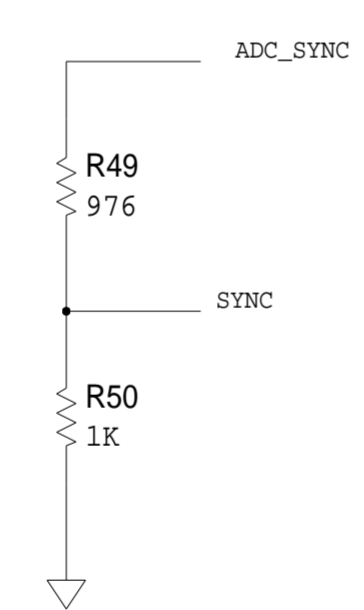
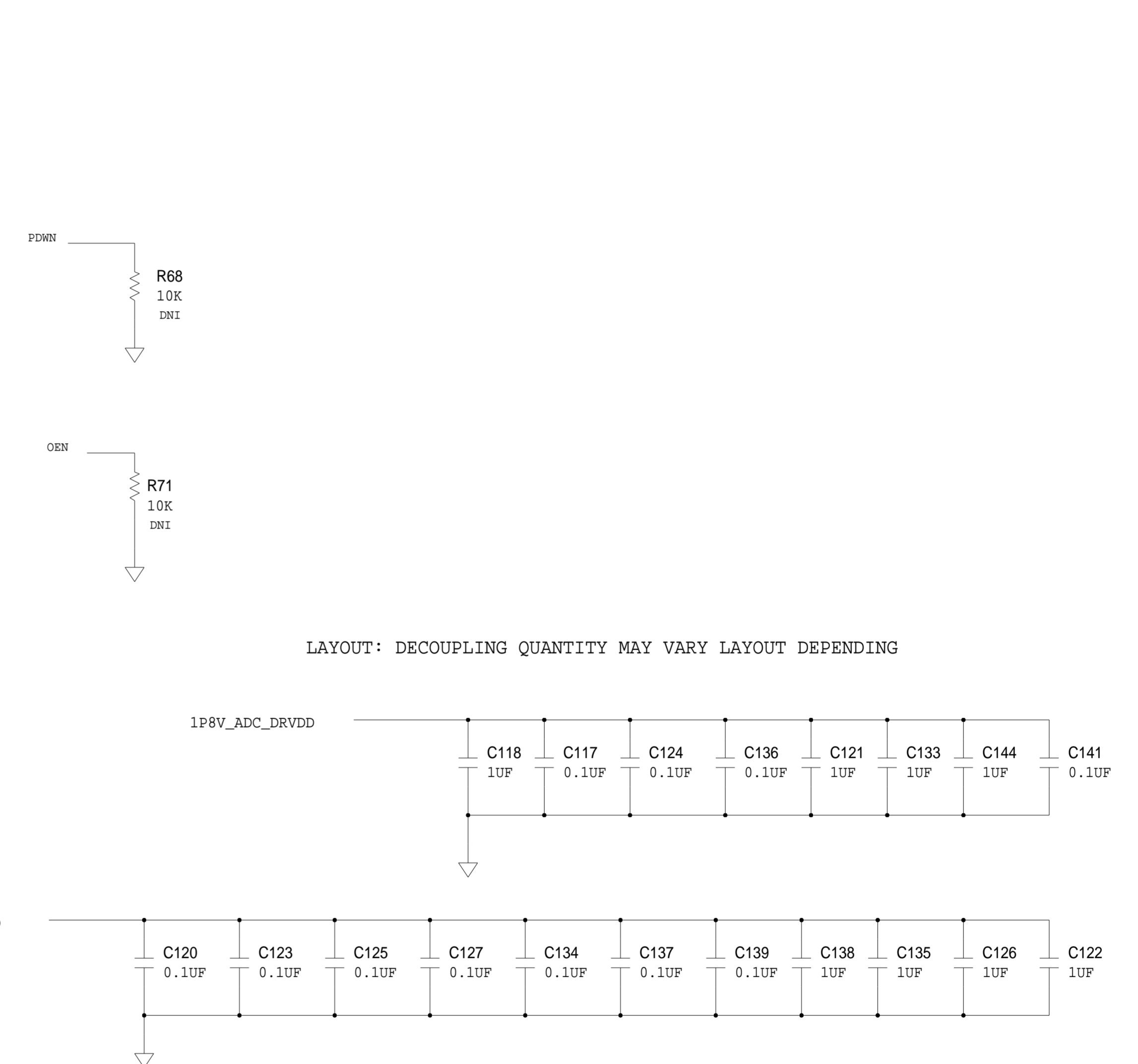
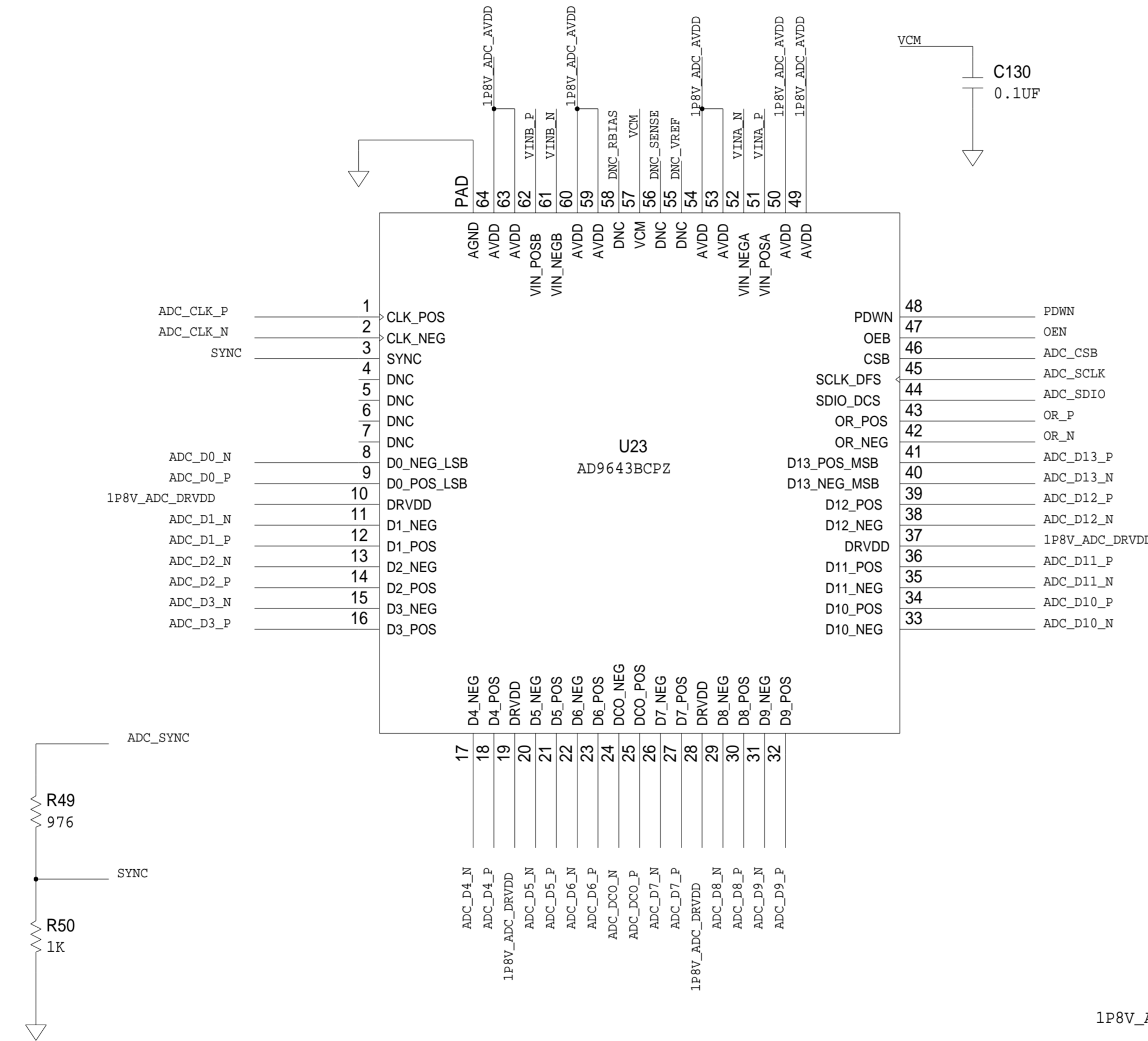
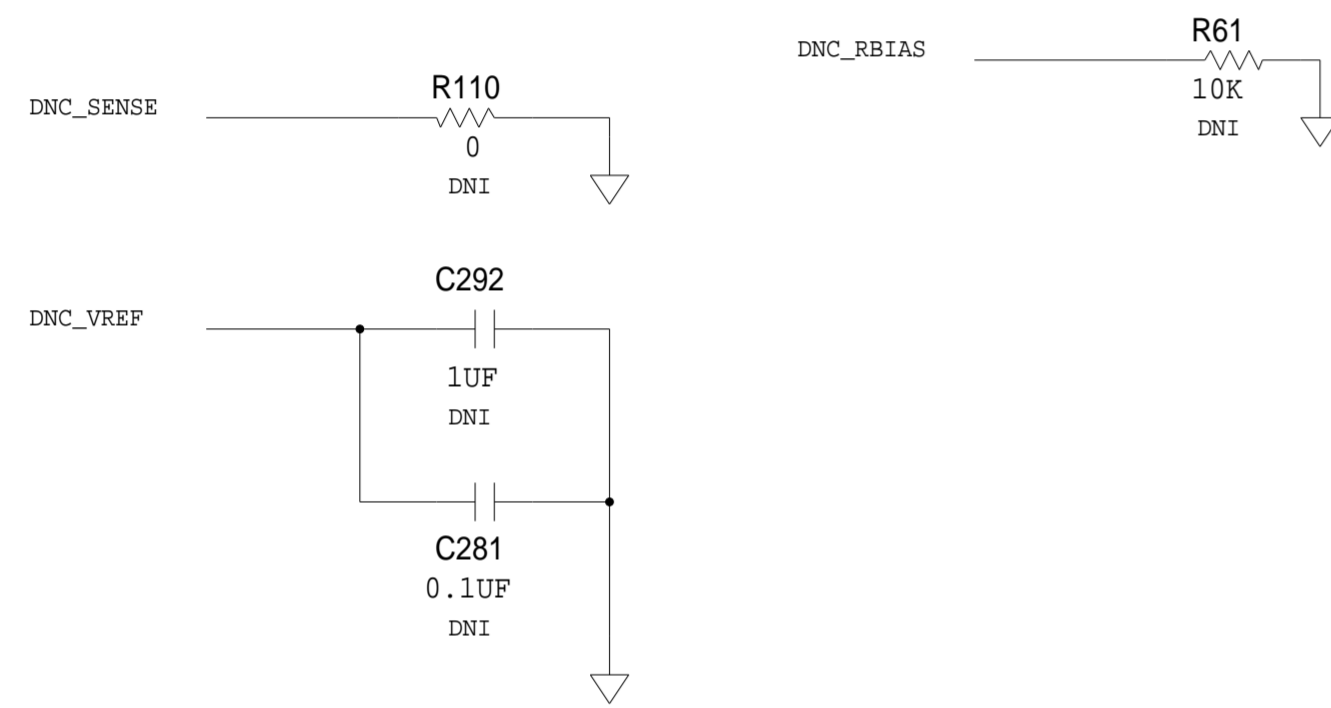
	<b>SCHEMATIC</b>		
	XCOMMS EVALUATION BOARD		
	<PRODUCT>		
	<PRODUCT_1>		
DESIGN VIEW	DRAWING NO.	REV	
<DESIGN_VIEW>	11018	C	
PTD ENGINEER	SIZE	SCALE	SHEET 3 OF 13
<PTD_ENGINEER>	D	<SCALE>	

# ADC - AD9643

REVISIONS			
REV	DESCRIPTION	DATE	APPROVED

# AD9643 / AD6649 ADC

EXTRA CIRCUITRY FOR AD9258 COMPATIBILITY  
NOT NEEDED FOR AD9643/AD6649



LAYOUT: DECOUPLING QUANTITY MAY VARY LAYOUT DEPENDING

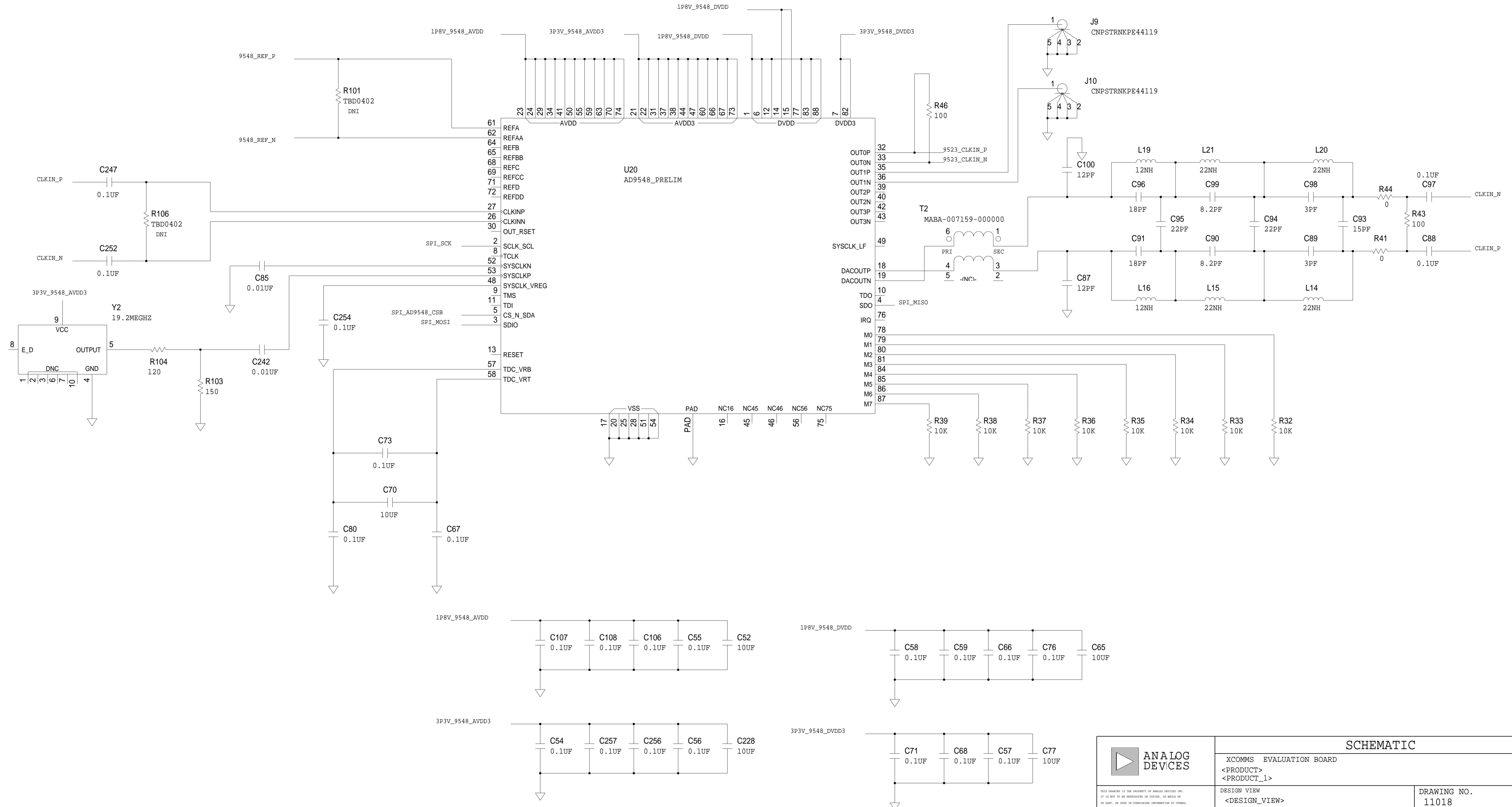
	<b>SCHEMATIC</b>		
	XCOMMS EVALUATION BOARD <PRODUCT> <PRODUCT_1>		
DESIGN VIEW <DESIGN_VIEW>	DRAWING NO. 11018	REV C	
PTD ENGINEER <PTD_ENGINEER>	SIZE <b>D</b>	SCALE <SCALE>	SHEET 4 OF 13

# CLOCK SYNCHRONIZATION- AD9548

## REVISIONS

REV	DESCRIPTION	DATE	APPROVED

LAYOUT NOTES:  
ISOLATE PINS 14,15 FROM REST OF 1P8V\_9548\_DVDD

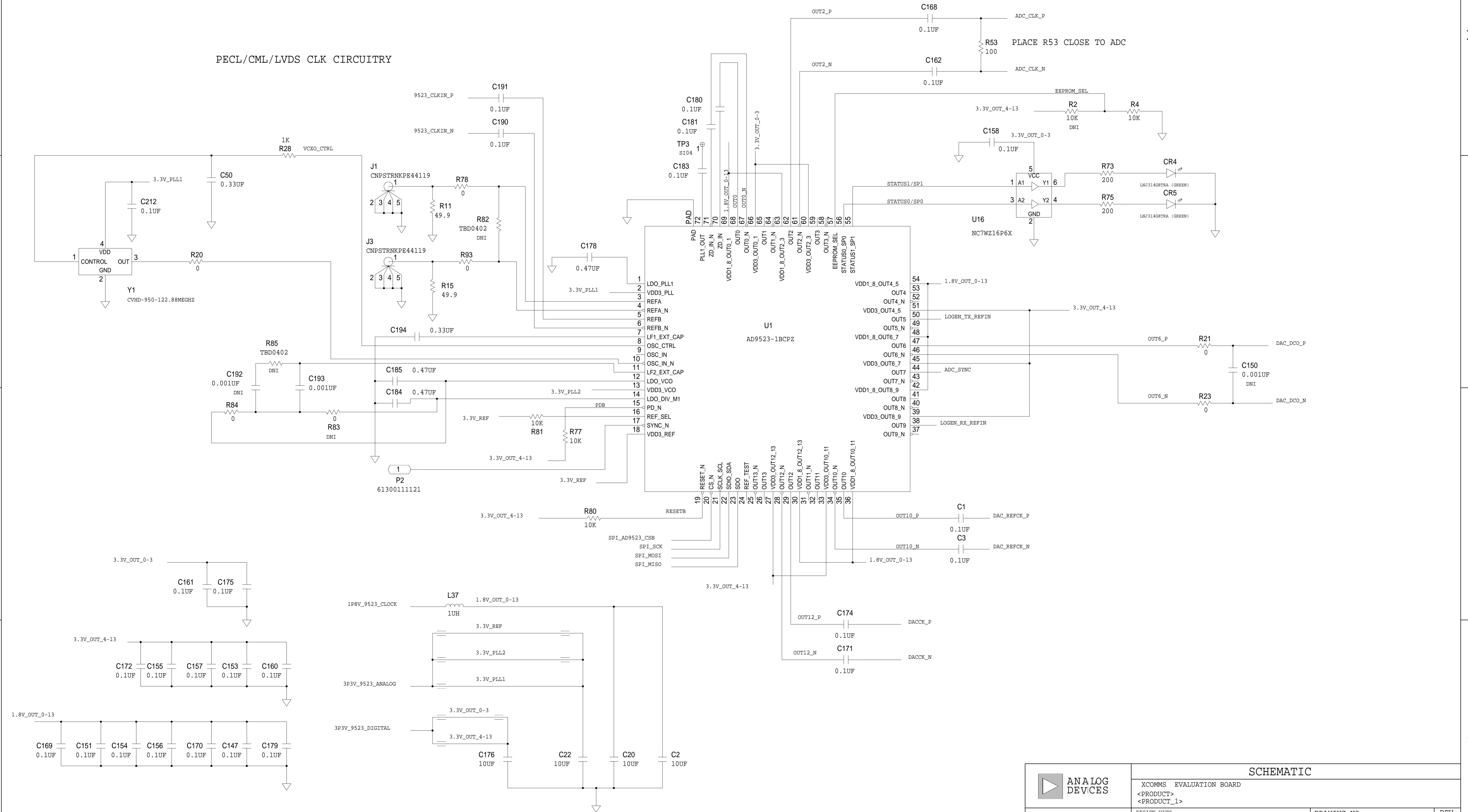


	<b>SCHEMATIC</b>		
	XCOMMS EVALUATION BOARD		
	<PRODUCT>		
	<PRODUCT_1>		
DESIGN VIEW	DRAWING NO.	REV	
<DESIGN_VIEW>	11018	C	
PTD ENGINEER	SIZE	SCALE	
<PTD_ENGINEER>	D	<SCALE>	SHEET 5 OF 13

# CLOCKING - AD9523-1

REVISIONS			
REV	DESCRIPTION	DATE	APPROVED

## PECL/CML/LVDS CLK CIRCUITRY

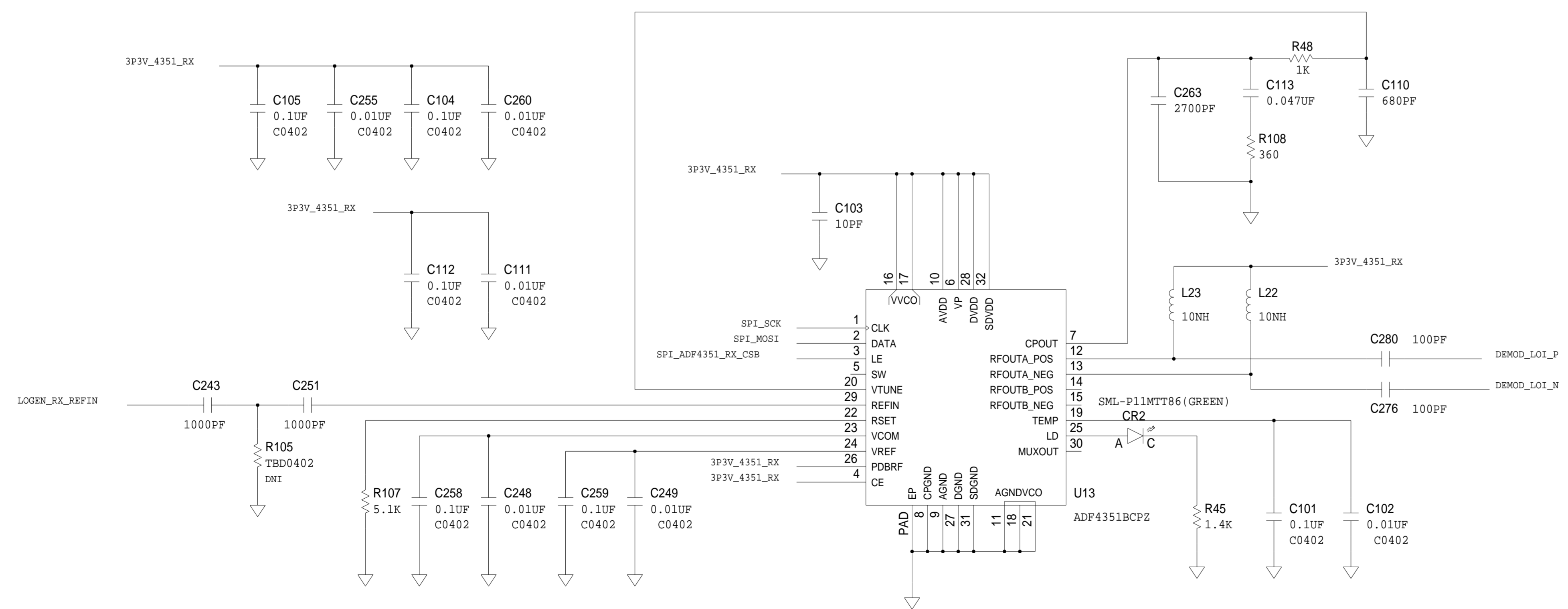
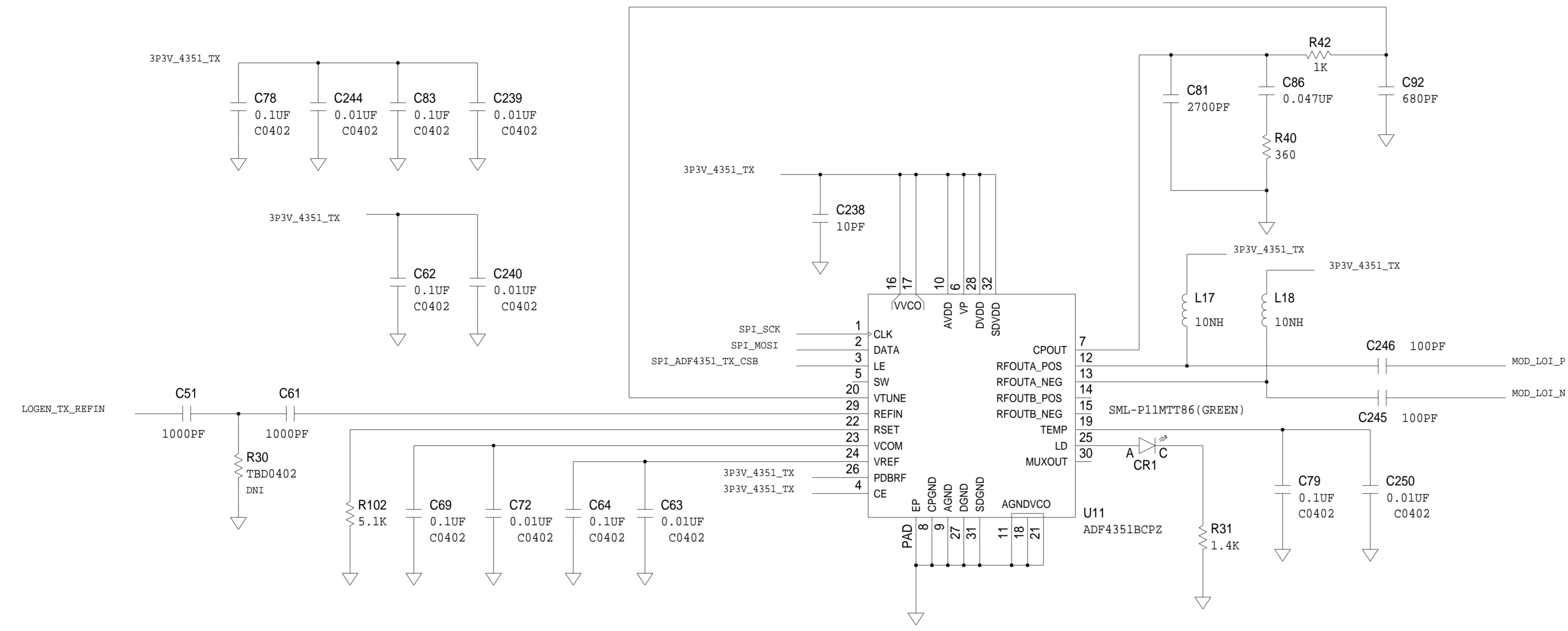


	<b>SCHEMATIC</b>		
	XCOMMS EVALUATION BOARD		
	<PRODUCT>		
	<PRODUCT_1>		
DESIGN VIEW	DRAWING NO.	REV	
<DESIGN_VIEW>	11018	C	
PTD ENGINEER	SIZE	SCALE	
<PTD_ENGINEER>	D	<SCALE>	
SHEET 6 OF 13			

# LO GENERATION - ADF4351

## REVISIONS

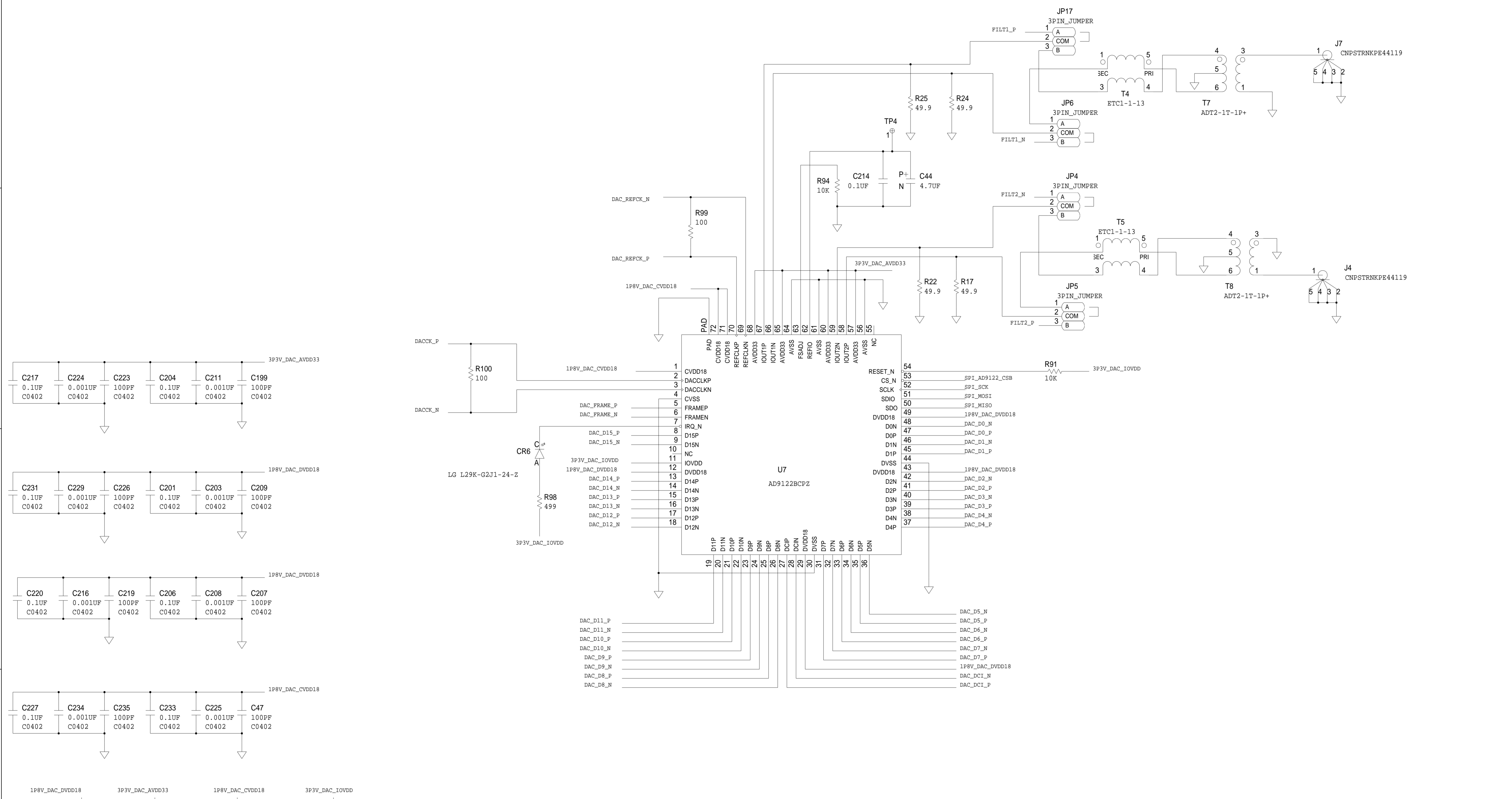
REV	DESCRIPTION	DATE	APPROVED



	<b>SCHEMATIC</b>		
	XCOMMS EVALUATION BOARD		
	<PRODUCT>		
	<PRODUCT_1>		
DESIGN VIEW	DRAWING NO.	REV	
<DESIGN_VIEW>	11018	C	
PTD ENGINEER	SIZE	SCALE	
<PTD_ENGINEER>	D	<SCALE>	
SHEET 7 OF 13			

# DAC - AD9122

REVISIONS			
REV	DESCRIPTION	DATE	APPROVED



	<b>SCHEMATIC</b>		
	XCOMMS EVALUATION BOARD <PRODUCT> <PRODUCT_1>		
	DESIGN VIEW <DESIGN_VIEW>	DRAWING NO. 11018	REV C
	PTD ENGINEER <PTD_ENGINEER>	SIZE <b>D</b>	SCALE <SCALE>

THIS DRAWING IS THE PROPERTY OF ANALOG DEVICES INC. IT IS NOT TO BE REPRODUCED OR COPIED, IN WHOLE OR IN PART, OR USED IN ANY MANNER WITHOUT THE WRITTEN PERMISSION OF ANALOG DEVICES. THE EQUIPMENT SHOWN HEREON MAY BE PROTECTED BY PATENTS OWNED OR CONTROLLED BY ANALOG DEVICES.

D  
C  
B  
A

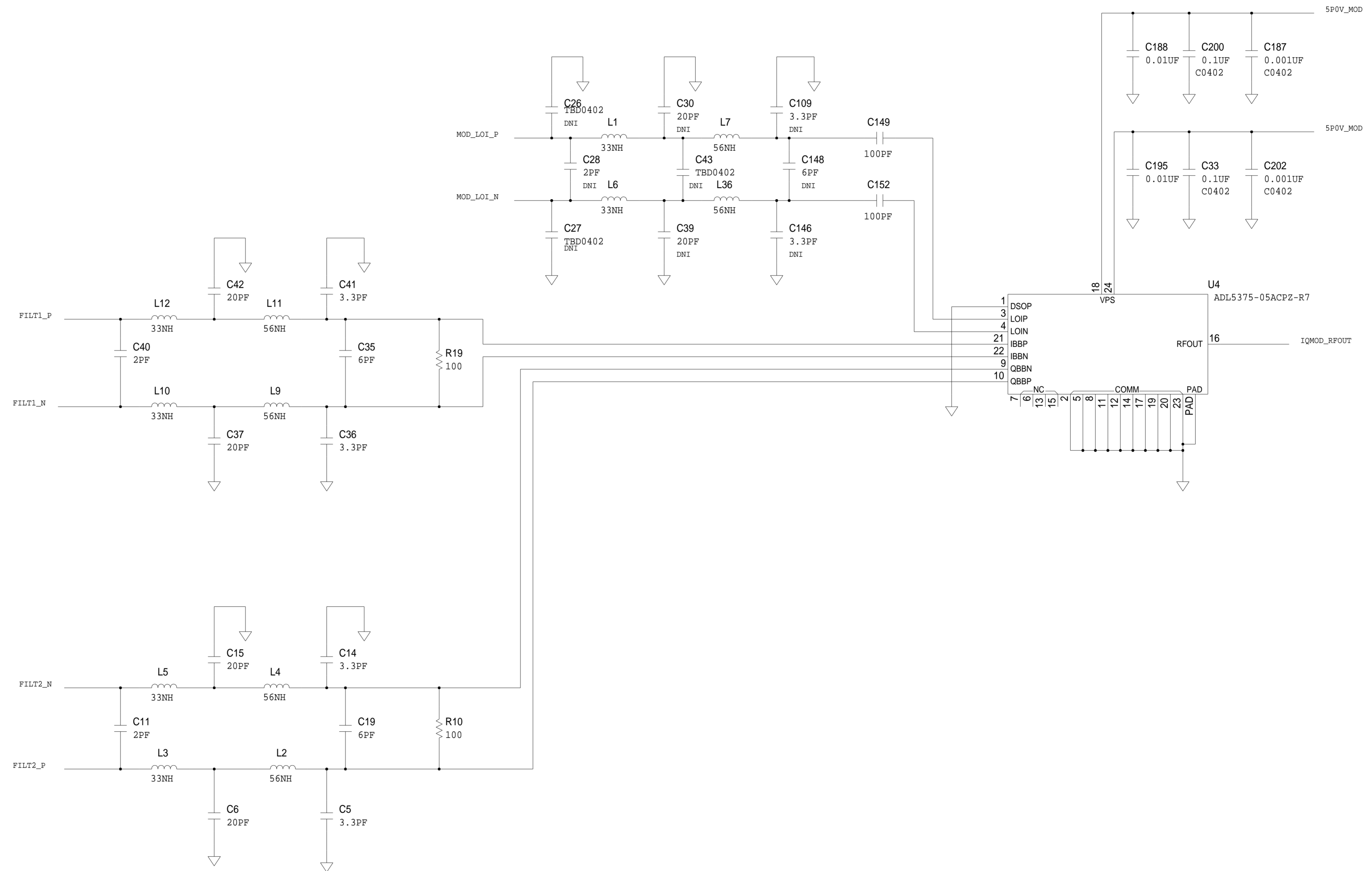
D  
C  
B  
A



# MODULATOR - ADL5375

## REVISIONS

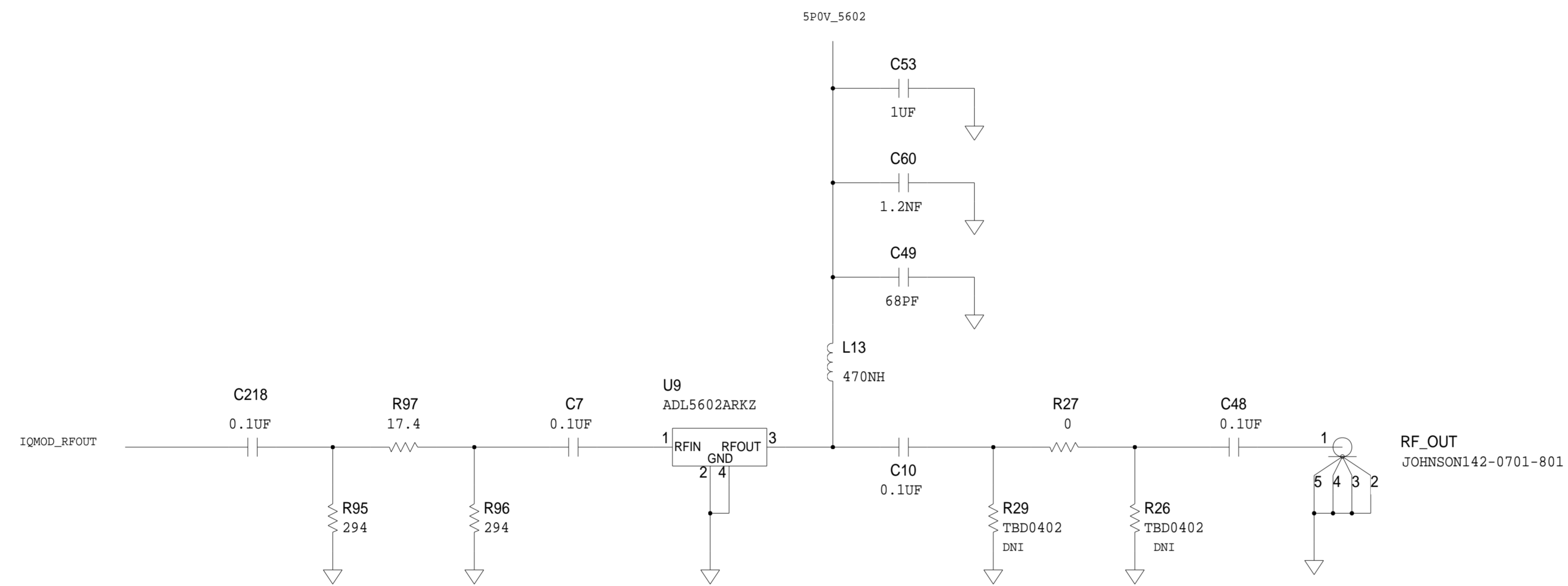
REV	DESCRIPTION	DATE	APPROVED



	<b>SCHEMATIC</b>		
	XCOMMS EVALUATION BOARD		
	<PRODUCT> <PRODUCT_1>		
	DESIGN VIEW <DESIGN_VIEW>	DRAWING NO. 11018	REV C
PTD ENGINEER <PTD_ENGINEER>	SIZE <b>D</b>	SCALE <SCALE>	
		SHEET 9 OF 13	

REVISIONS			
REV	DESCRIPTION	DATE	APPROVED

### GAIN BLOCK \_ ADL5602

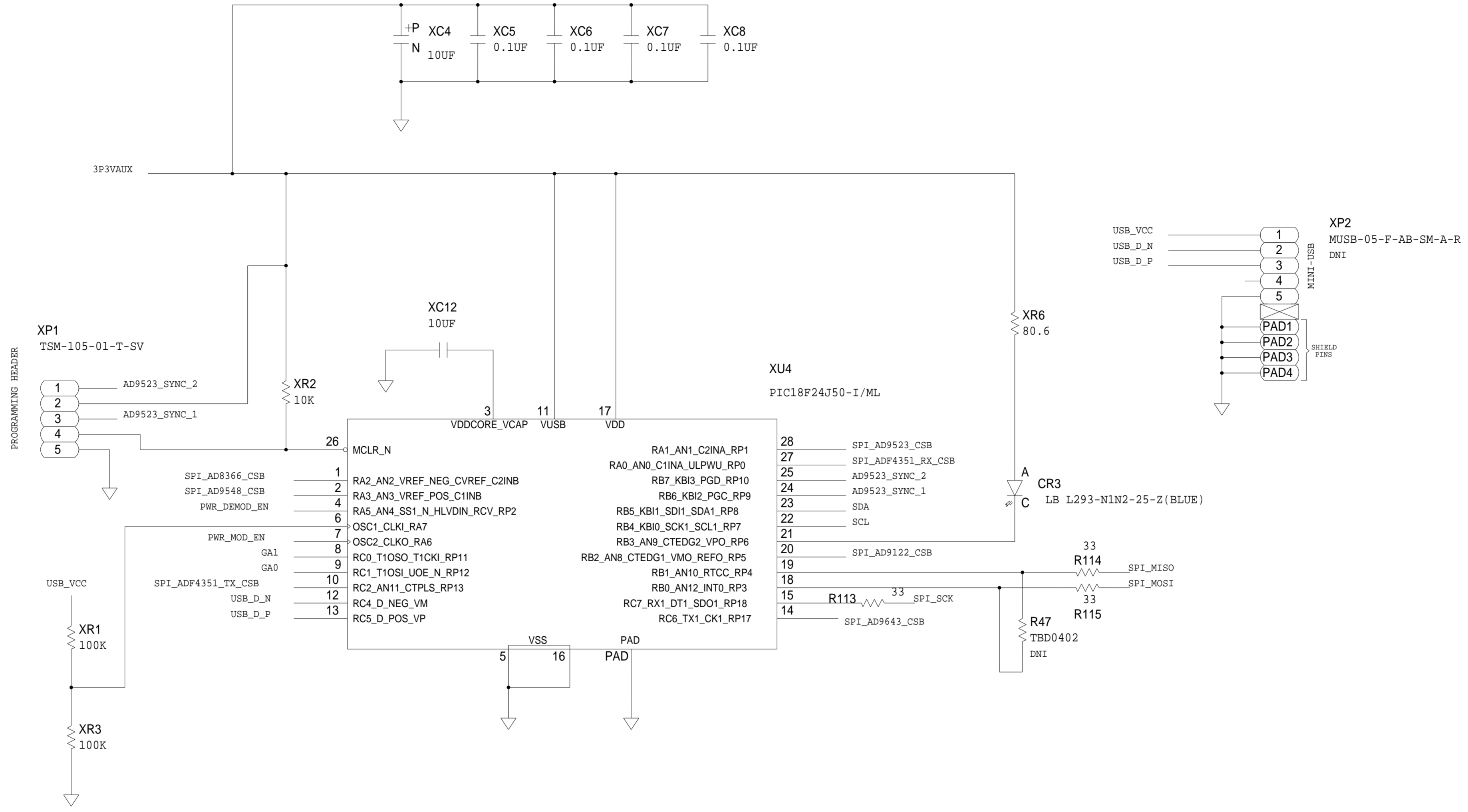


	<b>SCHEMATIC</b>		
	XCOMMS EVALUATION BOARD		
	<PRODUCT> <PRODUCT_1>		
	DESIGN VIEW <DESIGN_VIEW>	DRAWING NO. 11018	REV C
PTD ENGINEER <PTD_ENGINEER>	SIZE <b>D</b>	SCALE <SCALE>	
		SHEET 10 OF 13	

USB

REVISIONS

REV	DESCRIPTION	DATE	APPROVED



4-WIRE SPI VERSION

	SCHEMATIC		
	XCOMMS EVALUATION BOARD		
	<PRODUCT>		
	<PRODUCT_1>		
DESIGN VIEW	DRAWING NO.	REV	
<DESIGN_VIEW>	11018	C	
PTD ENGINEER	SIZE	SCALE	SHEET 11 OF 13
<PTD_ENGINEER>	D	<SCALE>	

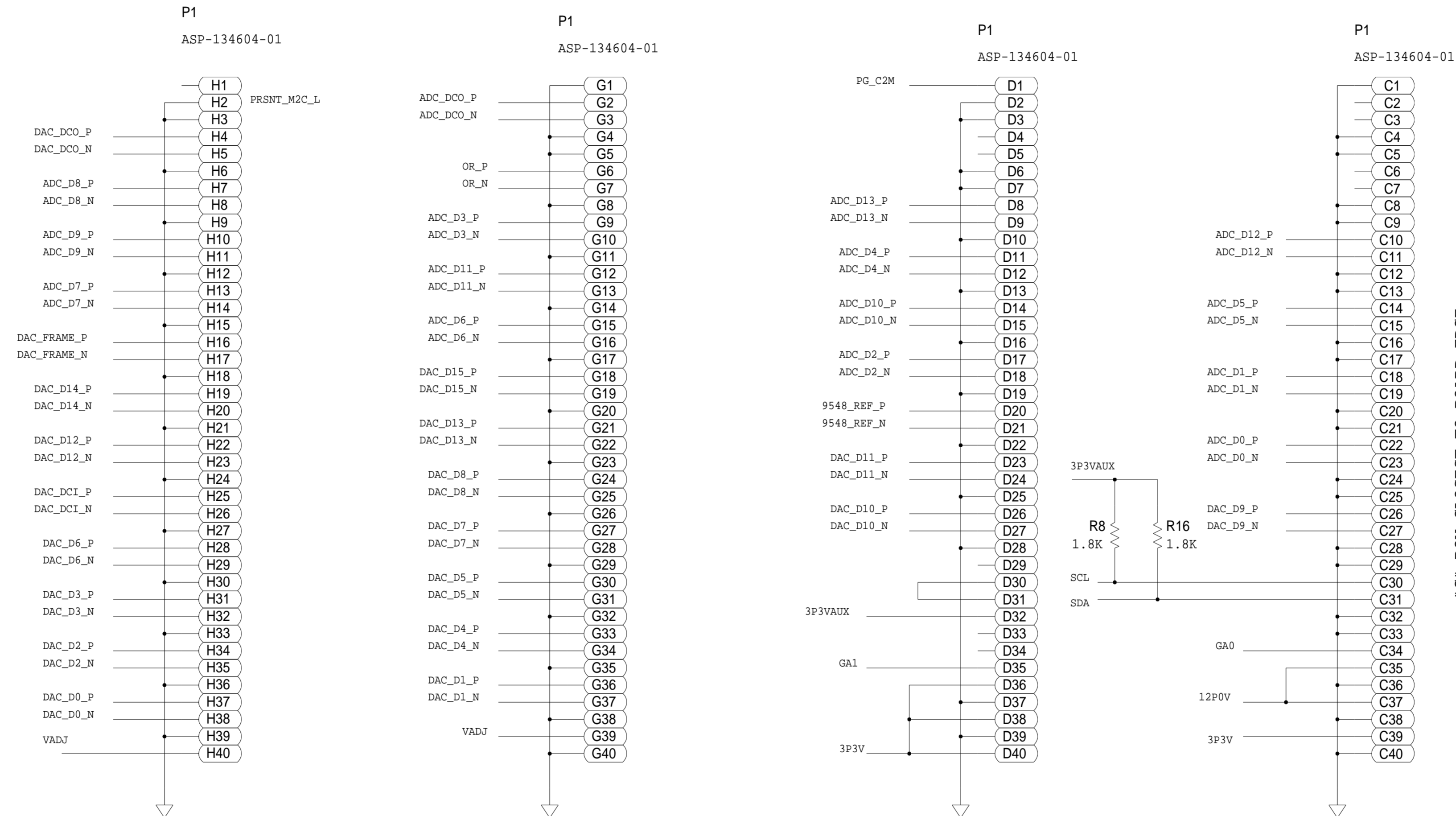
FMC

REVISIONS

REV	DESCRIPTION	DATE	APPROVED

LAYOUT NOTES:

ALL LINES MATCHED LENGTH (MATCHING MORE CRITICAL THAN LINE LENGTH)  
 P0DBXX & P1DBXX & DCIO\_P/N

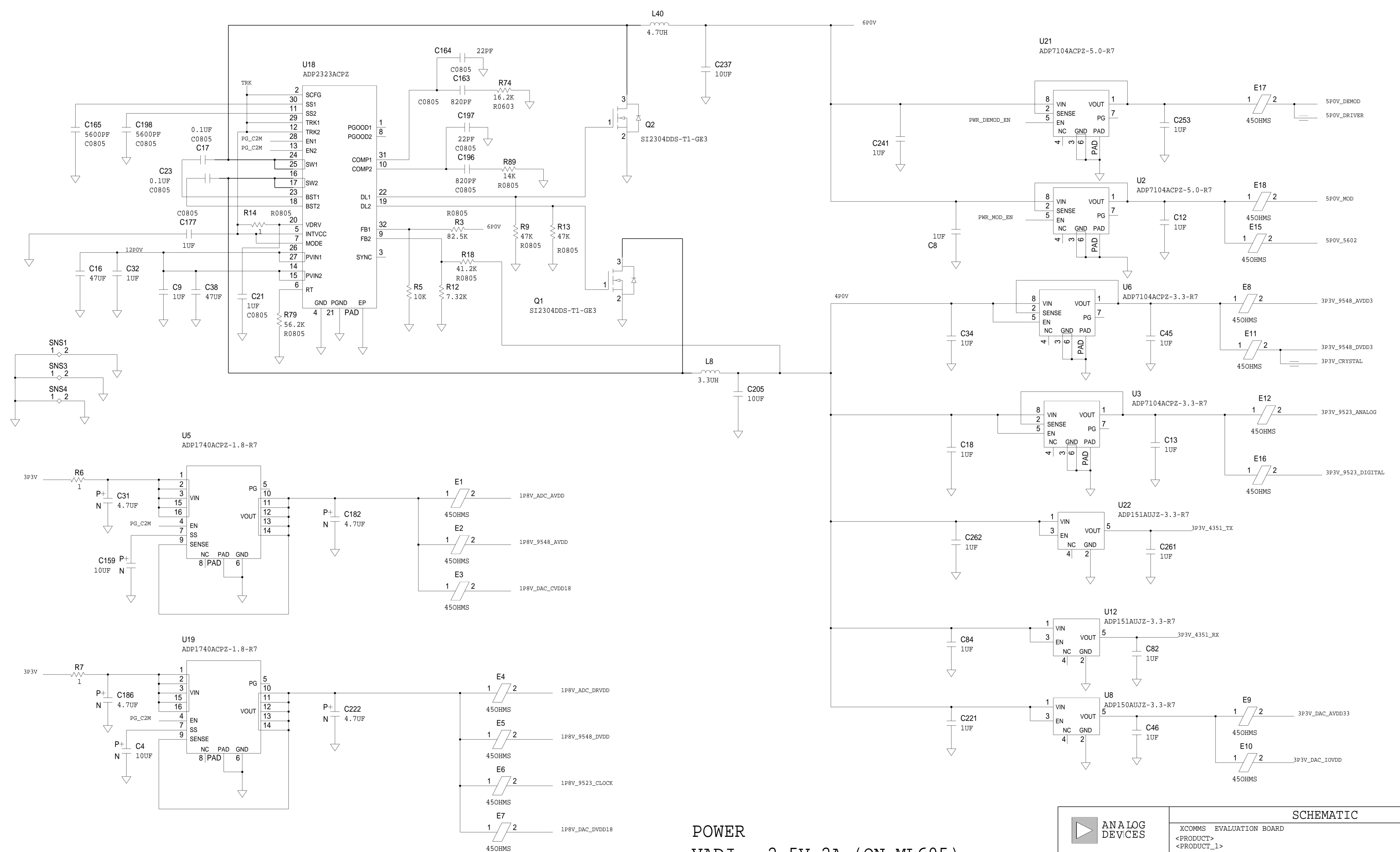


	<b>SCHEMATIC</b>		
	XCOMMS EVALUATION BOARD <PRODUCT> <PRODUCT_1>		
	DESIGN VIEW <DESIGN_VIEW>	DRAWING NO. 11018	REV C
	PTD ENGINEER <PTD_ENGINEER>	SIZE <b>D</b>	SCALE <SCALE>

THIS DRAWING IS THE PROPERTY OF ANALOG DEVICES INC. IT IS NOT TO BE REPRODUCED OR COPIED, IN WHOLE OR IN PART, OR USED IN ANY MANNER WITHOUT THE WRITTEN PERMISSION OF ANALOG DEVICES. THE EQUIPMENT SHOWN HEREON MAY BE PROTECTED BY PATENTS OWNED OR CONTROLLED BY ANALOG DEVICES.

"C" ROW CLOSEST TO BOARD EDGE

REVISIONS			
REV	DESCRIPTION	DATE	APPROVED



POWER  
 VADJ - 2.5V 2A (ON ML605)  
 3P3V - 3.3V 3A

	<b>SCHEMATIC</b>		
	XCOMMS EVALUATION BOARD		
	<PRODUCT> <PRODUCT_1>		
	DESIGN VIEW <DESIGN_VIEW>	DRAWING NO. 11018	REV C
PTD ENGINEER <PTD_ENGINEER>	SIZE <b>D</b>	SCALE <SCALE>	
		SHEET 13 OF 13	