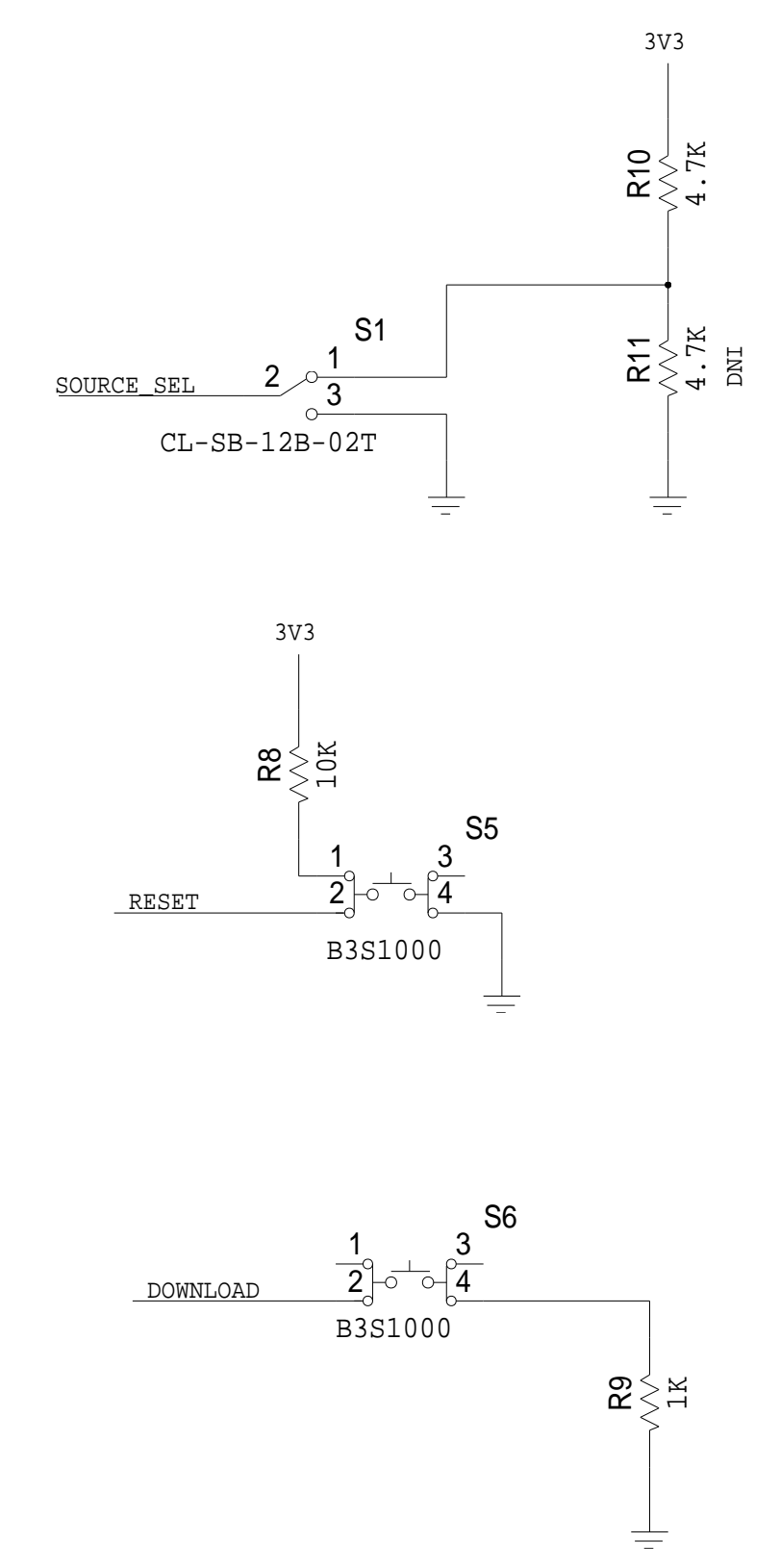
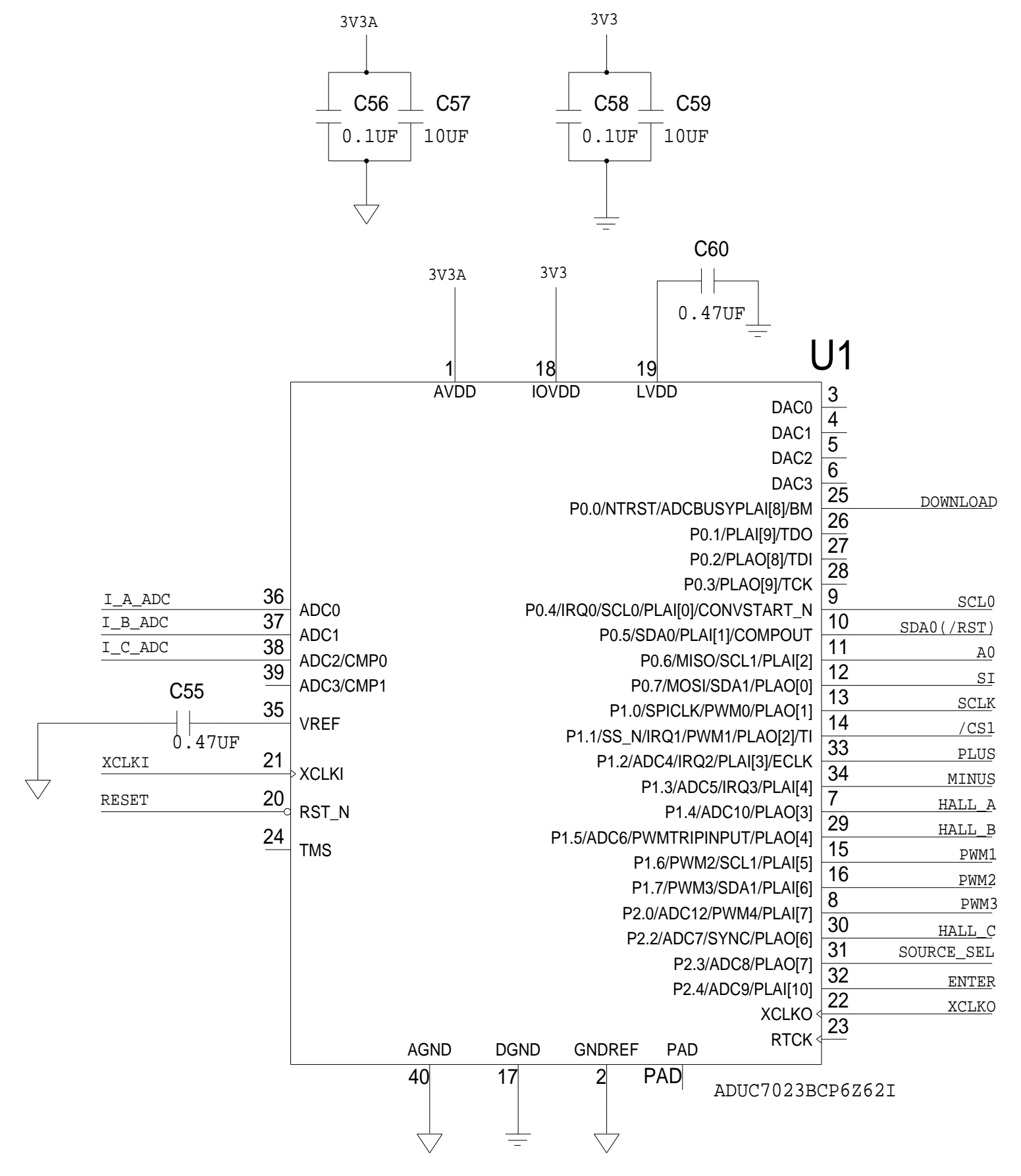
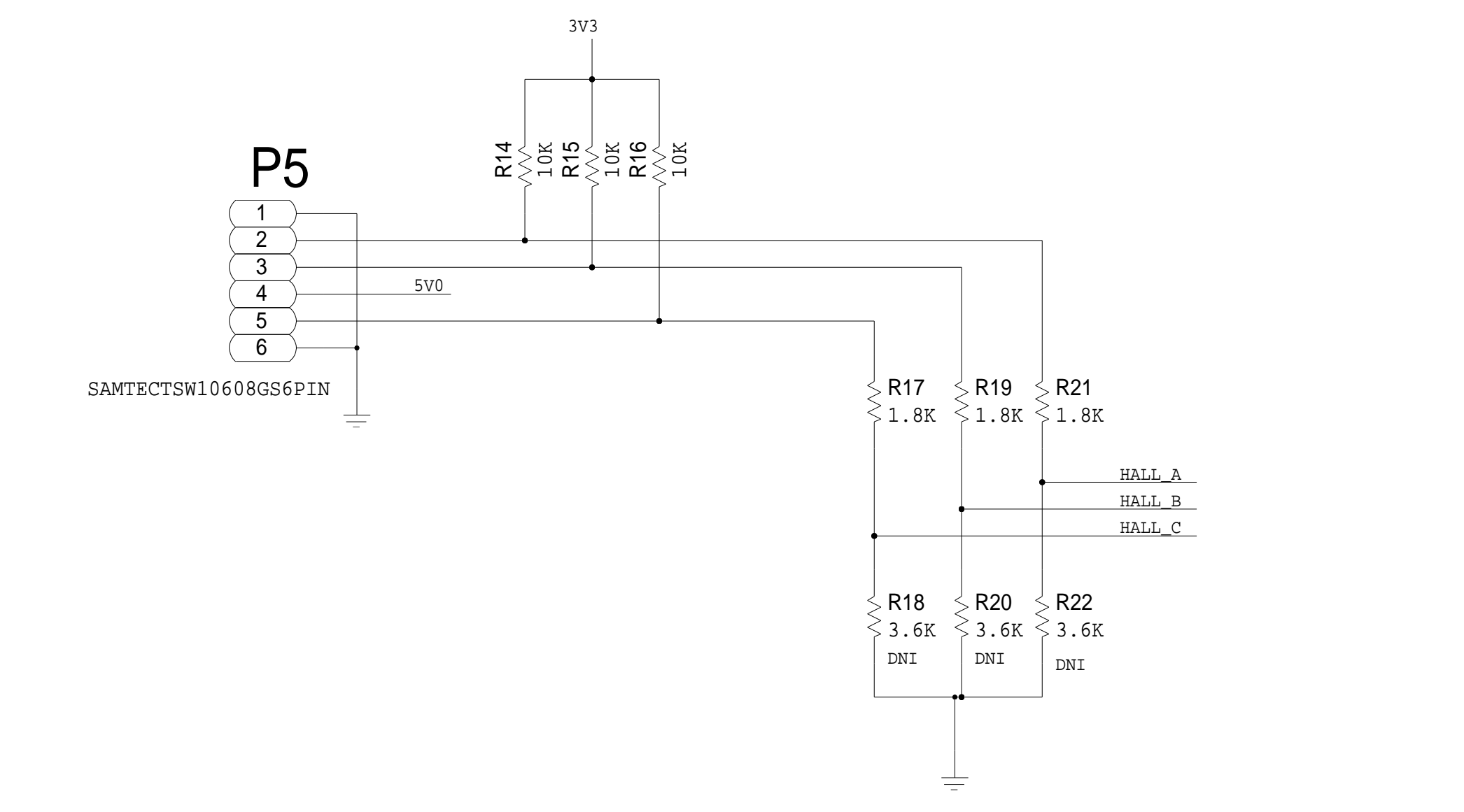
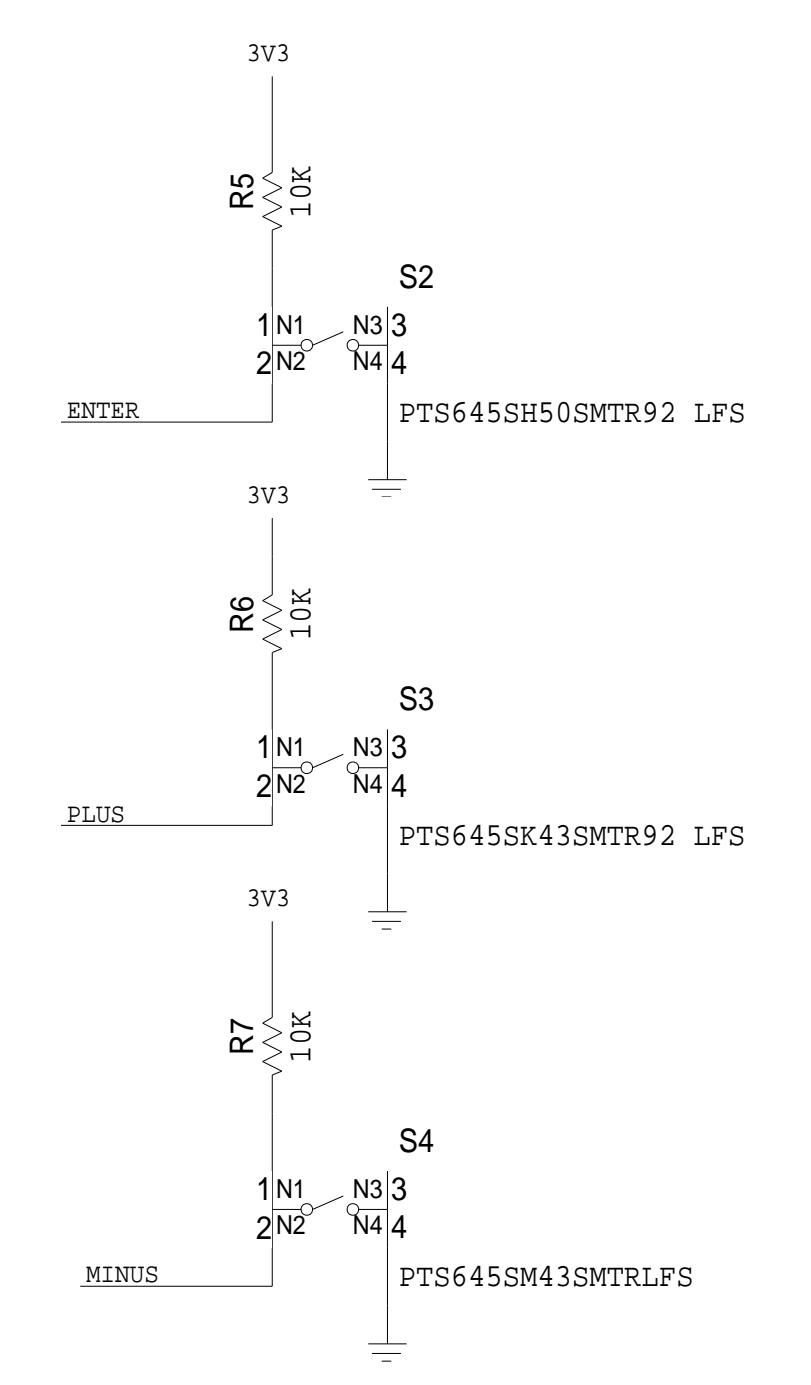
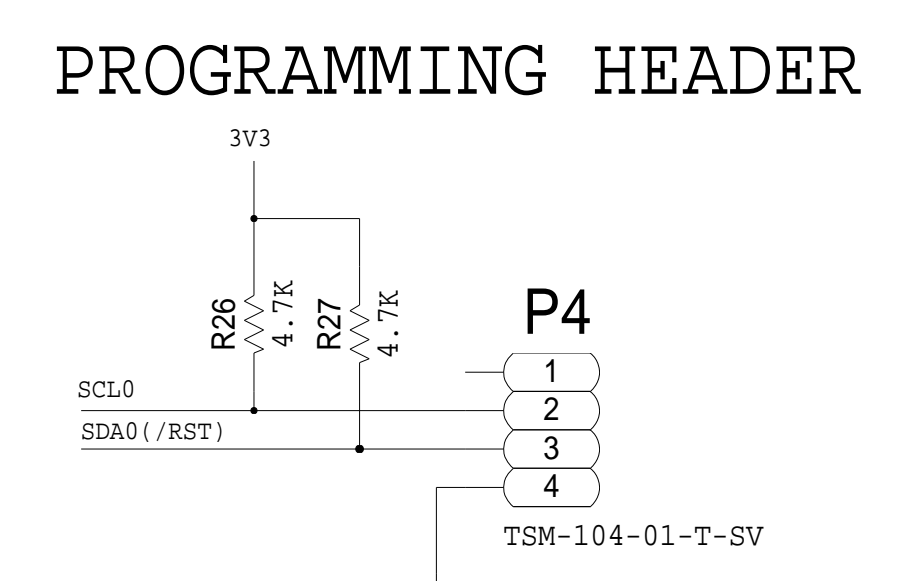
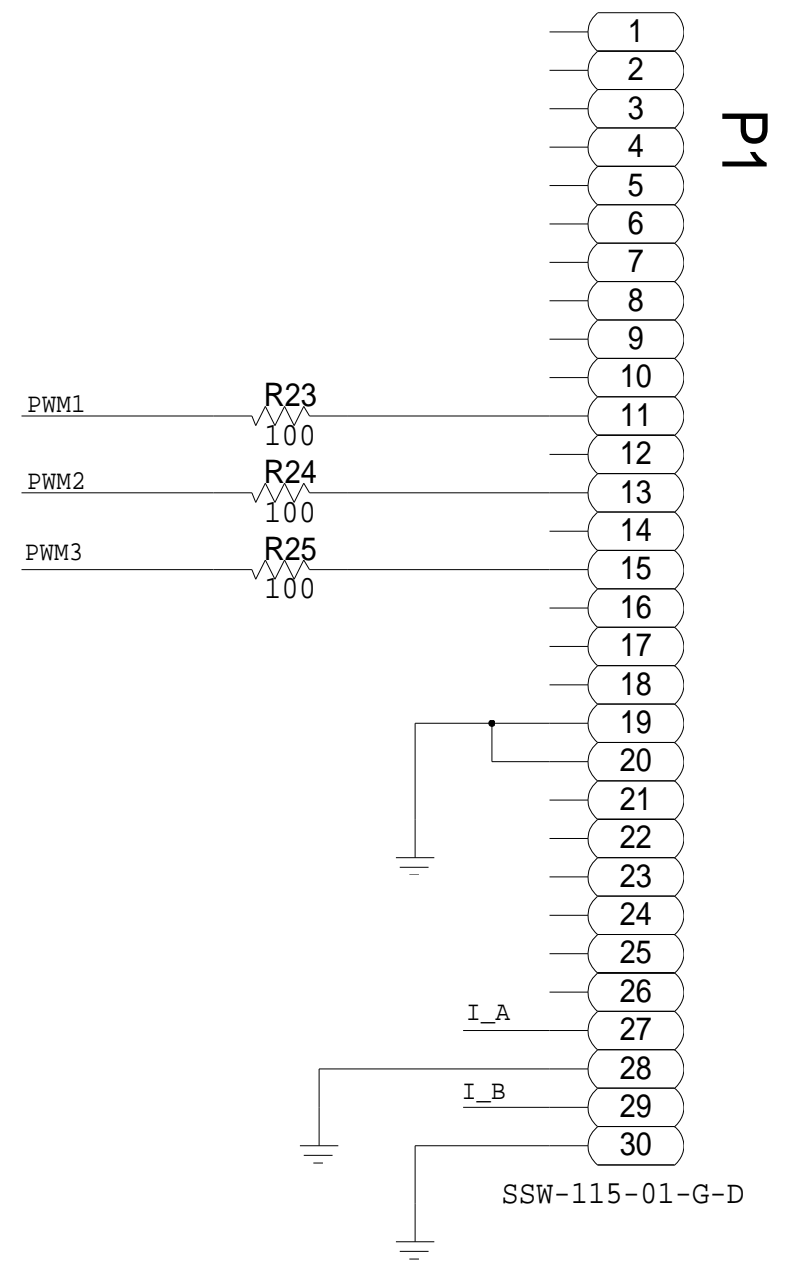
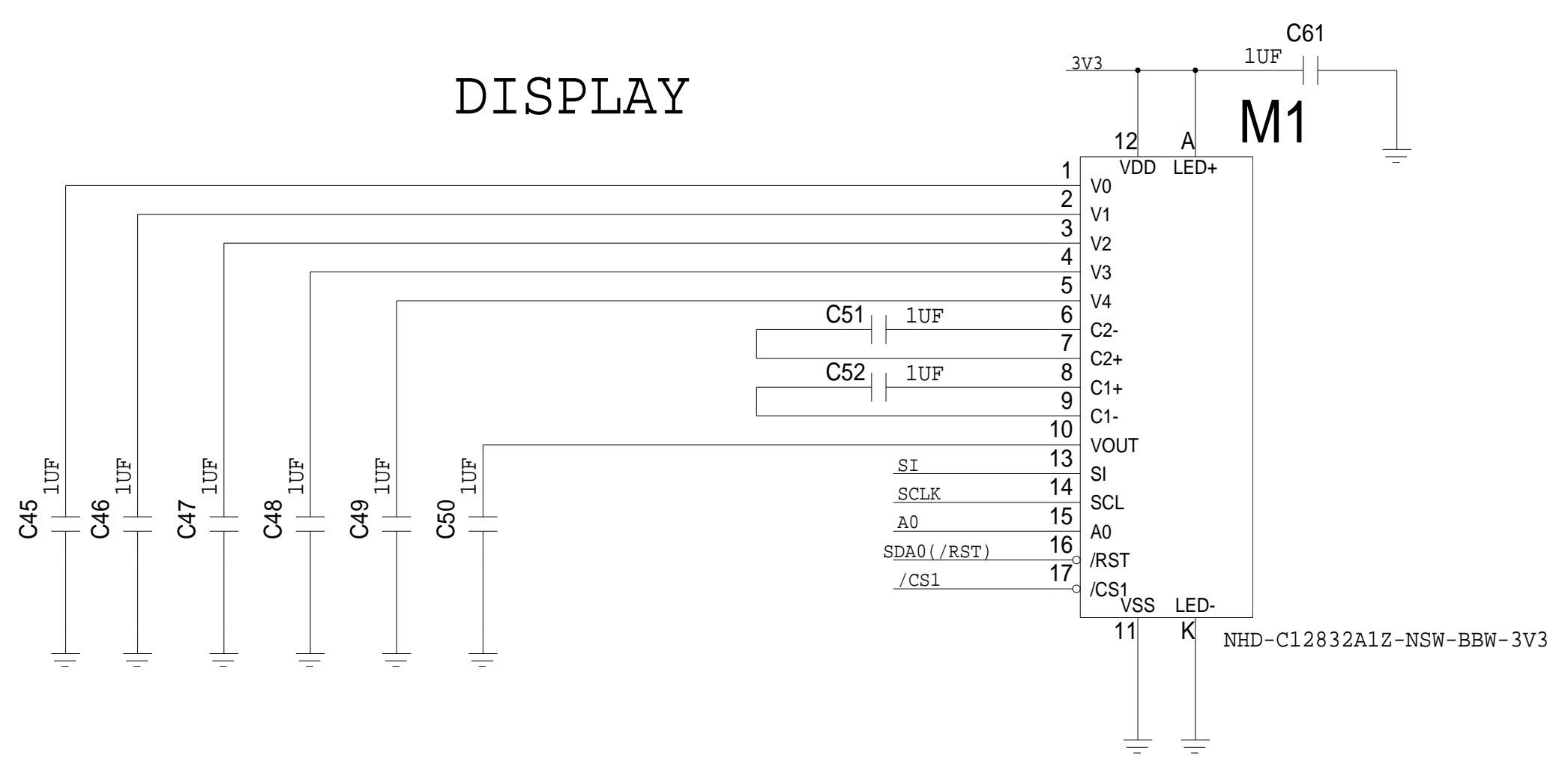
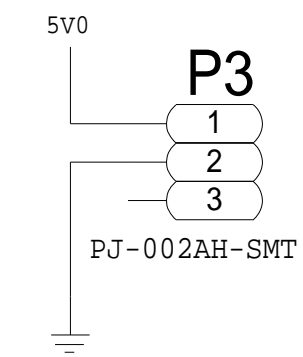


DISCOVERY CONNECTOR

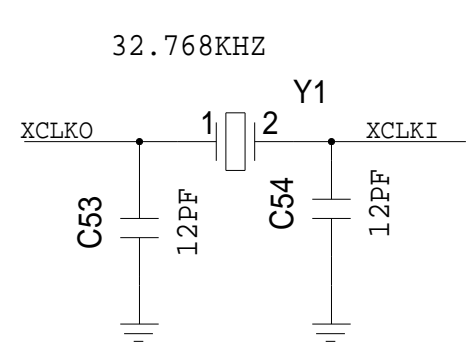
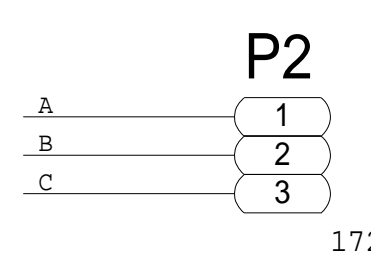
REVISIONS			
REV	DESCRIPTION	DATE	APPROVED



5V POWER CONNECTOR



MOTOR CONNECTOR



SCHEMATIC			
		HW TYPE : Customer Evaluation Product(s) : ADUC : none	
DESIGN VIEW <DESIGN_VIEW>	DRAWING NO. 02_036879	REV B	
PTD ENGINEER A Cozma	SIZE 1:1	SHEET 3 OF 3	