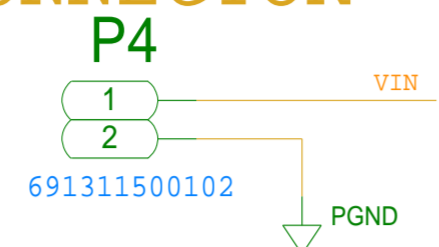




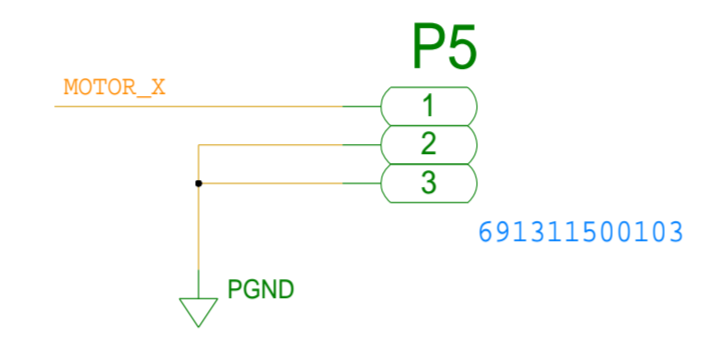
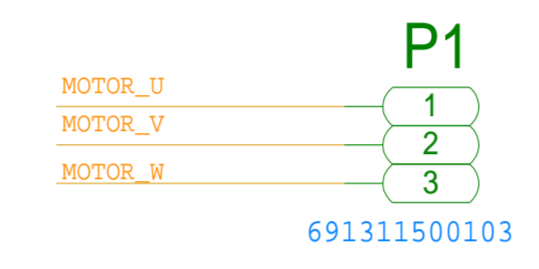
REVISIONS			
REV	DESCRIPTION	DATE	APPROVED

### PWR CONNECTOR

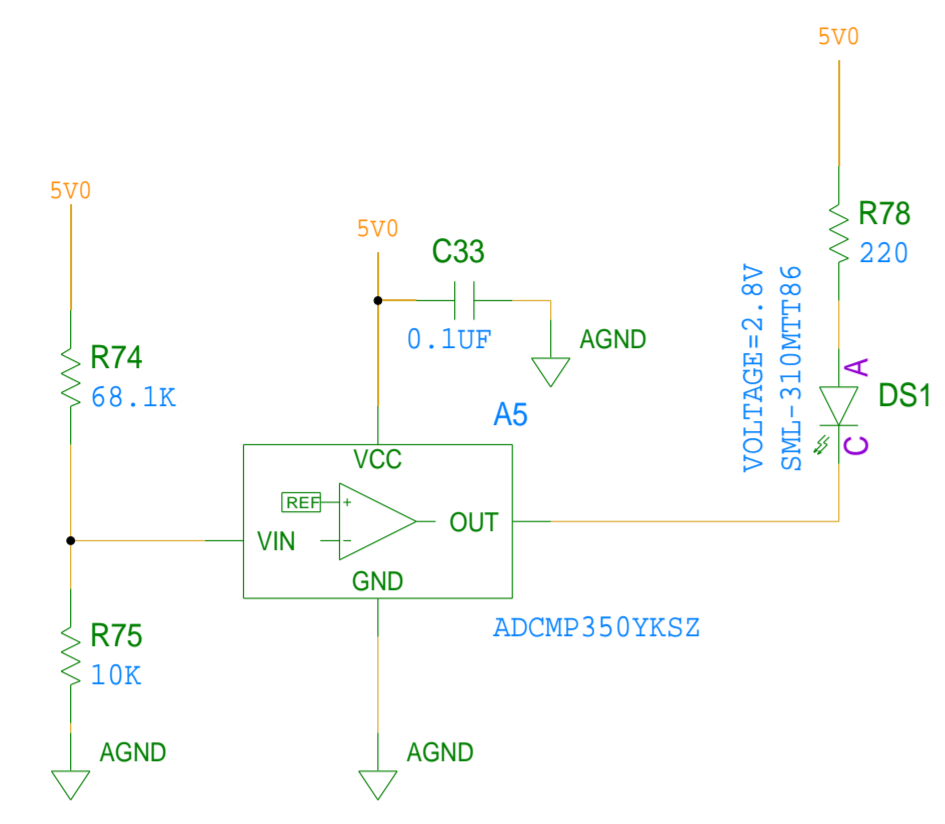
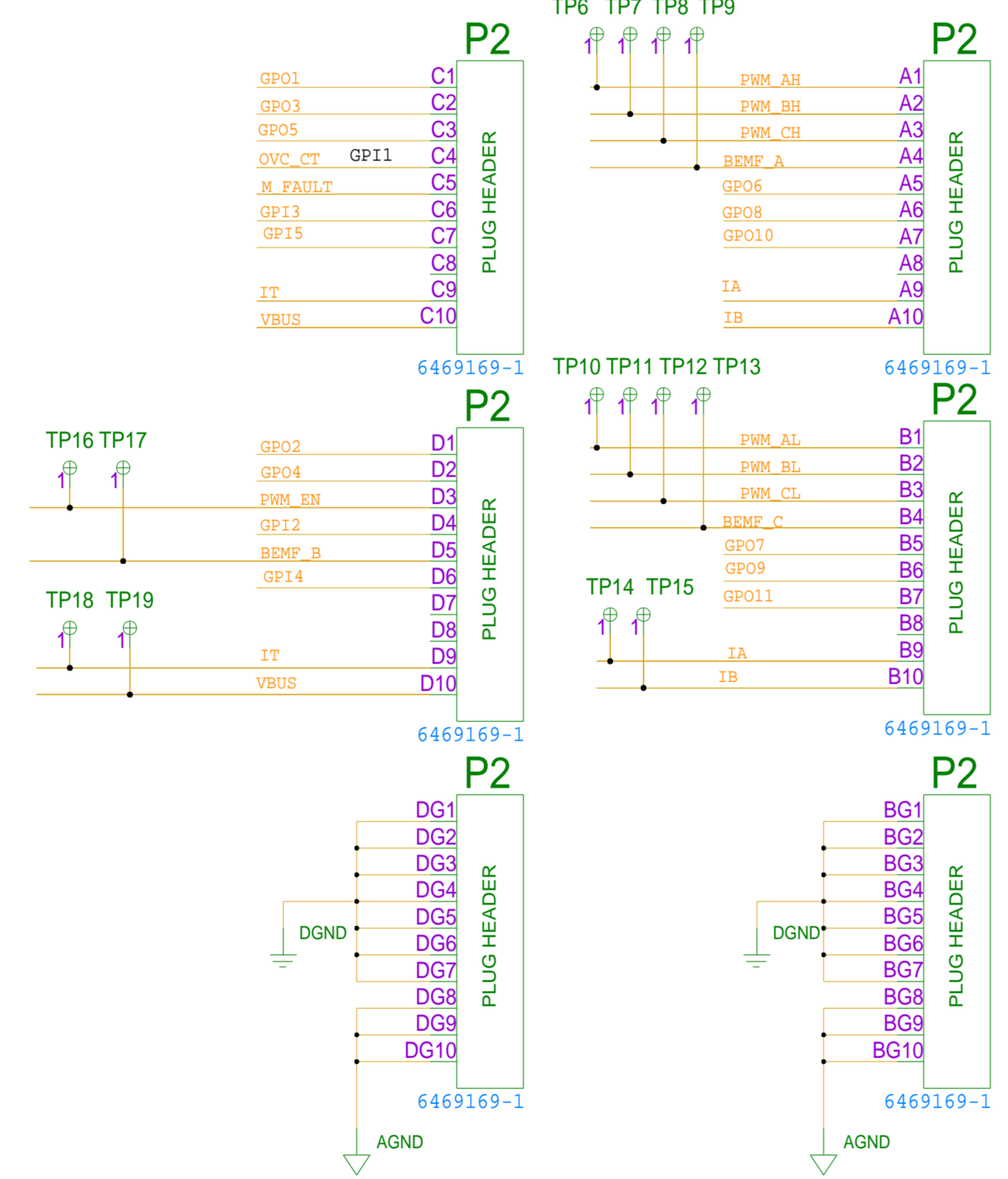


12 - 48 VDC

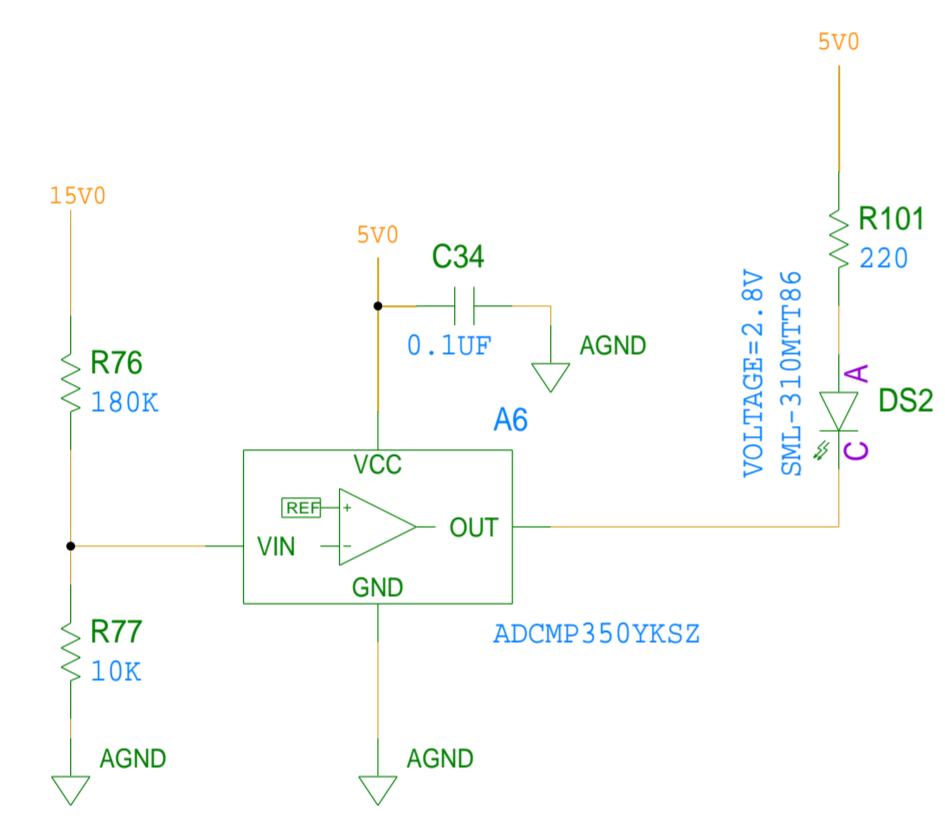
### MOTOR CONNECTOR



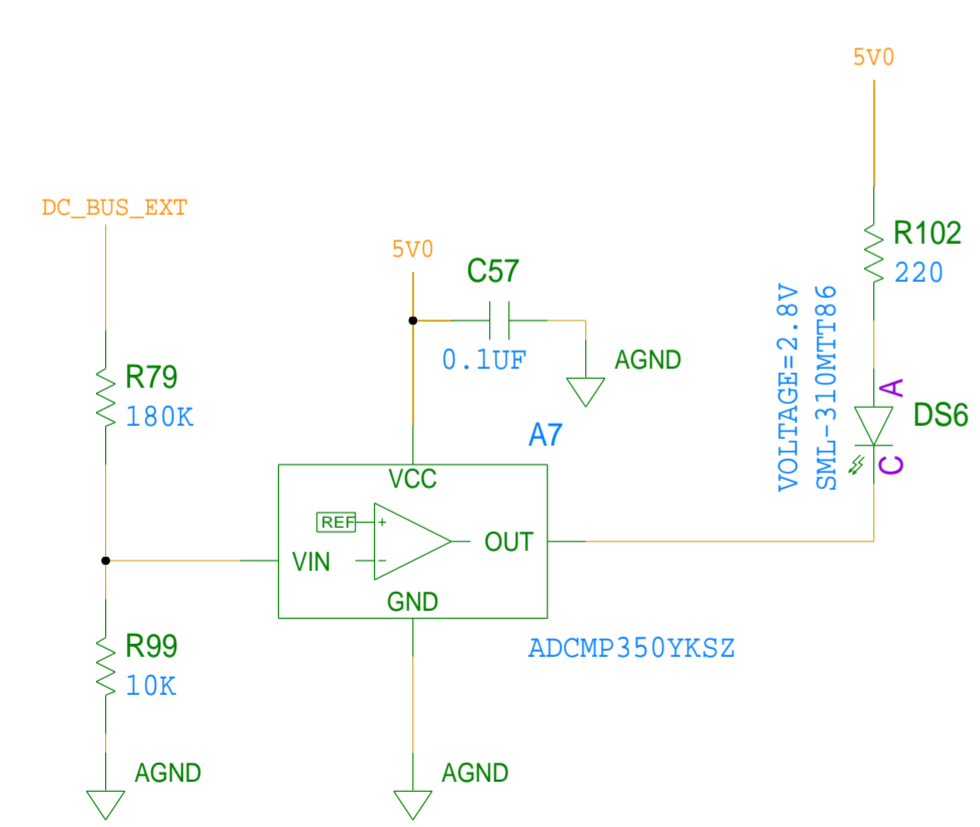
### ANALOG & DIGITAL CONNECTOR



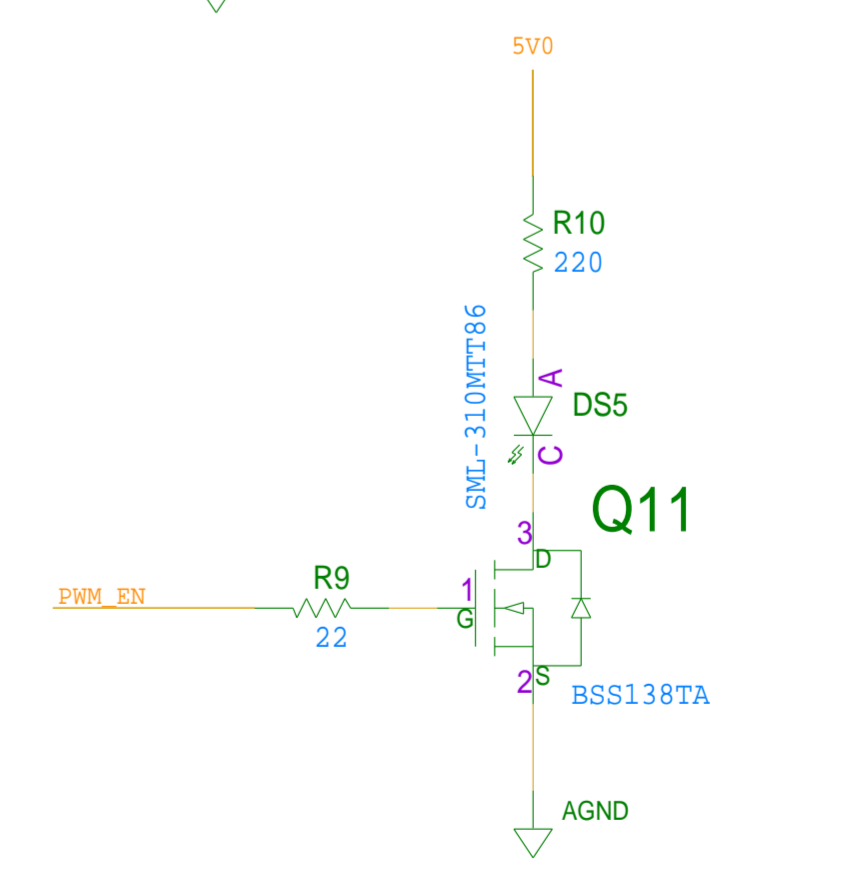
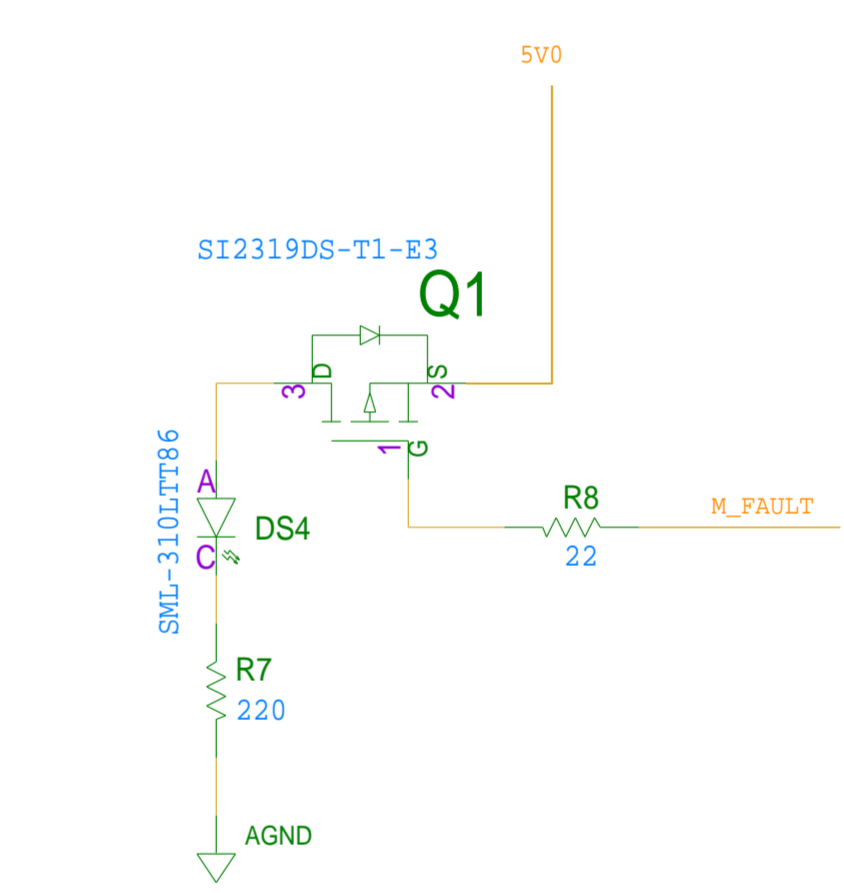
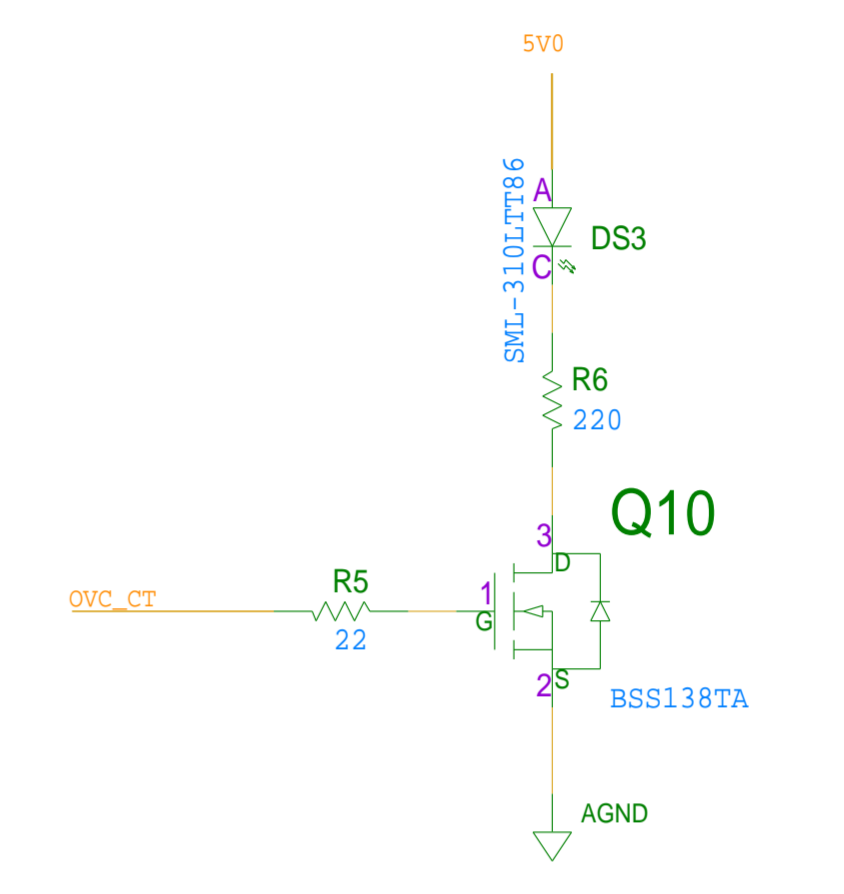
VADJ POWER GOOD  
ON @ 4V7



12V POWER GOOD  
ON @ 11V5



MOTOR VOLTAGE POWER GOOD  
ON @ 11V5



	<b>SCHEMATIC</b>		
	HW TYPE : CUSTOMER EVALUATION Product (s) : AD-DRVLV1-EBZ <PRODUCT_1>		
	DESIGN VIEW <DESIGN_VIEW>	DRAWING NO. 02_036683	REV B
	PTD ENGINEER A. COZMA ; M. BANCISOR	SIZE D	SCALE 1:1
SHEET 2 OF 6		SHEET 2 OF 6	

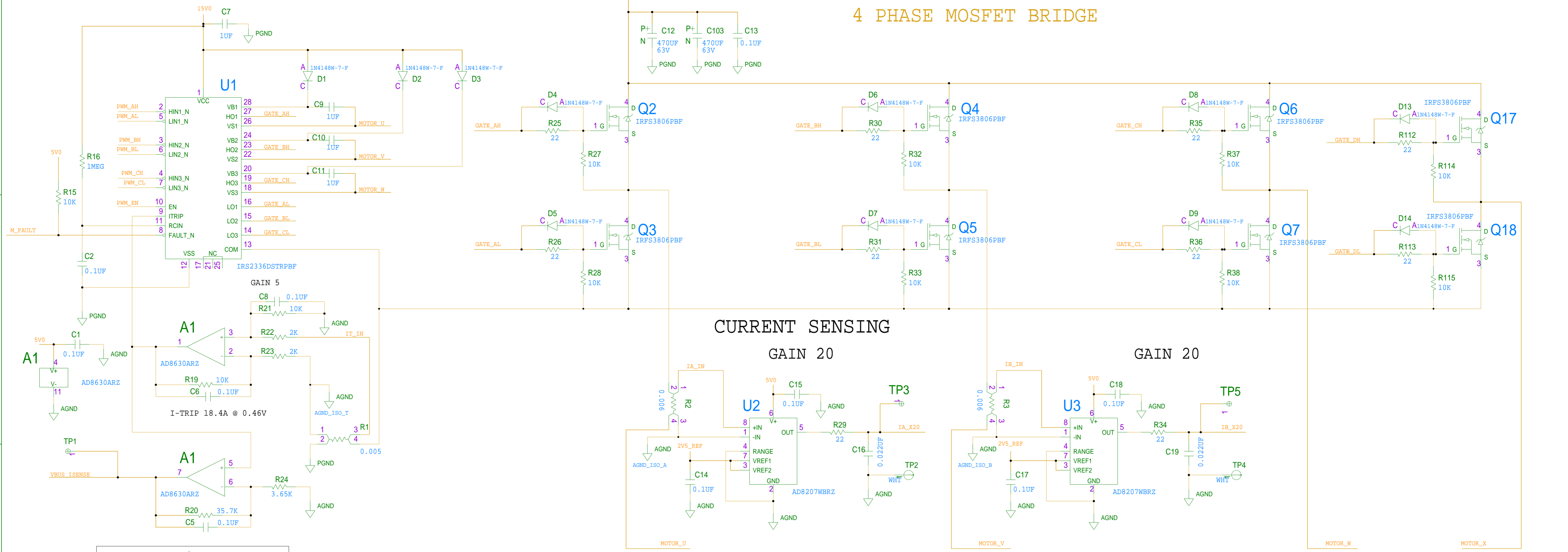
REVISIONS			
REV	DESCRIPTION	DATE	APPROVED

MOSFET DRIVER

4 PHASE MOSFET BRIDGE

CURRENT SENSING

MOSFET DRIVER



TOTAL CURRENT	OUTPUT VOLTAGE
0 -> 20.5A	0V -> 5V

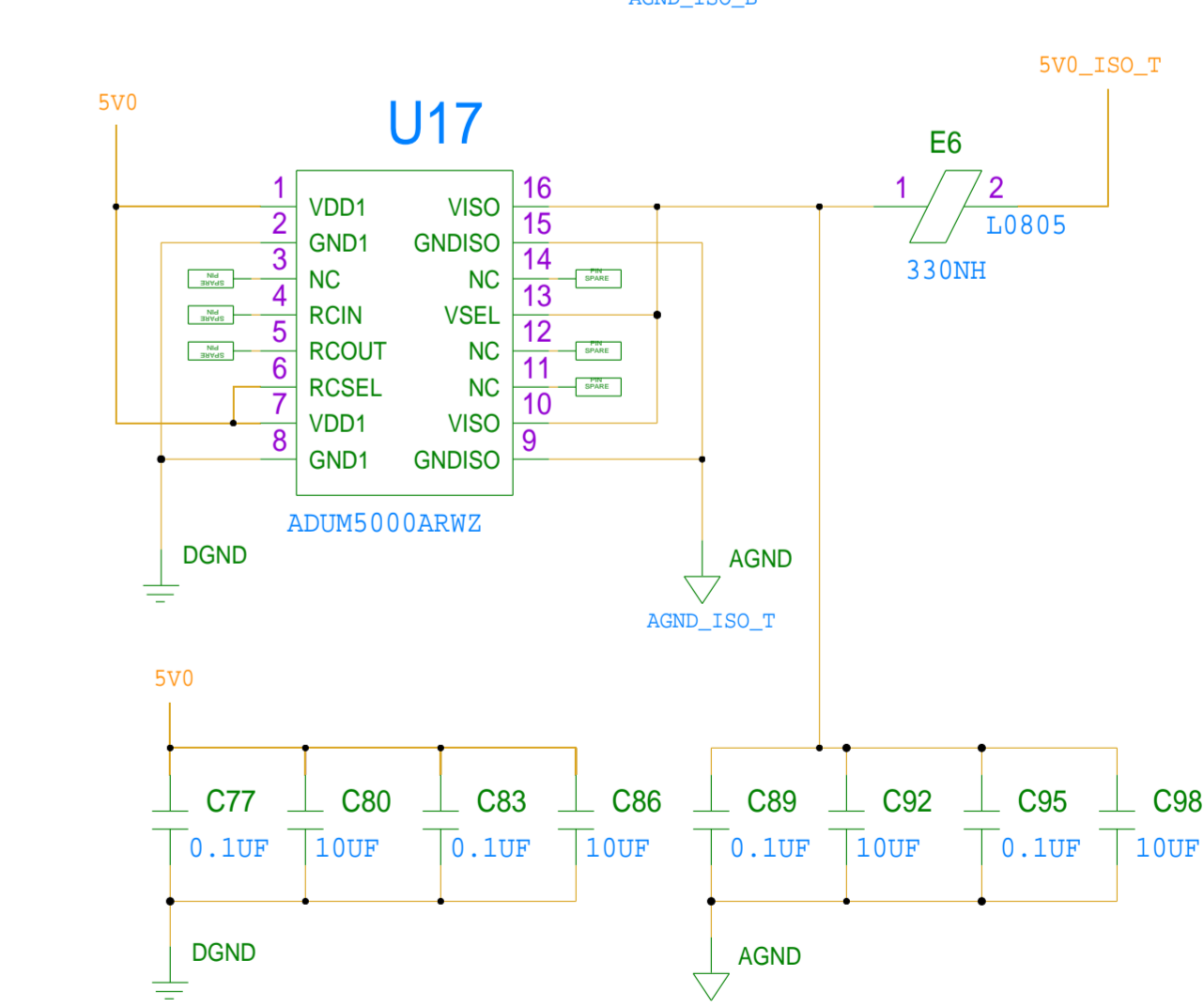
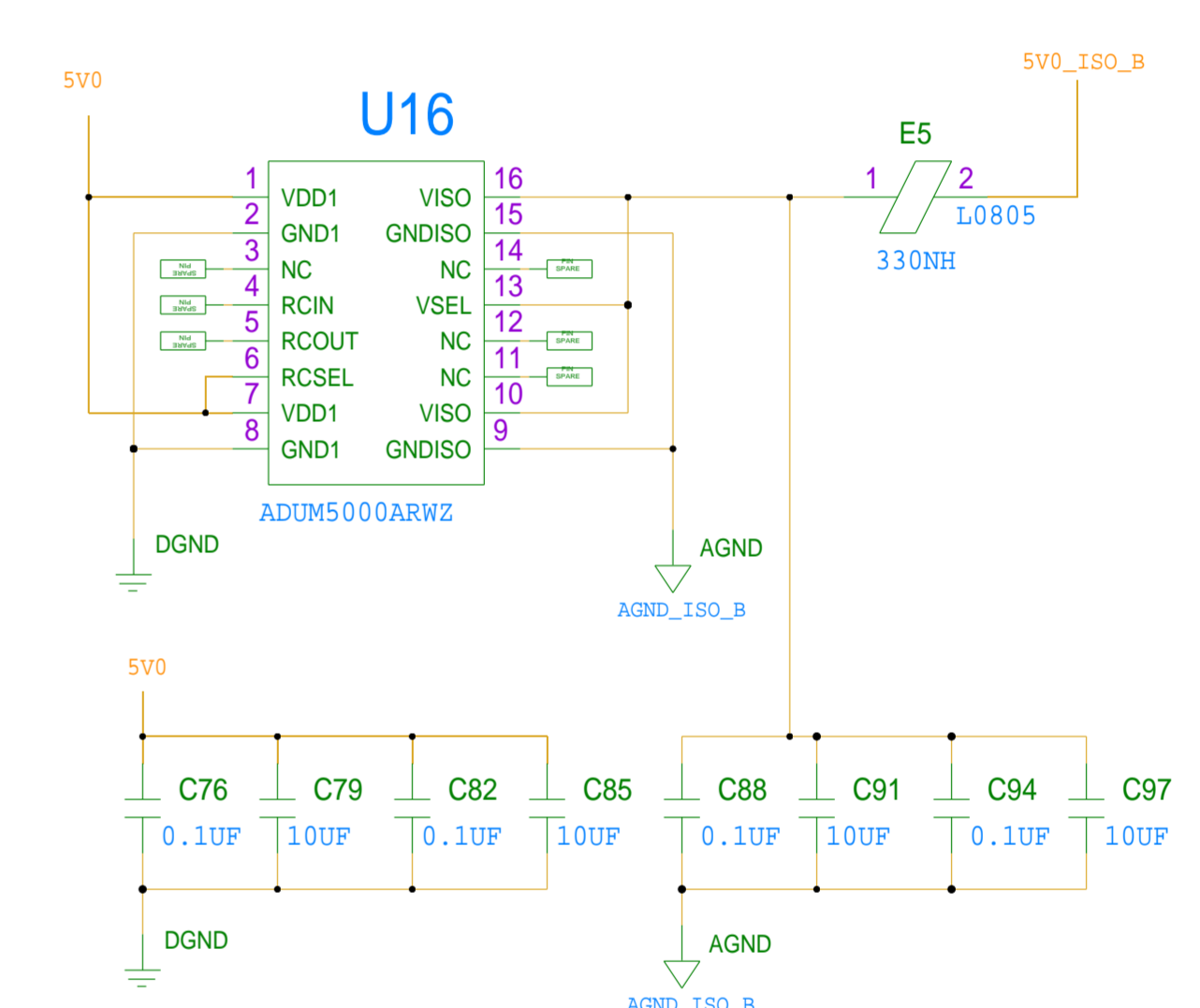
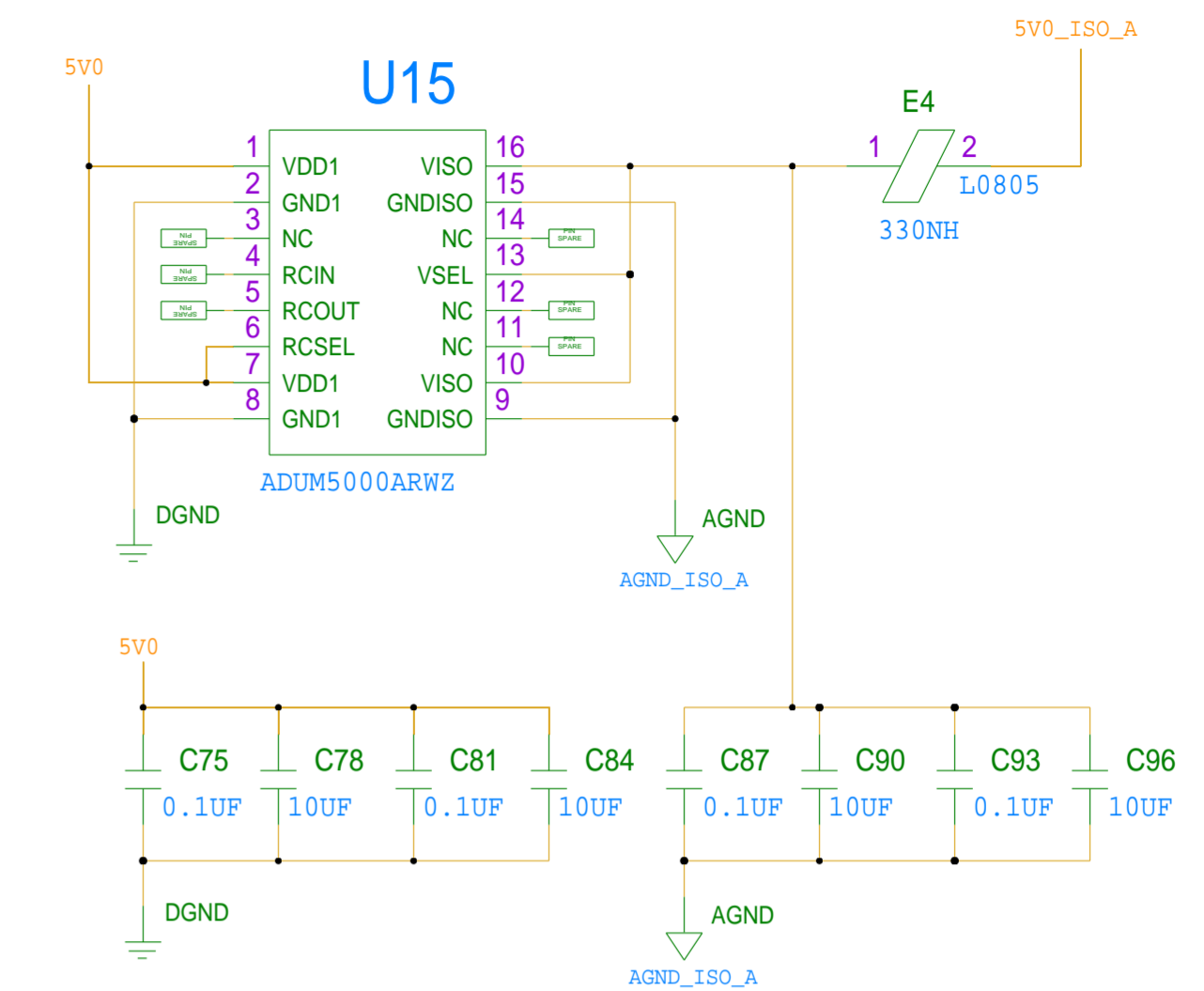
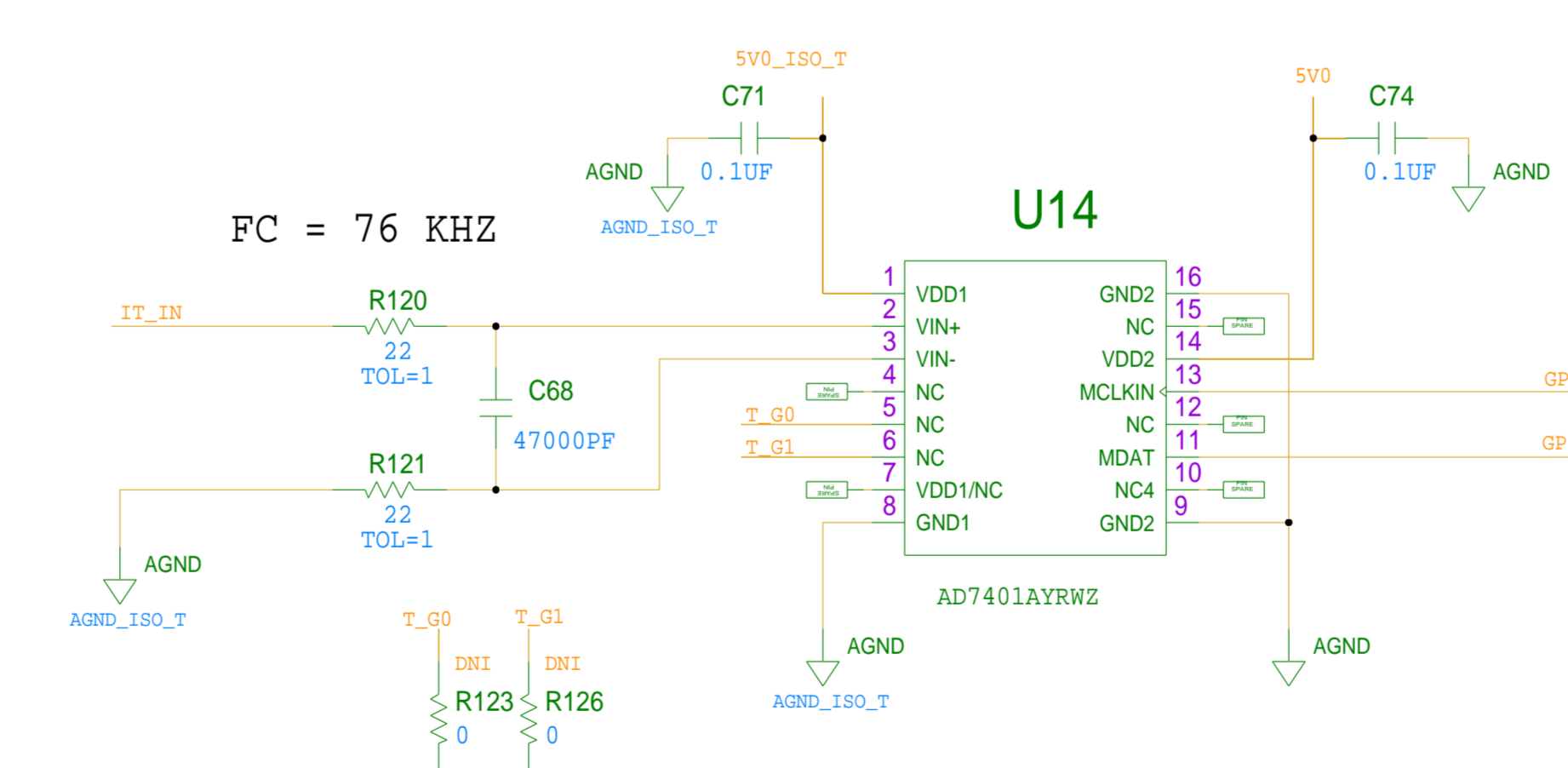
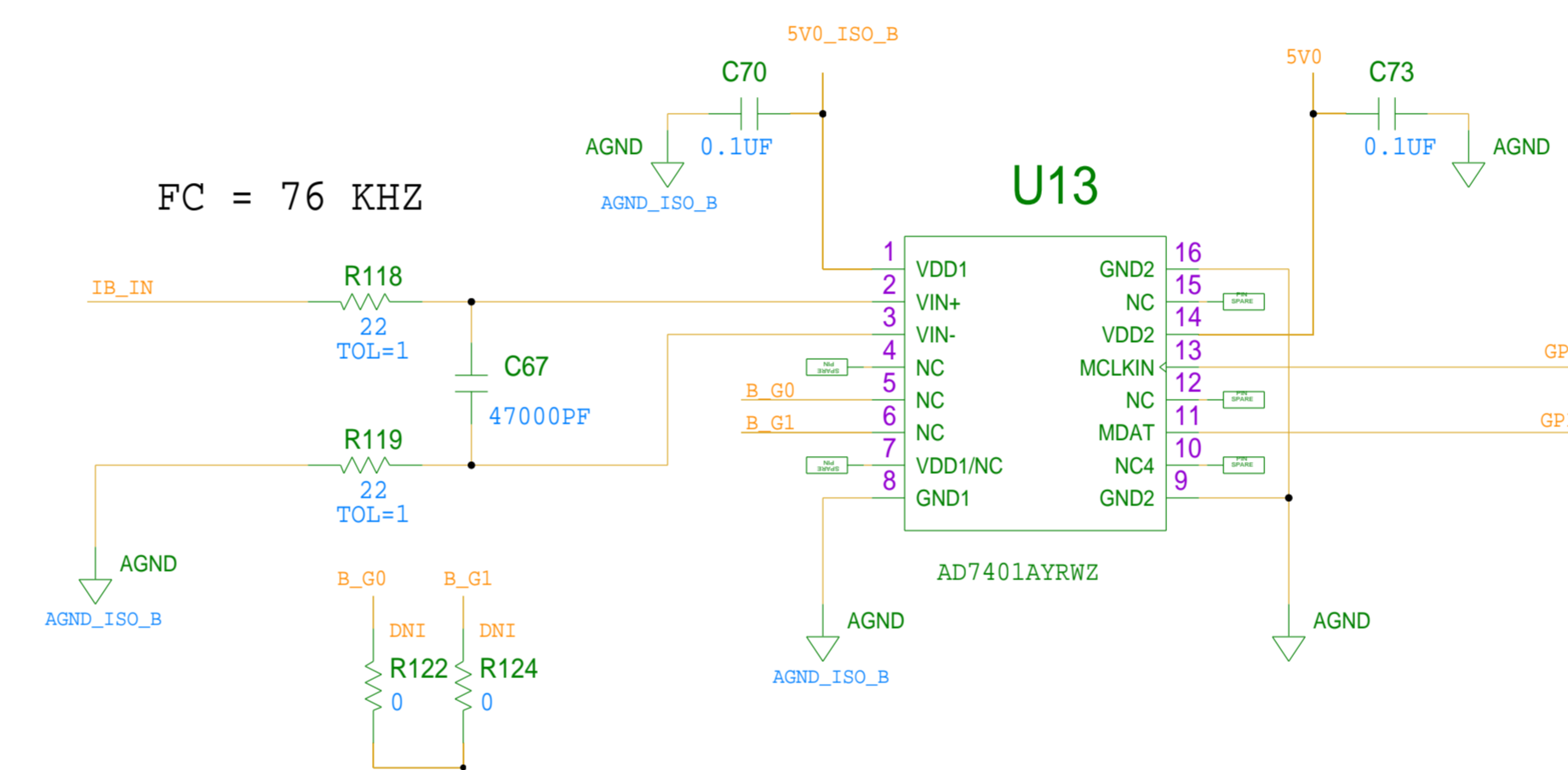
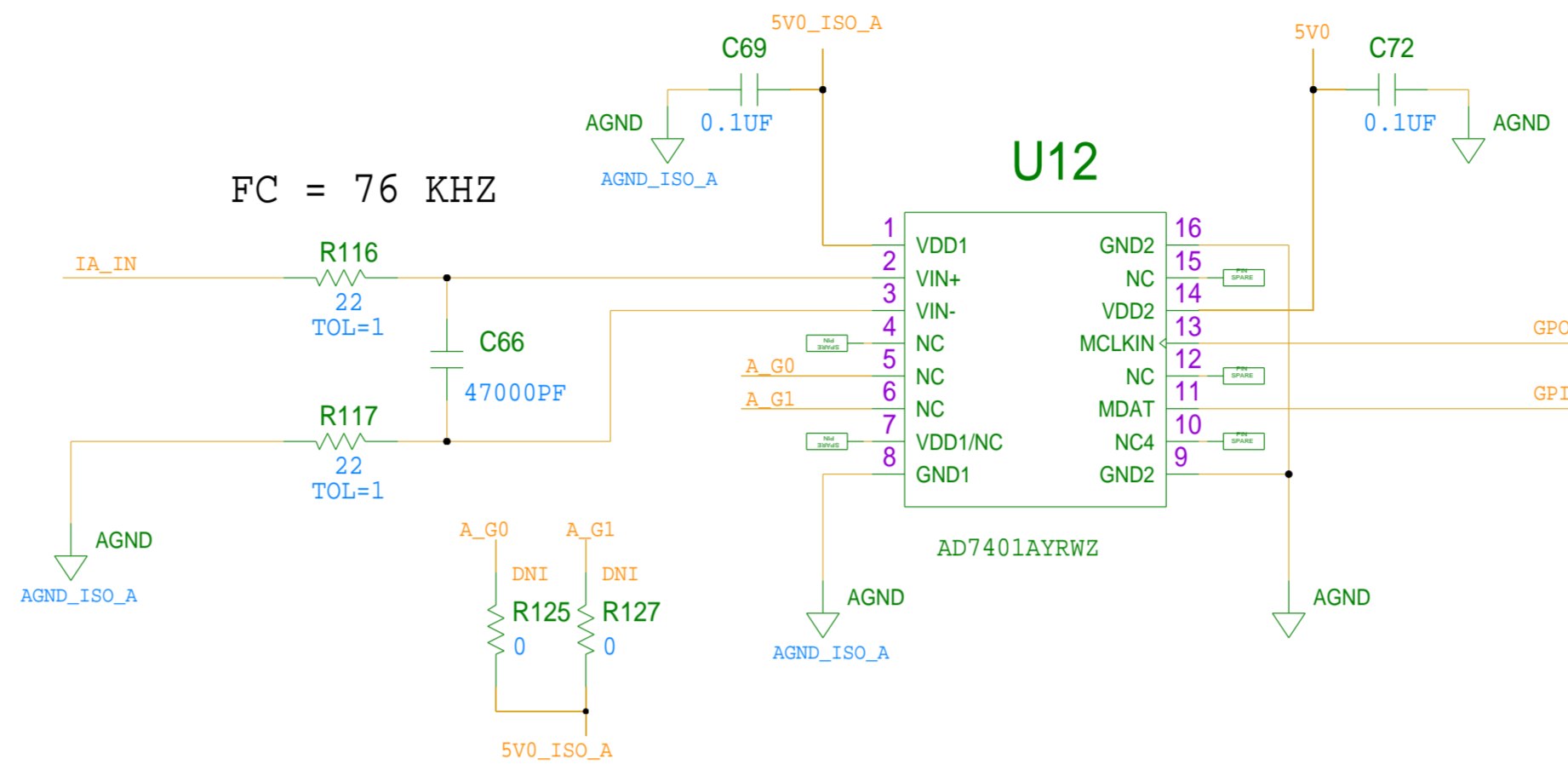
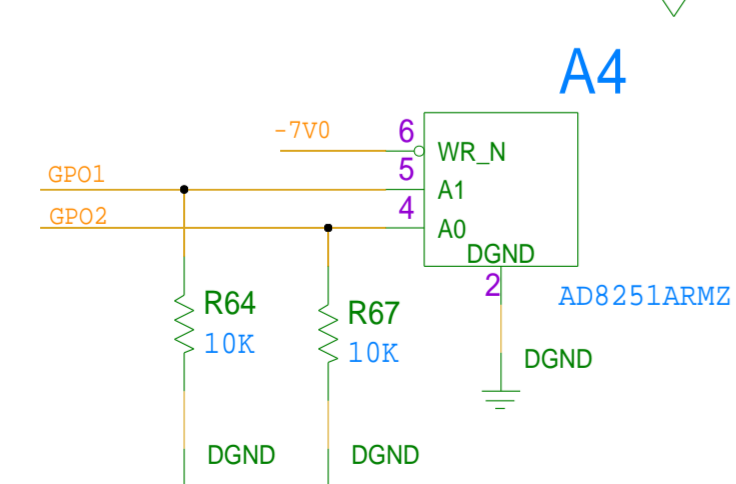
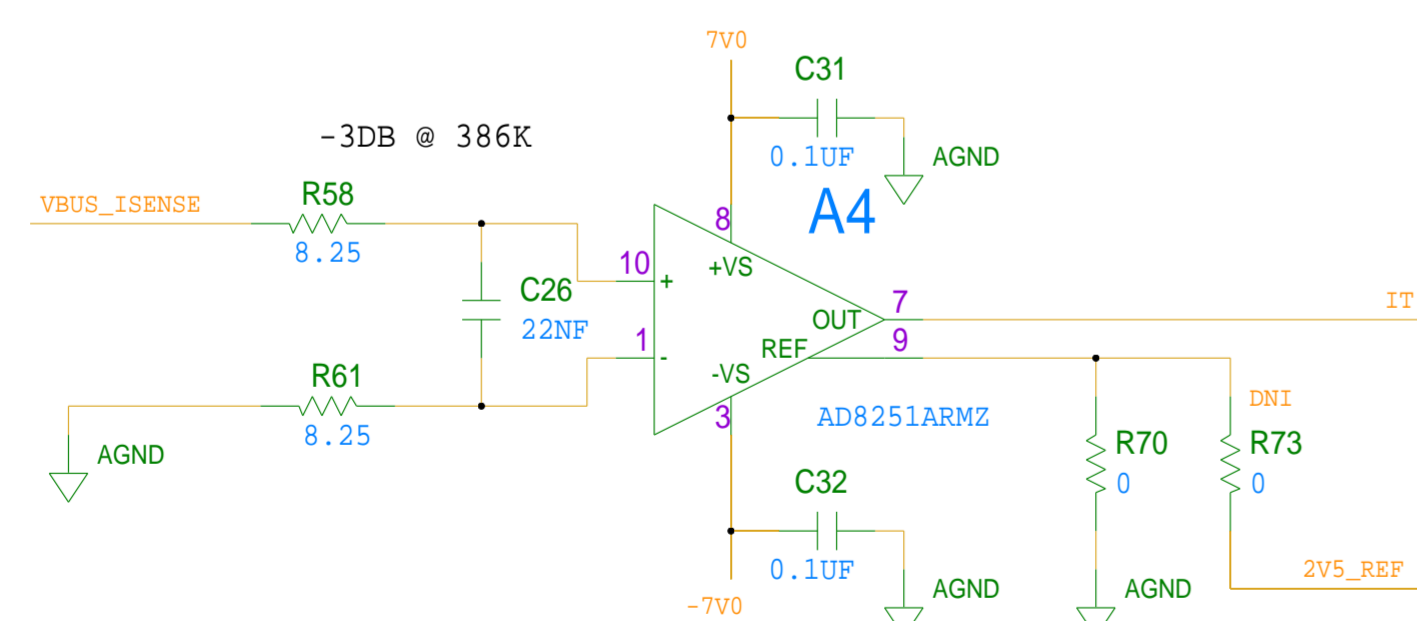
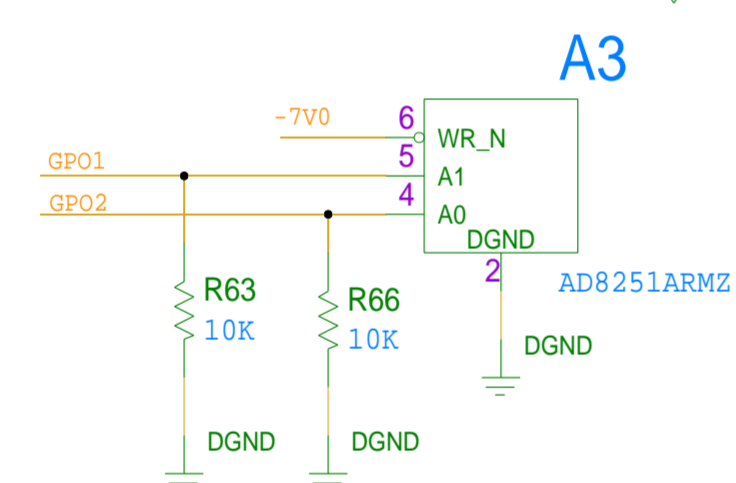
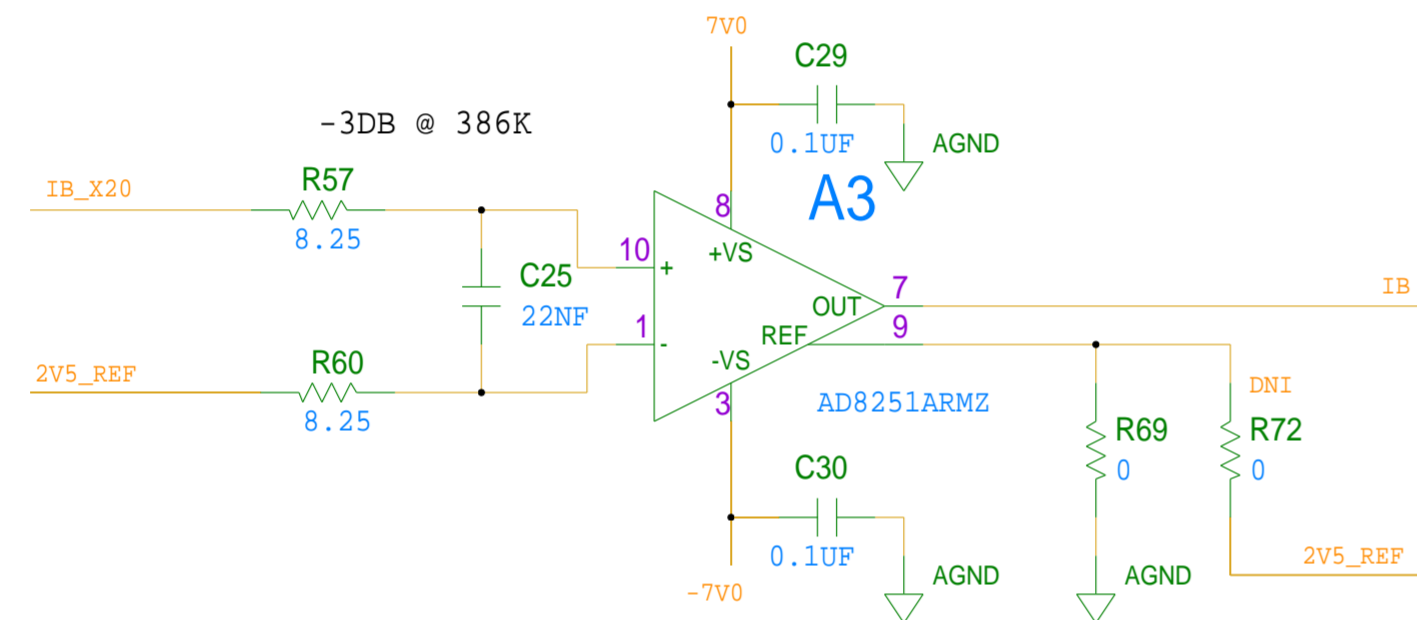
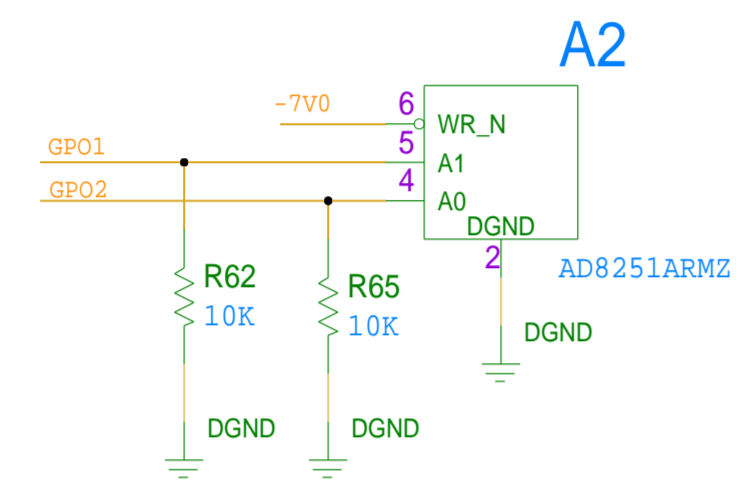
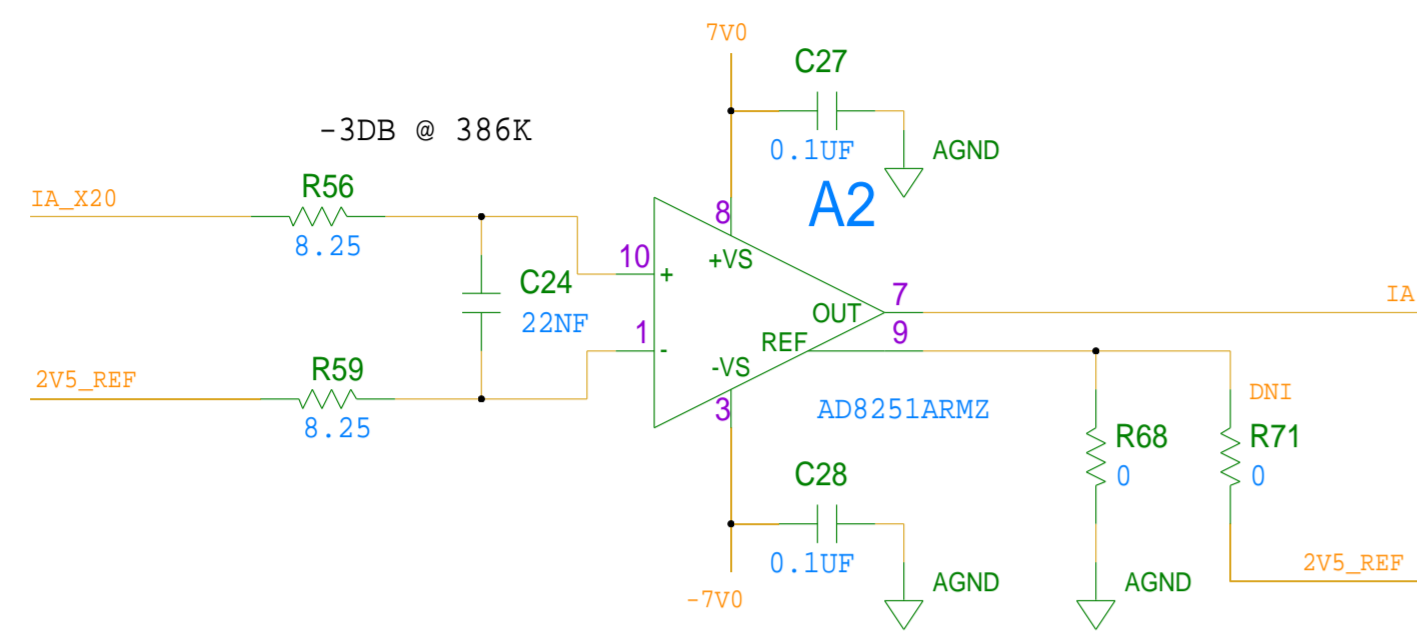
PHASE CURRENT	OUTPUT VOLTAGE
+/- 20.8A	0V -> 5V

GAIN 0.083  
60 V -> 5 V

<p>THIS DRAWING IS THE PROPERTY OF ANALOG DEVICES INC. IT IS NOT TO BE REPRODUCED OR COPIED, IN WHOLE OR IN PART, OR USED IN ANY OTHER PURPOSE DETRIMENTAL TO THE INTERESTS OF ANALOG DEVICES. THE EQUIPMENT SHOWN HEREIN MAY BE PROTECTED BY PATENTS OWNED OR CONTROLLED BY ANALOG DEVICES.</p>	<b>SCHEMATIC</b>		
	HW TYPE : CUSTOMER EVALUATION Product (s) : AD-DRVLV1-EBZ <PRODUCT_1>		
	DESIGN VIEW <DESIGN_VIEW>	DRAWING NO. 02_036683	REV B
	PTD ENGINEER A. COZMA ; M. BANCISOR	SIZE D	SCALE 1:1
		SHEET 3 OF 6	

# PROGRAMMABLE GAIN AMPLIFIERS

REVISIONS			
REV	DESCRIPTION	DATE	APPROVED



SHEETS			
REV	DESCRIPTION	DATE	APPROVED

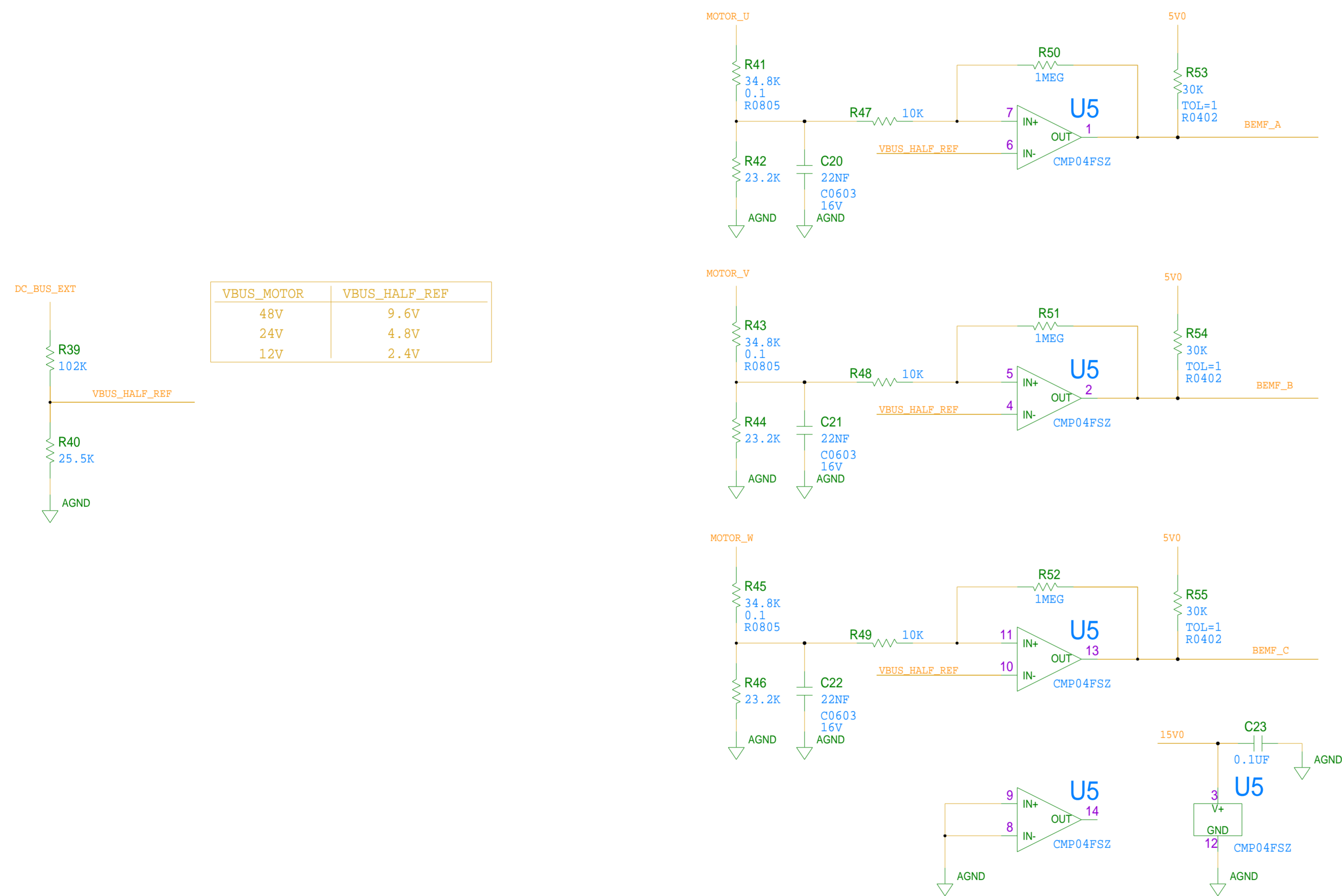
  

ANALOG DEVICES		SCHEMATIC	
HW TYPE : CUSTOMER EVALUATION			
Product (s) : AD-DRVLV1-EBZ			
<PRODUCT_1>			
DESIGN VIEW	DRAWING NO.		REV
<DESIGN_VIEW>	02_036683		B
PTD ENGINEER	SIZE	SCALE	SHEET 4 OF 6
A. COZMA ; M.BANCISOR	D	1:1	

REVISIONS			
REV	DESCRIPTION	DATE	APPROVED

### BEMF SENSE

MOTOR_BEMF	COMP_INPUT
24V	9.6V
12V	4.8V
6V	2.4V
-3DB ~ 500HZ	

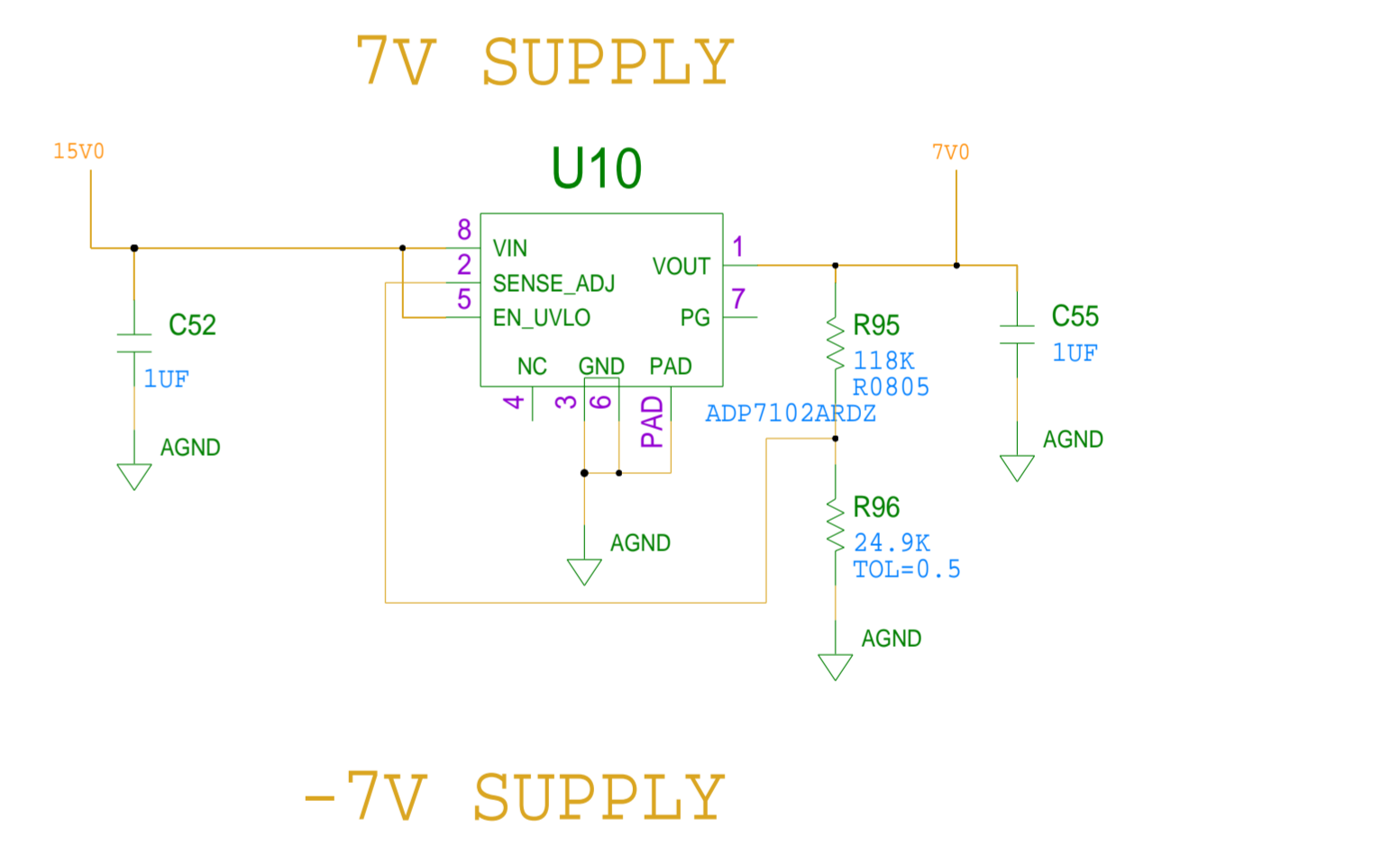
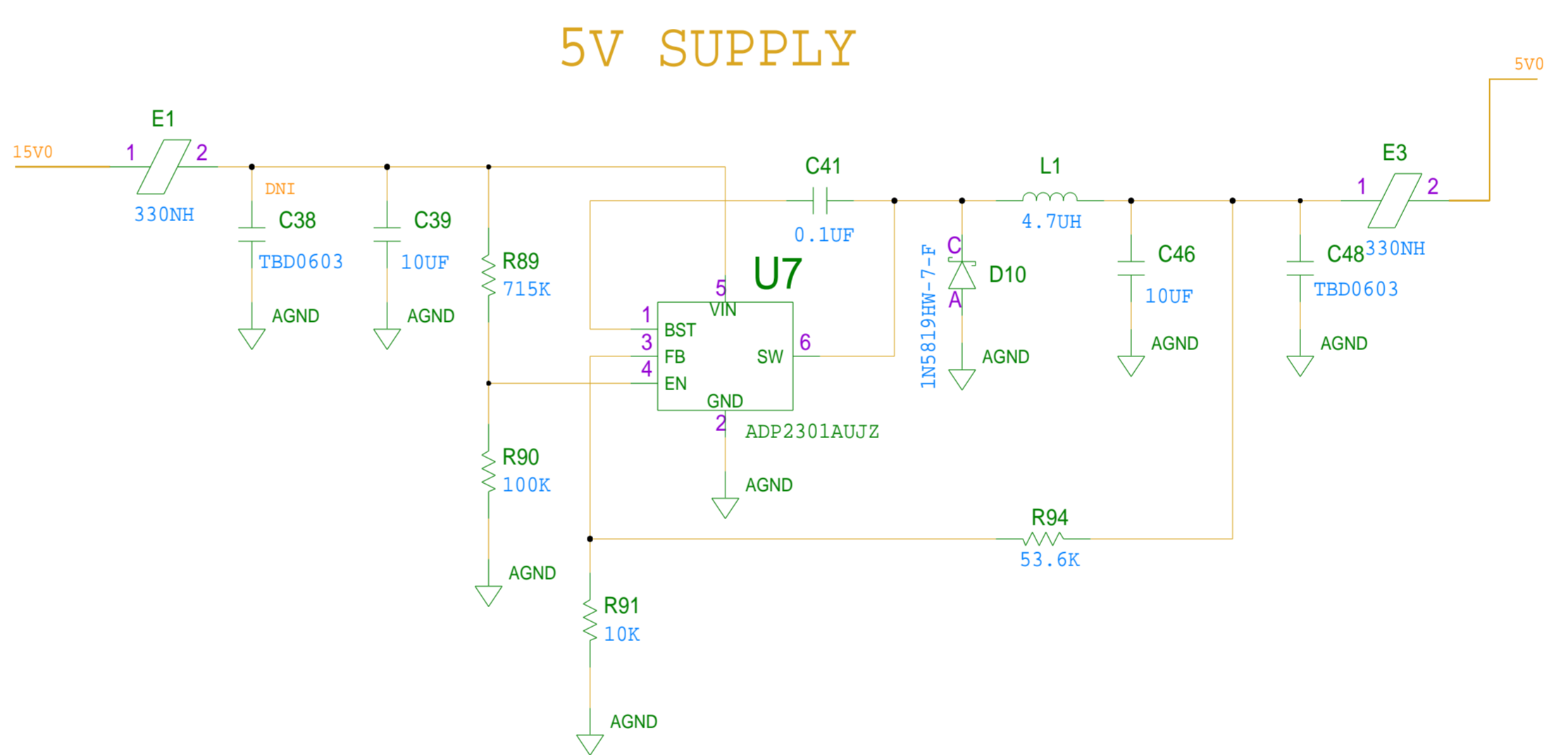
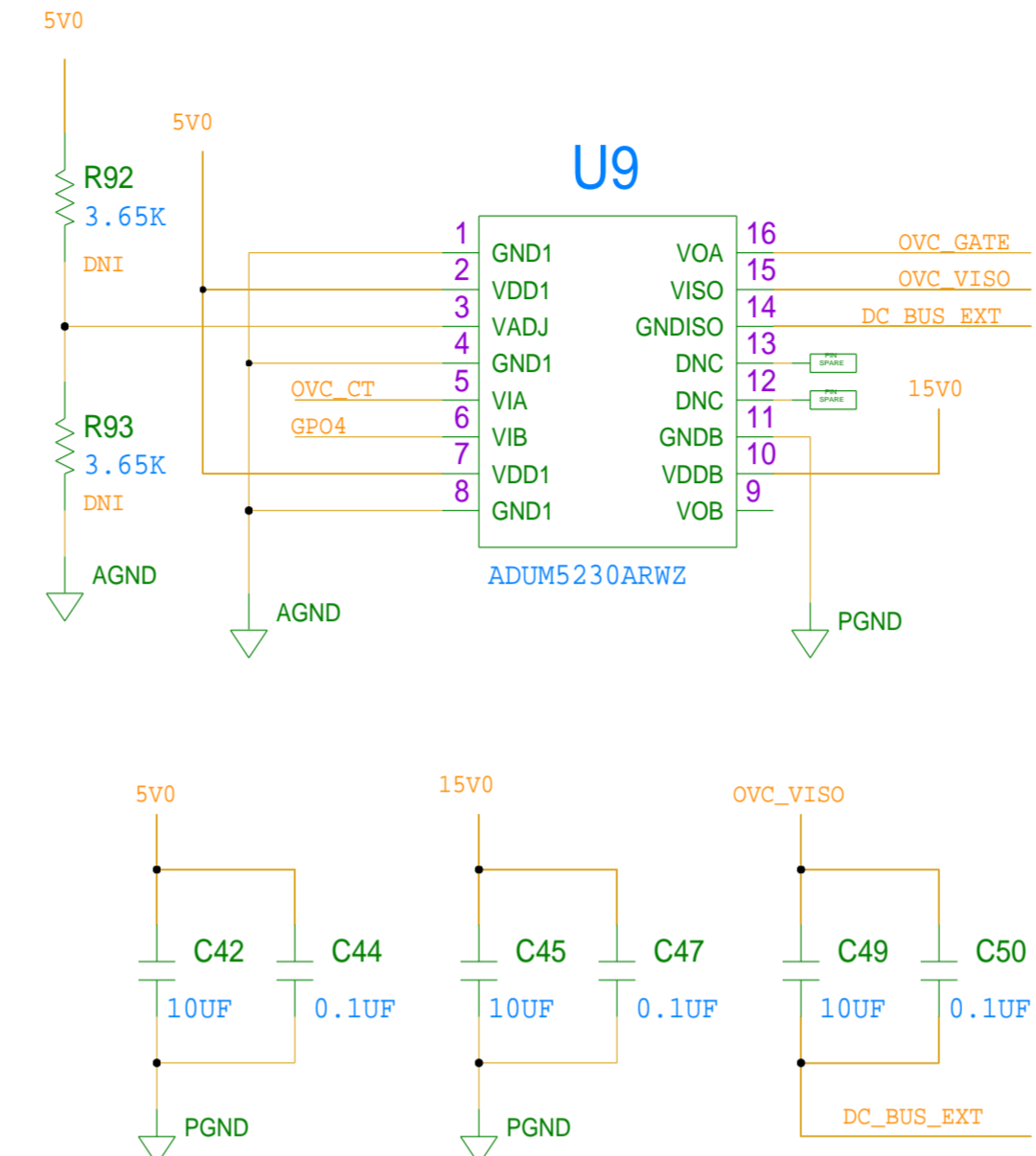
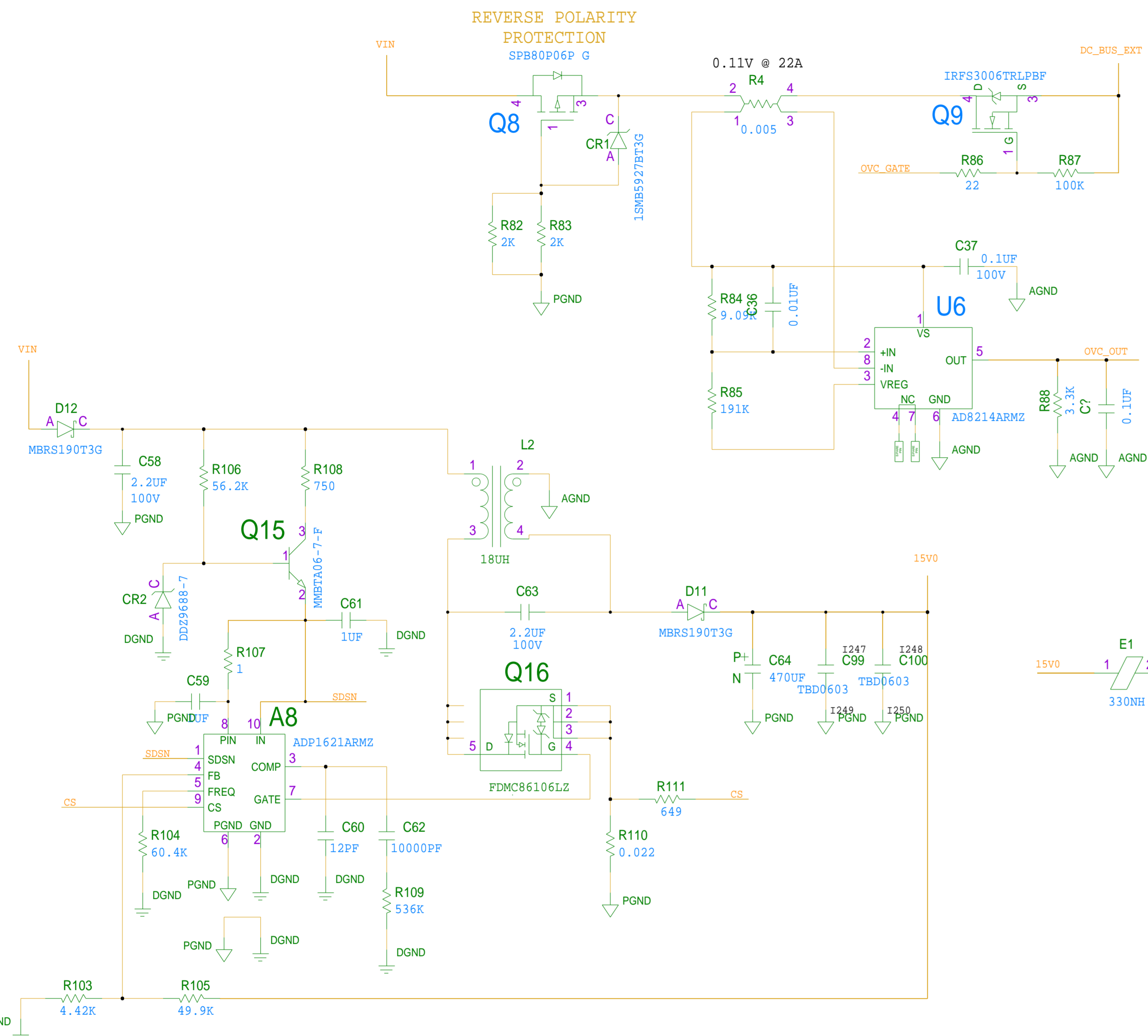


VBUS_MOTOR	VBUS_HALF_REF
48V	9.6V
24V	4.8V
12V	2.4V

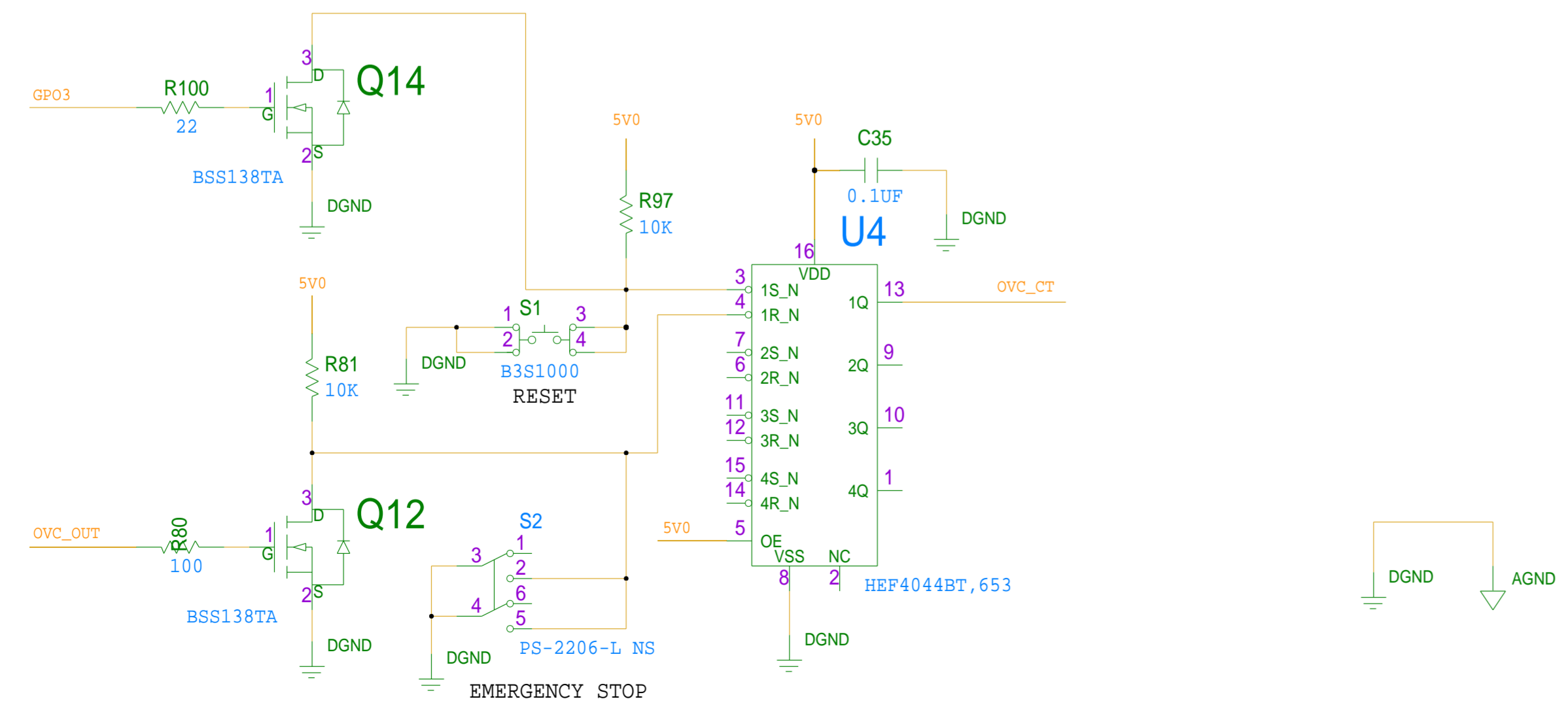
	<b>SCHEMATIC</b>		
	HW TYPE : CUSTOMER EVALUATION Product (s) : AD-DRVLV1-EBZ <PRODUCT_1>		
	DESIGN VIEW <DESIGN_VIEW>	DRAWING NO. 02_036683	REV B
	PTD ENGINEER A. COZMA ; M.BANCISOR	SIZE D	SCALE 1:1
SHEET 5 OF 6		SHEET 5 OF 6	

REVISIONS			
REV	DESCRIPTION	DATE	APPROVED

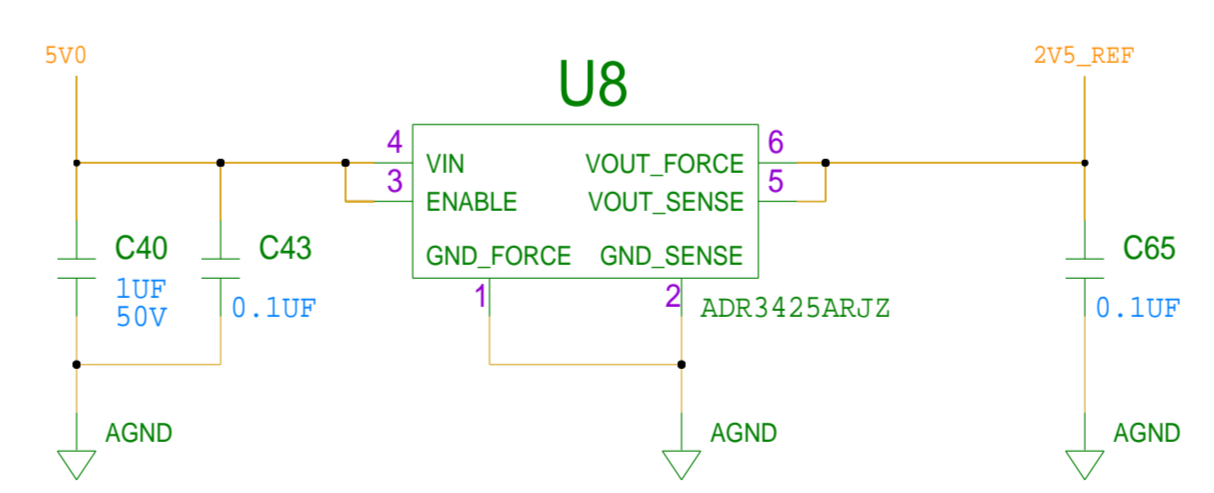
## OVER-CURRENT PROTECTION



## LATCHING OVC FAULT



## 2V5 REFERENCE



ANALOG DEVICES		SCHEMATIC		
<small>THIS DRAWING IS THE PROPERTY OF ANALOG DEVICES INC. IT IS NOT TO BE REPRODUCED OR COPIED IN WHOLE OR IN PART, OR USED IN ANY MANNER THAT WOULD BE DETRIMENTAL TO THE INTERESTS OF ANALOG DEVICES. THE EQUIPMENT SHOWN HEREIN MAY BE PROTECTED BY PATENTS OWNED OR CONTROLLED BY ANALOG DEVICES.</small>		HW TYPE : CUSTOMER EVALUATION Product (s) : AD-DRVLV1-EBZ <PRODUCT_1>		
DESIGN VIEW	<DESIGN_VIEW>	DRAWING NO.	02_036683	REV
PTD ENGINEER	A. COZMA ; M. BANCISOR	SIZE	D	SCALE
			1:1	SHEET 6 OF 6