

4

3

2

1

D

D

C

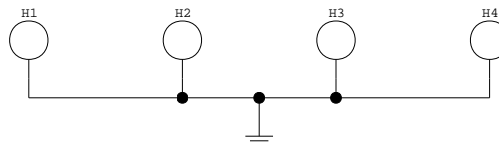
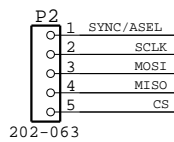
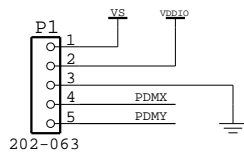
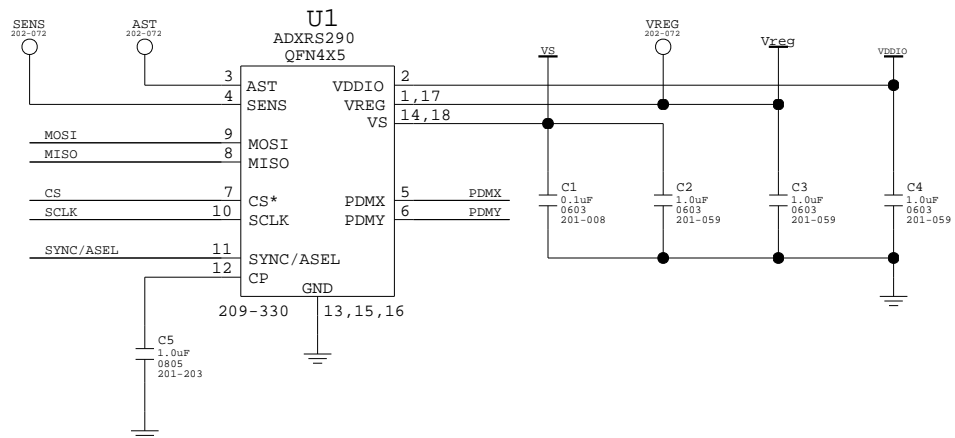
C

B

B

A

A



ANALOG DEVICES		
NAME: ADXRS290Z Evaluation Board		
Size A	CODE: 301-651	Rev:
DATE: 2014-10-14	Sheet: 1 of 1	

4

3

2

1