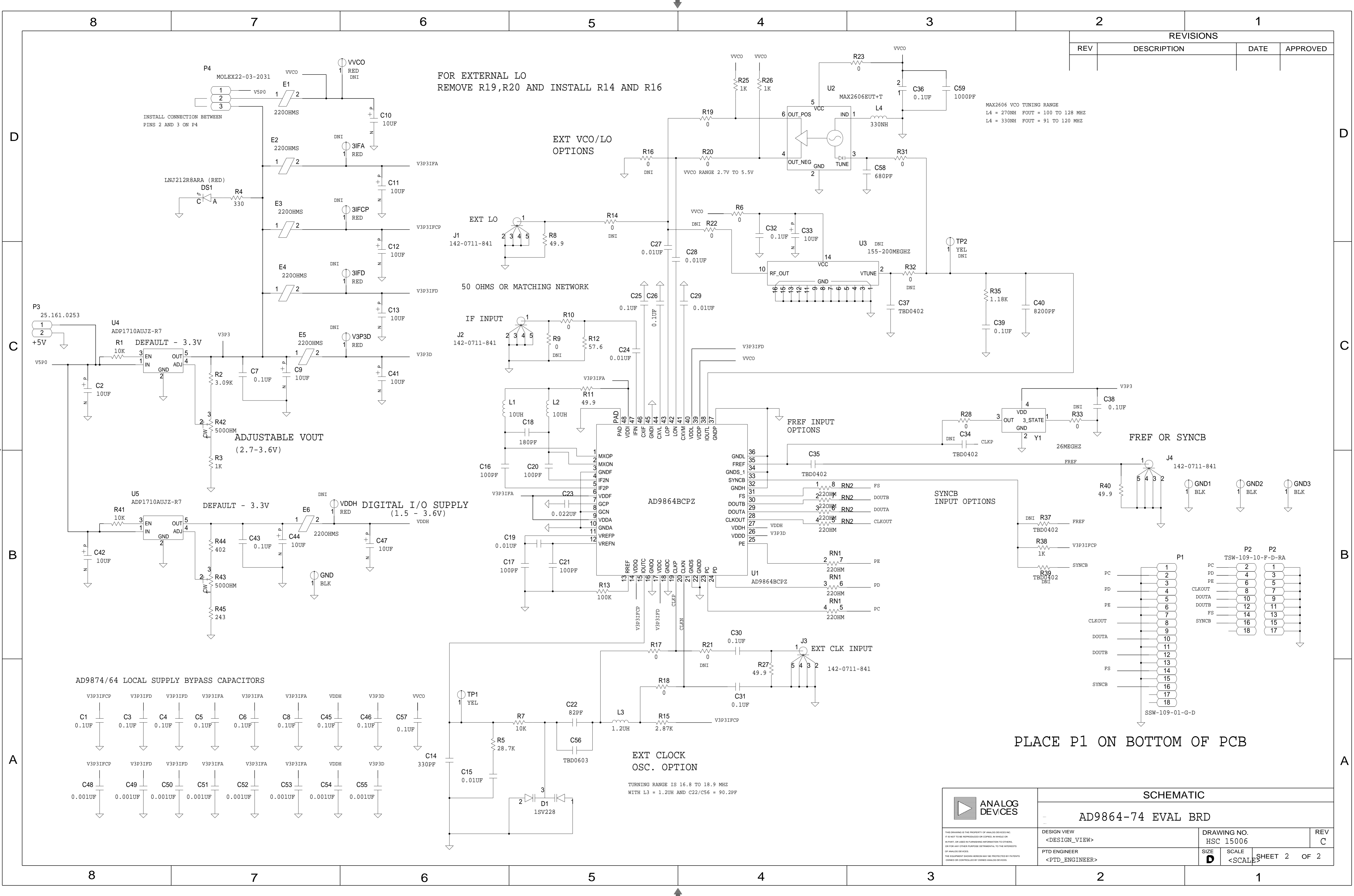


REVISIONS			
REV	DESCRIPTION	DATE	APPROVED



FOR EXTERNAL LO
REMOVE R19,R20 AND INSTALL R14 AND R16

EXT VCO/LO
OPTIONS

EXT LO
J1
142-0711-841

50 OHMS OR MATCHING NETWORK

IF INPUT
J2
142-0711-841

FREF INPUT
OPTIONS

SYNCB
INPUT OPTIONS

FREF OR
SYNCB

AD9864BQPZ

EXT CLOCK
OSC. OPTION

TURNING RANGE IS 16.8 TO 18.9 MHZ
WITH L3 = 1.2UH AND C22/C56 = 90.2PF

AD9874/64 LOCAL SUPPLY BYPASS CAPACITORS

V3P3IFCP	V3P3IFD	V3P3IFD	V3P3IFA	V3P3IFA	V3P3IFA	VDDH	V3P3D	VVCO
C1	C3	C4	C5	C6	C8	C45	C46	C57
0.1UF	0.1UF	0.1UF	0.1UF	0.1UF	0.1UF	0.1UF	0.1UF	0.1UF
V3P3IFCP	V3P3IFD	V3P3IFD	V3P3IFA	V3P3IFA	V3P3IFA	VDDH	V3P3D	
C48	C49	C50	C51	C52	C53	C54	C55	
0.001UF	0.001UF	0.001UF	0.001UF	0.001UF	0.001UF	0.001UF	0.001UF	

PLACE P1 ON BOTTOM OF PCB

SCHEMATIC			
AD9864-74 EVAL BRD			
DESIGN VIEW <DESIGN_VIEW>	DRAWING NO. HSC 15006	REV C	
PTD ENGINEER <PTD_ENGINEER>	SCALE <SCALE>	SHEET 2 OF 2	