

THIS DRAWING IS THE PROPERTY OF ANALOG DEVICES INC. IT IS NOT TO BE REPRODUCED OR COPIED, IN WHOLE OR IN PART, OR USED IN FURNISHING INFORMATION TO OTHERS, OR FOR ANY OTHER PURPOSE DETRIMENTAL TO THE INTERESTS OF ANALOG DEVICES. THE EQUIPMENT SHOWN HEREON MAY BE PROTECTED BY PATENTS OWNED OR CONTROLLED BY ANALOG DEVICES.

RELAY CONTROL CHART


CONTROL	CODE	DEVICE	FUNCTION	CONNECTOR

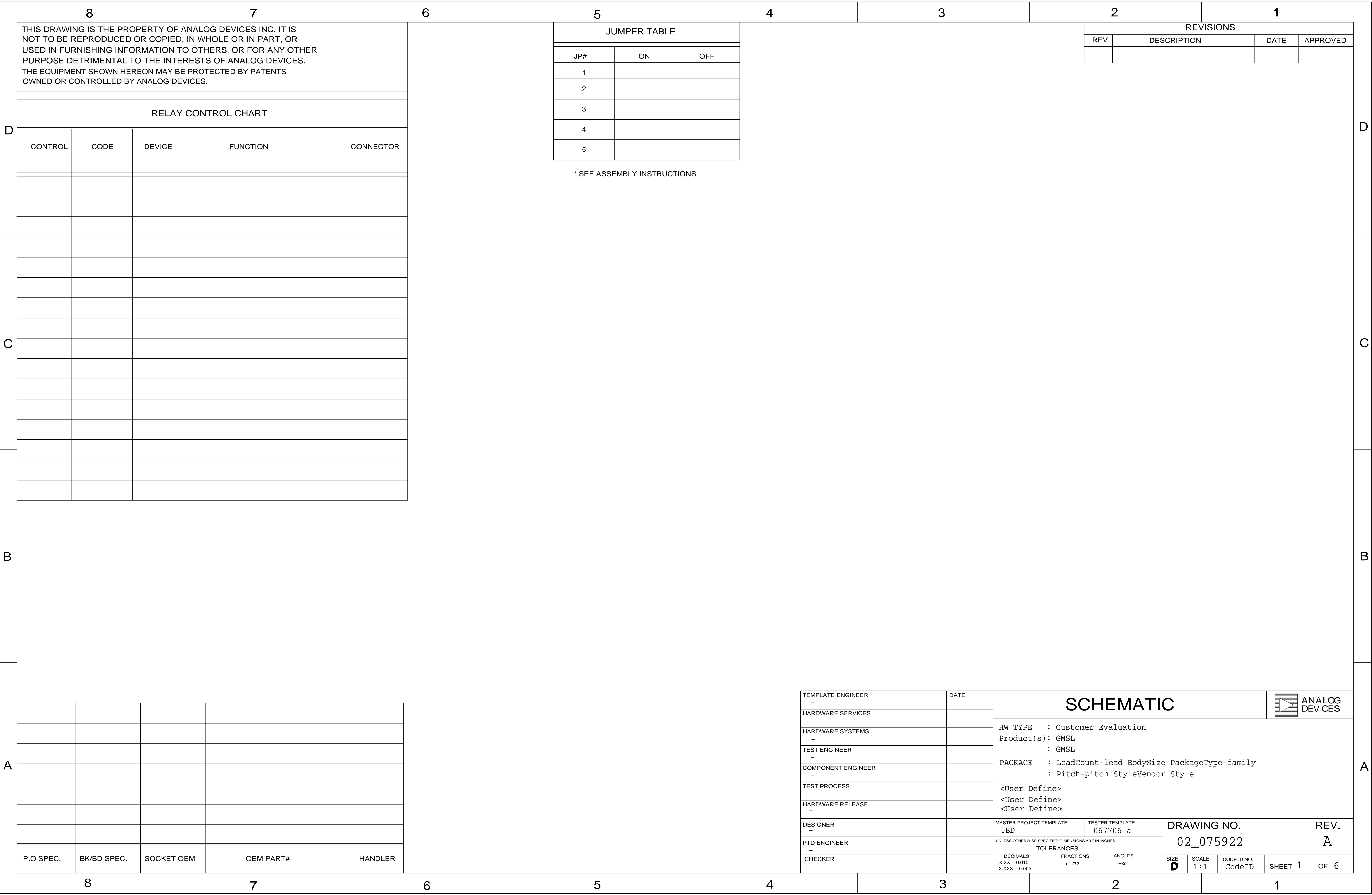
JUMPER TABLE		
JP#	ON	OFF
1		
2		
3		
4		
5		

\* SEE ASSEMBLY INSTRUCTIONS

REVISIONS			
REV	DESCRIPTION	DATE	APPROVED

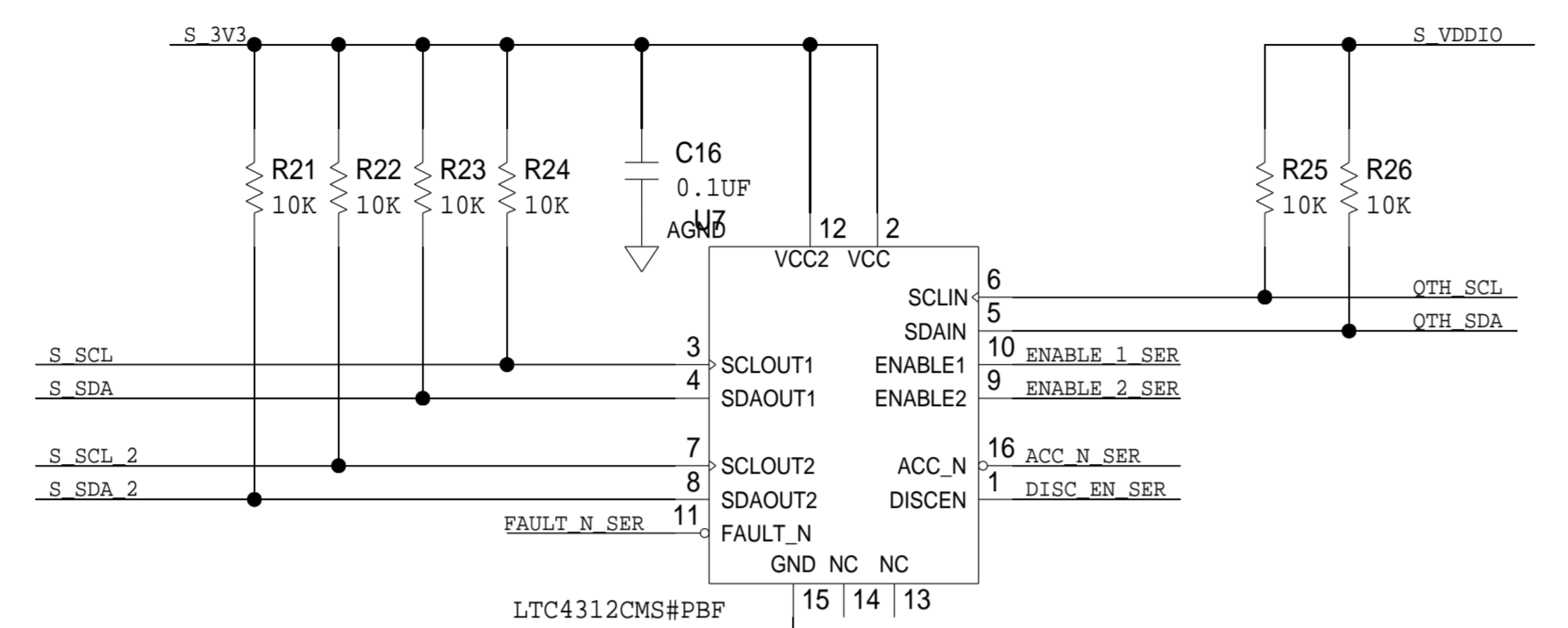
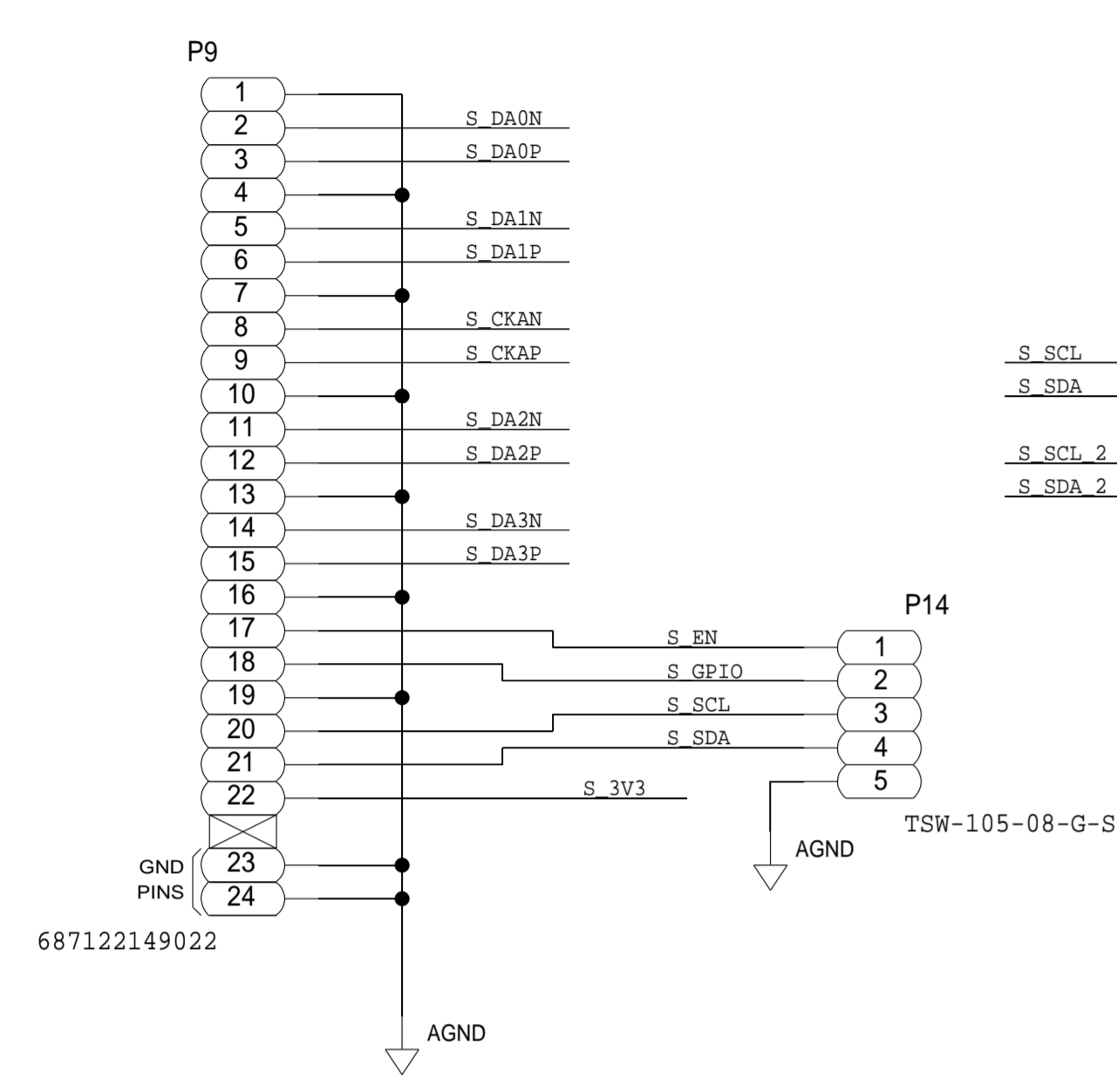
P.O SPEC.	BK/BD SPEC.	SOCKET OEM	OEM PART#	HANDLER

TEMPLATE ENGINEER -	DATE	<b>SCHEMATIC</b> 	HW TYPE : Customer Evaluation Product(s): GMSL : GMSL PACKAGE : LeadCount-lead BodySize PackageType-family : Pitch-pitch StyleVendor Style <User Define> <User Define> <User Define>	
HARDWARE SERVICES -				
HARDWARE SYSTEMS -				
TEST ENGINEER -				
COMPONENT ENGINEER -				
TEST PROCESS -				
HARDWARE RELEASE -				
DESIGNER -				
PTD ENGINEER -				
CHECKER -				
MASTER PROJECT TEMPLATE TBD	TESTER TEMPLATE 067706_a	DRAWING NO. <b>02_075922</b>	REV. <b>A</b>	
<small>UNLESS OTHERWISE SPECIFIED DIMENSIONS ARE IN INCHES</small> <b>TOLERANCES</b>		SIZE <b>D</b>	SCALE 1:1	CODE ID NO. CodeID
DECIMALS X.XX +0.010 X.XXX +0.005	FRACTIONS +1/32	ANGLES +2	SHEET 1 OF 6	

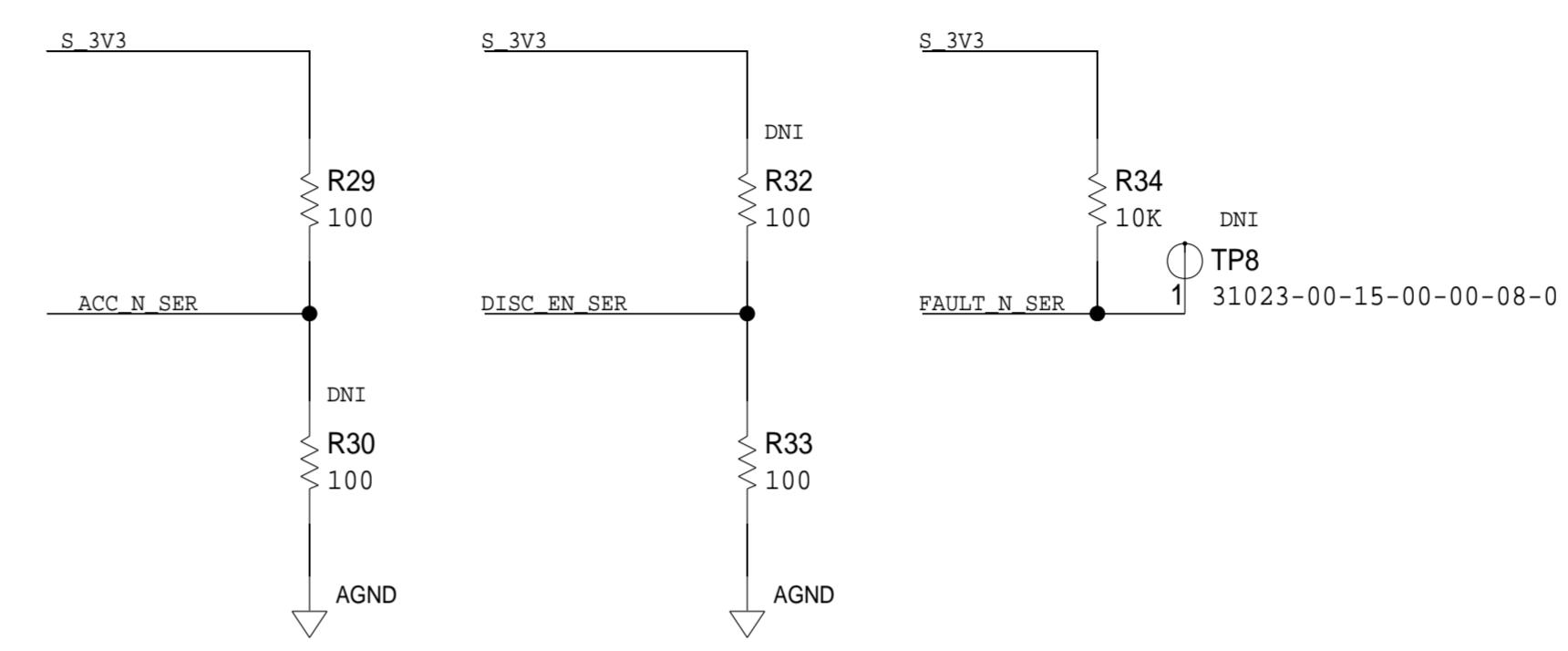


# SERIALIZER

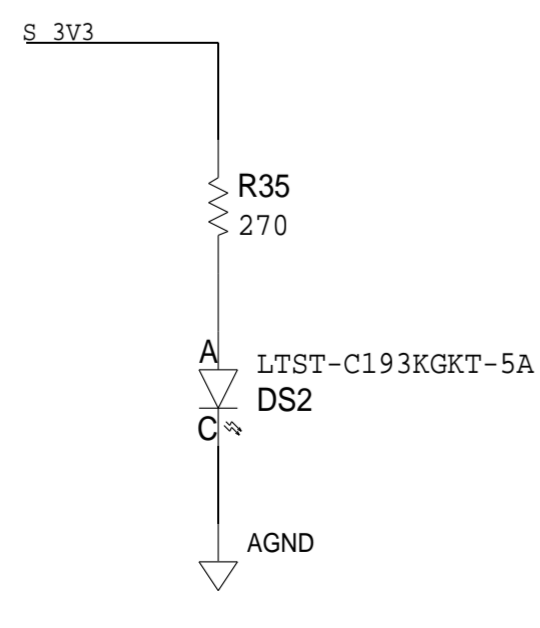
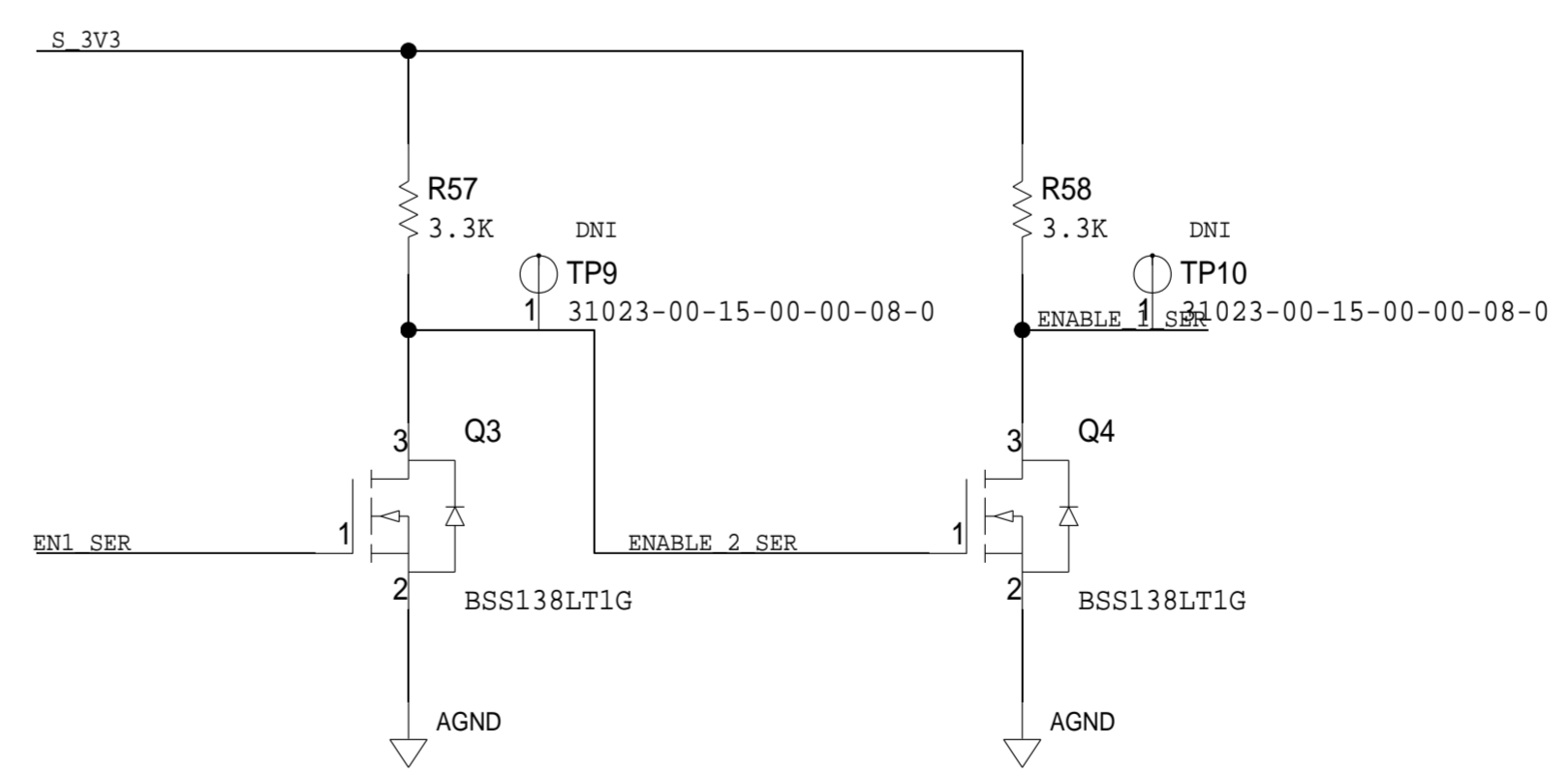
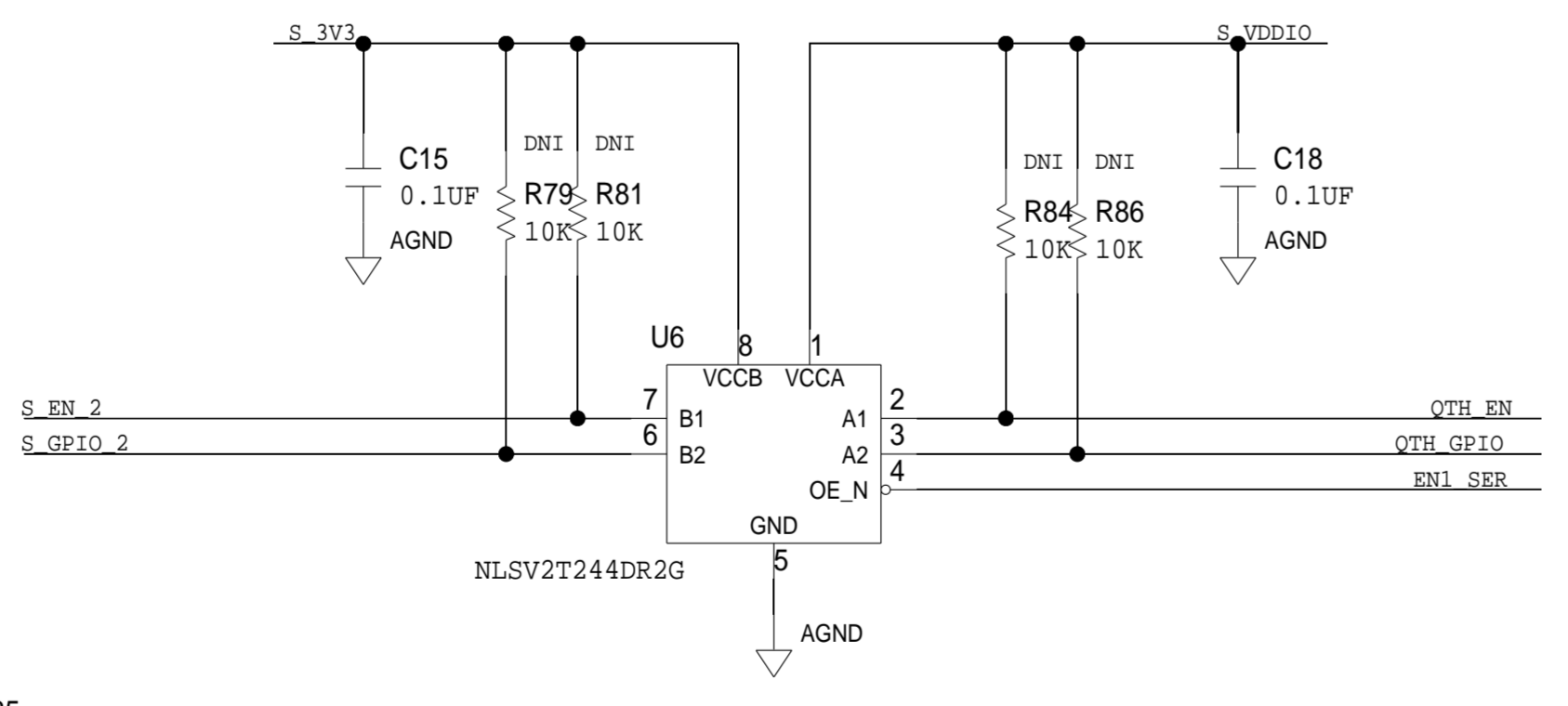
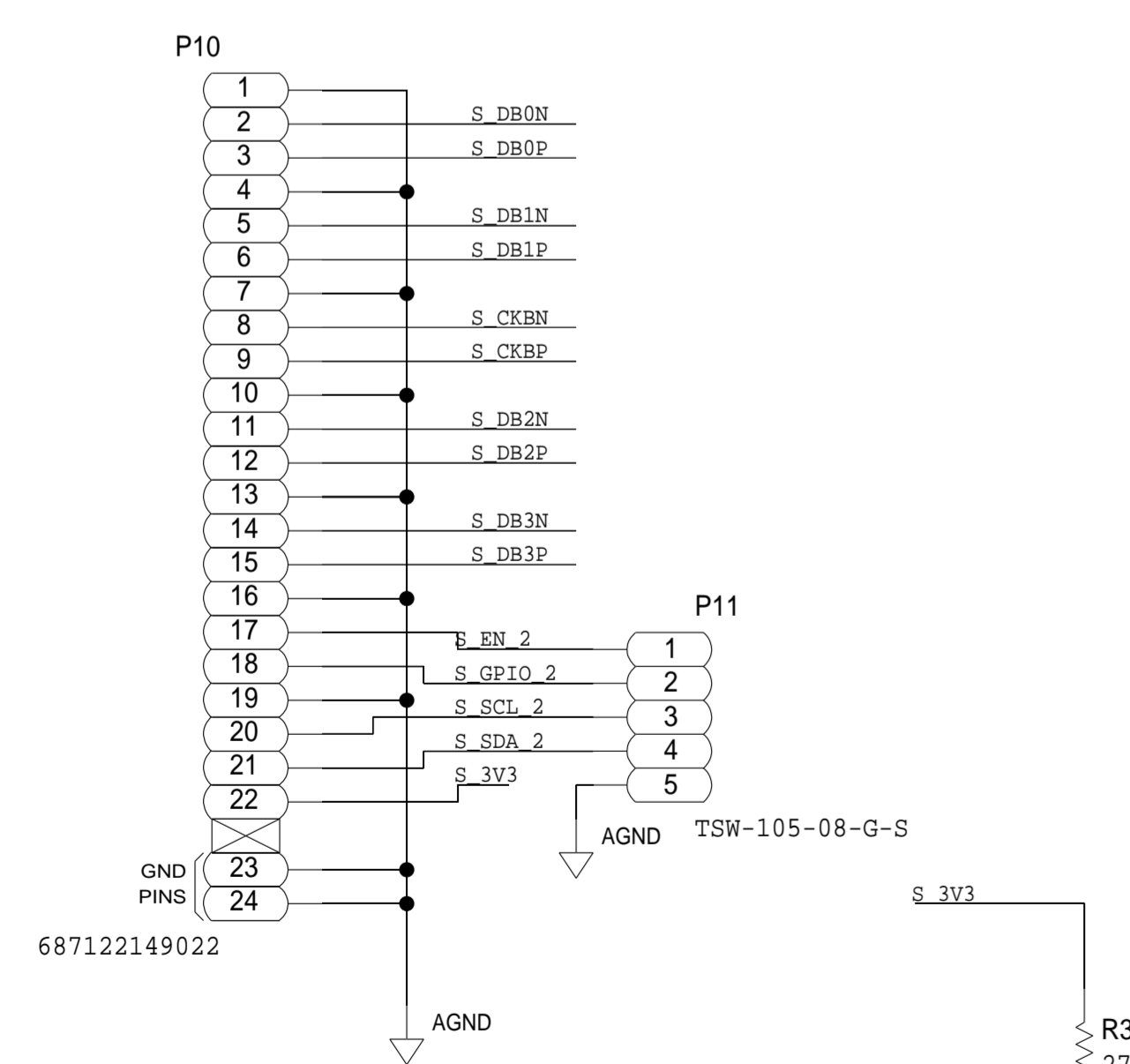
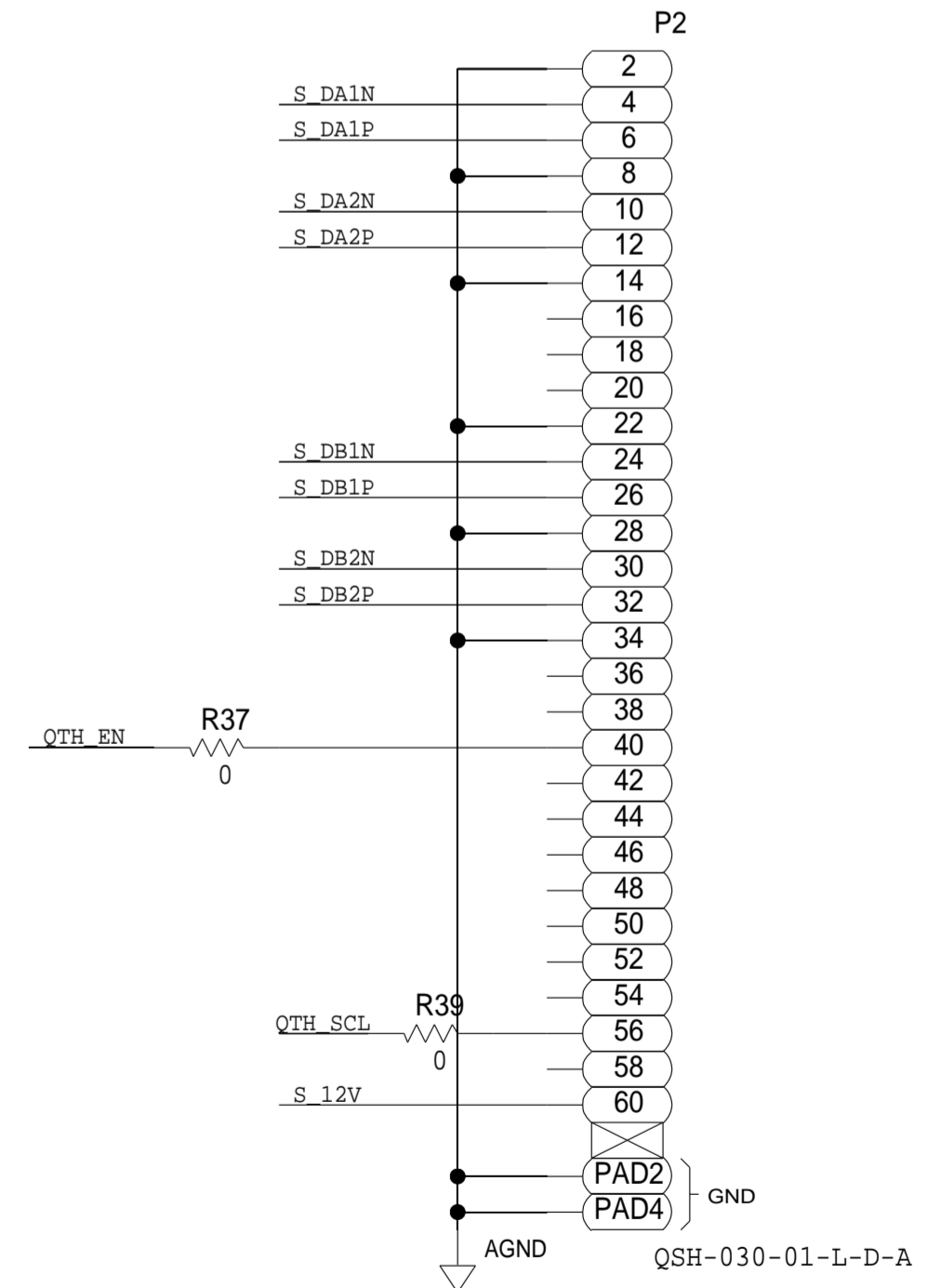
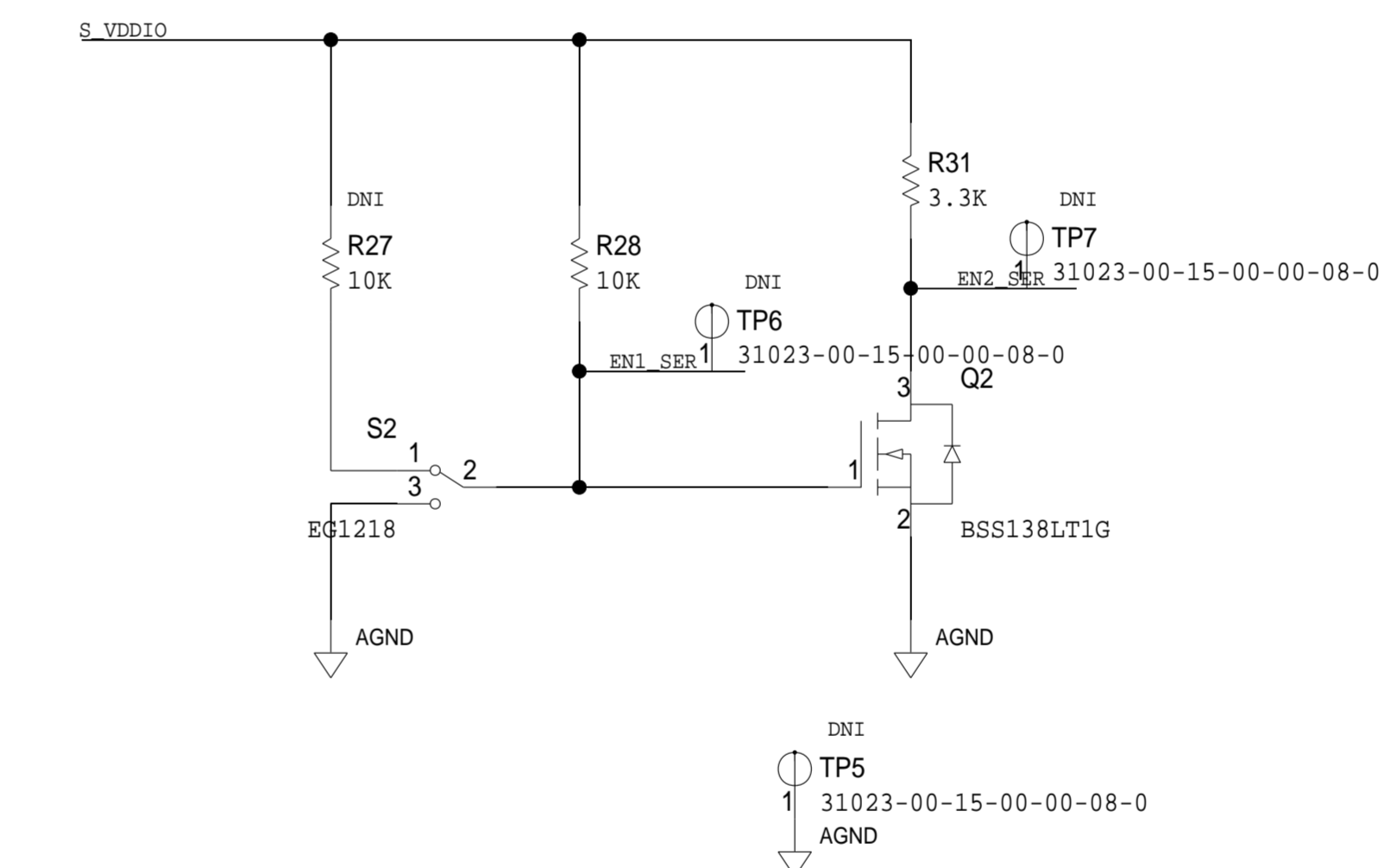
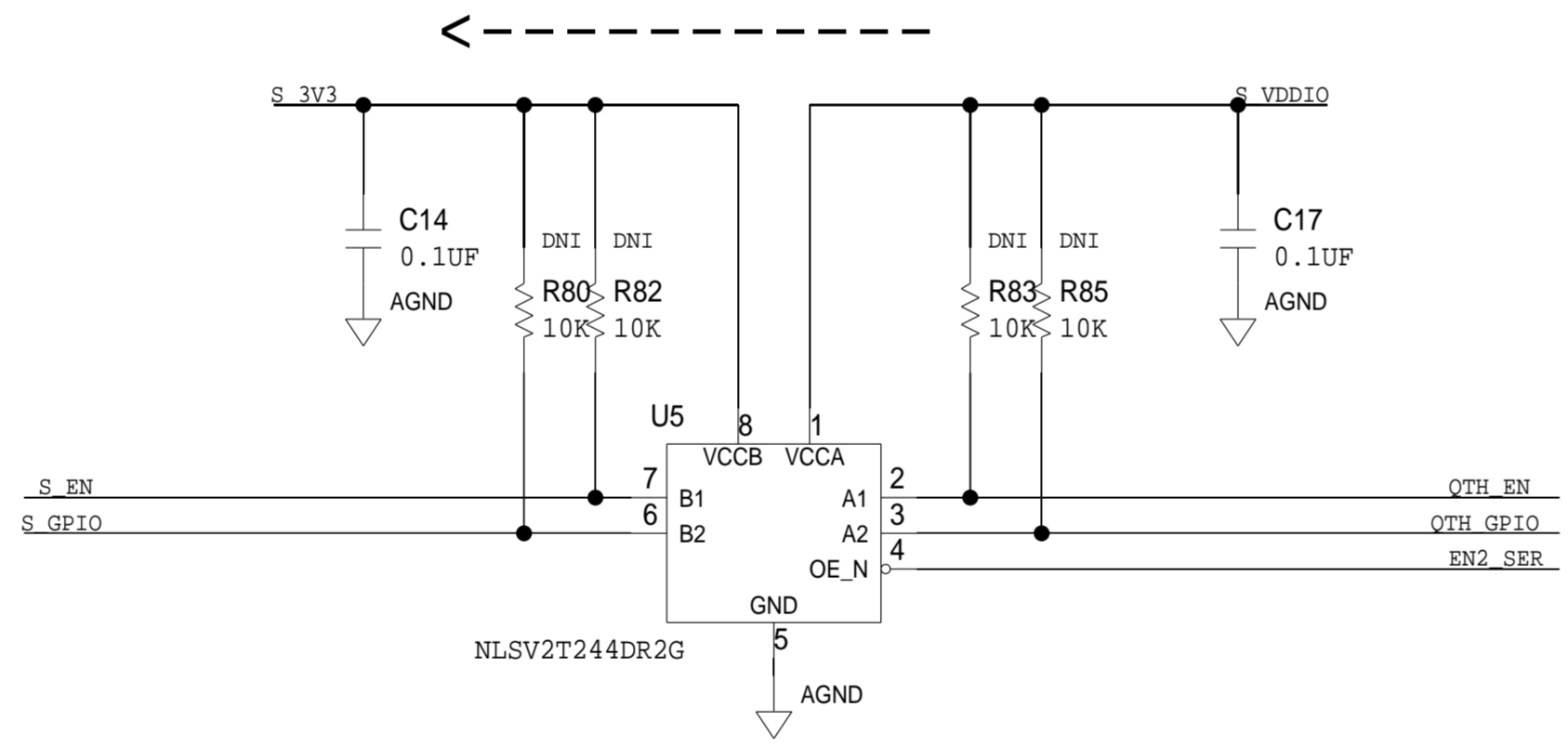
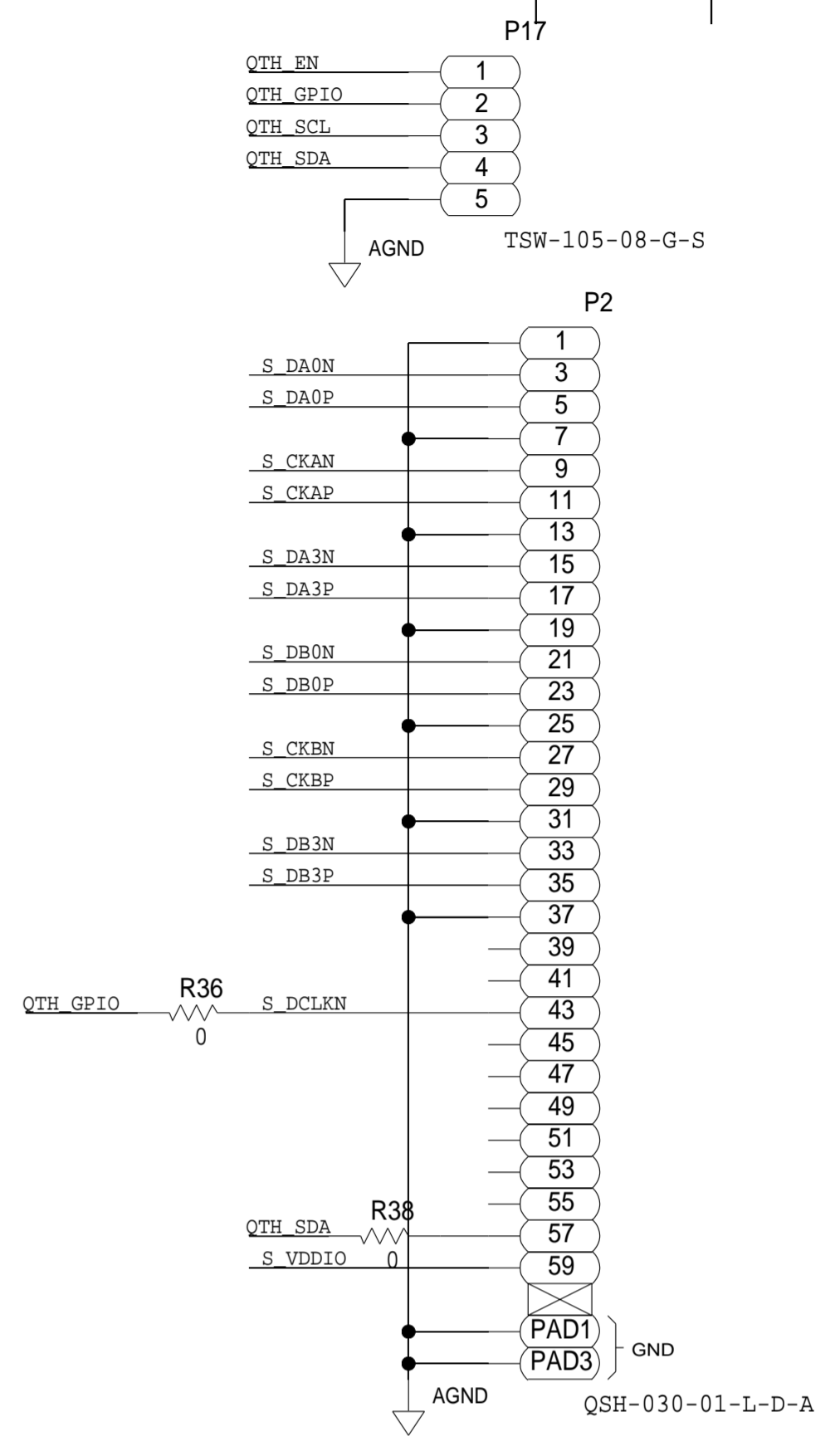
REVISIONS			
REV	DESCRIPTION	DATE	APPROVED



CHECK AGAIN  
PAGE 17 DATASHEET



S2 - 3V3 -> CAM 1  
S2 - GND -> CAM 2



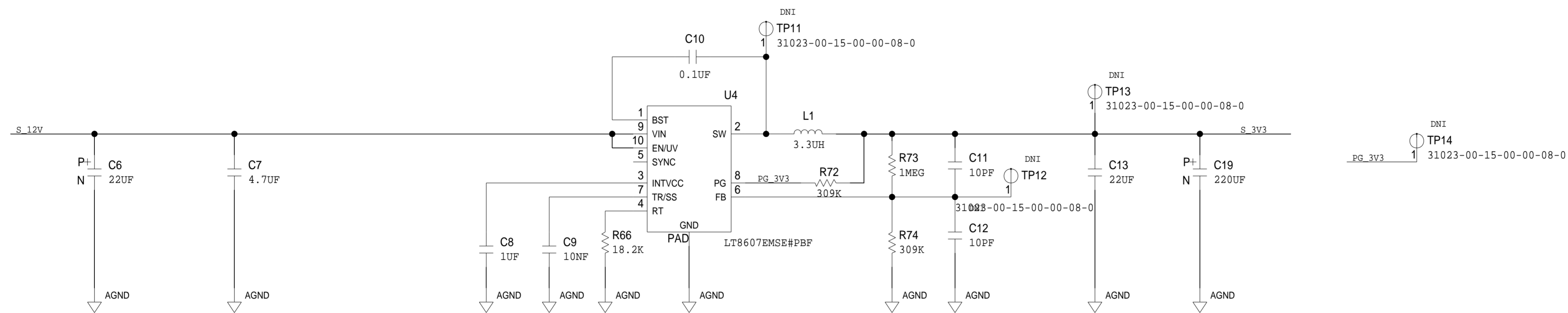
SCHEMATIC			
HW TYPE : Customer Evaluation		DRAWING NO. 02_075922	
Product(s) : GMSL		REV A	
DESIGN VIEW <DESIGN_VIEW>		PTD ENGINEER	
SIZE D	SCALE 1:1	SHEET 2 OF 6	

ANALOG DEVICES  
THIS DRAWING IS THE PROPERTY OF ANALOG DEVICES INC. IT IS NOT TO BE REPRODUCED OR COPIED IN WHOLE OR IN PART, OR USED IN FURNISHING INFORMATION TO OTHERS, OR FOR ANY OTHER PURPOSE DETRIMENTAL TO THE INTERESTS OF ANALOG DEVICES. THE EQUIPMENT SHOWN HEREON MAY BE PROTECTED BY PATENTS OWNED OR CONTROLLED BY ANALOG DEVICES.

# SERIALIZER

## POWER SUPPLY 3V3 @ 0A5

REVISIONS			
REV	DESCRIPTION	DATE	APPROVED

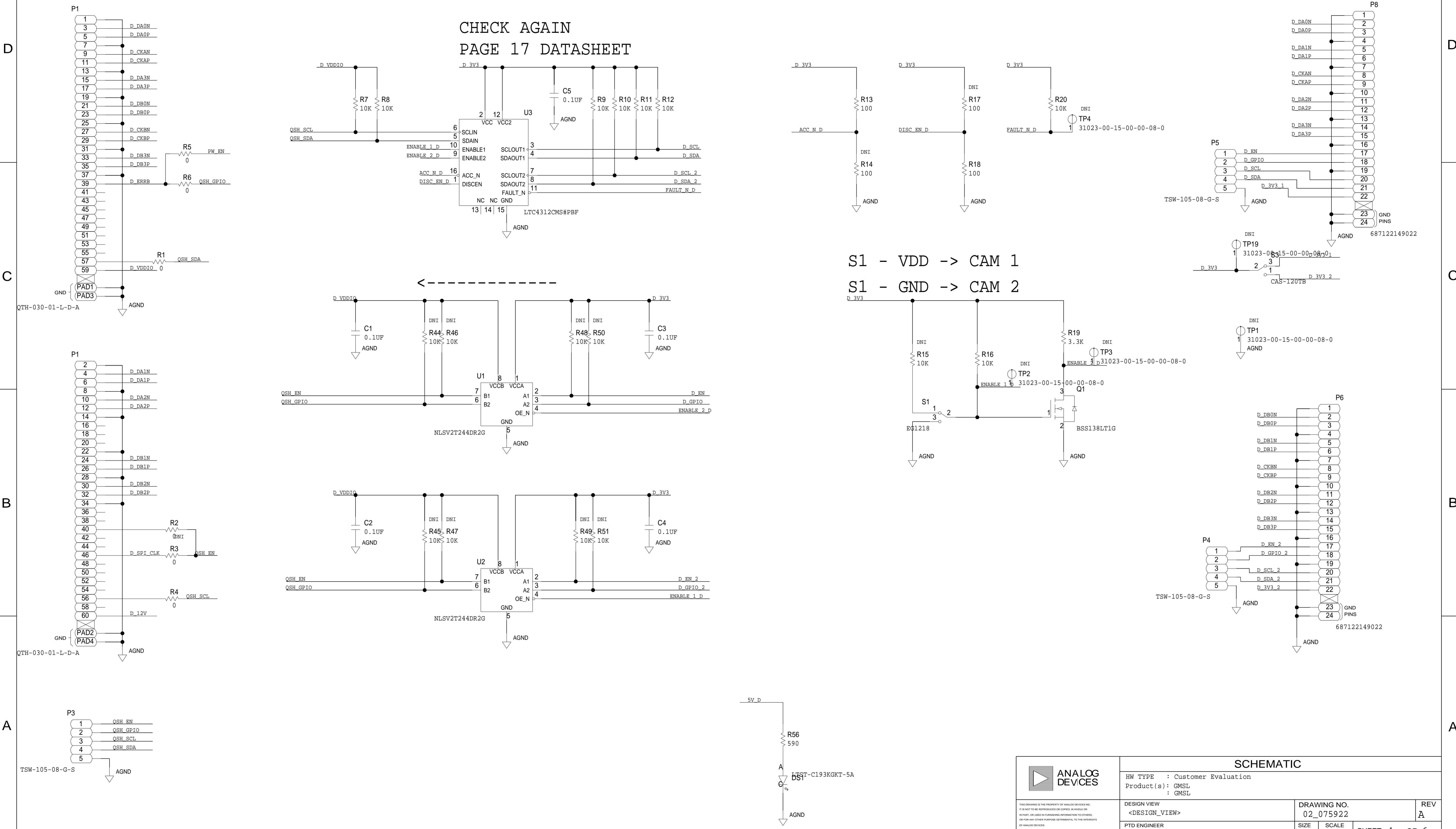


	<b>SCHEMATIC</b>		
	HW TYPE : Customer Evaluation		
	Product(s) : GMSL		
	: GMSL		
DESIGN VIEW <DESIGN_VIEW>	DRAWING NO. 02_075922	REV A	
PTD ENGINEER -	SIZE D	SCALE 1:1	SHEET 3 OF 6

# DESERIALIZER

REVISIONS			
REV	DESCRIPTION	DATE	APPROVED

CHECK AGAIN  
PAGE 17 DATASHEET



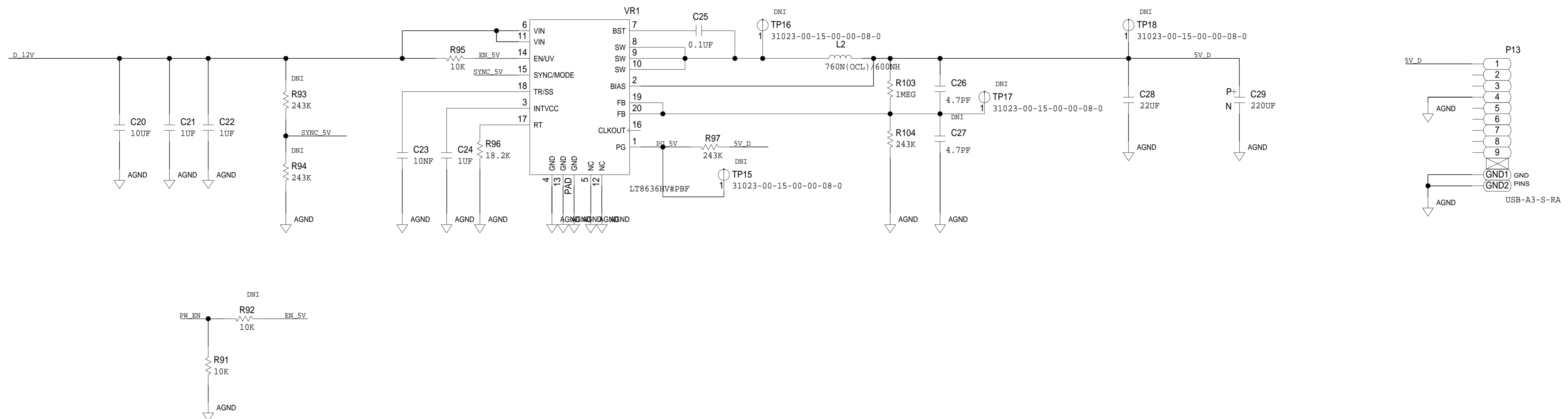
S1 - VDD -> CAM 1  
S1 - GND -> CAM 2

	<b>SCHEMATIC</b>		
	HW TYPE : Customer Evaluation		
	Product(s) : GMSL		
	: GMSL		
DESIGN VIEW	DRAWING NO.	REV	
<DESIGN_VIEW>	02_075922	A	
PTD ENGINEER	SIZE	SCALE	SHEET 4 OF 6
-	D	1:1	

# DESERIALIZER

## POWER SUPPLY 5V @ 4A

REVISIONS			
REV	DESCRIPTION	DATE	APPROVED

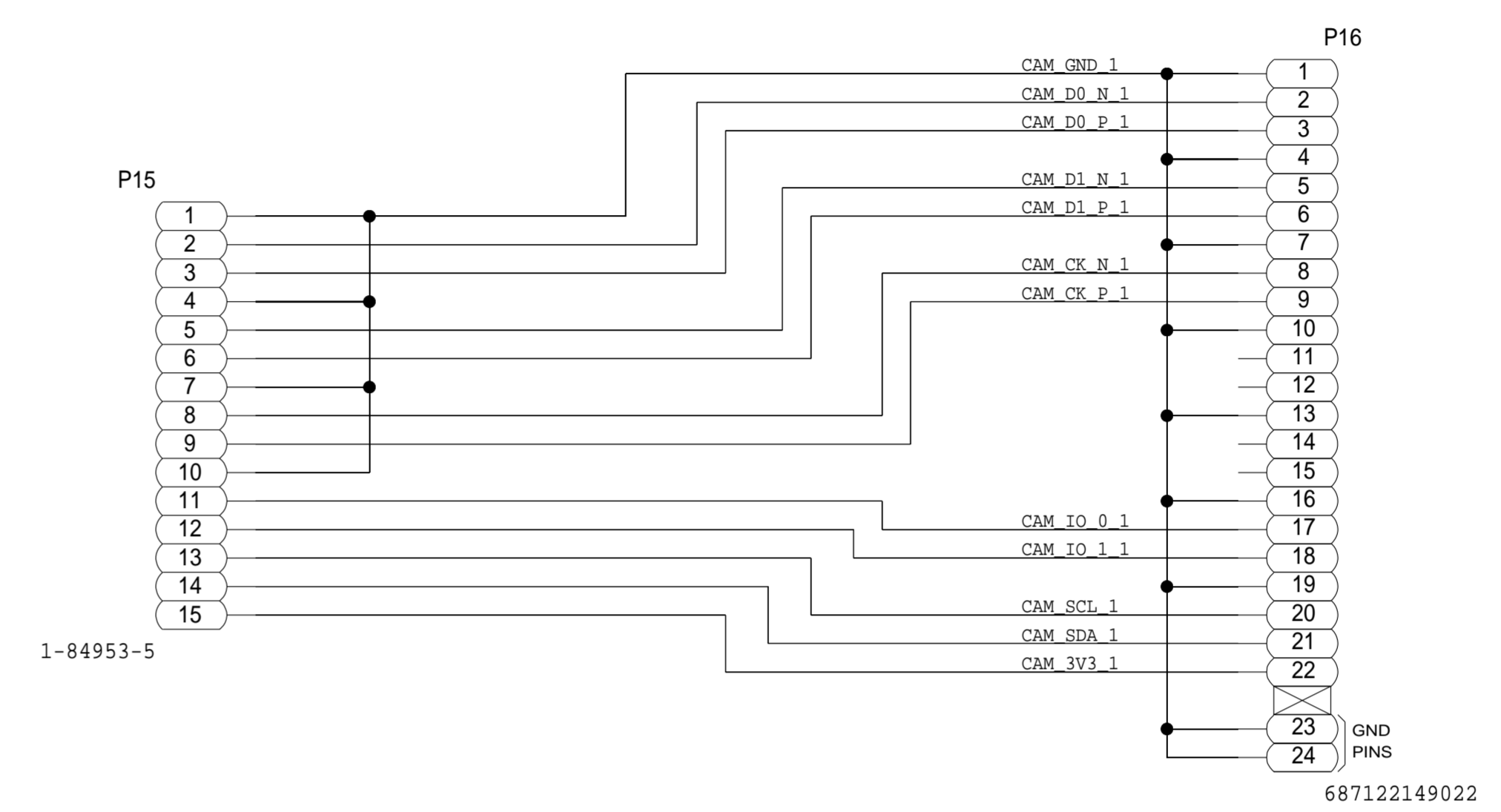
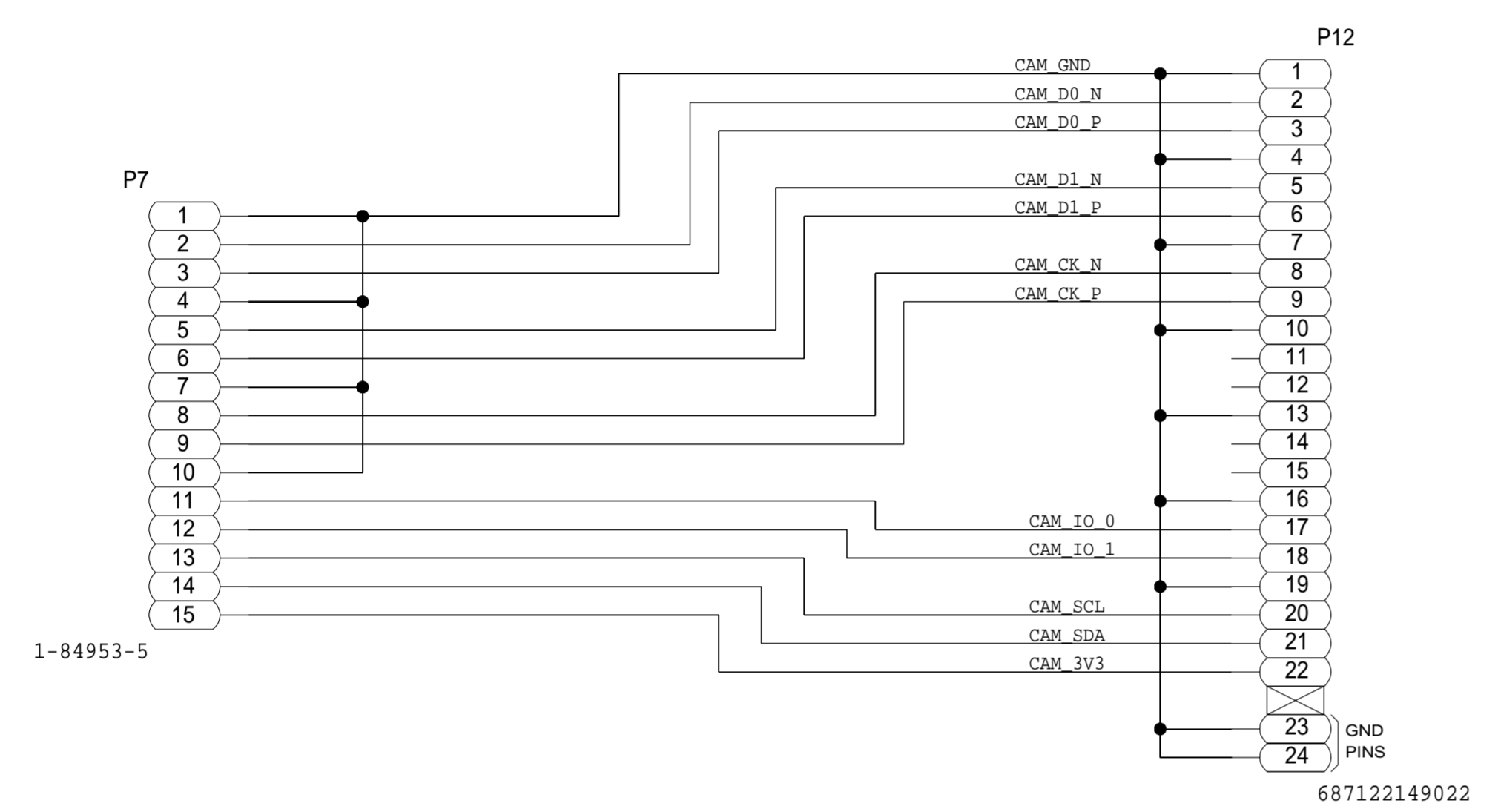


	<b>SCHEMATIC</b>		
	HW TYPE : Customer Evaluation		
	Product(s) : GMSL		
	: GMSL		
DESIGN VIEW <DESIGN_VIEW>	DRAWING NO. 02_075922	REV A	
PTD ENGINEER -	SIZE D	SCALE 1:1	SHEET 5 OF 6

THIS DRAWING IS THE PROPERTY OF ANALOG DEVICES INC. IT IS NOT TO BE REPRODUCED OR COPIED, IN WHOLE OR IN PART, OR USED IN FURNISHING INFORMATION TO OTHERS, OR FOR ANY OTHER PURPOSE DETRIMENTAL TO THE INTERESTS OF ANALOG DEVICES. THE EQUIPMENT SHOWN HEREON MAY BE PROTECTED BY PATENTS OWNED OR CONTROLLED BY ANALOG DEVICES.

# 22-15PIN ADAPTER

REVISIONS			
REV	DESCRIPTION	DATE	APPROVED



	<b>SCHEMATIC</b>		
	HW TYPE : Customer Evaluation		
	Product(s) : GMSL		
	: GMSL		
DESIGN VIEW <DESIGN_VIEW>	DRAWING NO. 02_075922	REV A	
PTD ENGINEER -	SIZE <b>D</b>	SCALE 1:1	
		SHEET 6 OF 6	