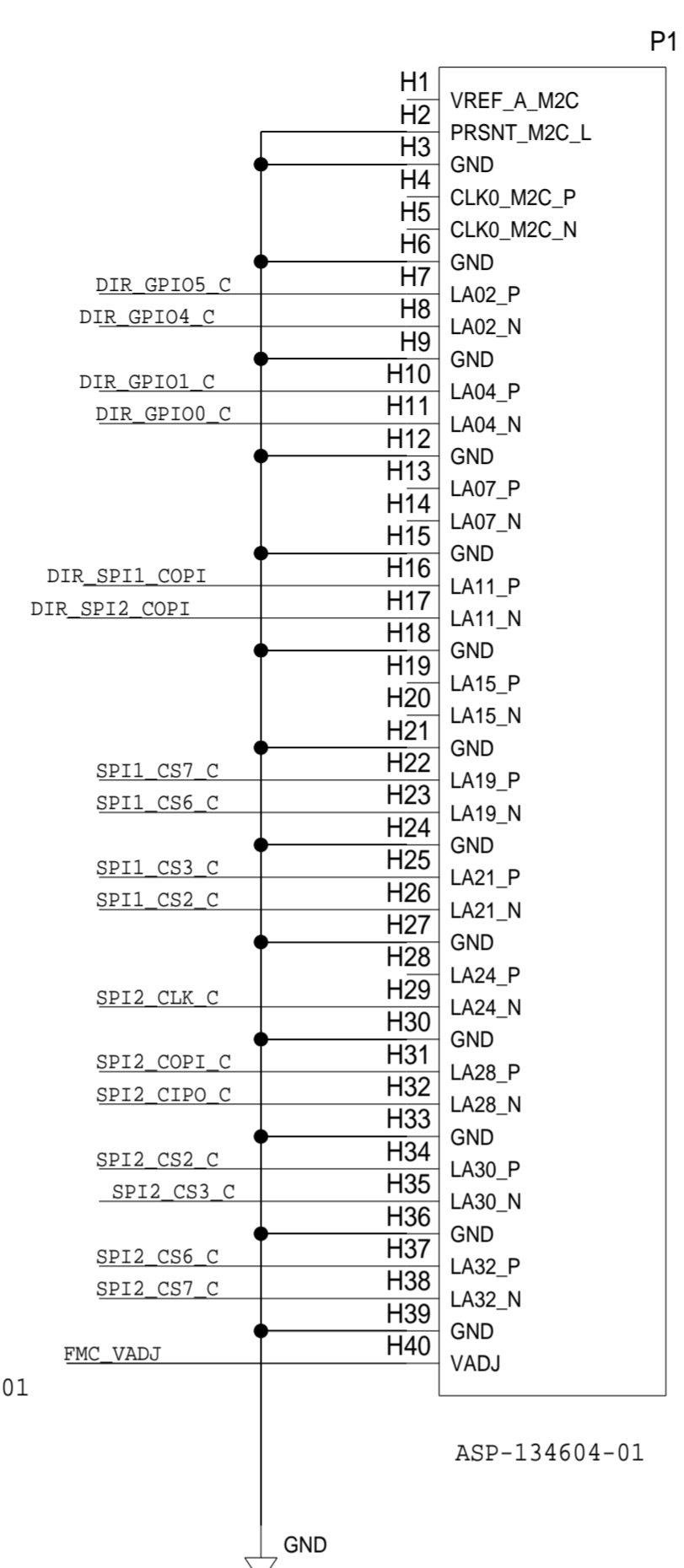
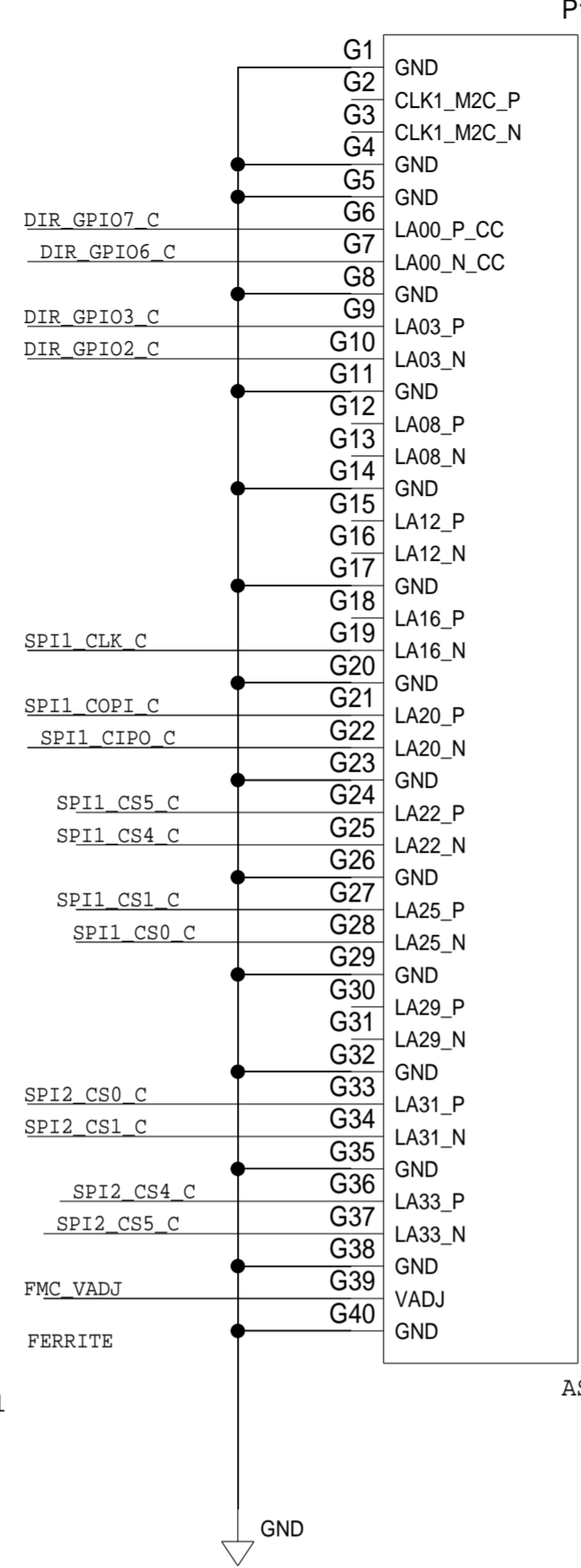
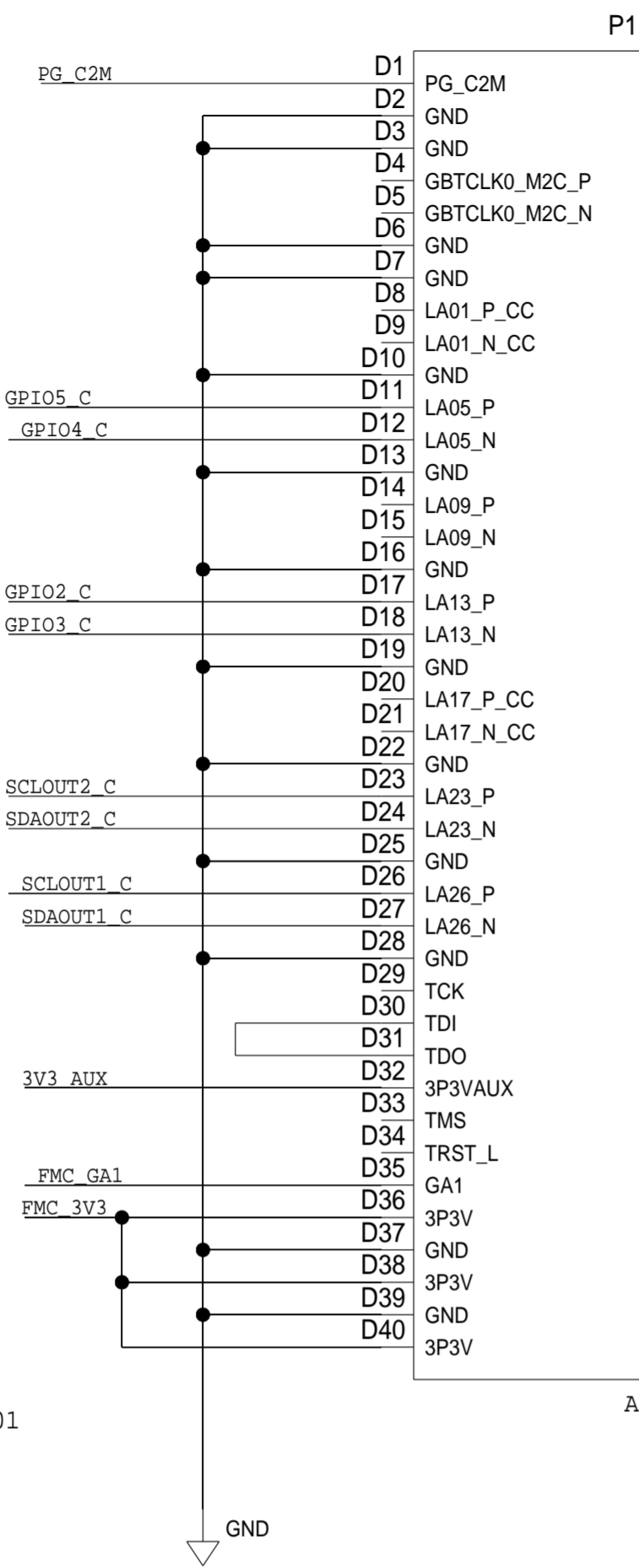
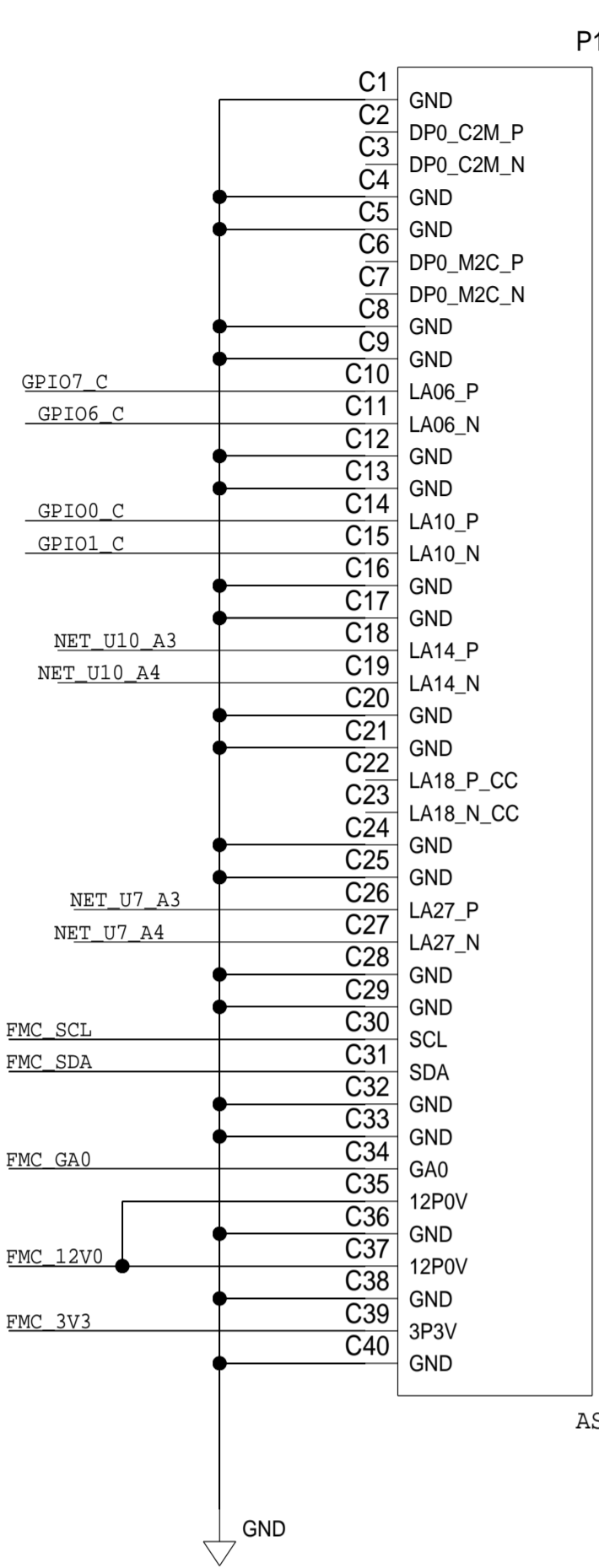


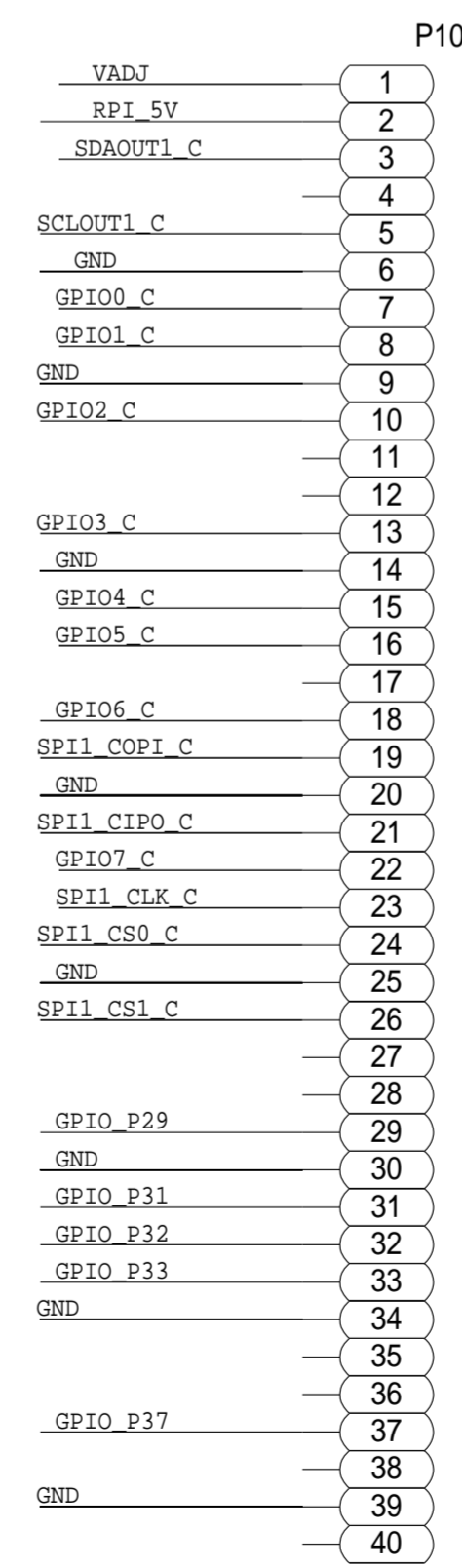
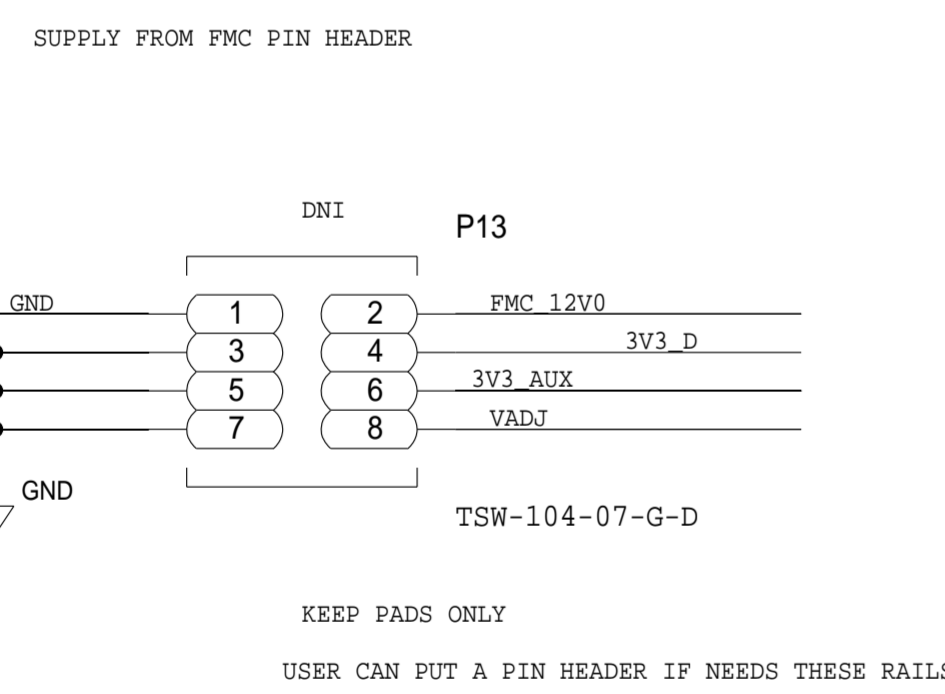
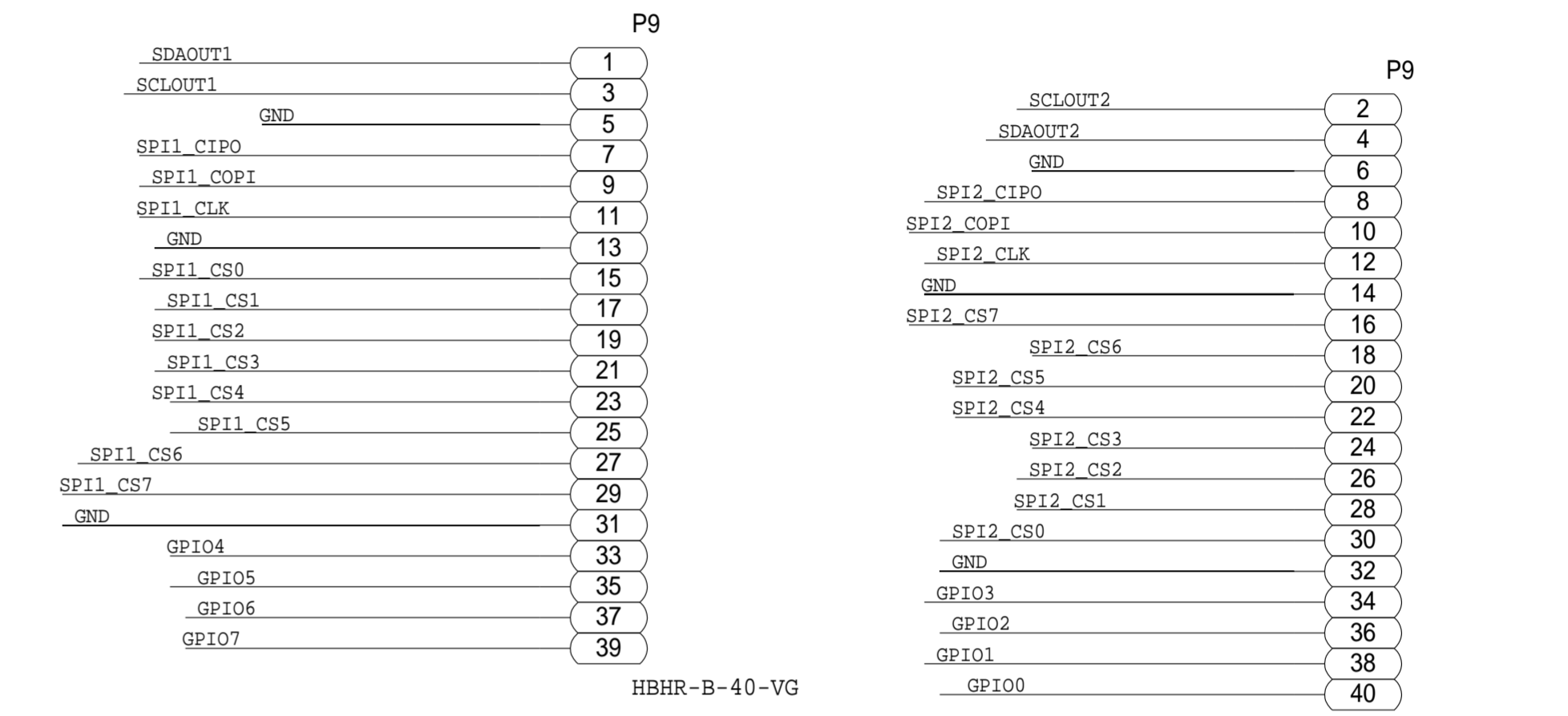
FMC LPC CONNECTOR

REVISIONS			
REV	DESCRIPTION	DATE	APPROVED

USE PG_C2M?



40PIN HEADER-OUTPUT



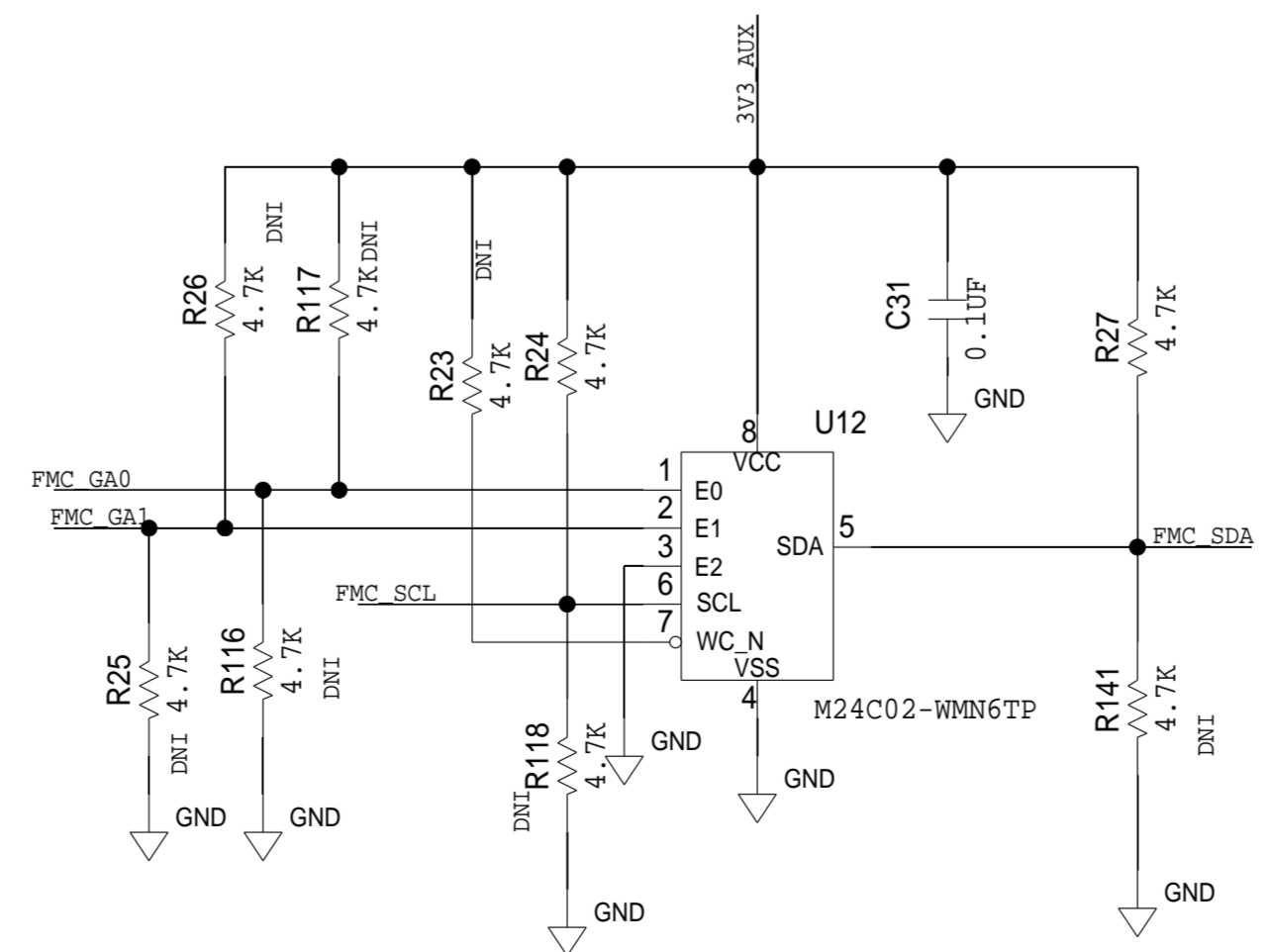
RPI HEADER 40 PINS-INPUT FROM XMW CONTROLLER

CAN BE USED IN XMWCONTROLLER MODE
IF THE RESISTORS ARE SOLDERED TO SPI_CS0-4 NETS

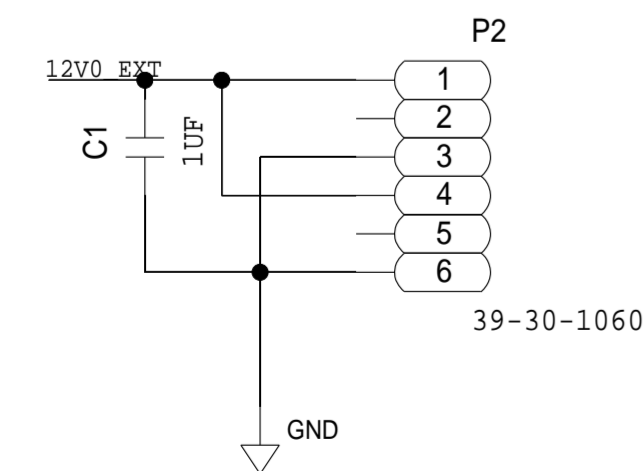
GPIO_P29 --> SPI2_CS0
GPIO_P31 --> SPI2_CS1
GPIO_P32 --> SPI2_CS2
GPIO_P33 --> SPI2_CS3
GPIO_P37 --> SPI2_CS4

ARE BY DEFAULT OUTPUT PINS

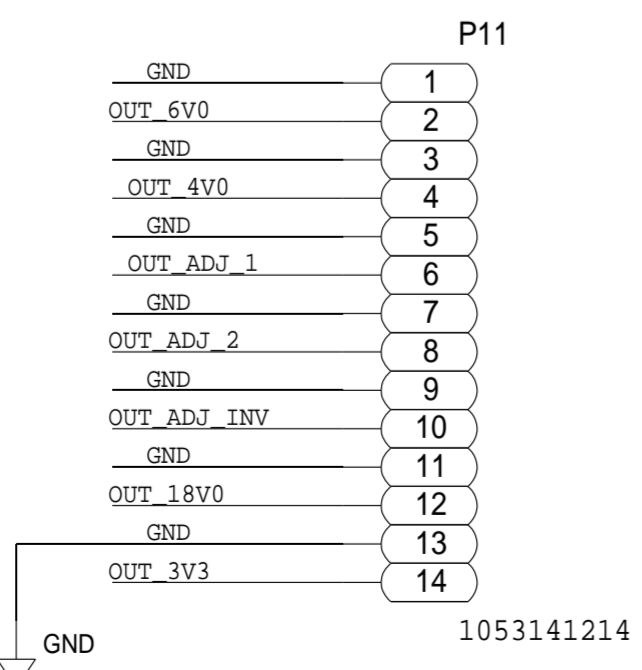
FMC EEPROM



EXT INPUT POWER CONNECTOR



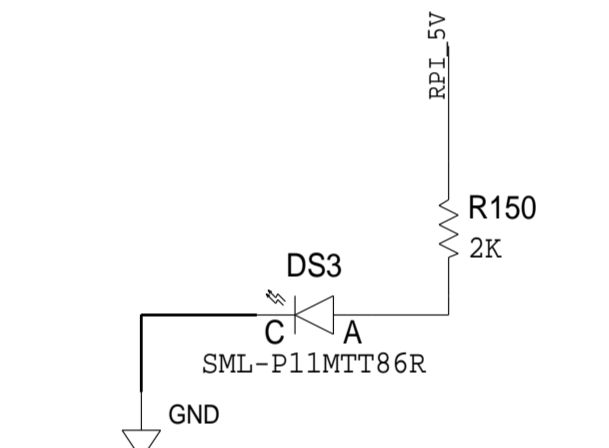
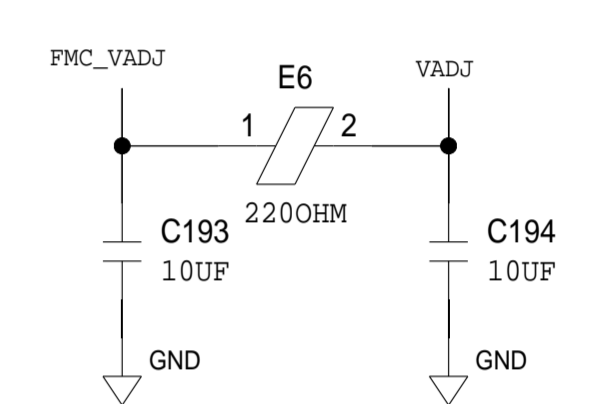
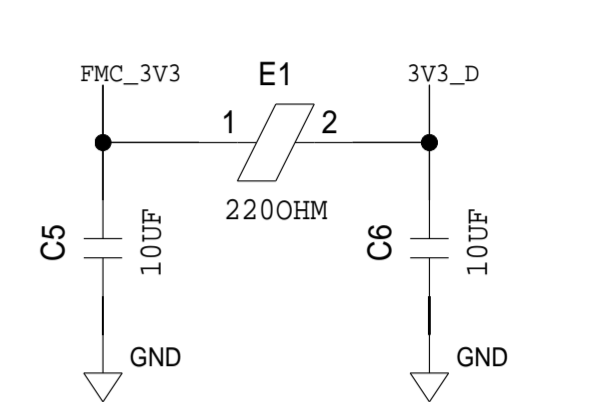
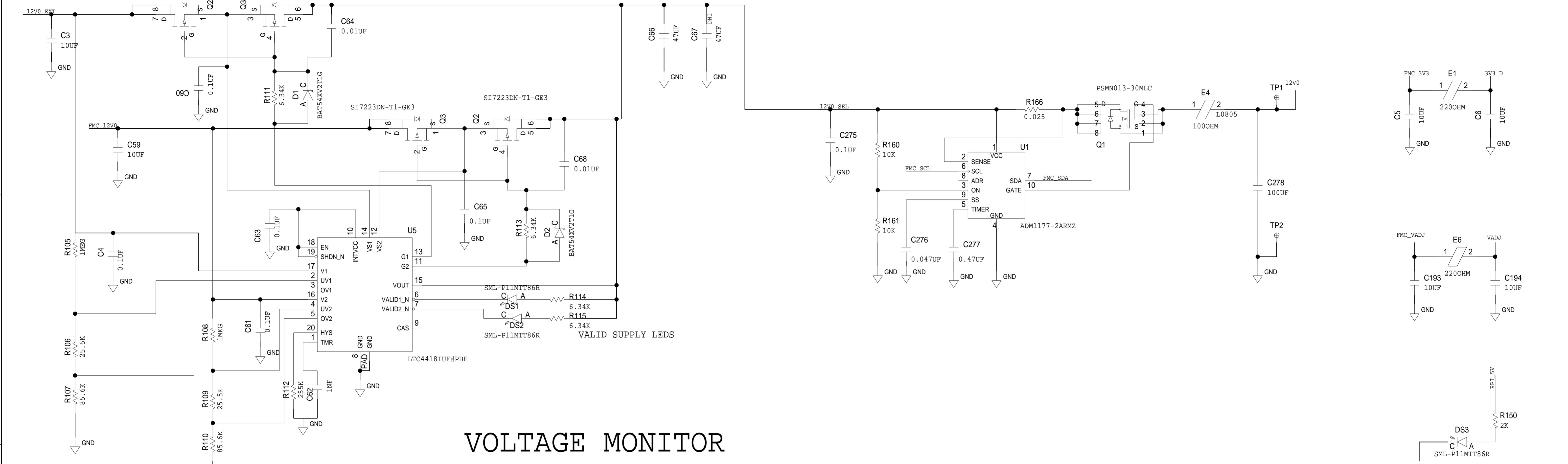
SUPPLY OUT PIN HEADER



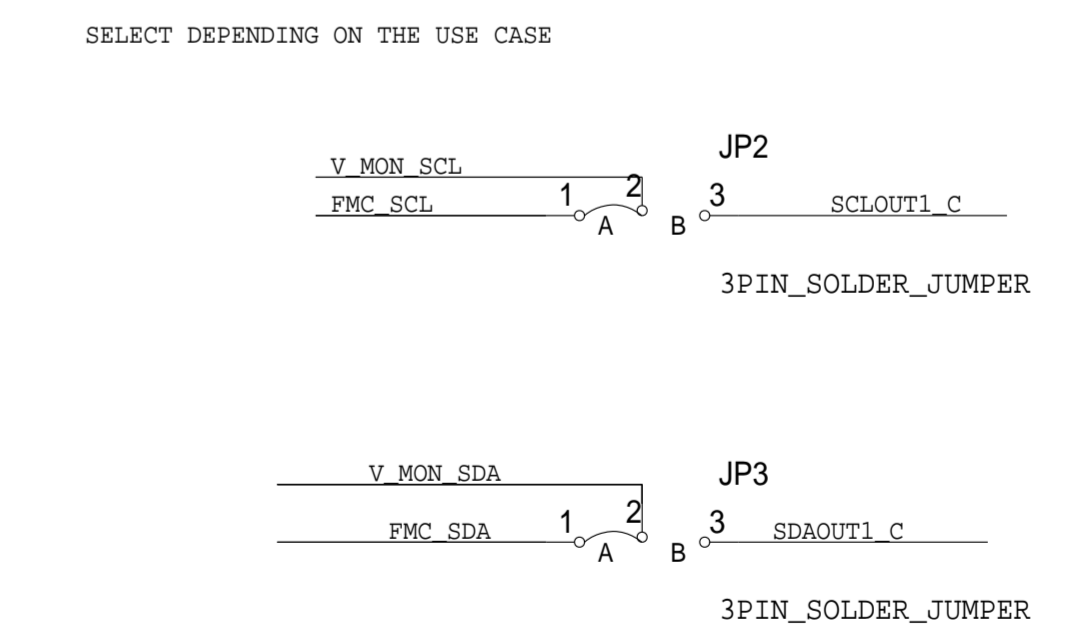
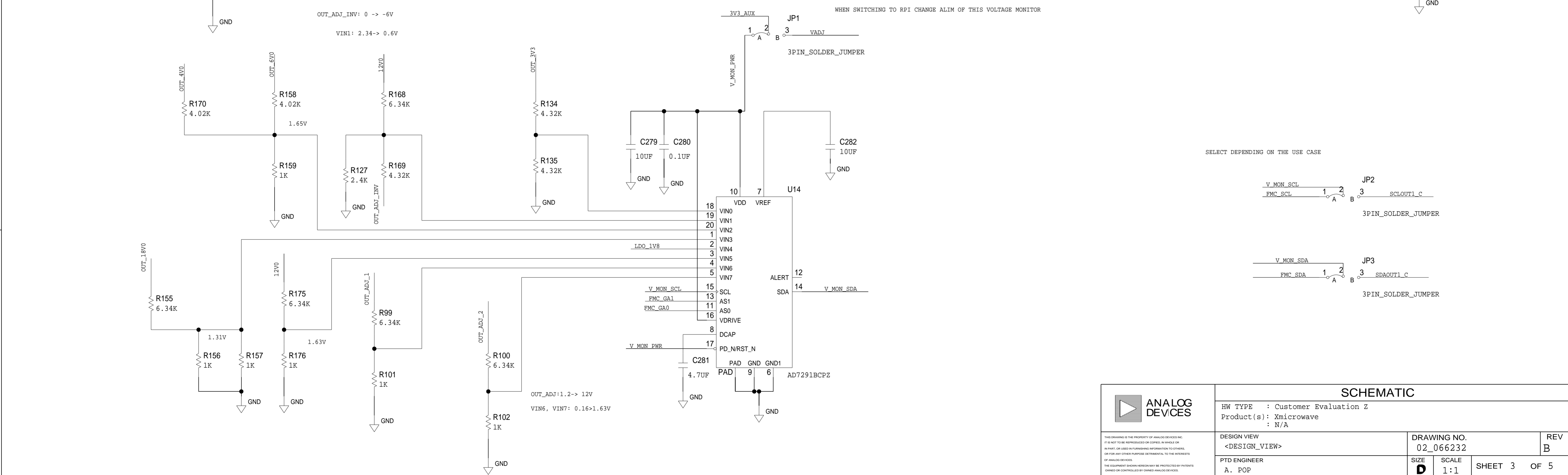
	SCHEMATIC		
	HW TYPE : Customer Evaluation Z Product(s) : Xmicrowave : N/A		
DESIGN VIEW <DESIGN_VIEW>	DRAWING NO. 02_066232	REV B	
PTD ENGINEER A. POP	SIZE D	SCALE 1:1	SHEET 2 OF 5

POWER PATH SELECTION

REVISIONS			
REV	DESCRIPTION	DATE	APPROVED



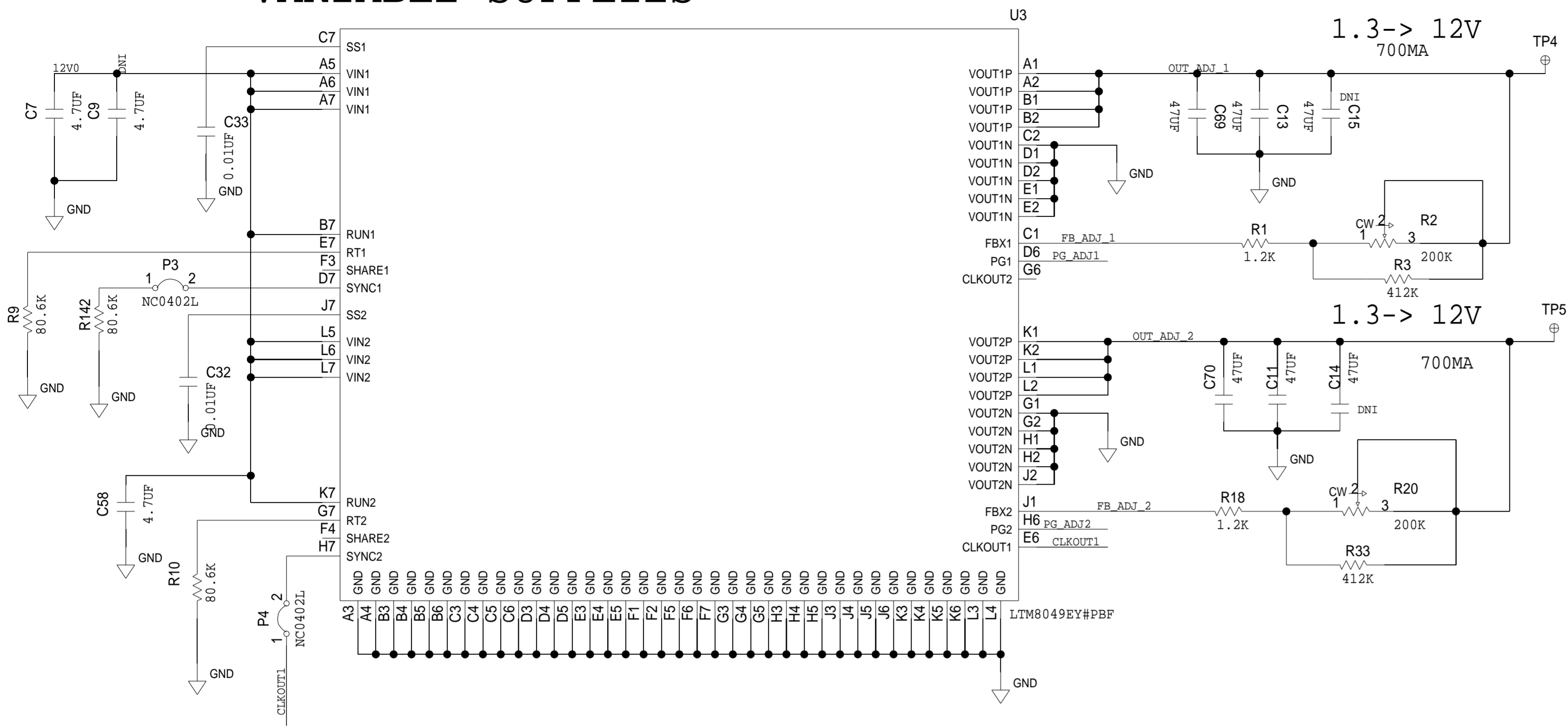
VOLTAGE MONITOR



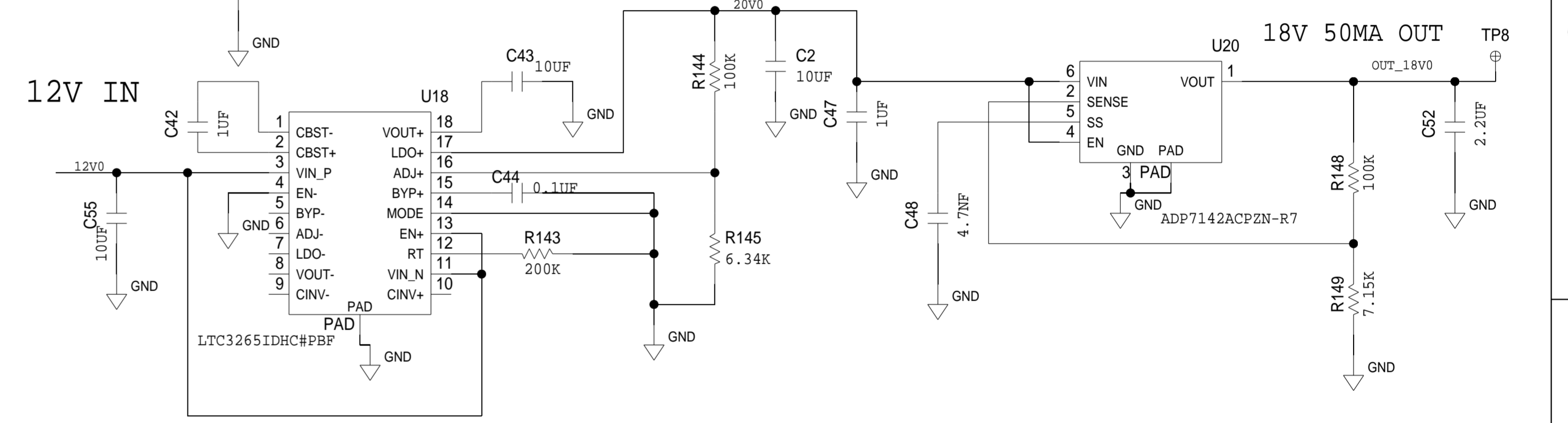
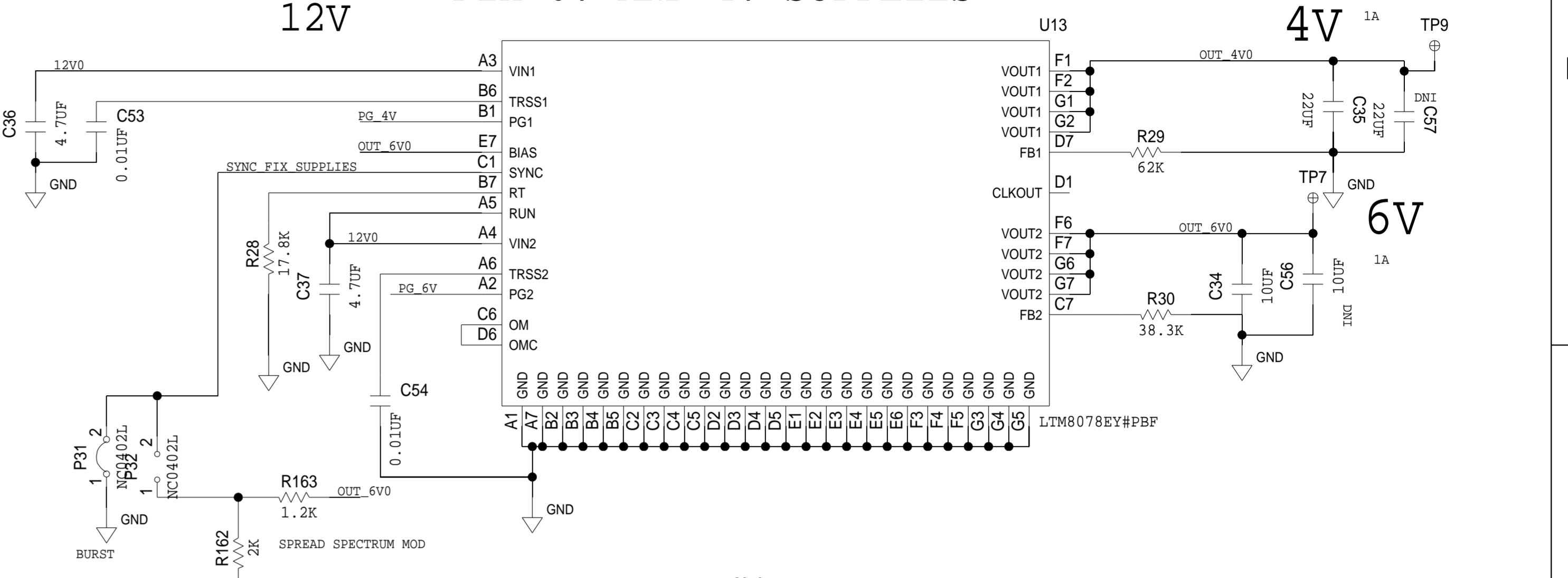
SCHEMATIC			
		HW TYPE : Customer Evaluation Z Product(s) : Xmicrowave : N/A	
DESIGN VIEW	02_066232	DRAWING NO.	REV
<DESIGN_VIEW>			B
PTD ENGINEER	A. POP	SIZE	SCALE
		D	1:1
		SHEET	3 OF 5

REVISIONS			
REV	DESCRIPTION	DATE	APPROVED

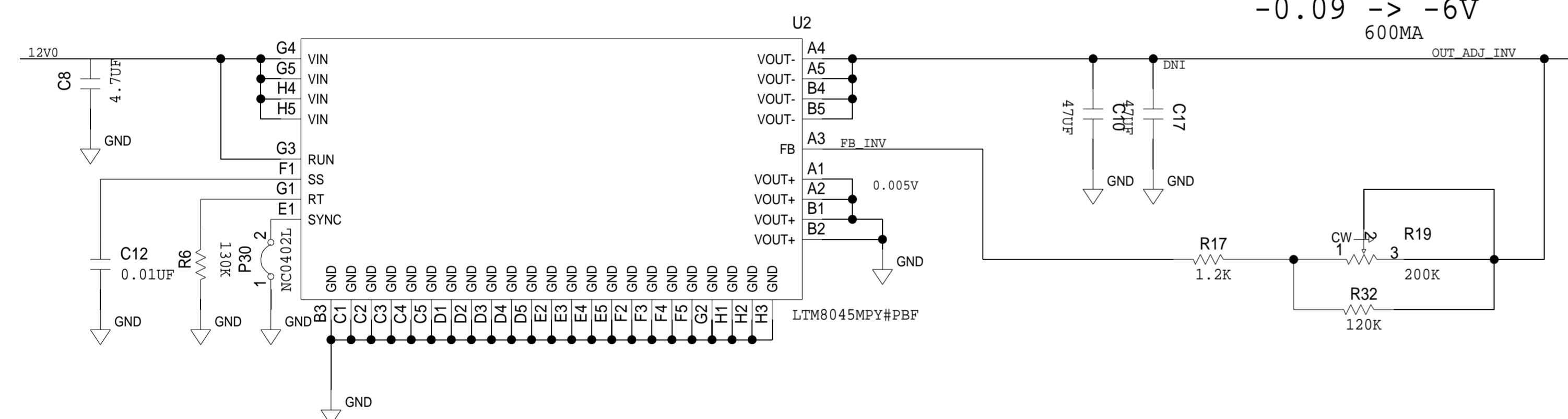
VARIABLE SUPPLIES



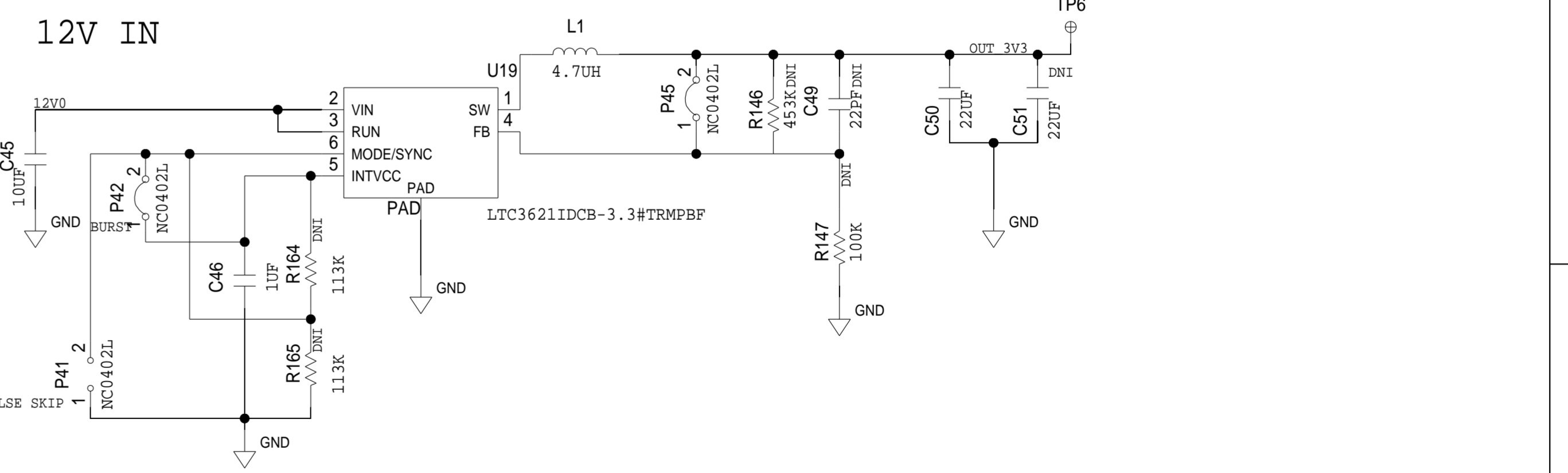
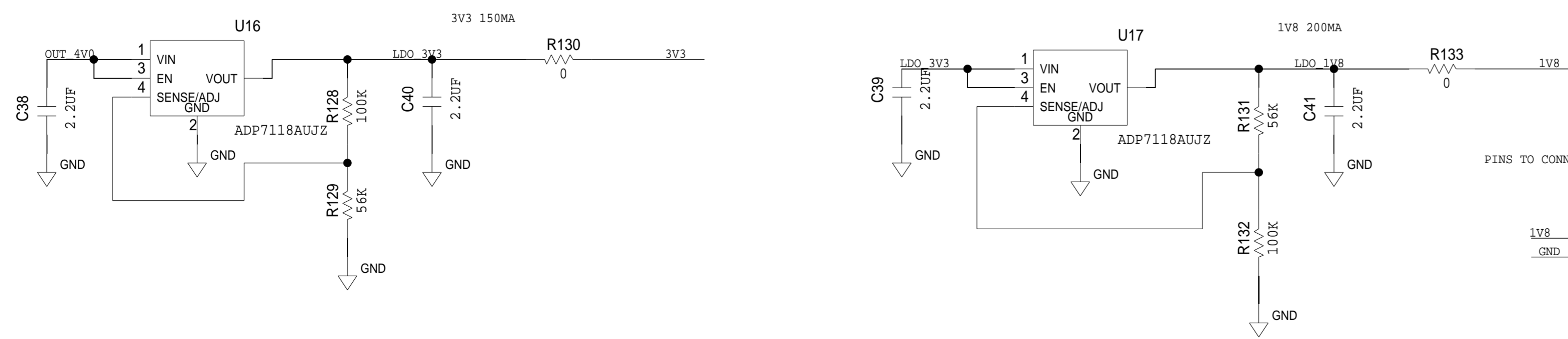
FIX 6V AND 4V SUPPLIES



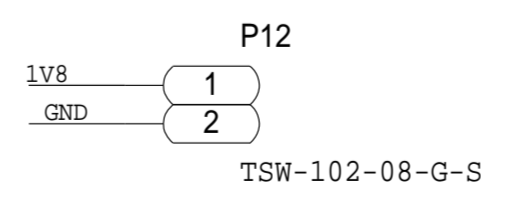
INVERTING



3V3 1V8 RAILS FOR LEVEL SHIFTING



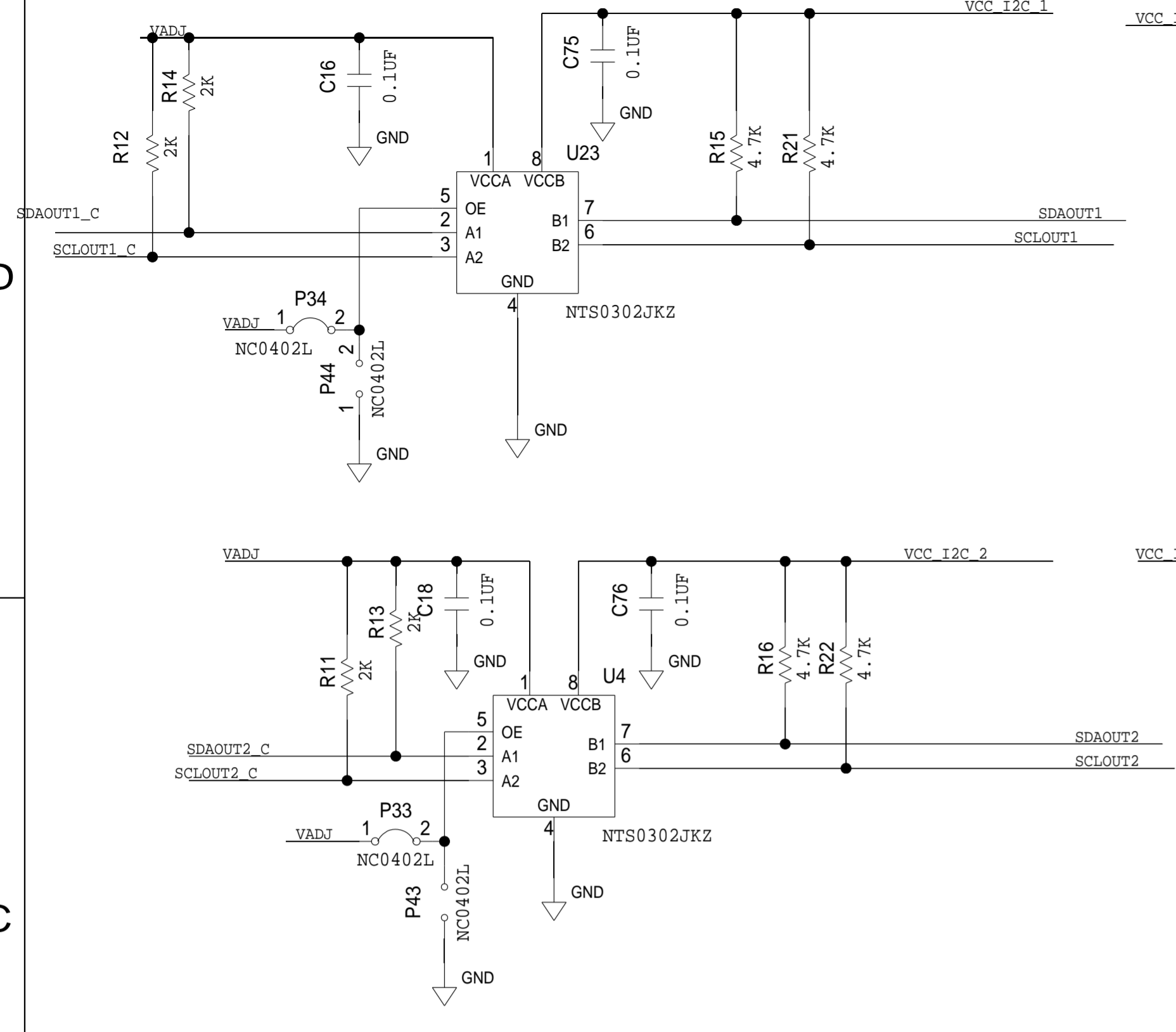
PINS TO CONNECT THE CORRESPONDING VOLTAGE RAILS



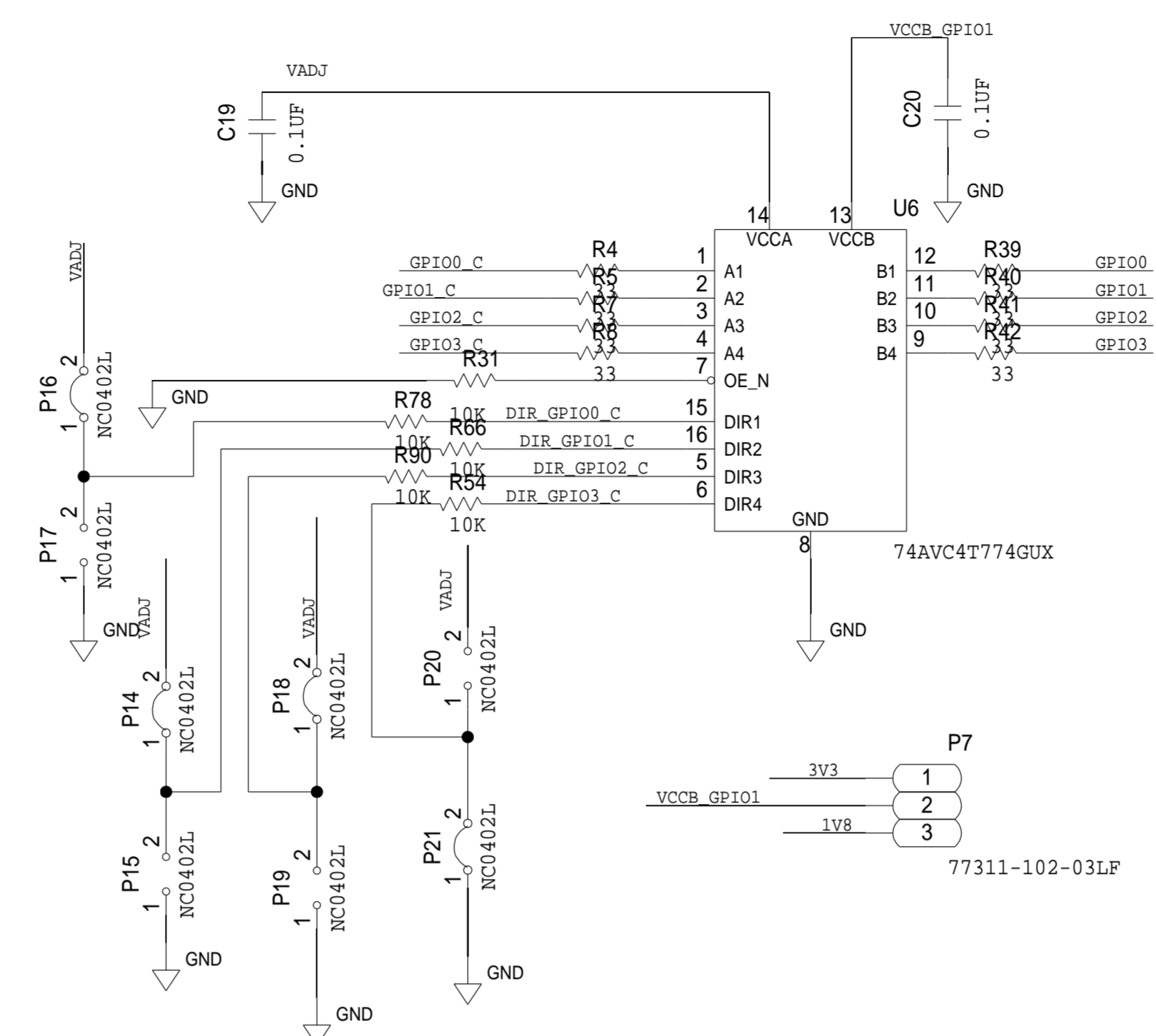
ANALOG DEVICES		SCHEMATIC		
HW TYPE : Customer Evaluation Z		Product(s) : Xmicrowave		
DESIGN VIEW : <DESIGN_VIEW>		DRAWING NO. : 02_066232		REV : B
PTD ENGINEER : A. POP		SIZE : D	SCALE : 1:1	SHEET 4 OF 5

REVISIONS			
REV	DESCRIPTION	DATE	APPROVED

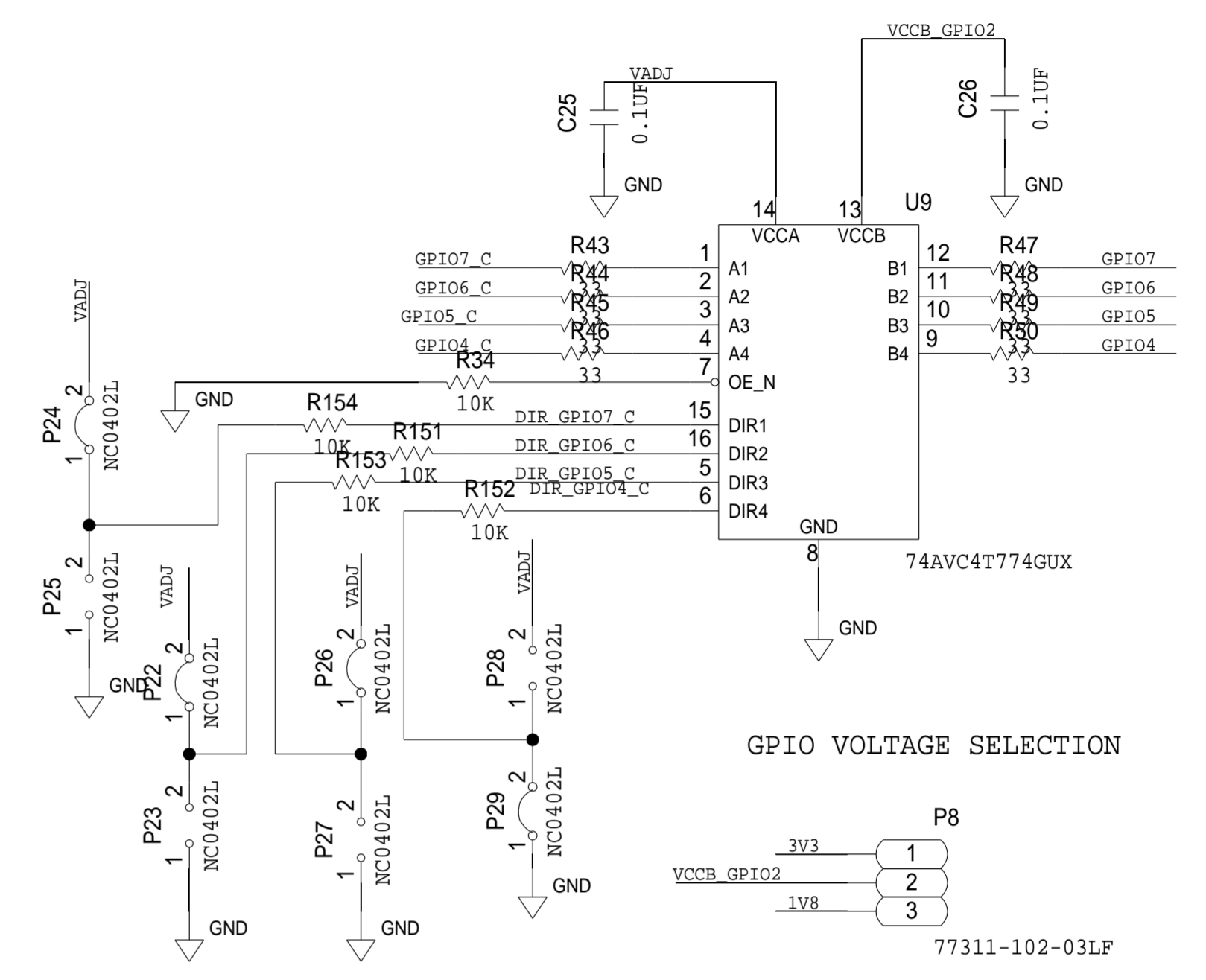
I2C LEVEL SHIFTERS



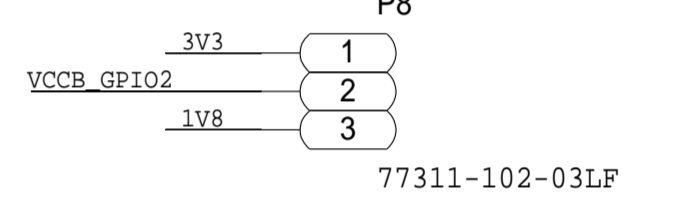
GPIO 0-3



GPIO 4-7

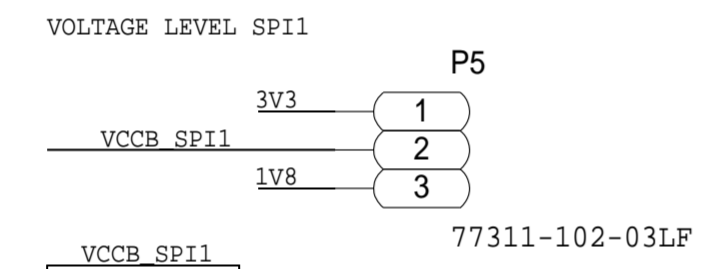


GPIO VOLTAGE SELECTION



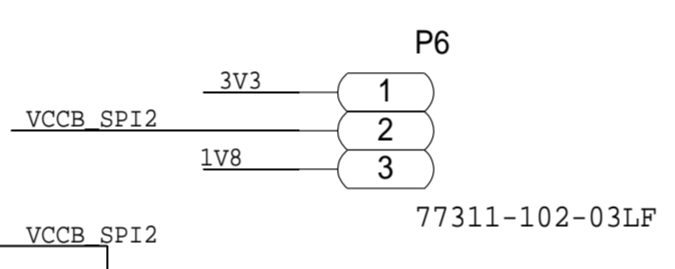
SPI 1

CLK, SDI,

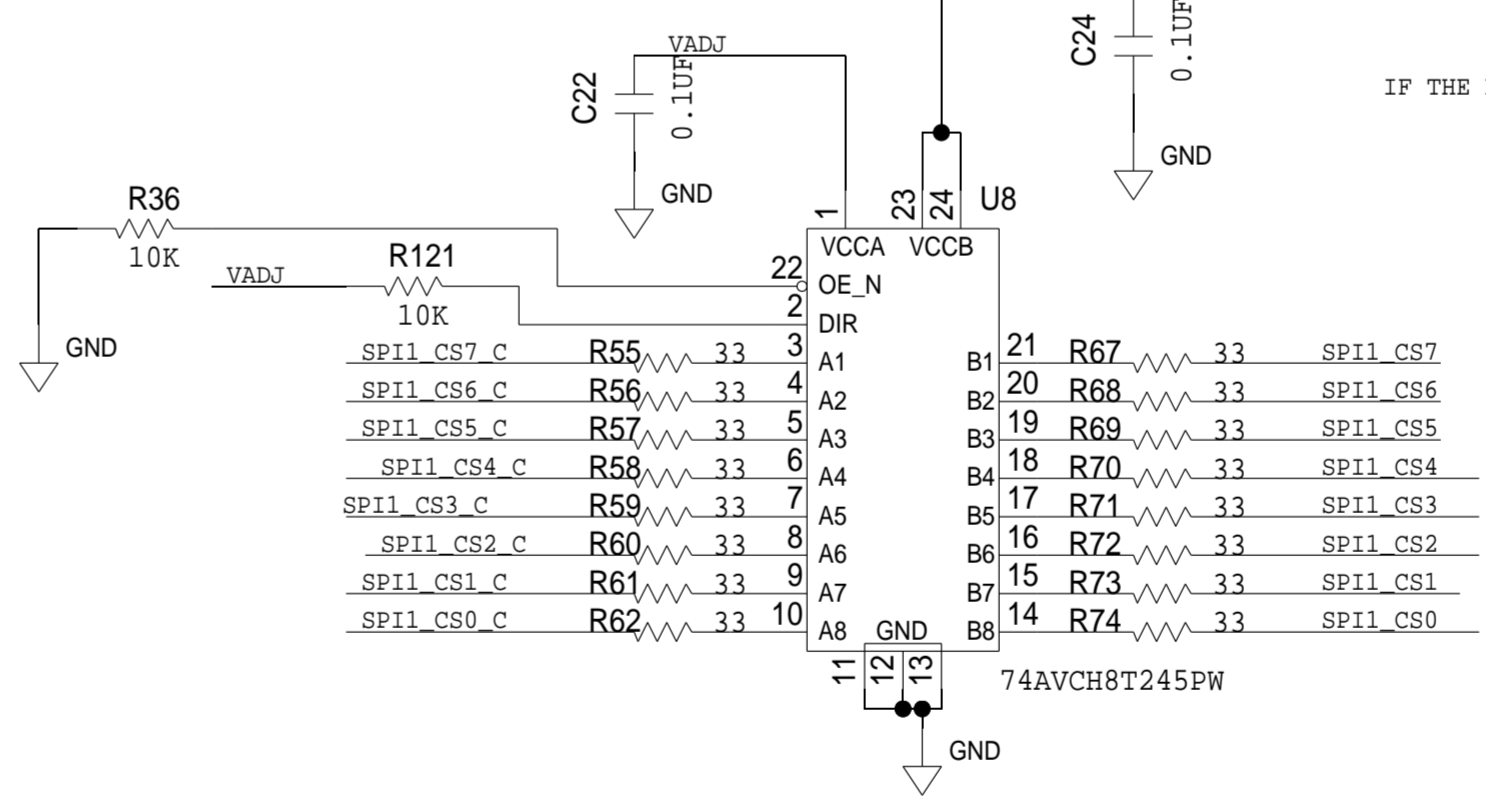


SPI 2

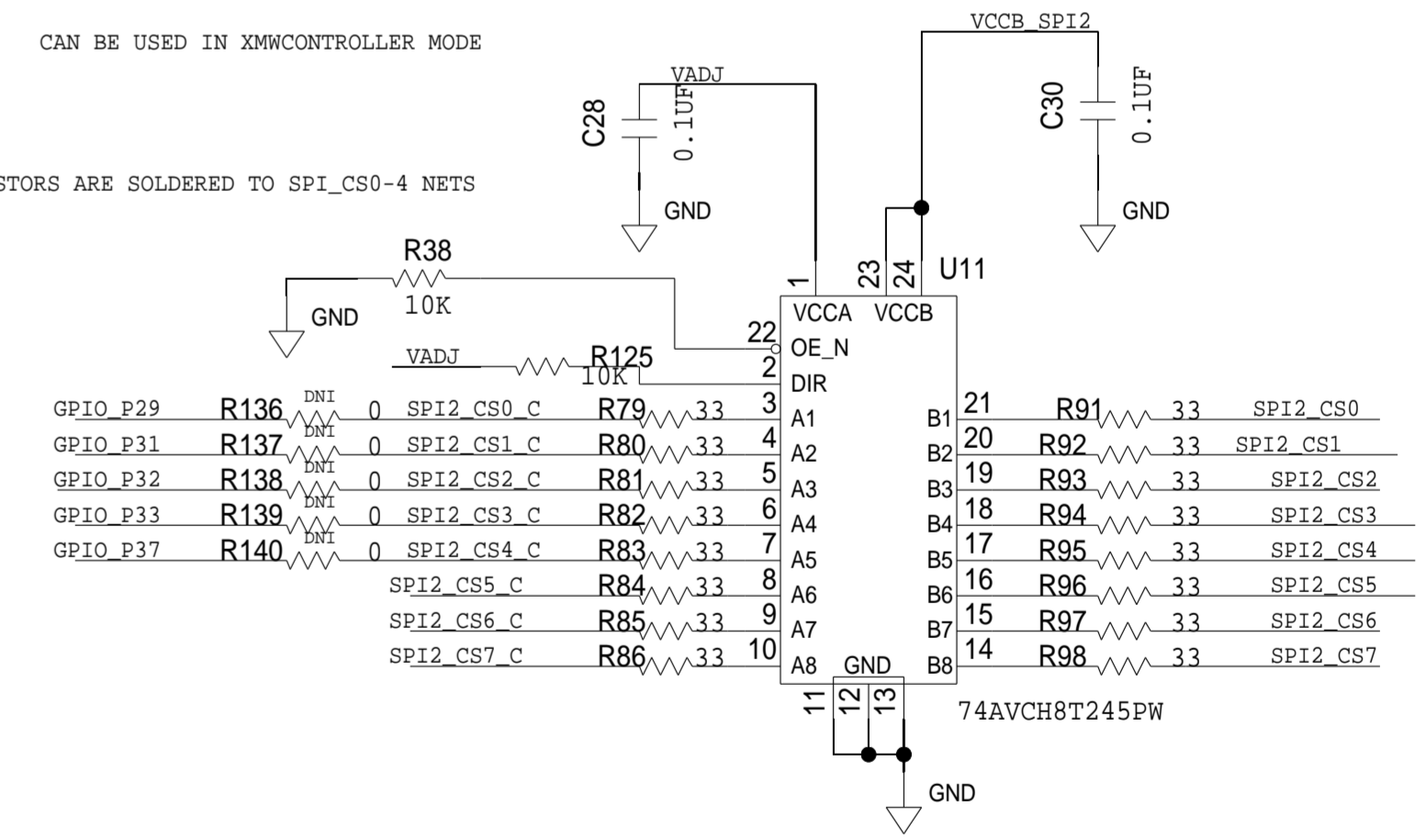
CLK, SDI,



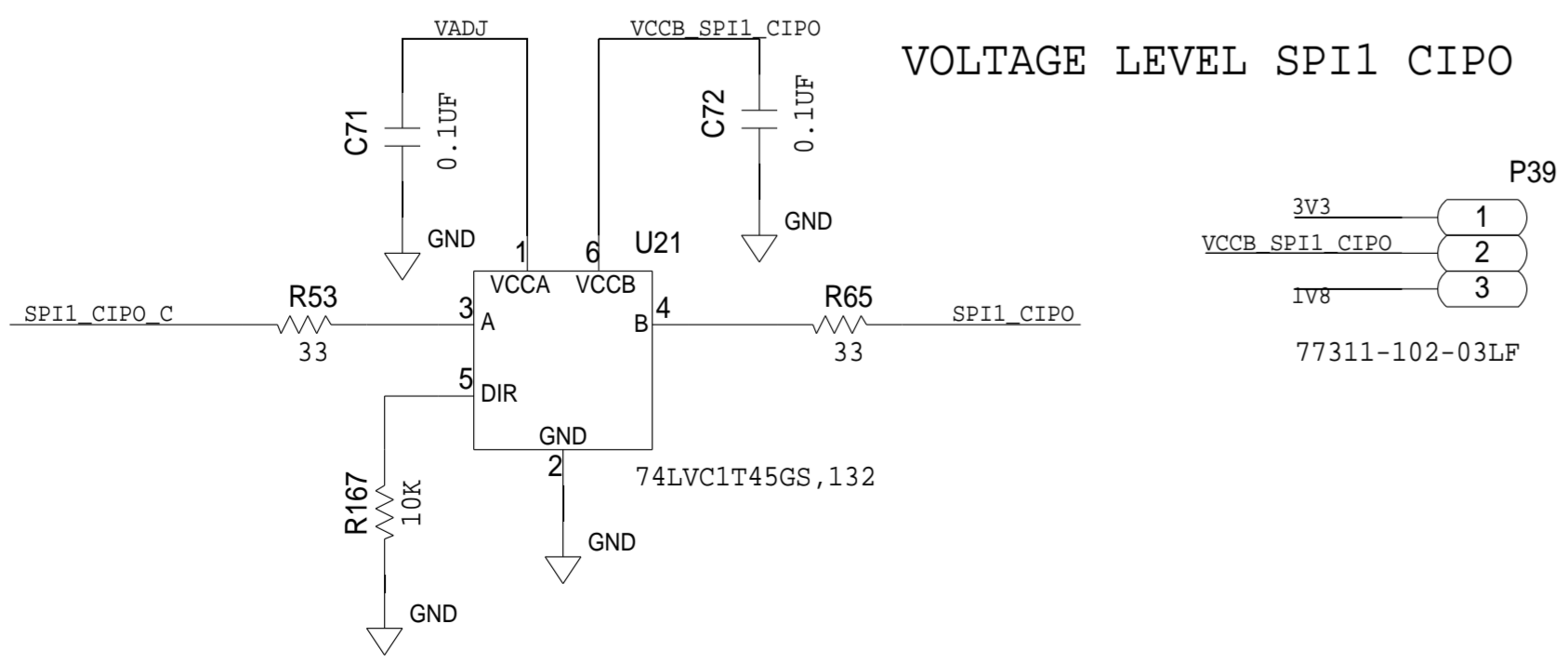
CS0-7 SPI1



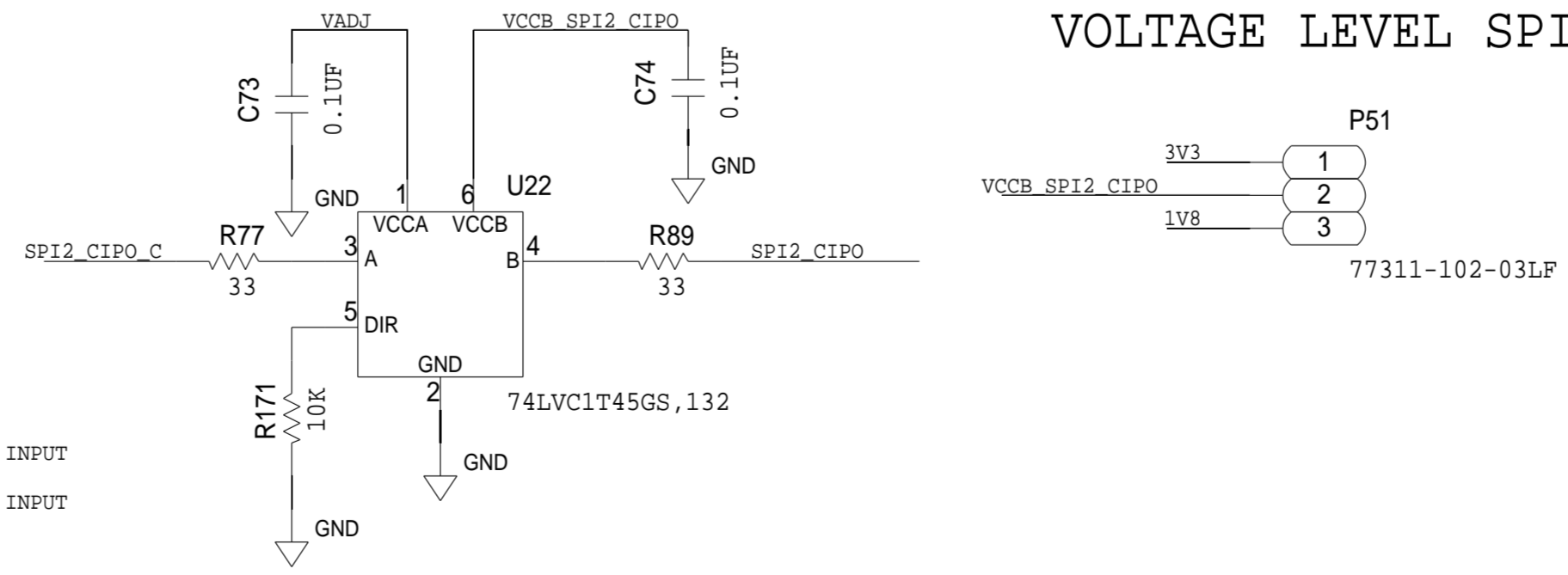
CS0-7 SPI2



VOLTAGE LEVEL SPI1 CIPO



VOLTAGE LEVEL SPI2 CIPO



	SCHEMATIC		
	HW TYPE : Customer Evaluation Z Product(s) : Xmicrowave : N/A		
DESIGN VIEW <DESIGN_VIEW>	DRAWING NO. 02_066232	REV B	
PTD ENGINEER A. POP	SIZE D	SCALE 1:1	SHEET 5 OF 5

HIGH DIR => A INPUT
LOW DIR => B INPUT