

THIS DRAWING IS THE PROPERTY OF ANALOG DEVICES INC. IT IS NOT TO BE REPRODUCED OR COPIED, IN WHOLE OR IN PART, OR USED IN FURNISHING INFORMATION TO OTHERS, OR FOR ANY OTHER PURPOSE DETRIMENTAL TO THE INTERESTS OF ANALOG DEVICES. THE EQUIPMENT SHOWN HEREON MAY BE PROTECTED BY PATENTS OWNED OR CONTROLLED BY ANALOG DEVICES.

REVISIONS			
REV	DESCRIPTION	DATE	APPROVED
A	INITIAL RELEASE	03MAY23	M. BANCISOR
B	CHANGES PER ECR 116326	24AUG23	M. BANCISOR
C	CHANGES PER ECR 116941	11SEP23	M. BANCISOR

JUMPER TABLE		
JP#	ON	OFF
1		
2		
3		
4		
5		

* SEE ASSEMBLY INSTRUCTIONS

RELAY CONTROL CHART

CONTROL	CODE	DEVICE	FUNCTION	CONNECTOR

P.O SPEC.	BK/BD SPEC.	SOCKET OEM	OEM PART#	HANDLER

TEMPLATE ENGINEER -	DATE	SCHEMATIC	
HARDWARE SERVICES M. VALE	03MAY23		
HARDWARE SYSTEMS -		HW TYPE : AD-APARD32690-SL	
TEST ENGINEER -		Product(s) : MAX32690	
COMPONENT ENGINEER N. CATALAN	03MAY23	: MAX32690	
TEST PROCESS -		PACKAGE : Arduino Form Factor	
HARDWARE RELEASE K. JABATAN	03MAY23	<User Define>	
DESIGNER S. DE CASTRO	03MAY23	<User Define>	
PTD ENGINEER M. BANCISOR	03MAY23	<User Define>	
CHECKER -			

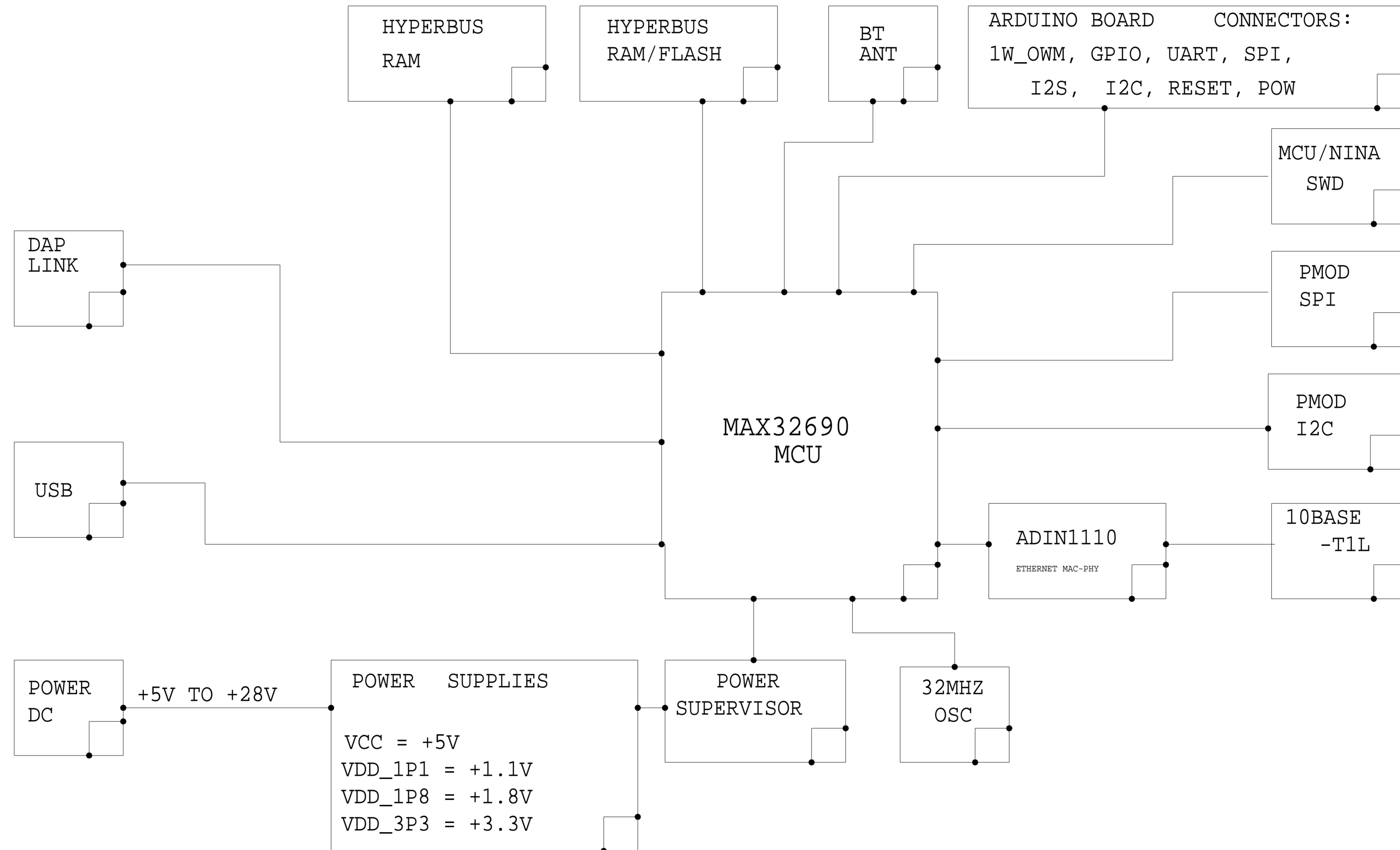
MASTER PROJECT TEMPLATE TBD	TESTER TEMPLATE 067676_b	DRAWING NO. 02_073637	REV. C
UNLESS OTHERWISE SPECIFIED DIMENSIONS ARE IN INCHES		SIZE D	SCALE 1:1
TOLERANCES		CODE ID NO. CodeID	SHEET 1 OF 7
DECIMALS X.XX +0.010 X.XXX +0.005	FRACTIONS +1/32	ANGLES +2	

REVISIONS			
REV	DESCRIPTION	DATE	APPROVED

CONTENT:

- Page 2: BLOCK DIAGRAM
- Page 3: MCU & MEMORY
- Page 4: BOARD CONNECTORS & WIFI
- Page 5: TH TESTPOINTS
- PAGE 6: POWER SUPPLIES
- PAGE 7: ADIN1110 10BASE-T1L MACPHY

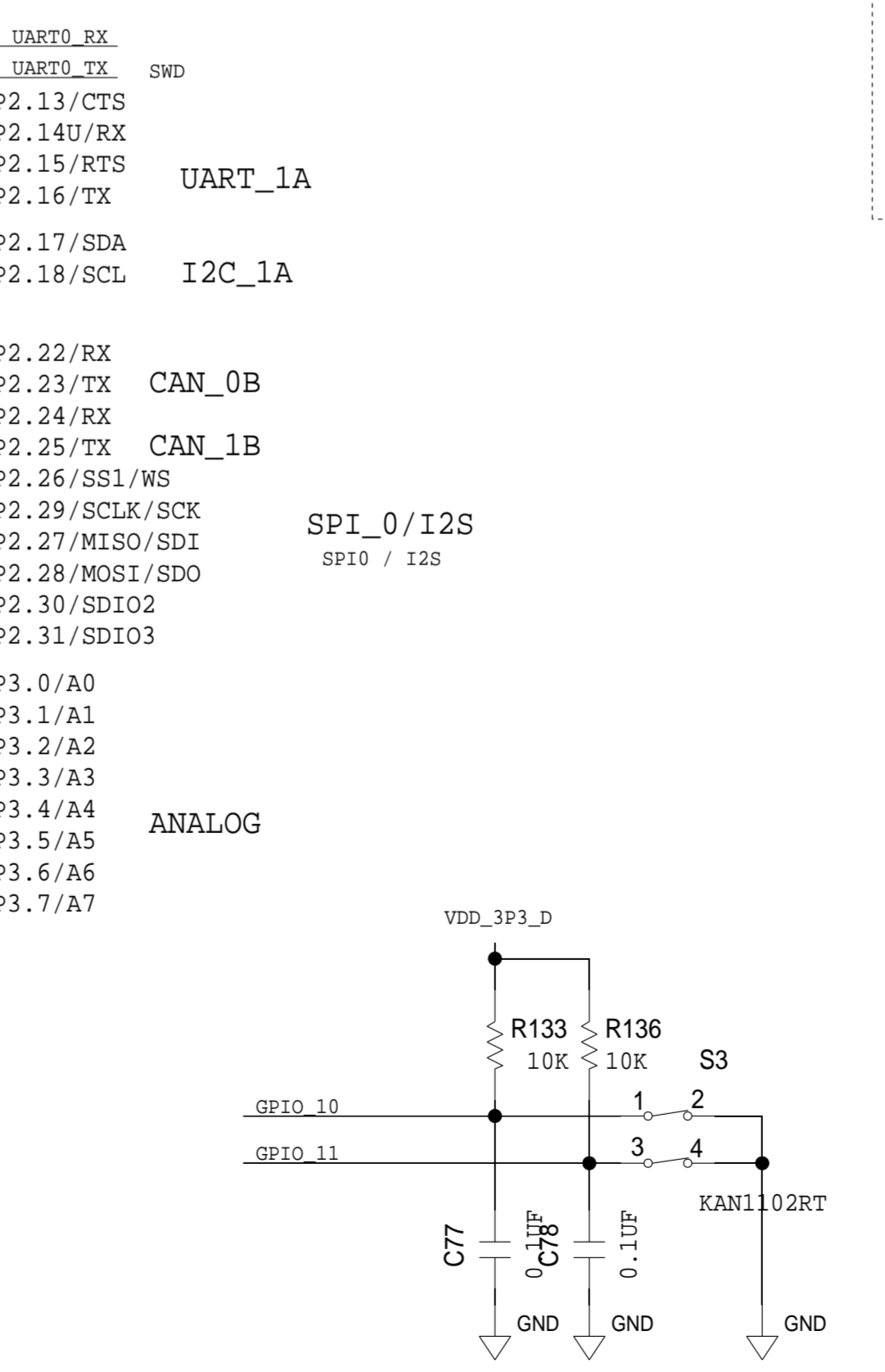
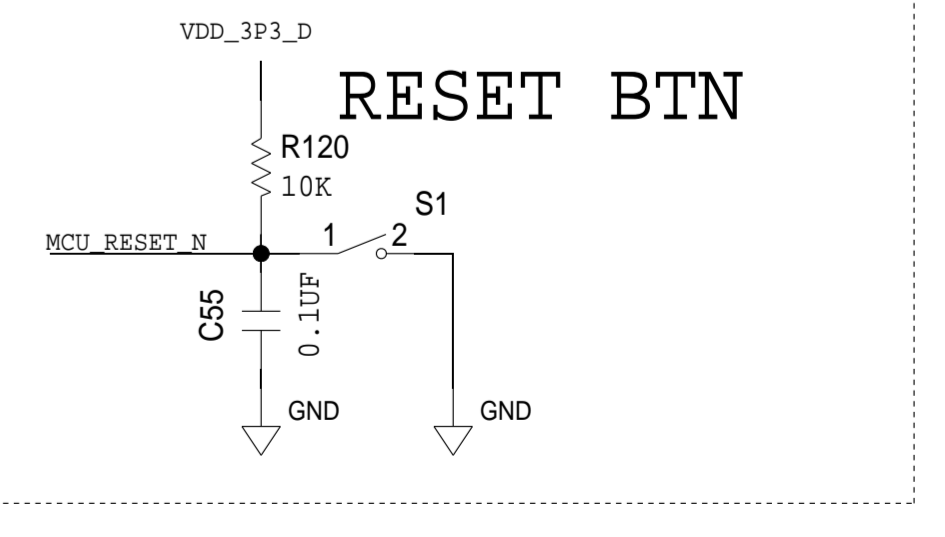
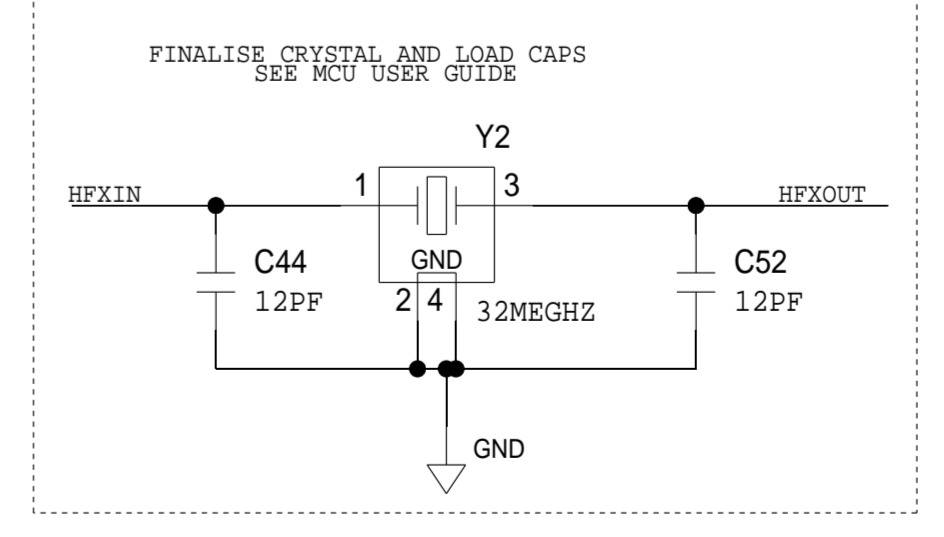
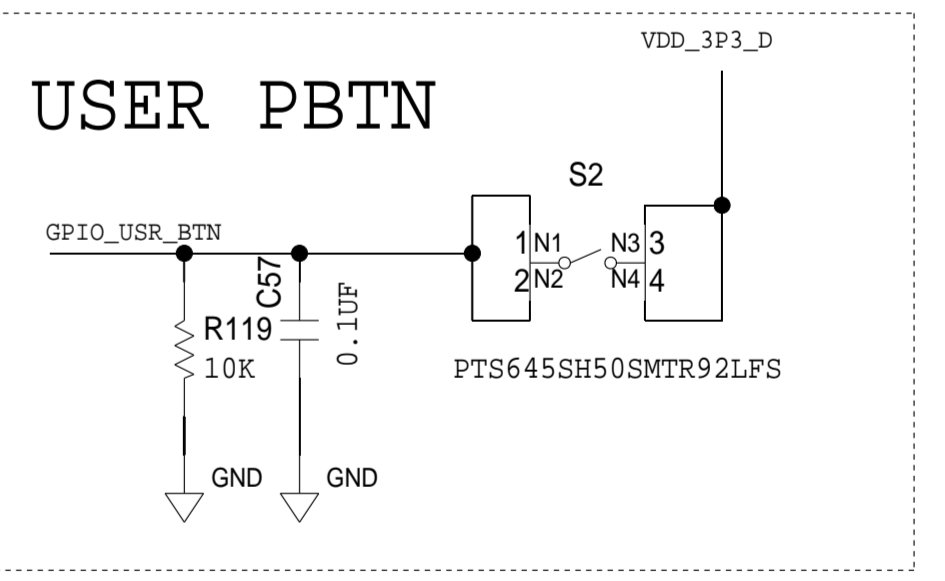
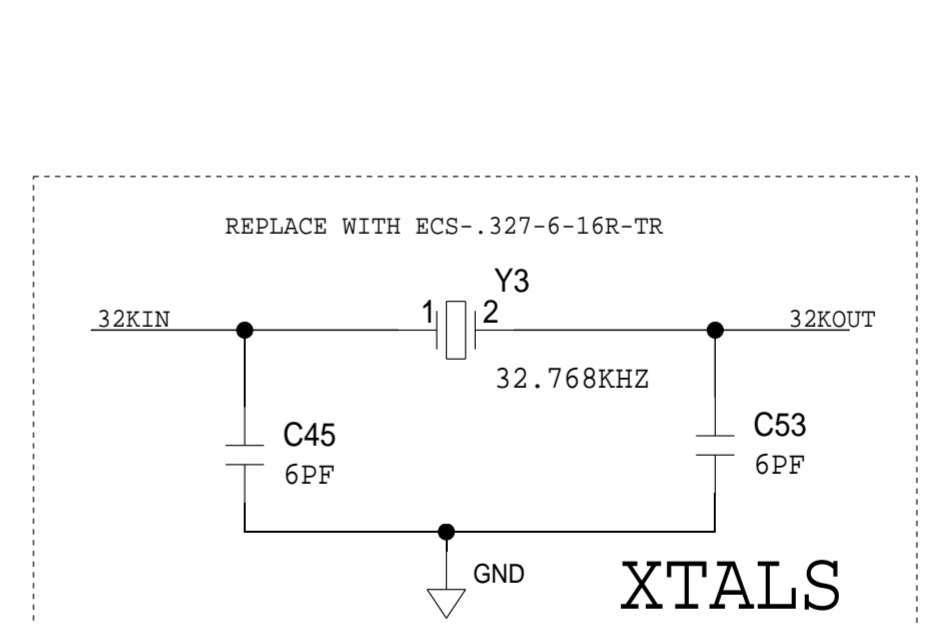
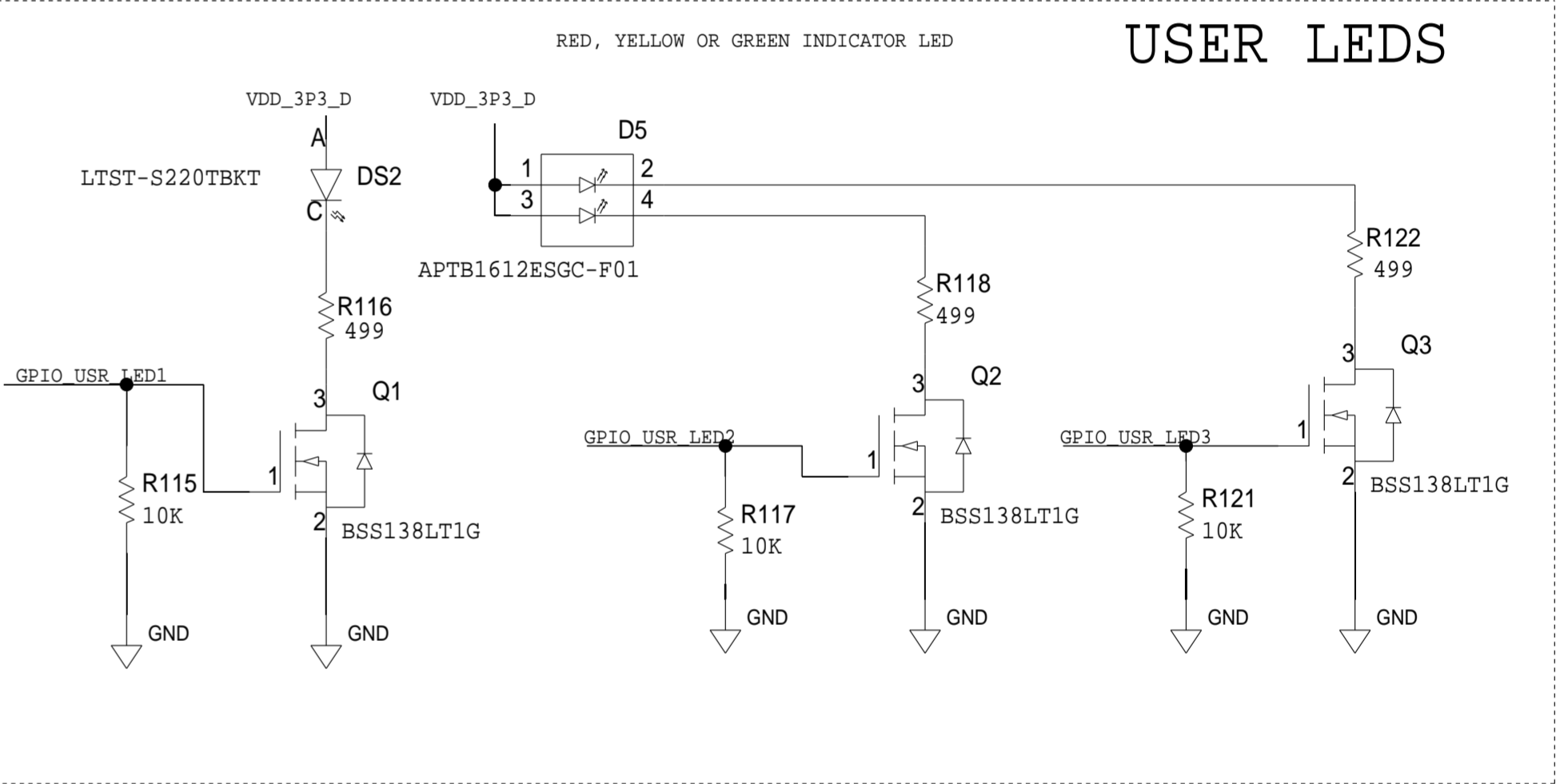
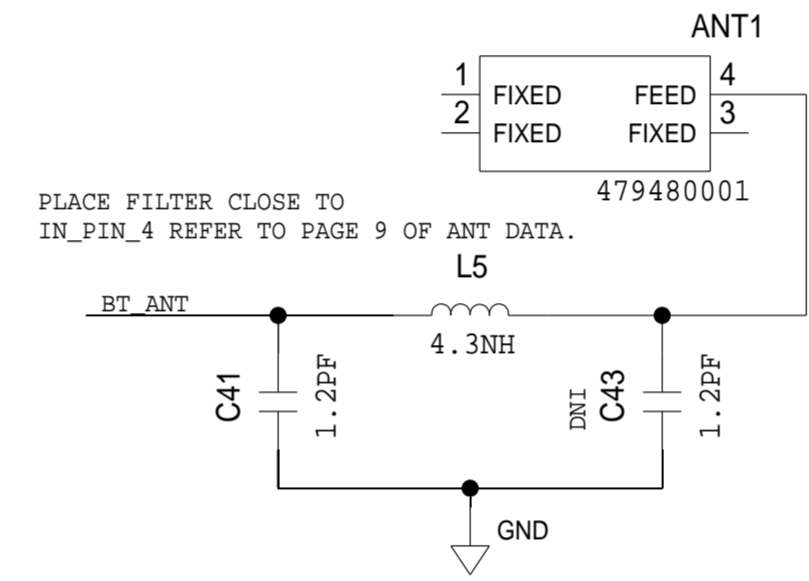
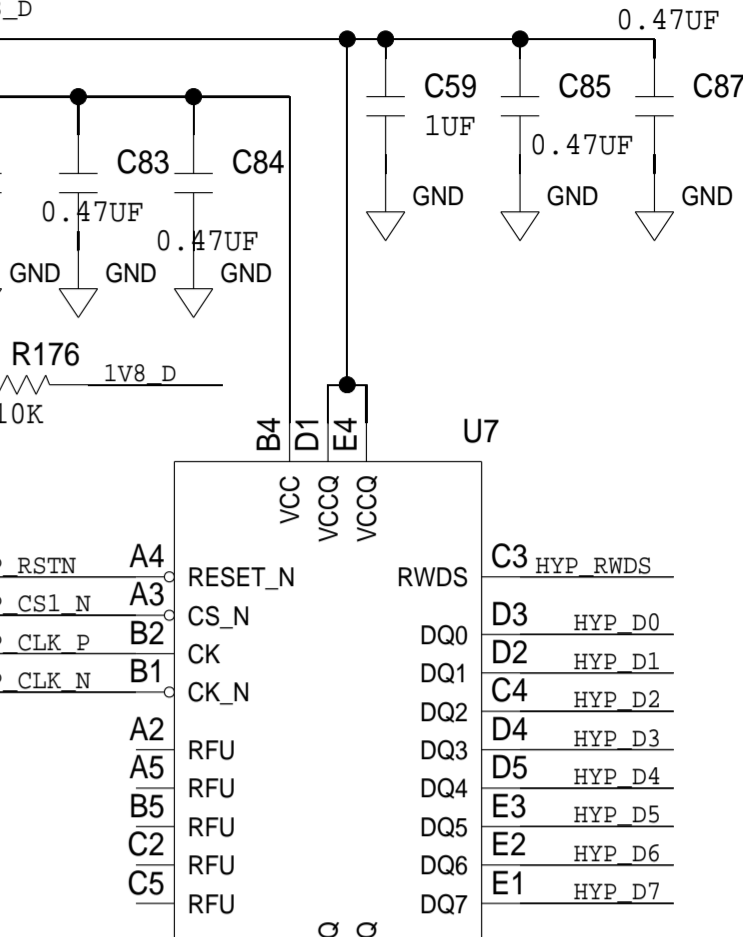
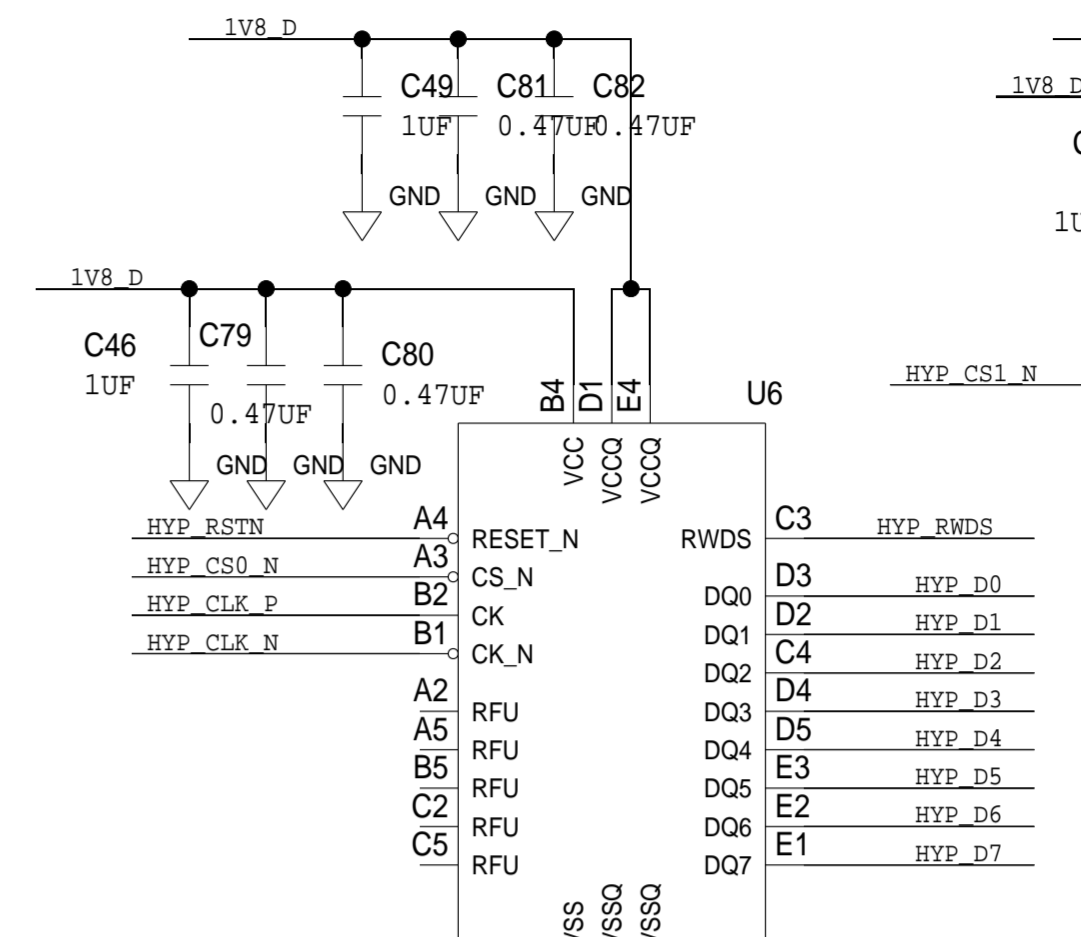
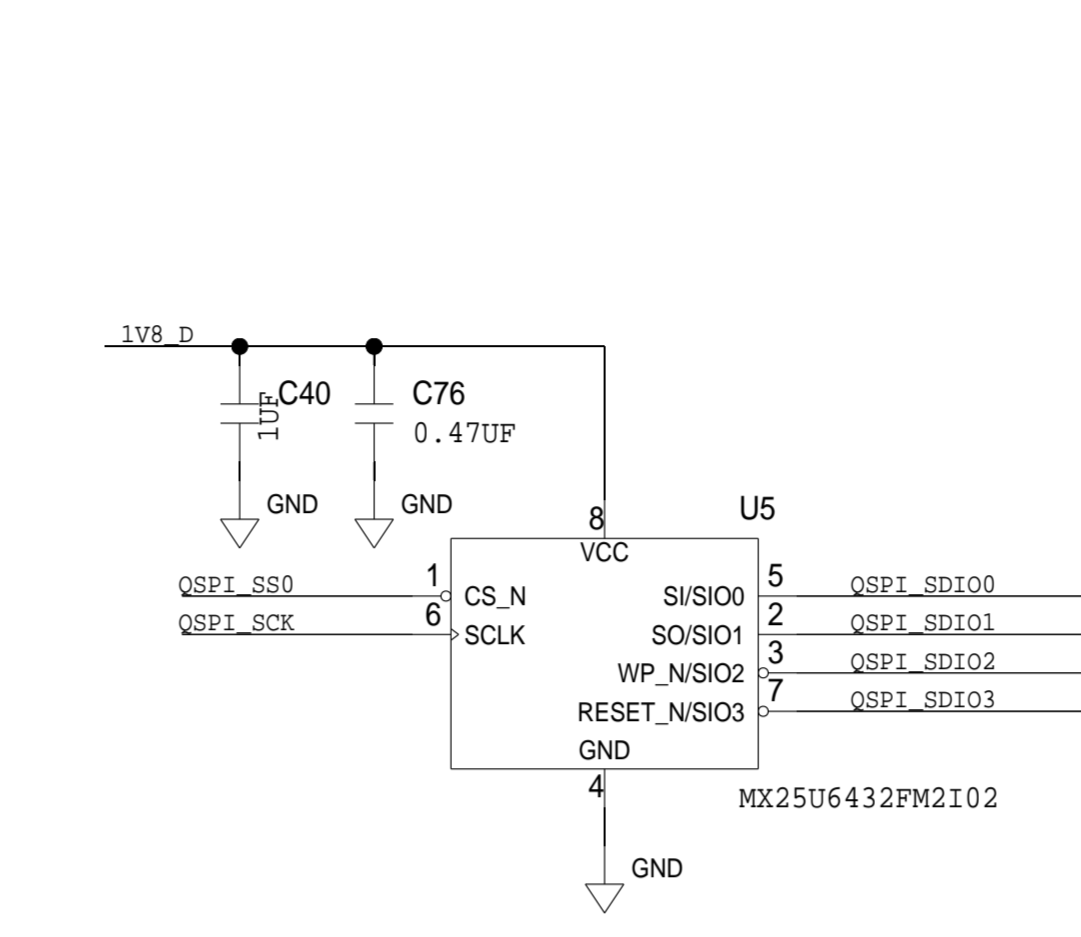
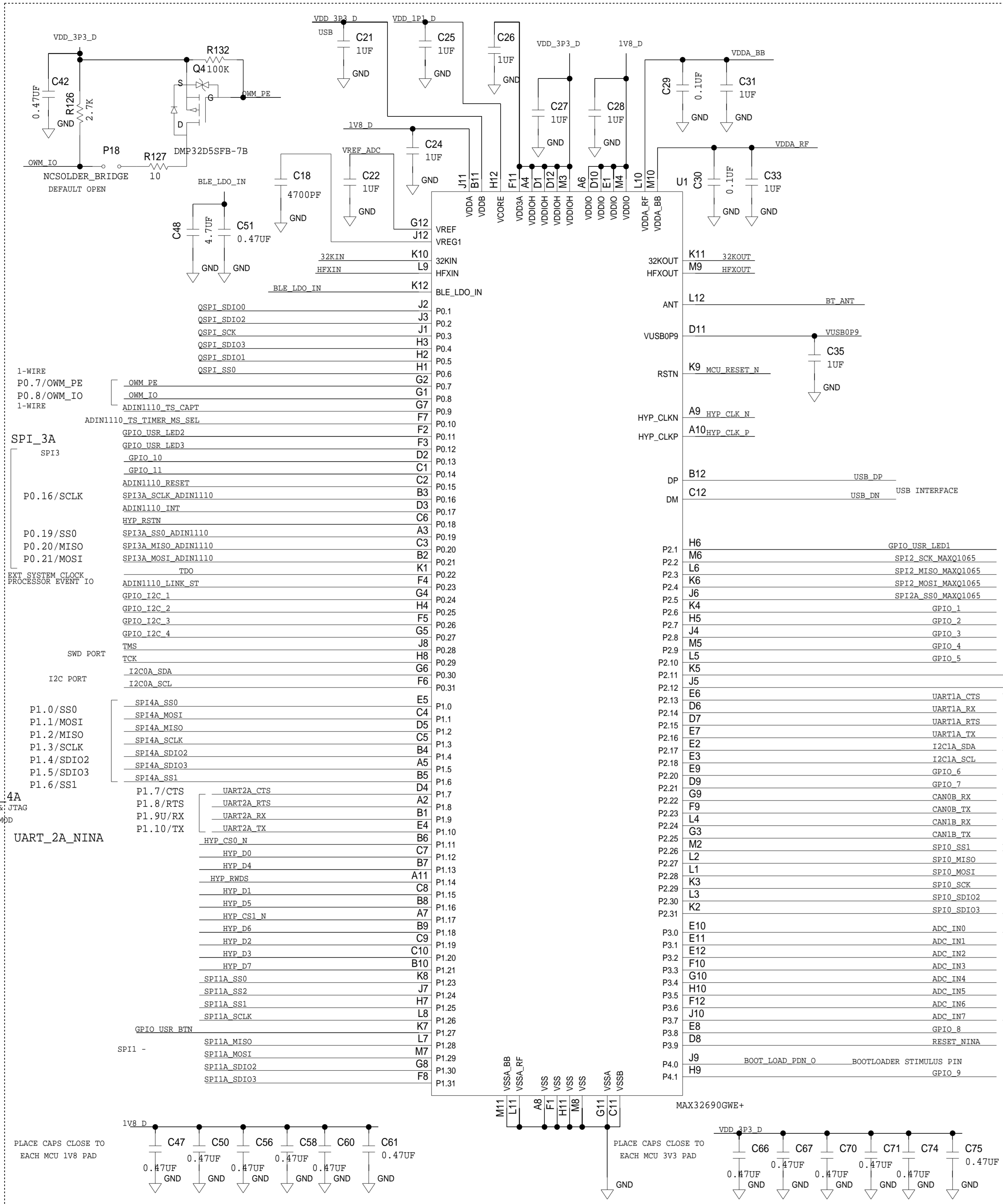
BLOCK DIAGRAM



	SCHEMATIC		
	HW TYPE : AD-APARD32690-SL Product (s) : MAX32690 : MAX32690		
<small>THIS DRAWING IS THE PROPERTY OF ANALOG DEVICES INC. IT IS NOT TO BE REPRODUCED OR COPIED, IN WHOLE OR IN PART, OR USED IN FURNISHING INFORMATION TO OTHERS, OR FOR ANY OTHER PURPOSE DETRIMENTAL TO THE INTERESTS OF ANALOG DEVICES. THE EQUIPMENT SHOWN HEREON MAY BE PROTECTED BY PATENTS OWNED OR CONTROLLED BY ANALOG DEVICES.</small>	DESIGN VIEW <DESIGN_VIEW>	DRAWING NO. 02_073637	REV C
PTD ENGINEER M. BANCISOR	SIZE D	SCALE 1:1	SHEET 2 OF 7

REVISIONS			
REV	DESCRIPTION	DATE	APPROVED

MCU & MEMORY



ANALOG DEVICES

SCHMATIC

HW TYPE : AD-APARD32690-SL
Product(s) : MAX32690
: MAX32690

DESIGN VIEW : <DESIGN_VIEW>

PTD ENGINEER : M. BANCISOR

DRAWING NO. : 02_073637

SIZE : D

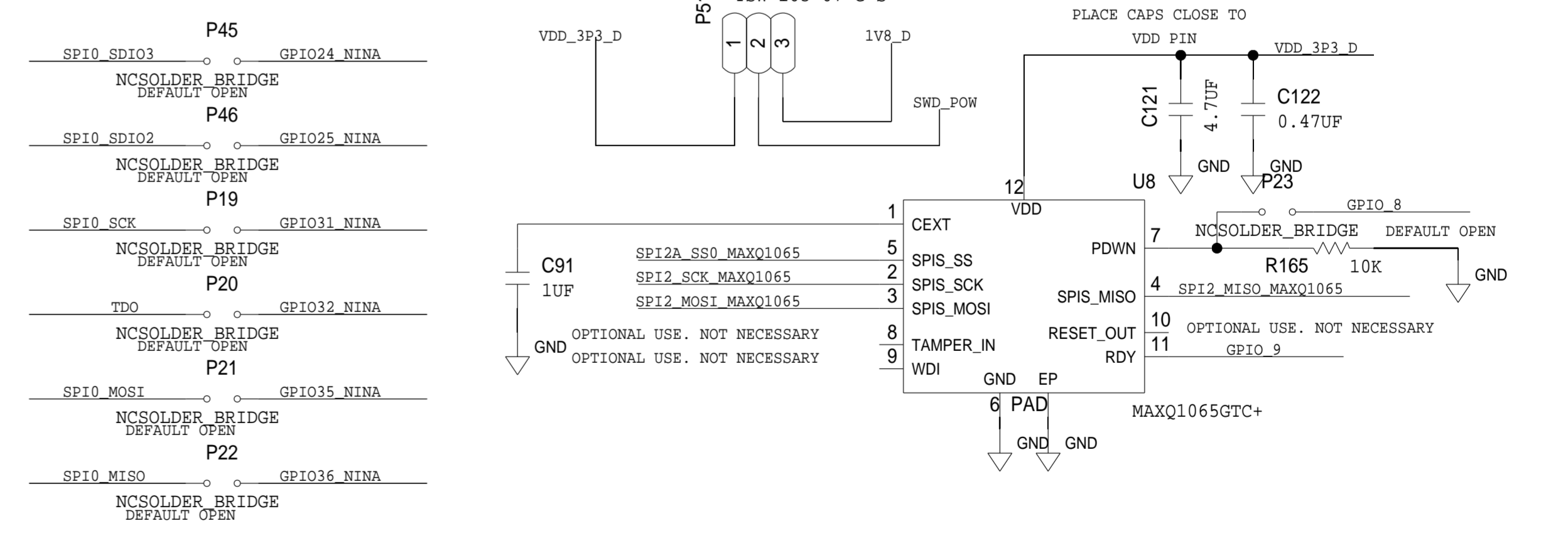
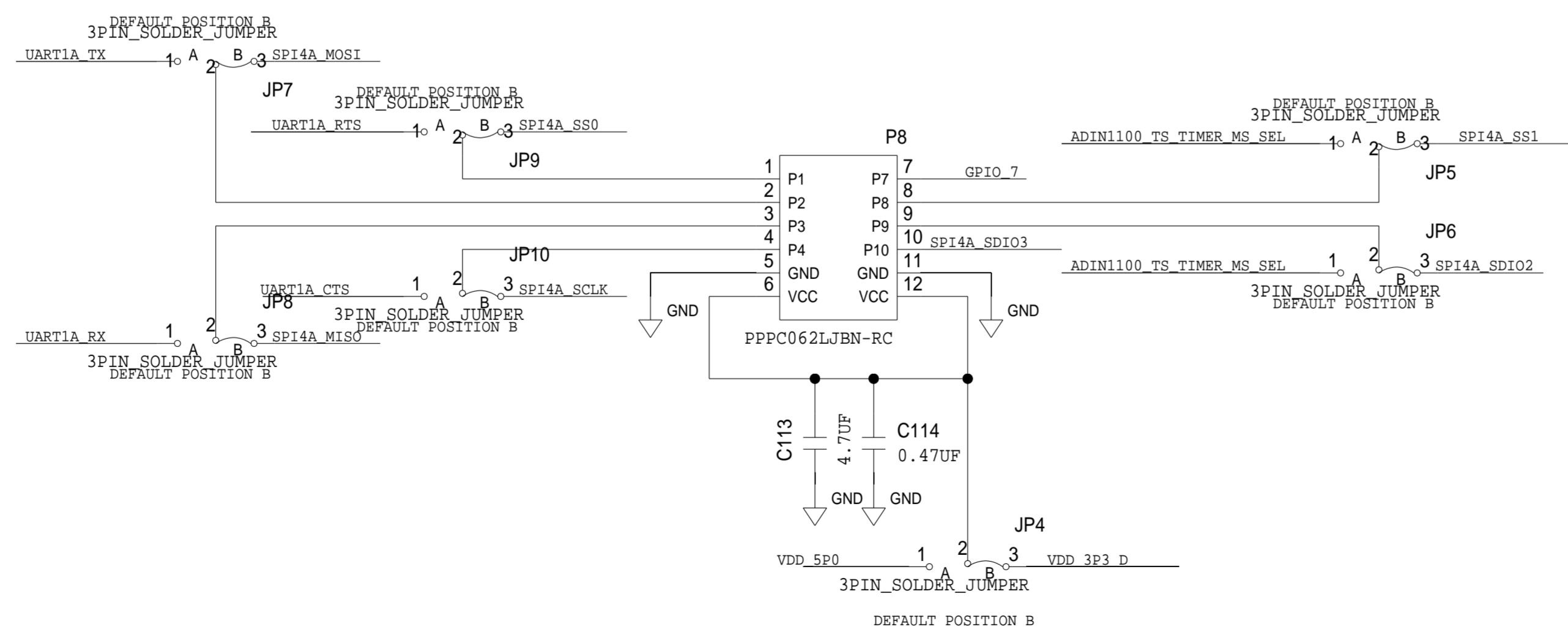
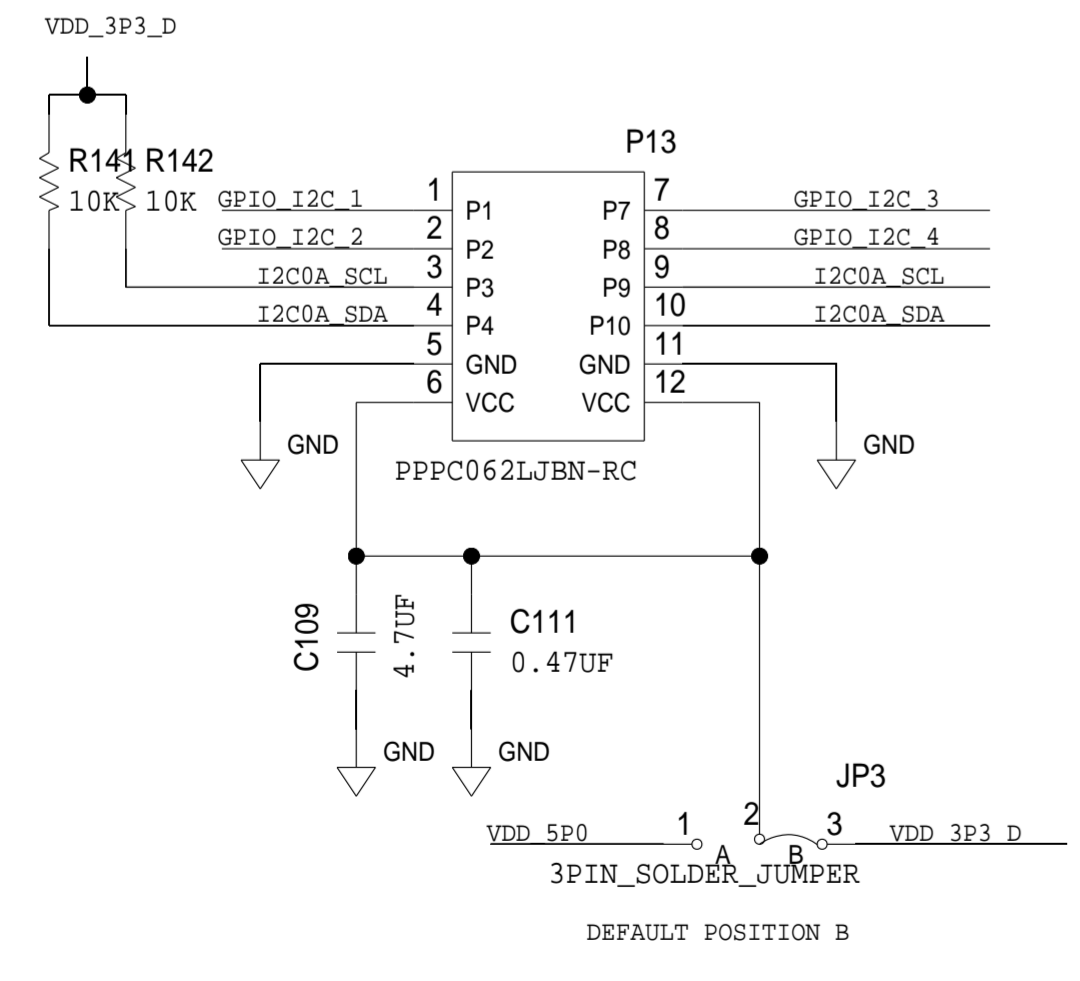
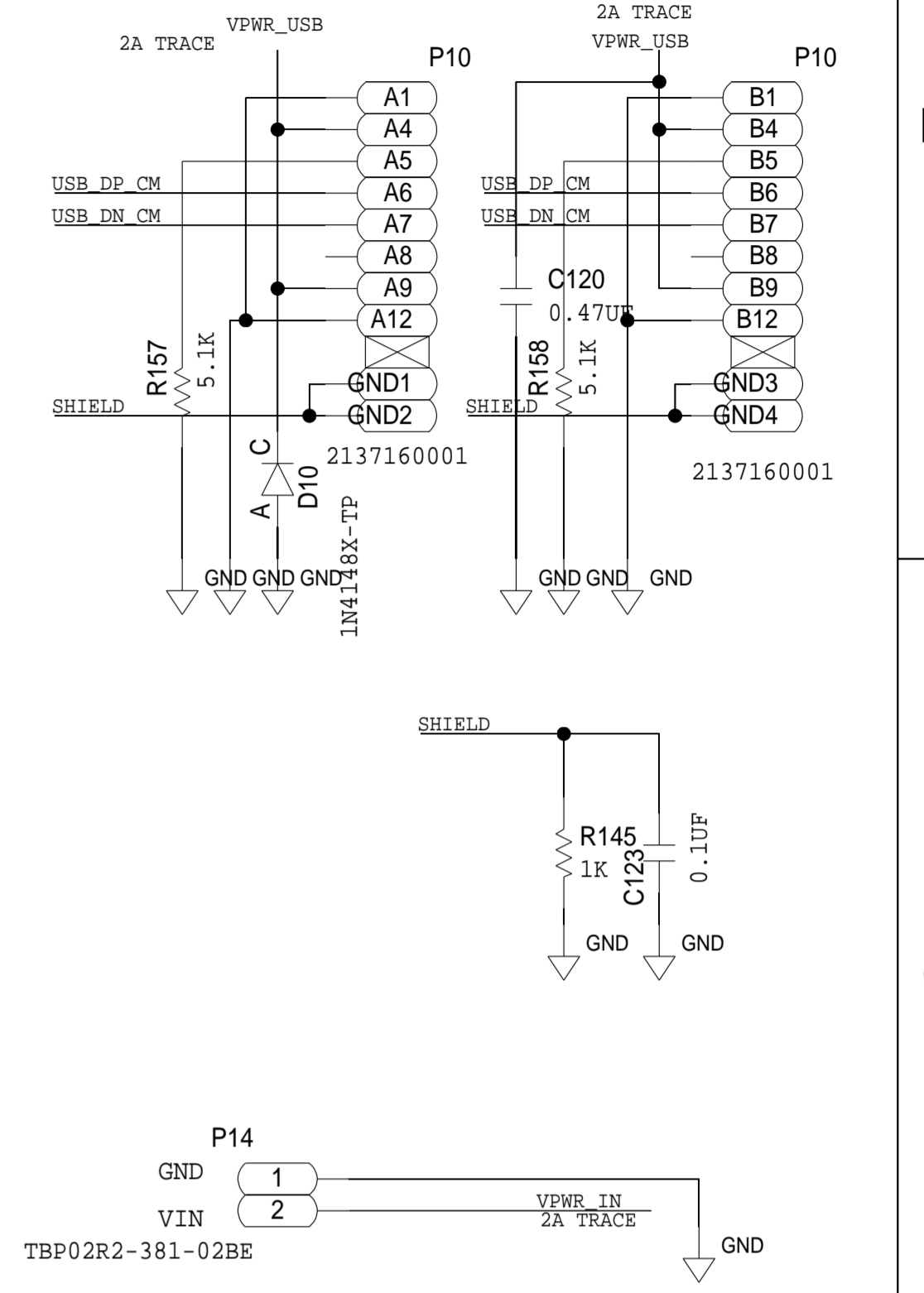
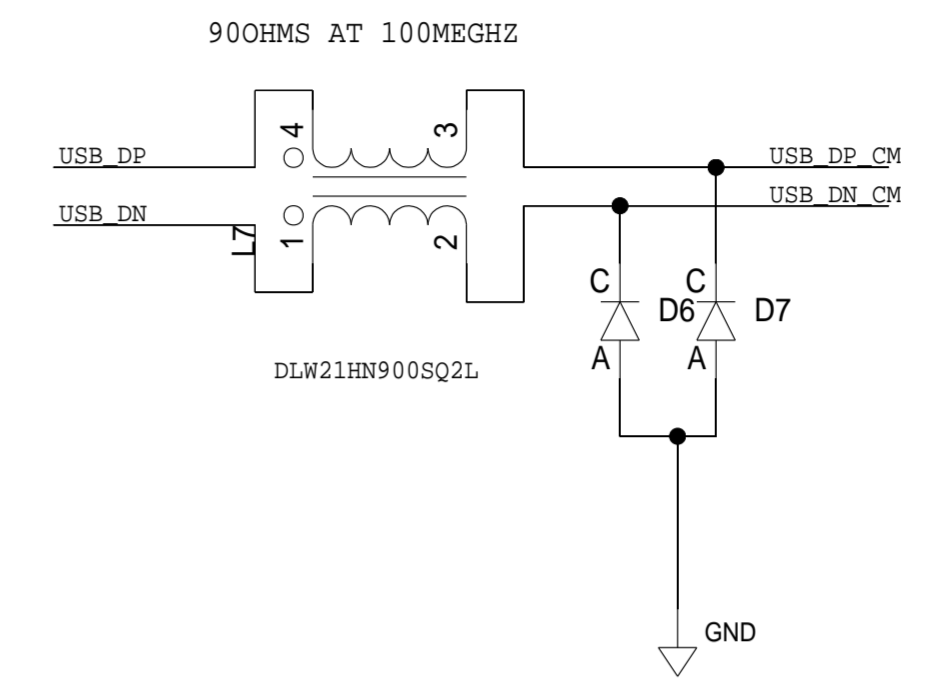
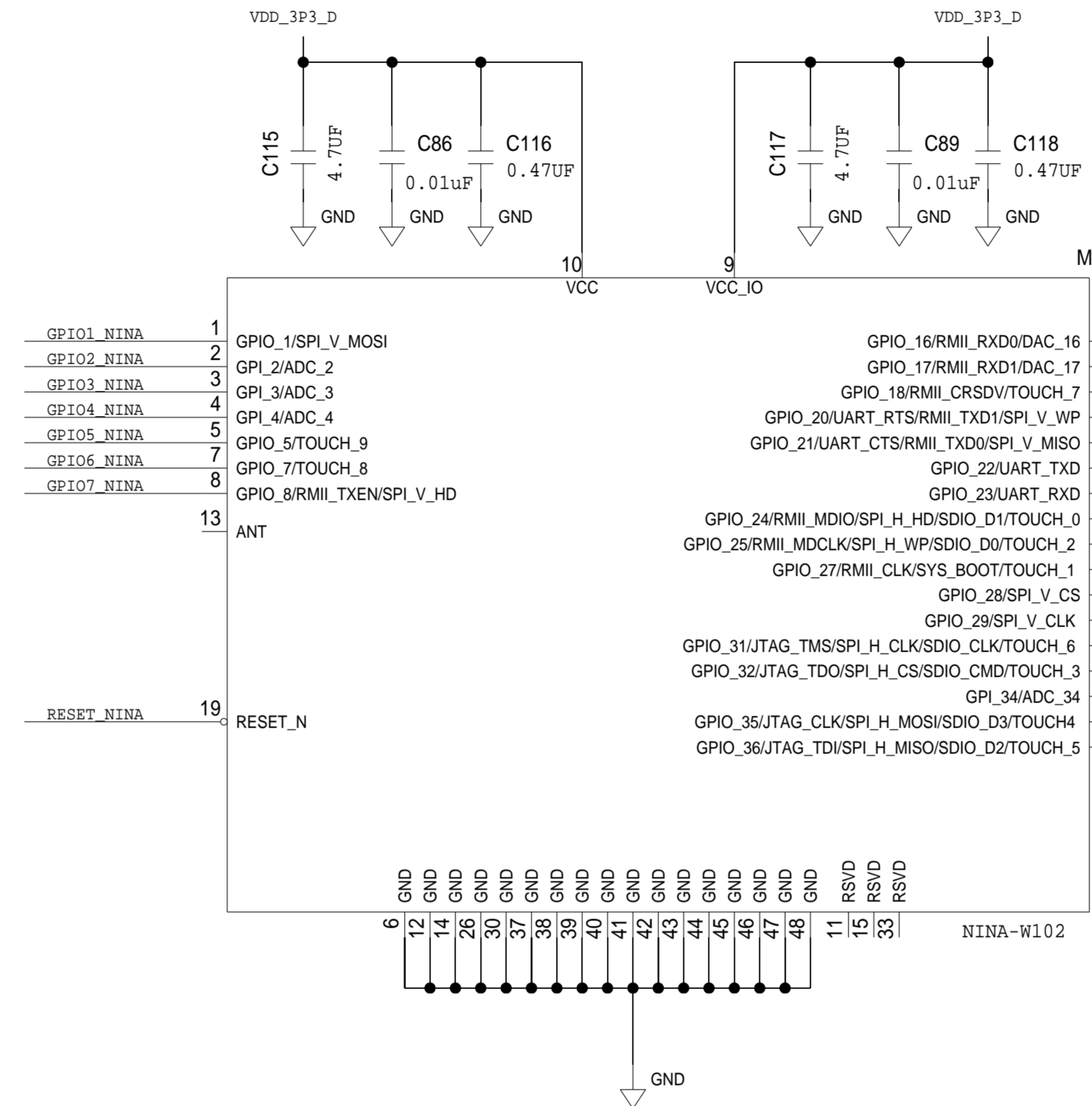
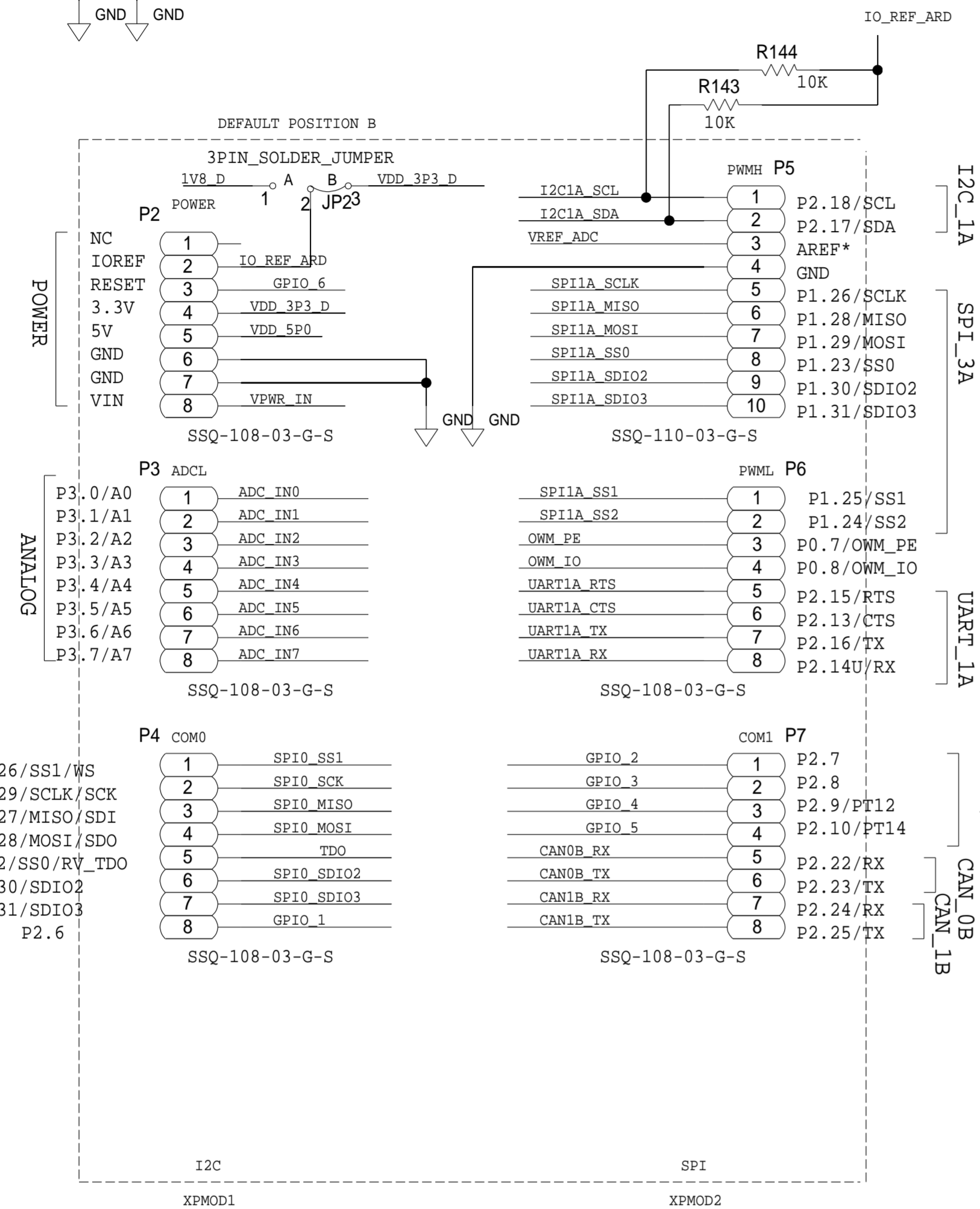
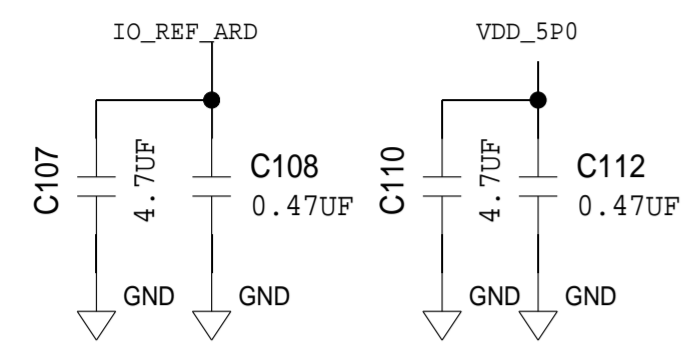
SCALE : 1:1

SHEET 3 OF 7

REV : C

CONNECTORS AND WIFI

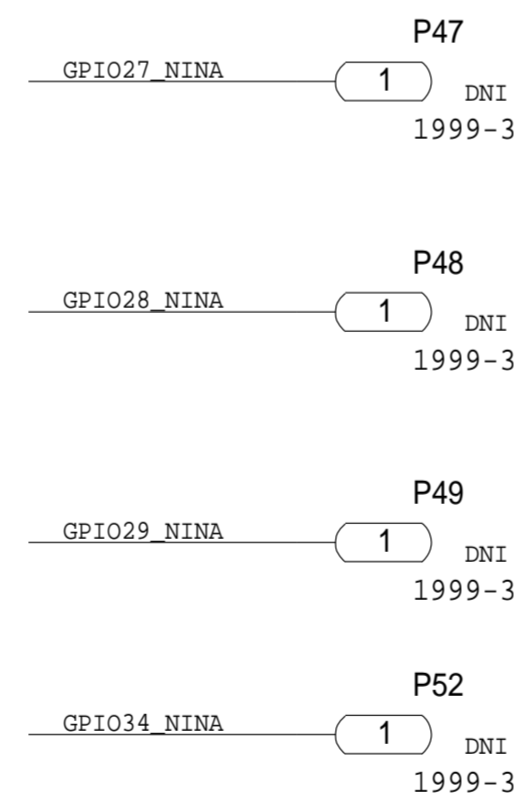
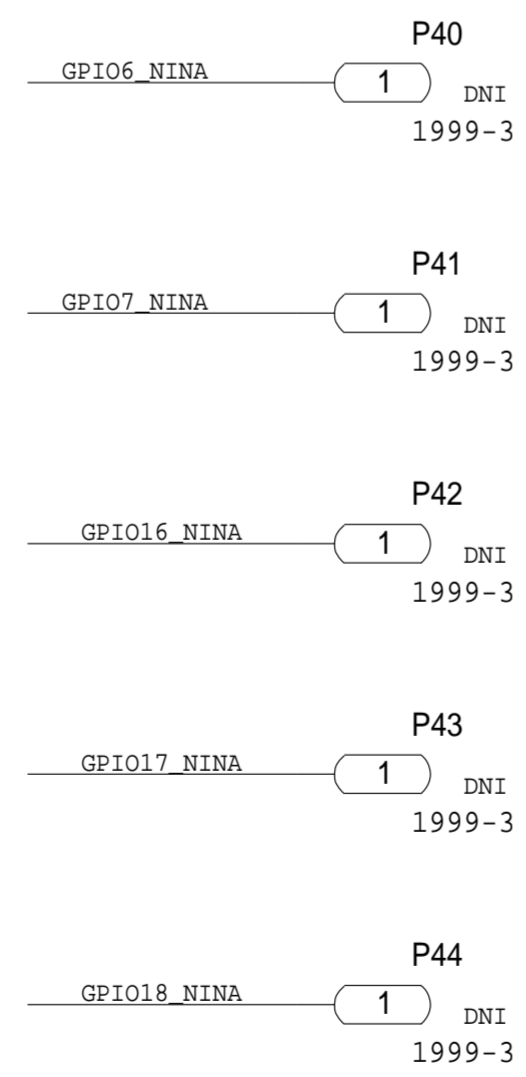
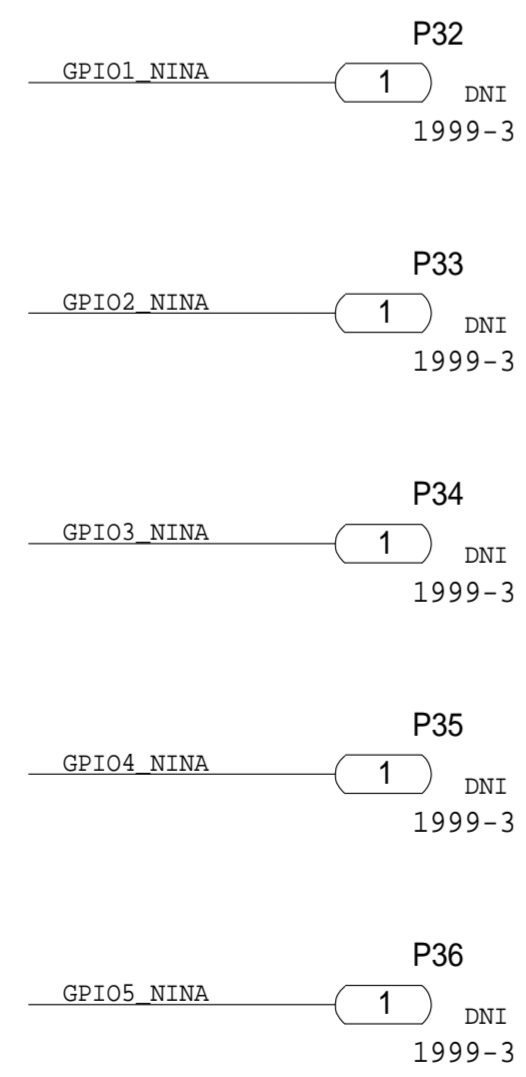
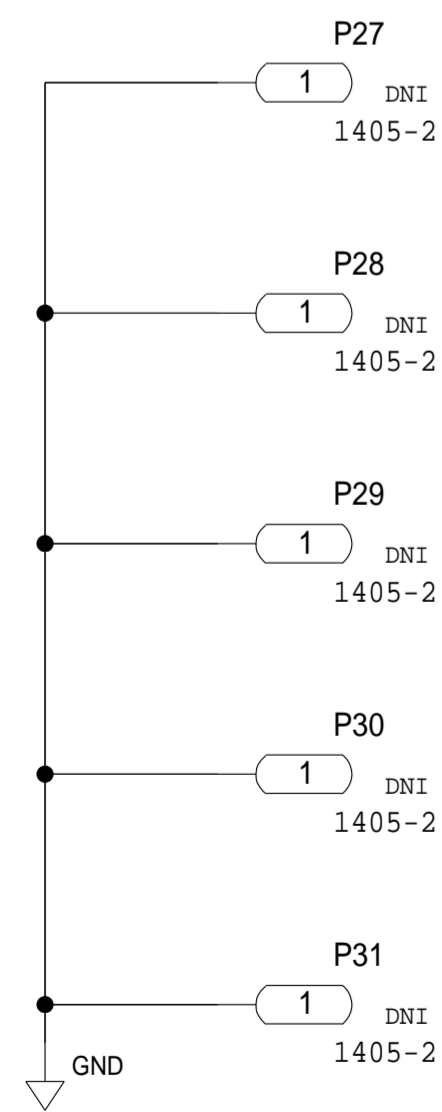
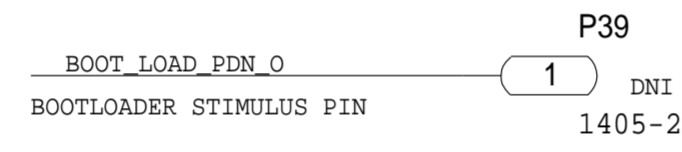
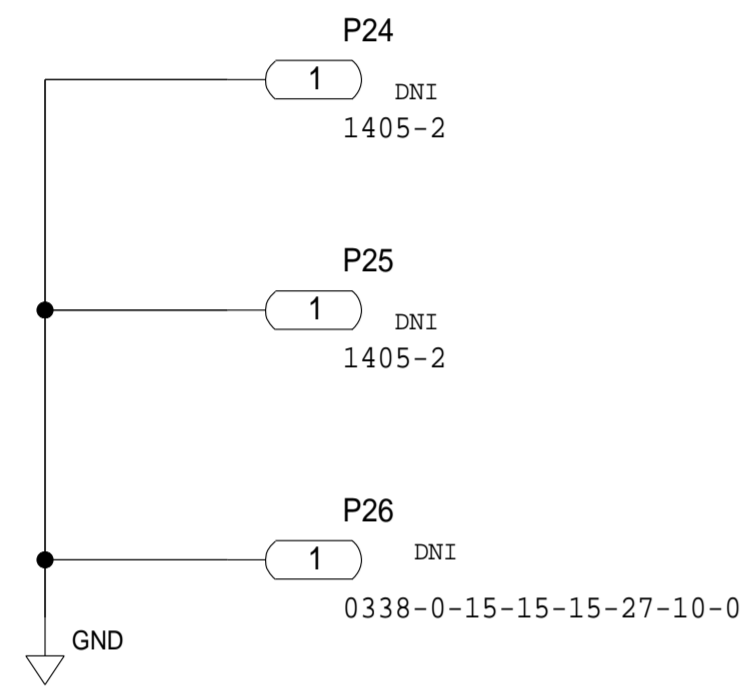
REVISIONS			
REV	DESCRIPTION	DATE	APPROVED



	SCHEMATIC		
	HW TYPE : AD-APARD32690-SL Product(s) : MAX32690 : MAX32690		
DESIGN VIEW <DESIGN_VIEW>	DRAWING NO. 02_073637	REV C	
PTD ENGINEER M. BANCISOR	SIZE D	SCALE 1:1	SHEET 4 OF 7

TH TESTPOINTS

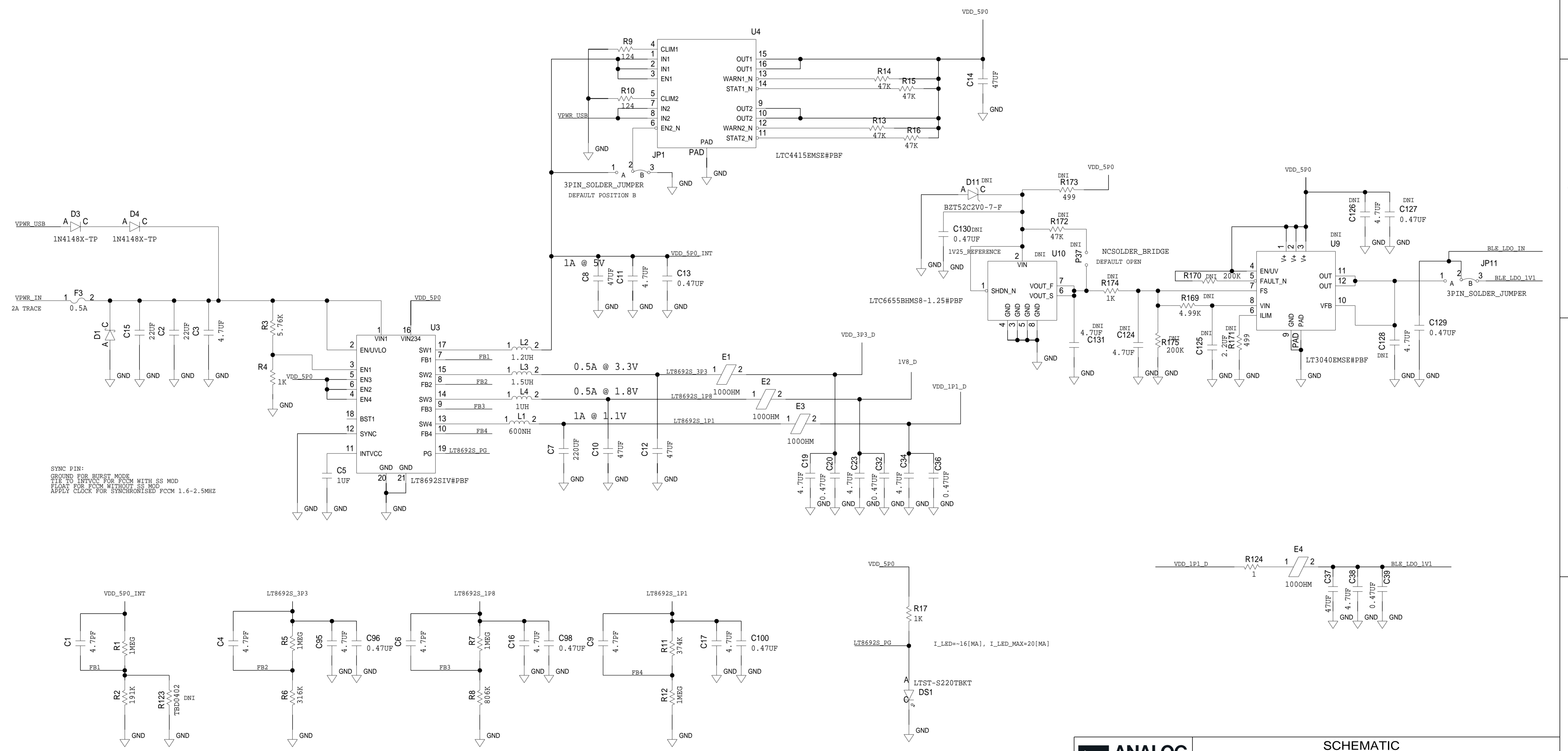
REVISIONS			
REV	DESCRIPTION	DATE	APPROVED



	SCHEMATIC		
	HW TYPE : AD-APARD32690-SL Product(s) : MAX32690 : MAX32690		
<small>THIS DRAWING IS THE PROPERTY OF ANALOG DEVICES INC. IT IS NOT TO BE REPRODUCED OR COPIED, IN WHOLE OR IN PART, OR USED IN FURNISHING INFORMATION TO OTHERS, OR FOR ANY OTHER PURPOSE DETRIMENTAL TO THE INTERESTS OF ANALOG DEVICES. THE EQUIPMENT SHOWN HEREON MAY BE PROTECTED BY PATENTS OWNED OR CONTROLLED BY ANALOG DEVICES.</small>	DESIGN VIEW <DESIGN_VIEW>	DRAWING NO. 02_073637	REV C
	PTD ENGINEER M. BANCISOR	SIZE D	SCALE 1:1

REVISIONS			
REV	DESCRIPTION	DATE	APPROVED

POWER SUPPLIES

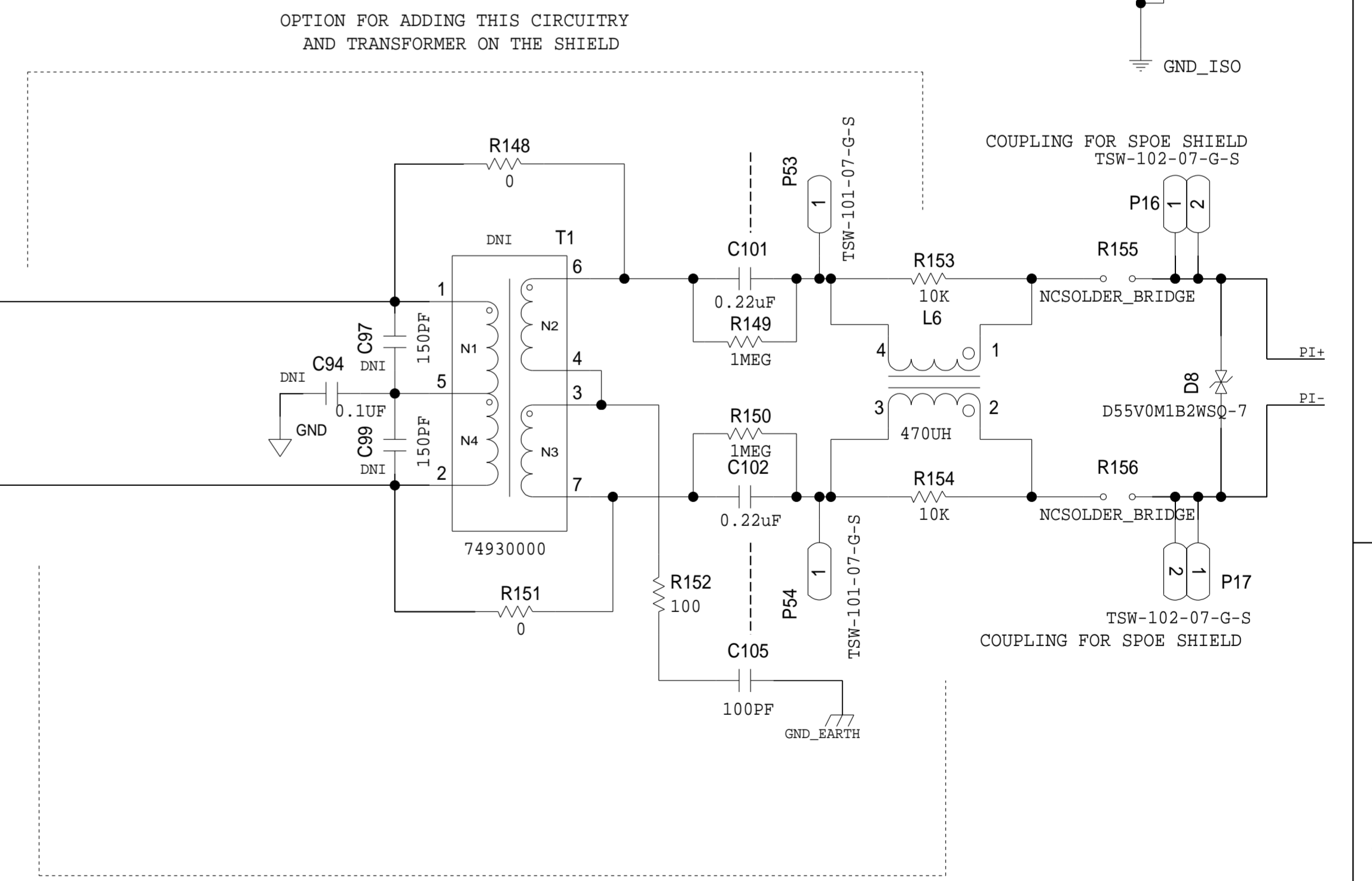
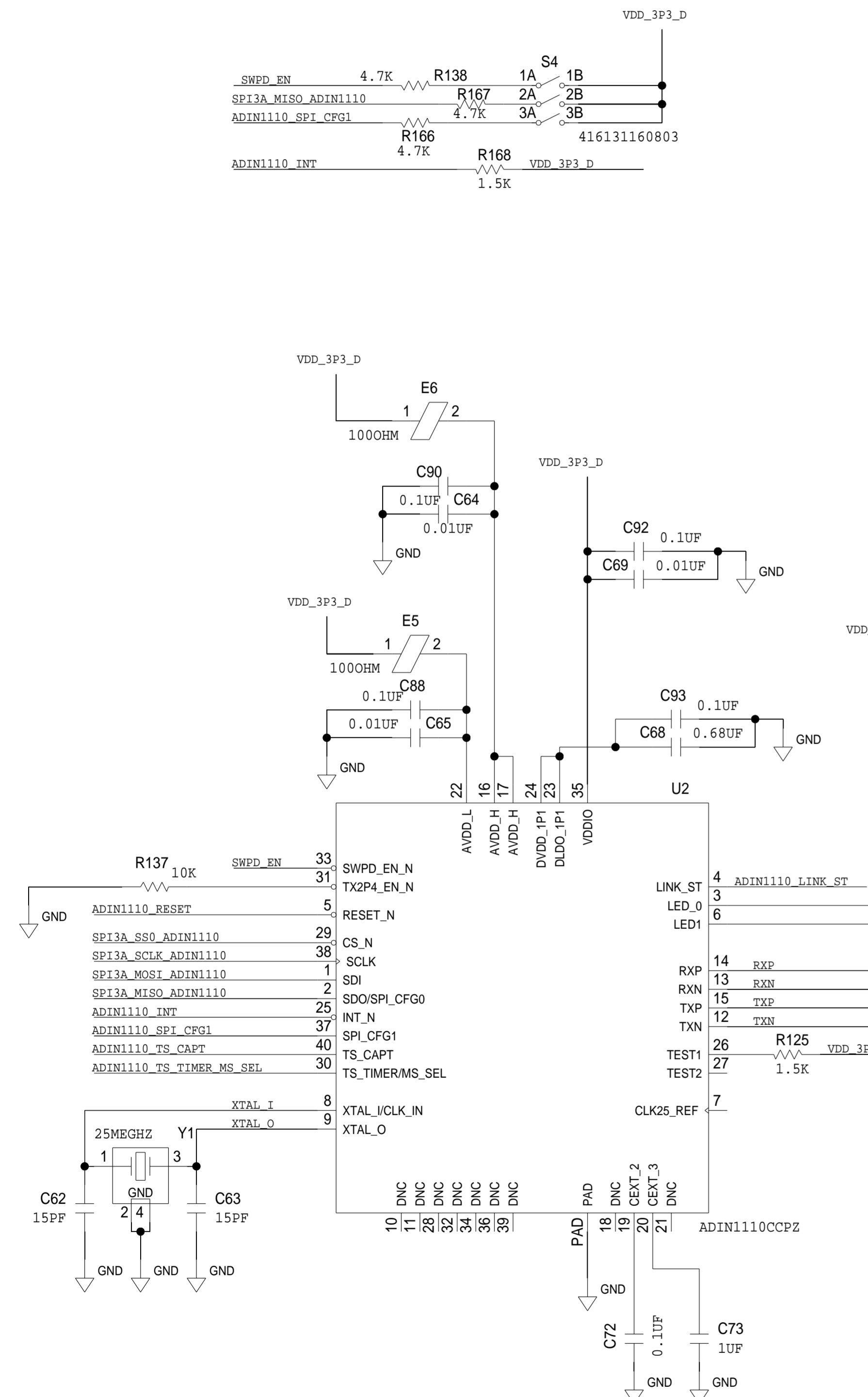
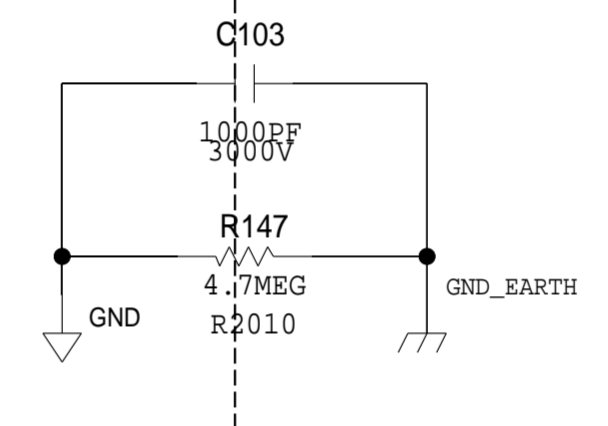
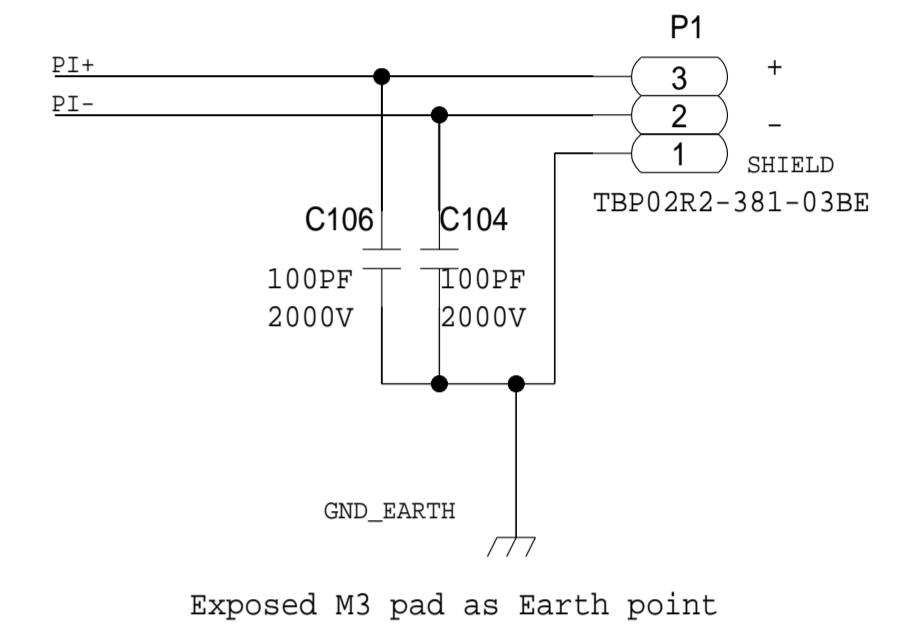
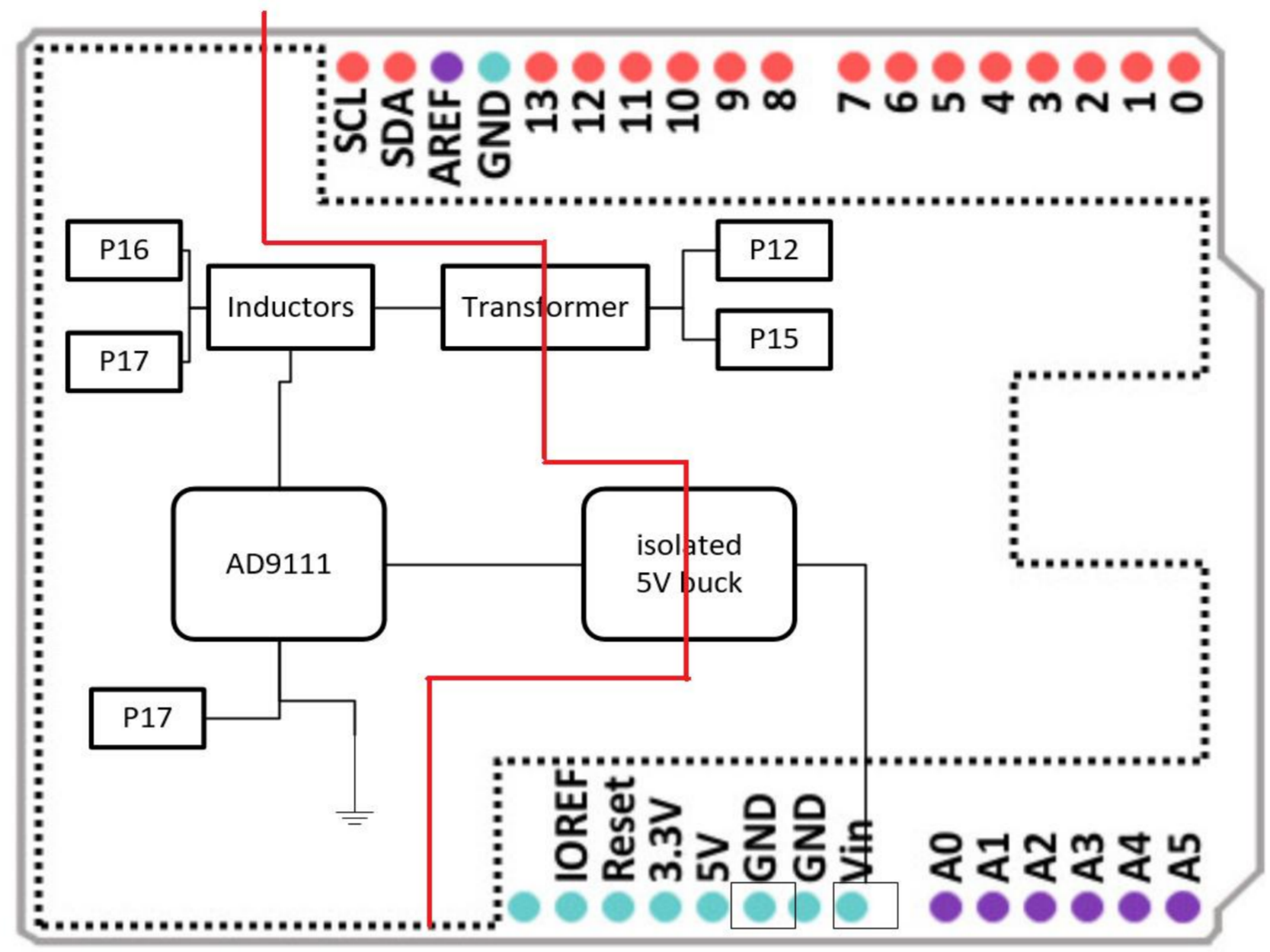


SYNC PIN:
 GROUND FOR BURST MODE
 TIE TO INTVCC FOR PCCM WITH SS MOD
 FLOAT FOR PCCM WITHOUT SS MOD
 APPLY CLOCK FOR SYNCHRONISED PCCM 1.6-2.5MHZ

ANALOG DEVICES		SCHEMATIC	
HW TYPE : AD-APARD32690-SL		Product(s) : MAX32690	
DESIGN VIEW : <DESIGN_VIEW>		DRAWING NO. : 02_073637	REV : C
PTD ENGINEER : M. BANCISOR		SIZE : D	SCALE : 1:1
		SHEET : 6	OF : 7

ADIN1110 10BASE-T1L MACPHY

REVISIONS			
REV	DESCRIPTION	DATE	APPROVED



	SCHEMATIC		
	HW TYPE : AD-APARD32690-SL Product (s) : MAX32690 : MAX32690		
DESIGN VIEW <DESIGN_VIEW>	DRAWING NO. 02_073637	REV C	
PTD ENGINEER M. BANCISOR	SIZE D	SCALE 1:1	SHEET 7 OF 7

THIS DRAWING IS THE PROPERTY OF ANALOG DEVICES INC. IT IS NOT TO BE REPRODUCED OR COPIED, IN WHOLE OR IN PART, OR USED IN ANY MANNER THAT MIGHT BE DETRIMENTAL TO THE INTERESTS OF ANALOG DEVICES. THE EQUIPMENT SHOWN HEREIN MAY BE PROTECTED BY PATENTS OWNED OR CONTROLLED BY ANALOG DEVICES.