

THIS DRAWING IS THE PROPERTY OF ANALOG DEVICES INC. IT IS NOT TO BE REPRODUCED OR COPIED, IN WHOLE OR IN PART, OR USED IN FURNISHING INFORMATION TO OTHERS, OR FOR ANY OTHER PURPOSE DETRIMENTAL TO THE INTERESTS OF ANALOG DEVICES. THE EQUIPMENT SHOWN HEREON MAY BE PROTECTED BY PATENTS OWNED OR CONTROLLED BY ANALOG DEVICES.

RELAY CONTROL CHART

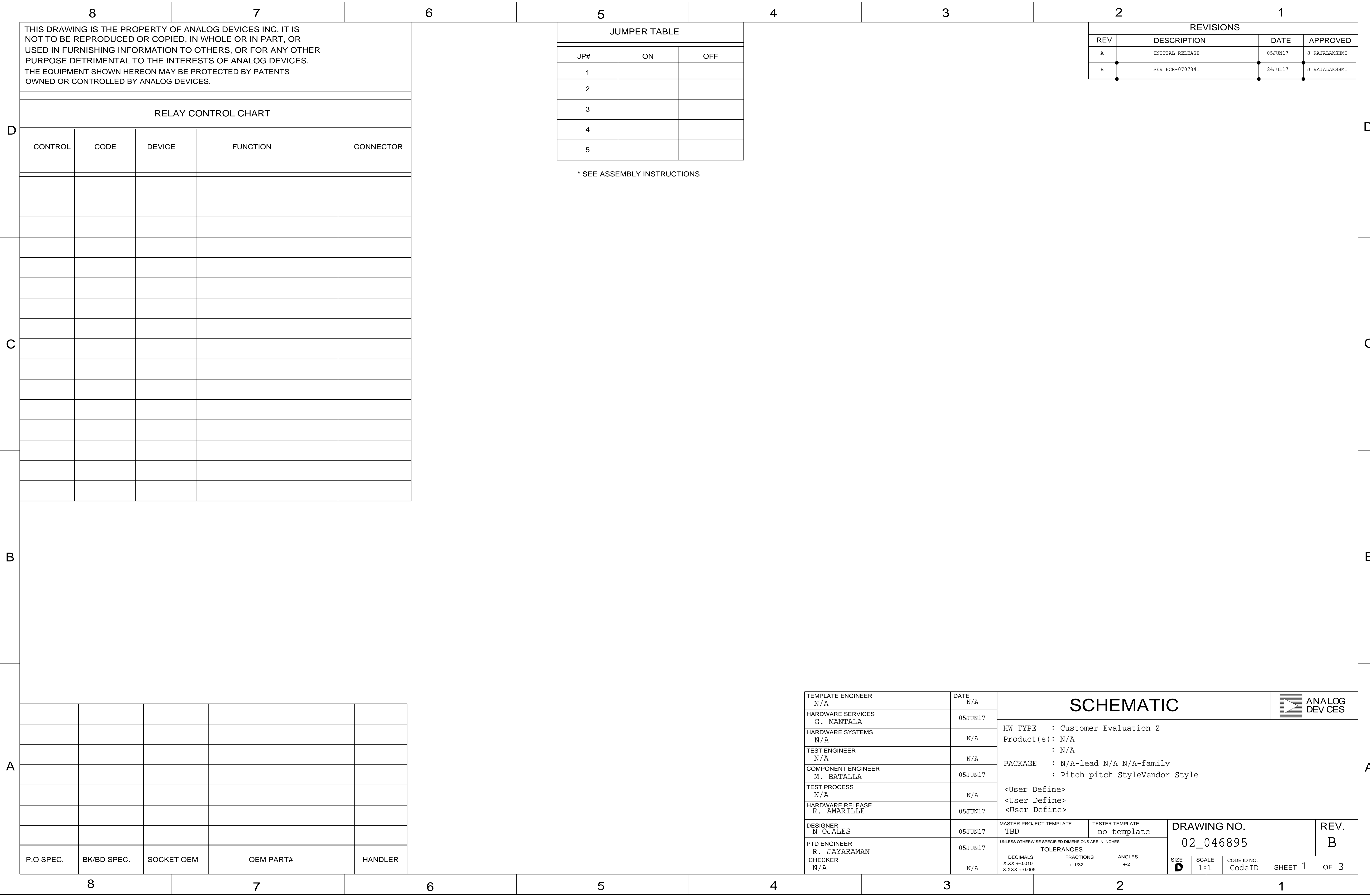
| CONTROL | CODE | DEVICE | FUNCTION | CONNECTOR |
|---------|------|--------|----------|-----------|
|         |      |        |          |           |
|         |      |        |          |           |
|         |      |        |          |           |
|         |      |        |          |           |
|         |      |        |          |           |
|         |      |        |          |           |
|         |      |        |          |           |
|         |      |        |          |           |
|         |      |        |          |           |
|         |      |        |          |           |
|         |      |        |          |           |
|         |      |        |          |           |
|         |      |        |          |           |
|         |      |        |          |           |
|         |      |        |          |           |
|         |      |        |          |           |
|         |      |        |          |           |
|         |      |        |          |           |
|         |      |        |          |           |
|         |      |        |          |           |
|         |      |        |          |           |
|         |      |        |          |           |
|         |      |        |          |           |

| JUMPER TABLE |    |     |
|--------------|----|-----|
| JP#          | ON | OFF |
| 1            |    |     |
| 2            |    |     |
| 3            |    |     |
| 4            |    |     |
| 5            |    |     |

\* SEE ASSEMBLY INSTRUCTIONS

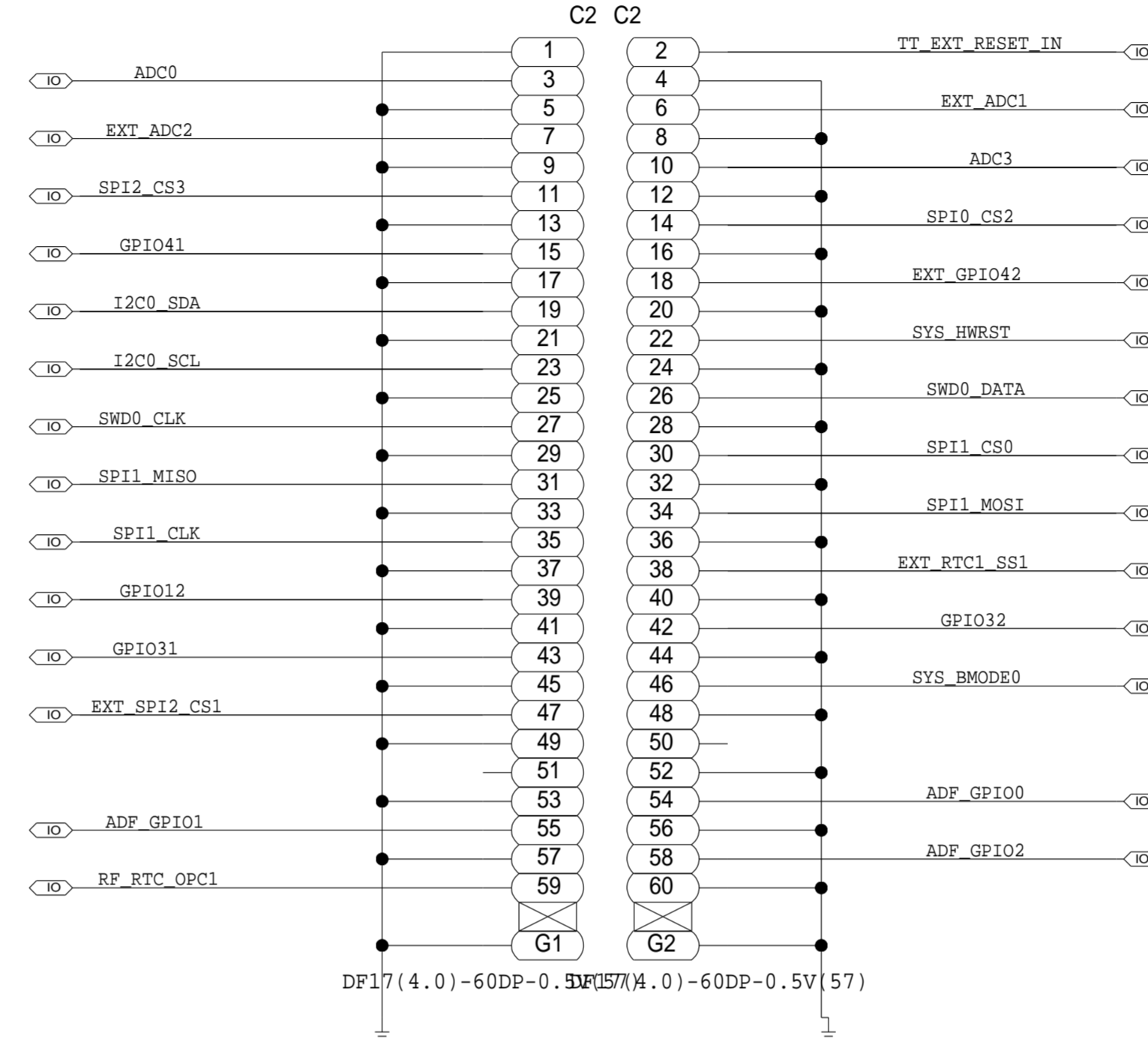
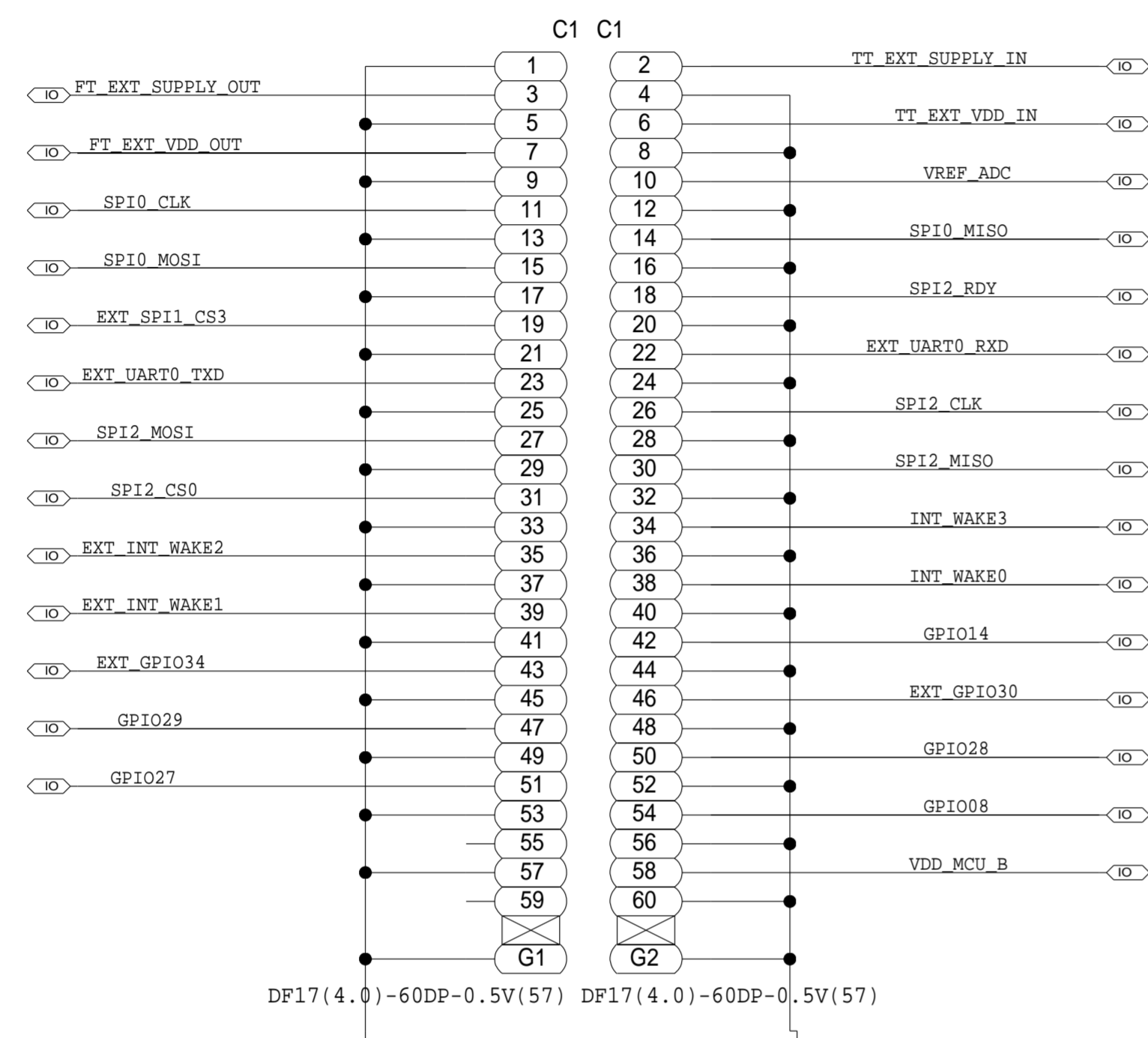
| REVISIONS |                 |         |               |
|-----------|-----------------|---------|---------------|
| REV       | DESCRIPTION     | DATE    | APPROVED      |
| A         | INITIAL RELEASE | 05JUN17 | J RAJALAKSHMI |
| B         | PER ECR-070734. | 24JUL17 | J RAJALAKSHMI |

|   |             |                                   |           |                                |                       |
|---|-------------|-----------------------------------|-----------|--------------------------------|-----------------------|
| TEMPLATE ENGINEER<br>N/A                            | DATE<br>N/A | <b>SCHEMATIC</b>                  |           |                                |                       |
| HARDWARE SERVICES<br>G. MANTALA                     | 05JUN17     |                                   |           |                                |                       |
| HARDWARE SYSTEMS<br>N/A                             | N/A         | HW TYPE : Customer Evaluation Z   |           |                                |                       |
| TEST ENGINEER<br>N/A                                | N/A         | Product(s): N/A                   |           |                                |                       |
| COMPONENT ENGINEER<br>M. BATALLA                    | 05JUN17     | PACKAGE : N/A-lead N/A N/A-family |           |                                |                       |
| TEST PROCESS<br>N/A                                 | N/A         | : Pitch-pitch StyleVendor Style   |           |                                |                       |
| HARDWARE RELEASE<br>R. AMARILLE                     | 05JUN17     | <User Define>                     |           |                                |                       |
| DESIGNER<br>N OJALES                                | 05JUN17     | <User Define>                     |           |                                |                       |
| PTD ENGINEER<br>R. JAYARAMAN                        | 05JUN17     | <User Define>                     |           |                                |                       |
| CHECKER<br>N/A                                      | N/A         | MASTER PROJECT TEMPLATE<br>TBD    |           | TESTER TEMPLATE<br>no_template |                       |
| P.O SPEC.   |             | BK/BD SPEC.                       |           | SOCKET OEM                     |                       |
| OEM PART#   |             | HANDLER                           |           | DRAWING NO.<br>02_046895       |                       |
| REV.<br>B   |             | SHEET 1                           |           | OF 3                           |                       |
| UNLESS OTHERWISE SPECIFIED DIMENSIONS ARE IN INCHES |             |                                   |           |                                |                       |
| TOLERANCES  |             | DECIMALS                          | FRACTIONS | ANGLES                         | SIZE                  |
| X.XX +0.010   |             | +1/32                             | +2        | D                              | 1:1                   |
| X.XXX +0.005  |             |                                   |           |                                | CODE ID NO.<br>CodeID |

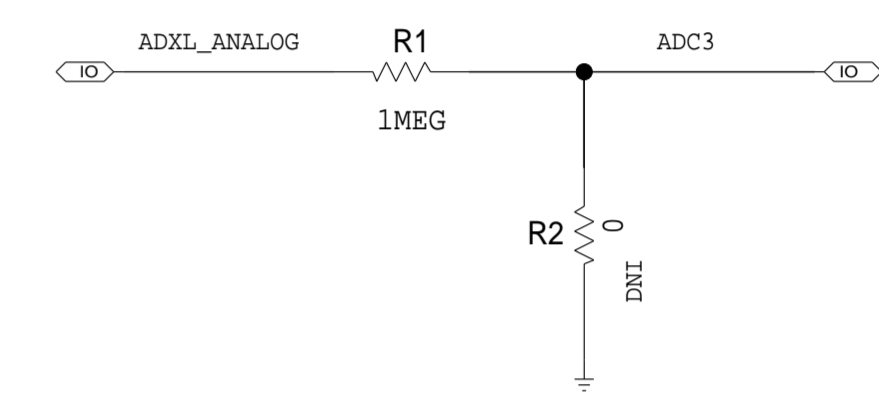
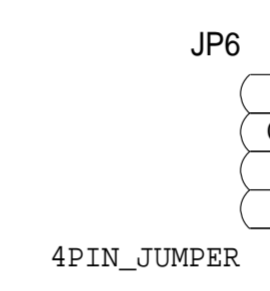
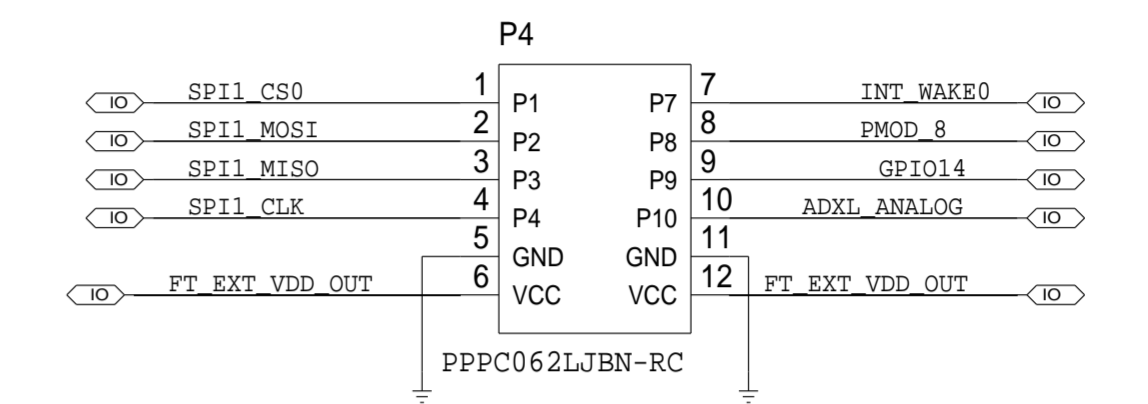


| REVISIONS |             |      |          |
|-----------|-------------|------|----------|
| REV       | DESCRIPTION | DATE | APPROVED |
|           |             |      |          |

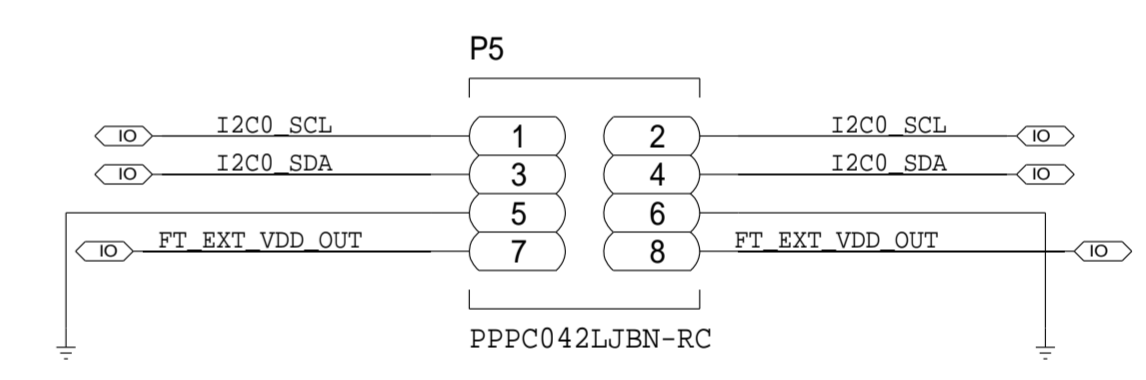
# COG CONNECTORS



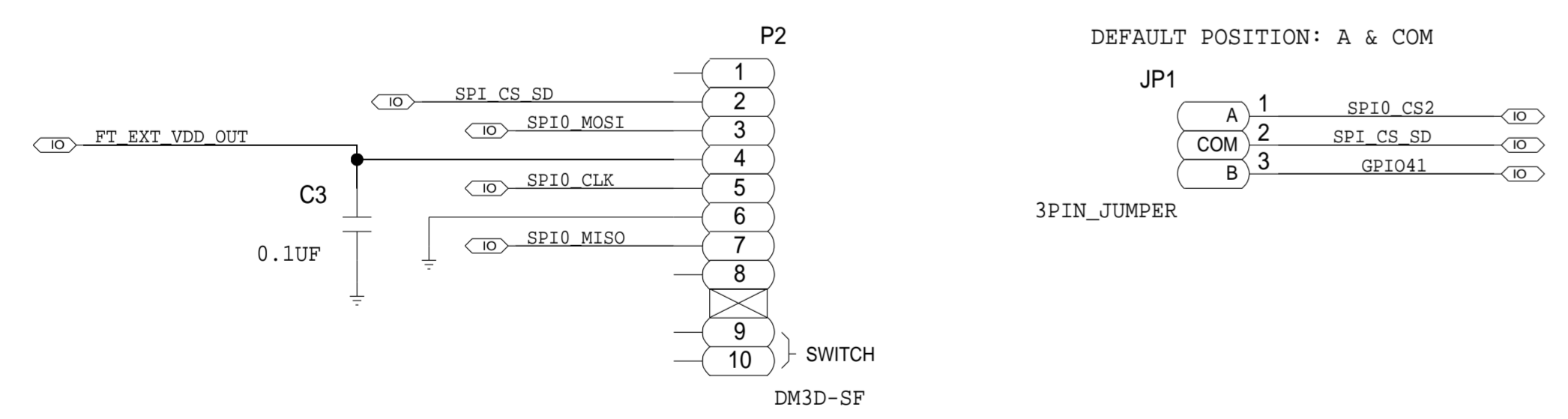
## PMOD SPI



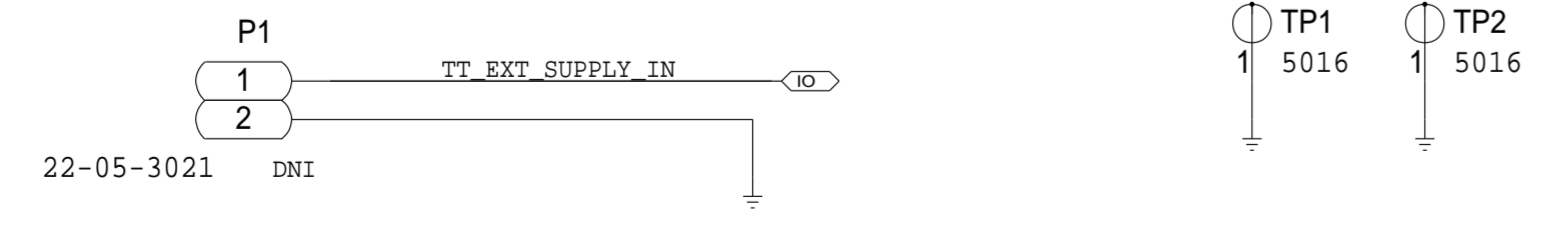
## PMOD I2C



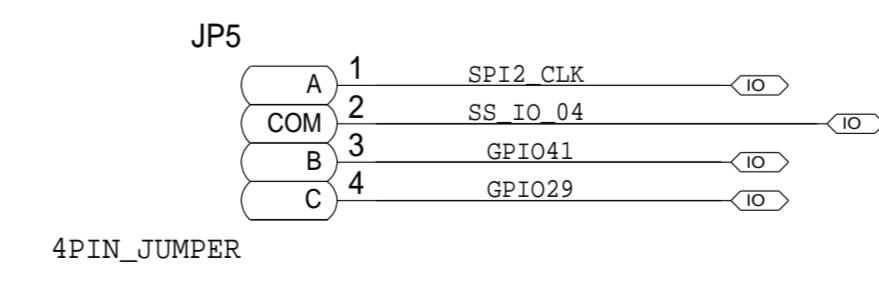
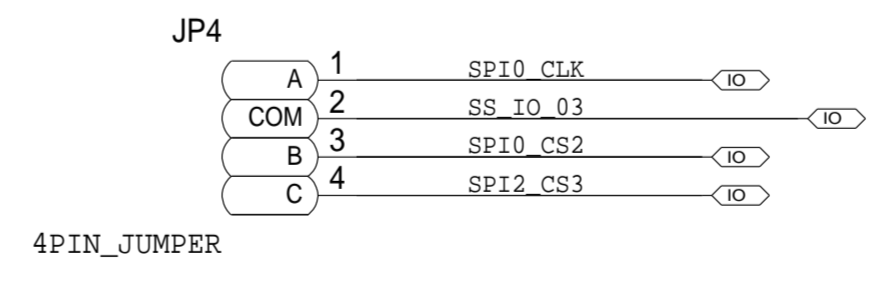
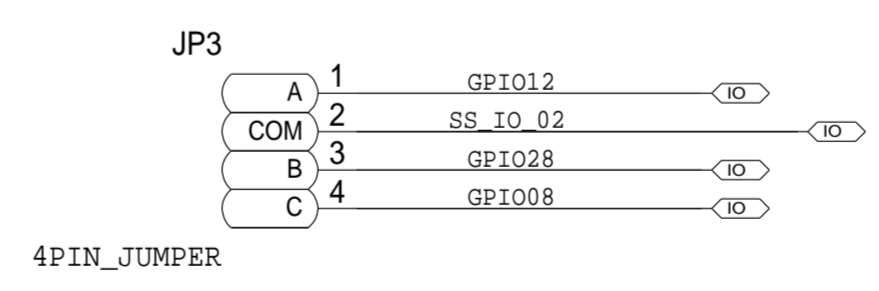
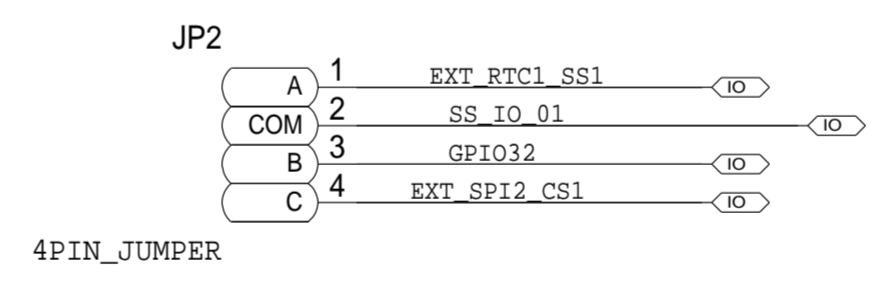
## MICRO SD READER



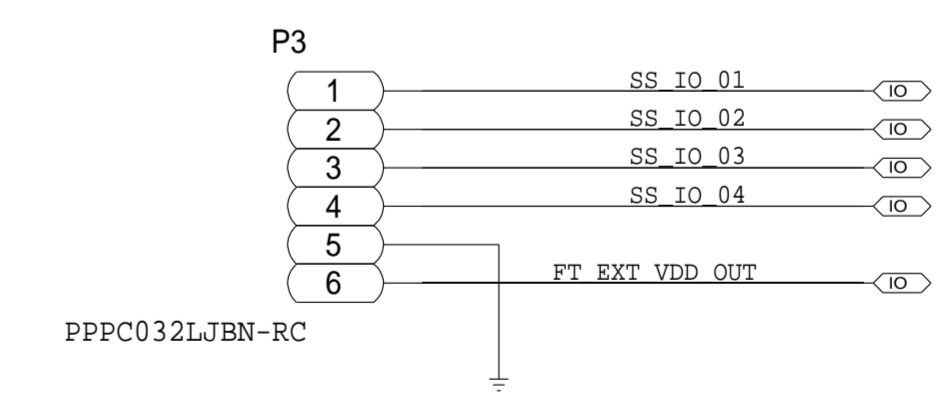
## EXT SUPPLY TO COG



DEFAULT POSITION: A & COM



## PMOD IO (SENSORSTROBE)

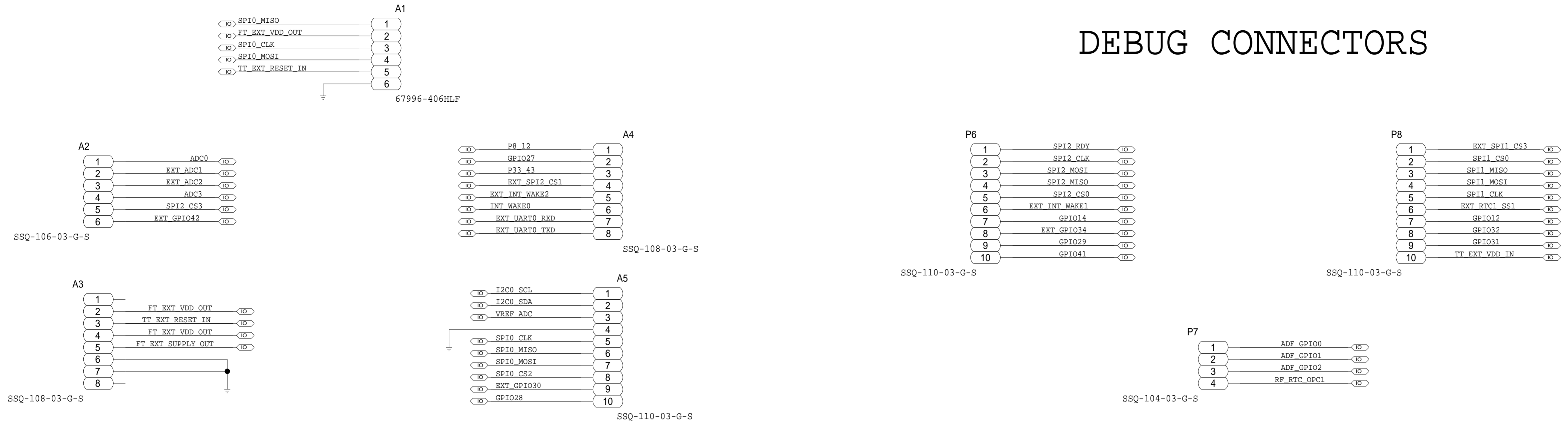


| ANALOG DEVICES  |  | SCHEMATIC                       |              |              |
|---|--|---------------------------------|--------------|--------------|
| <small>THIS DRAWING IS THE PROPERTY OF ANALOG DEVICES INC. IT IS NOT TO BE REPRODUCED OR COPIED, IN WHOLE OR IN PART, OR USED IN ANY MANNER THAT MAY BE DETRIMENTAL TO THE INTERESTS OF ANALOG DEVICES. THE EQUIPMENT SHOWN HEREON MAY BE PROTECTED BY PATENTS OWNED OR CONTROLLED BY ANALOG DEVICES.</small> |  | HW TYPE : Customer Evaluation Z |              | REV<br>B     |
|   |  | Product(s) : N/A                |              |              |
| DESIGN VIEW<br><DESIGN_VIEW>  |  | DRAWING NO.<br>02_046895        | SCALE<br>1:1 | SHEET 2 OF 3 |
| PTD ENGINEER<br>R. JAYARAMAN  |  | SIZE<br>D                       |              |              |

| REVISIONS |             |      |          |
|-----------|-------------|------|----------|
| REV       | DESCRIPTION | DATE | APPROVED |
|           |             |      |          |

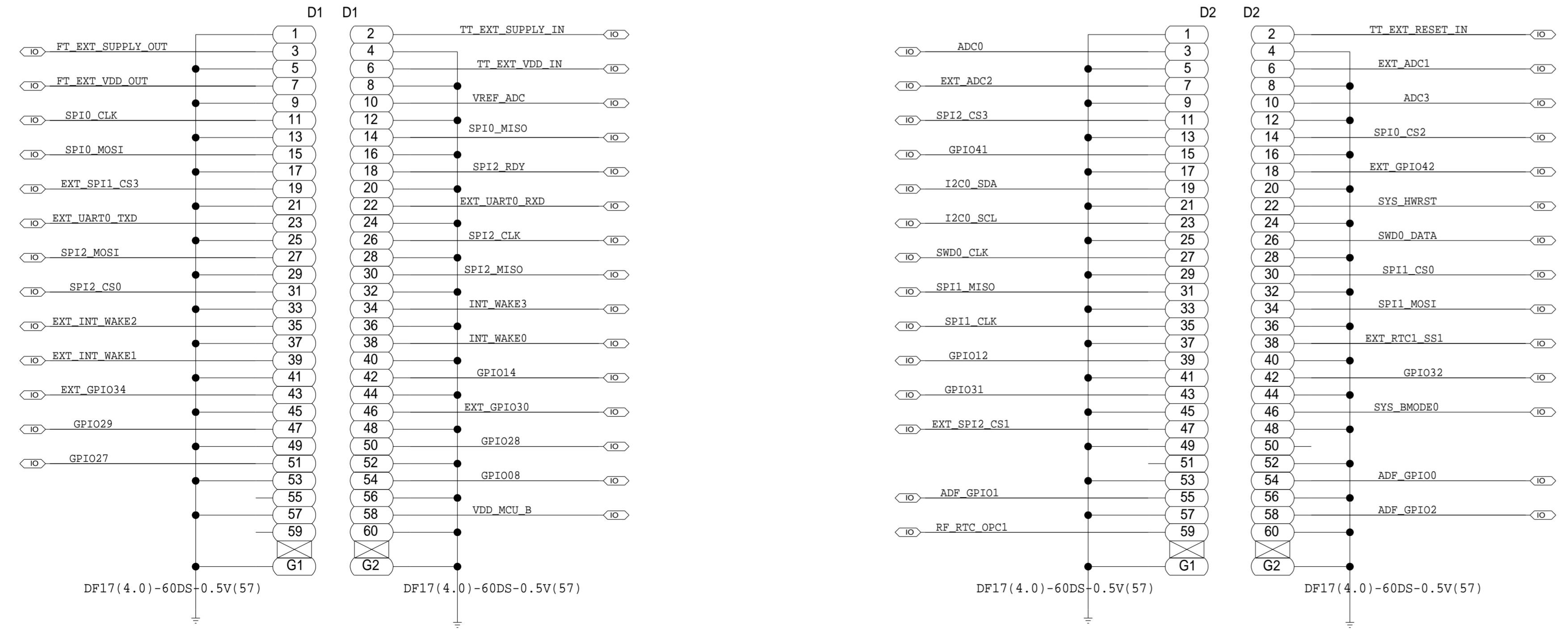
# ARDUINO CONNECTORS

# DEBUG CONNECTORS



DEFAULT POSITION: A & COM

# ADDON CONNECTORS



| SCHEMATIC  |                              |                          |              |
|--|------------------------------|--------------------------|--------------|
| HW TYPE : Customer Evaluation Z<br>Product(s) : N/A<br>: N/A |                              | DRAWING NO.<br>02_046895 | REV<br>B     |
| DESIGN VIEW<br><DESIGN_VIEW>                                 | PTD ENGINEER<br>R. JAYARAMAN | SIZE<br>D                | SCALE<br>1:1 |
| SHEET 3 OF 3   |                              |                          |              |