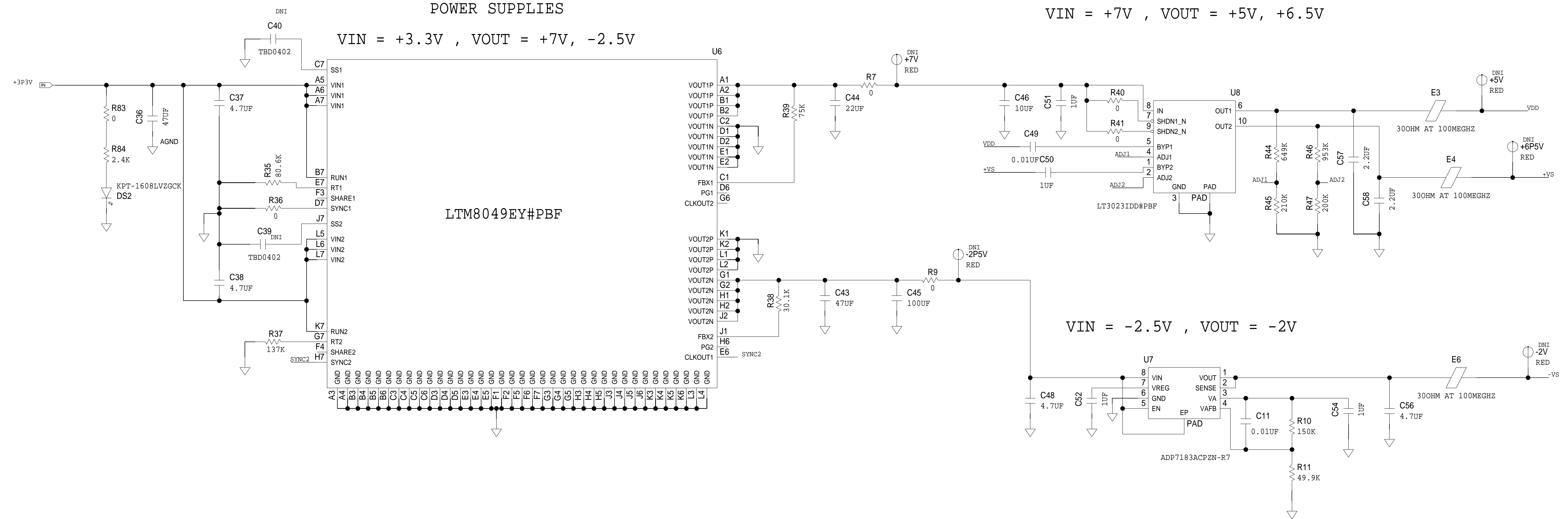




REVISIONS			
REV	DESCRIPTION	DATE	APPROVED

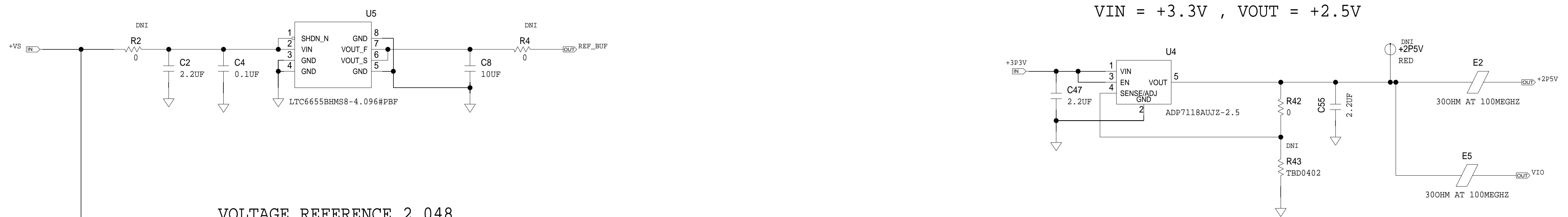
POWER SUPPLIES  
VIN = +3.3V , VOUT = +7V, -2.5V

VIN = +7V , VOUT = +5V, +6.5V

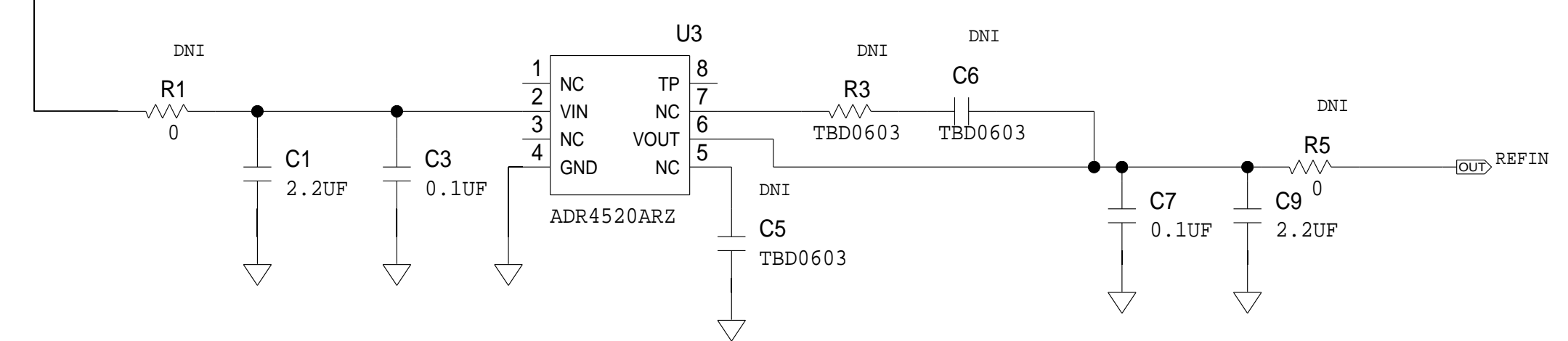


VOLTAGE REFERENCE 4.096

VIN = +3.3V , VOUT = +2.5V

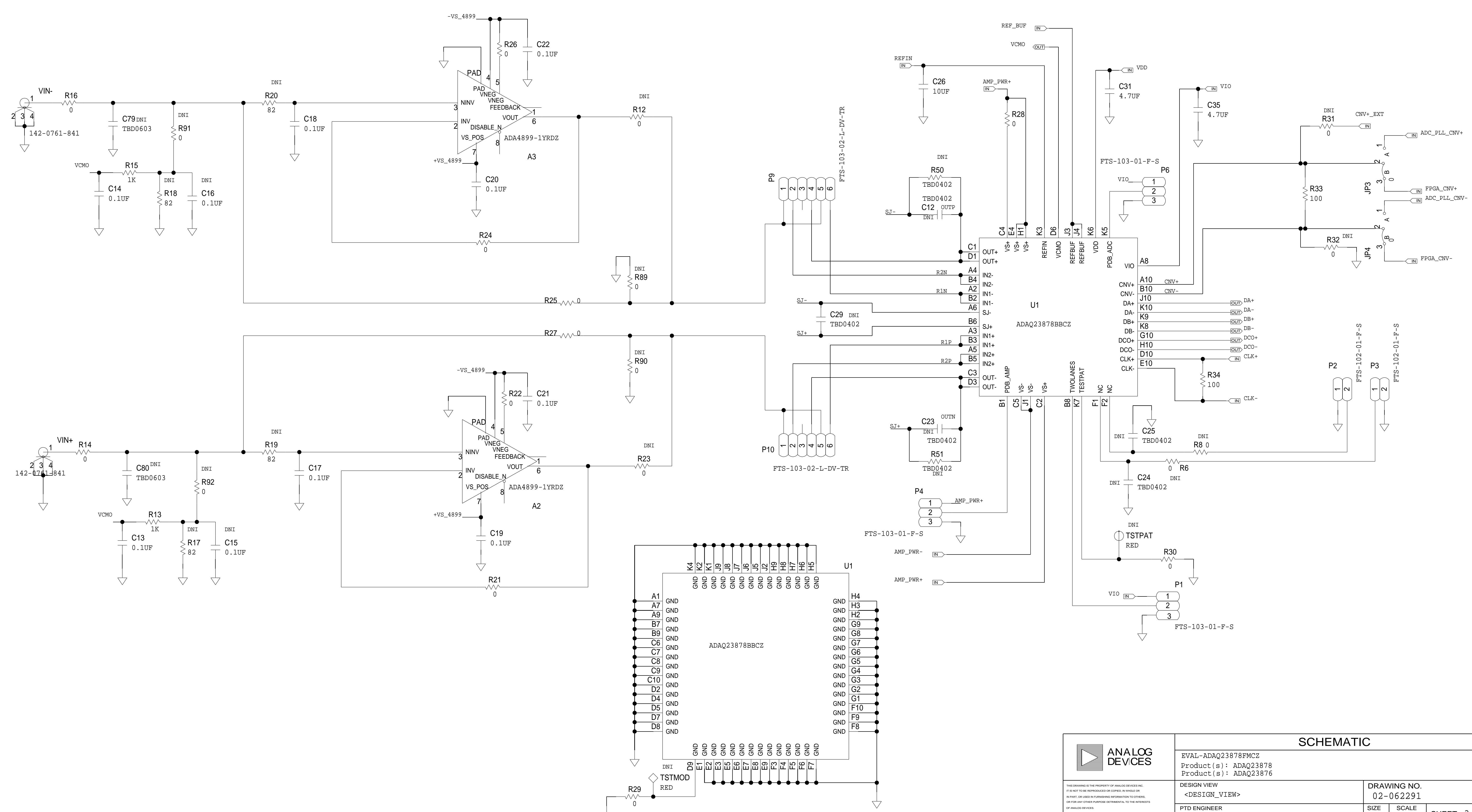


VOLTAGE REFERENCE 2.048



	<b>SCHEMATIC</b>		
	EVAL-ADAQ23878FMCZ Product (s): ADAQ23878 Product (s): ADAQ23876		
	DESIGN VIEW <DESIGN_VIEW>	DRAWING NO. 02-062291	REV B
	PTD ENGINEER Lloben Paculan	SIZE D	SCALE 1:1

REVISIONS			
REV	DESCRIPTION	DATE	APPROVED

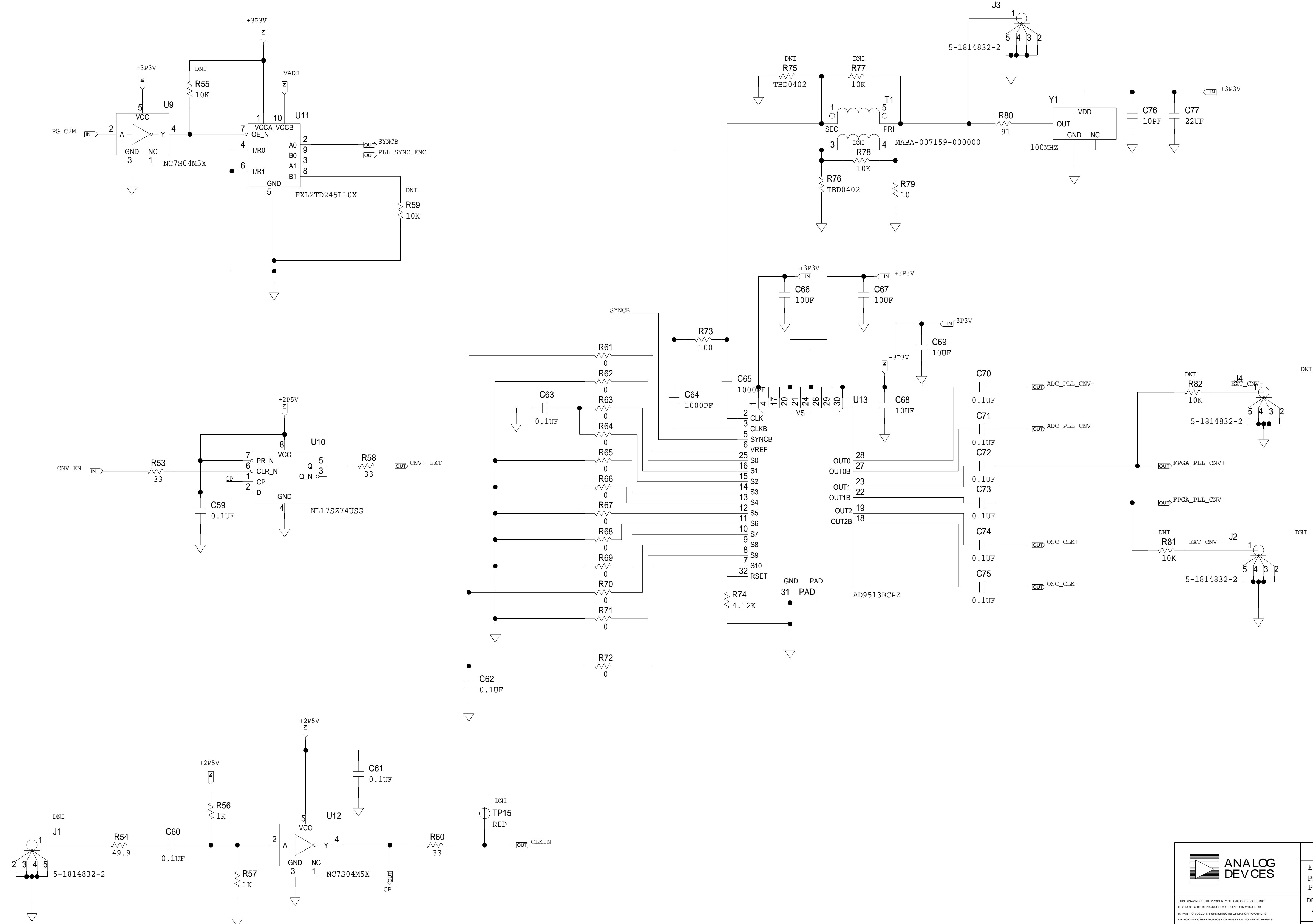


	<b>SCHEMATIC</b>		
	EVAL-ADAQ23878BMCZ Product (s): ADAQ23878 Product (s): ADAQ23876		
	DESIGN VIEW <DESIGN_VIEW>	DRAWING NO. 02-062291	REV B
PTD ENGINEER Lloben Paculan	SIZE D	SCALE 1:1	SHEET 3 OF 5

THIS DRAWING IS THE PROPERTY OF ANALOG DEVICES INC. IT IS NOT TO BE REPRODUCED OR COPIED, IN WHOLE OR IN PART, OR USED IN FURNISHING INFORMATION TO OTHERS, OR FOR ANY OTHER PURPOSE DETRIMENTAL TO THE INTERESTS OF ANALOG DEVICES. THE EQUIPMENT SHOWN HEREON MAY BE PROTECTED BY PATENTS OWNED OR CONTROLLED BY ANALOG DEVICES.

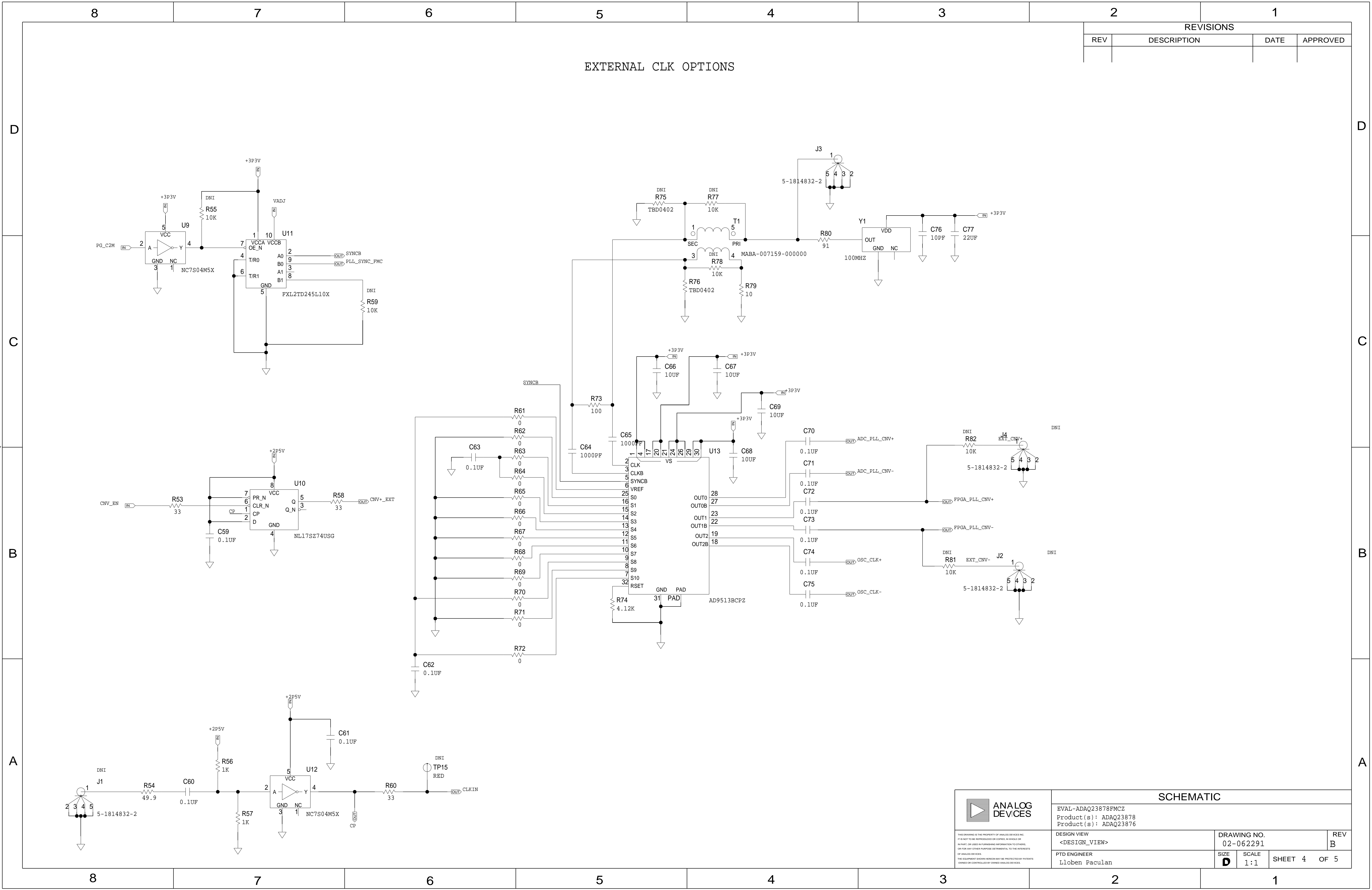
REVISIONS			
REV	DESCRIPTION	DATE	APPROVED

EXTERNAL CLK OPTIONS



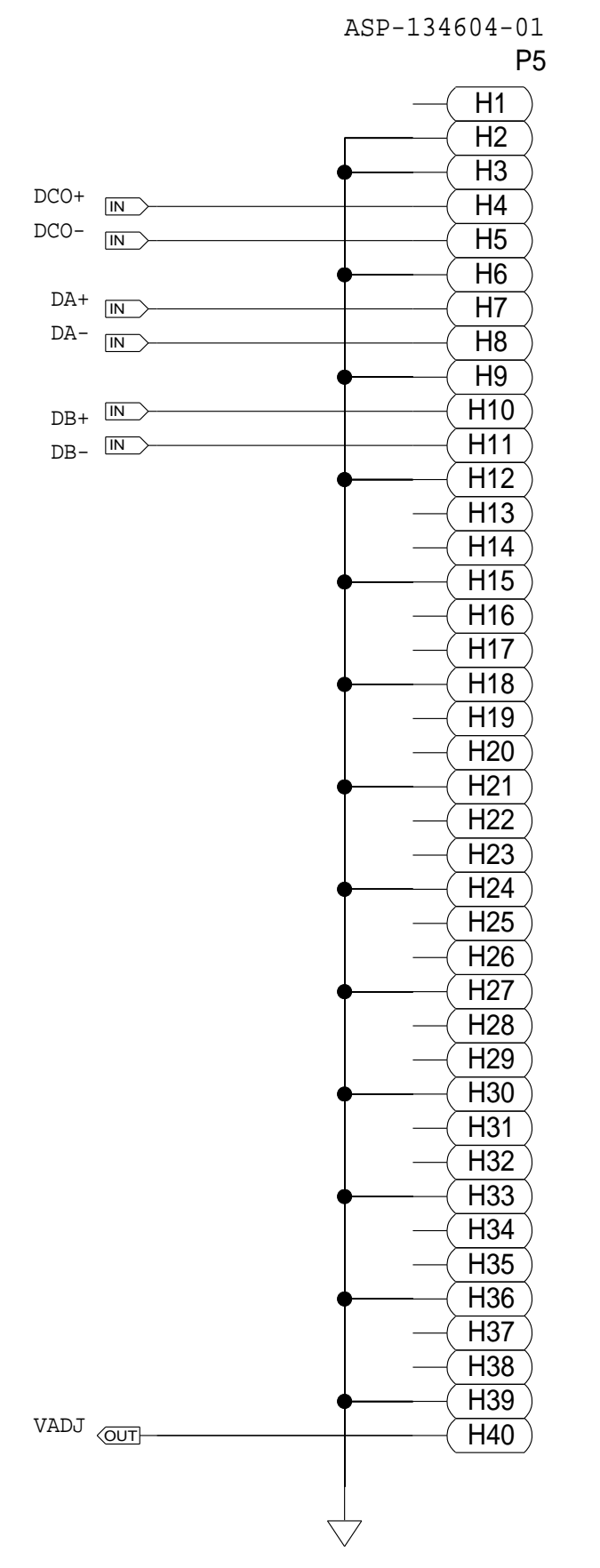
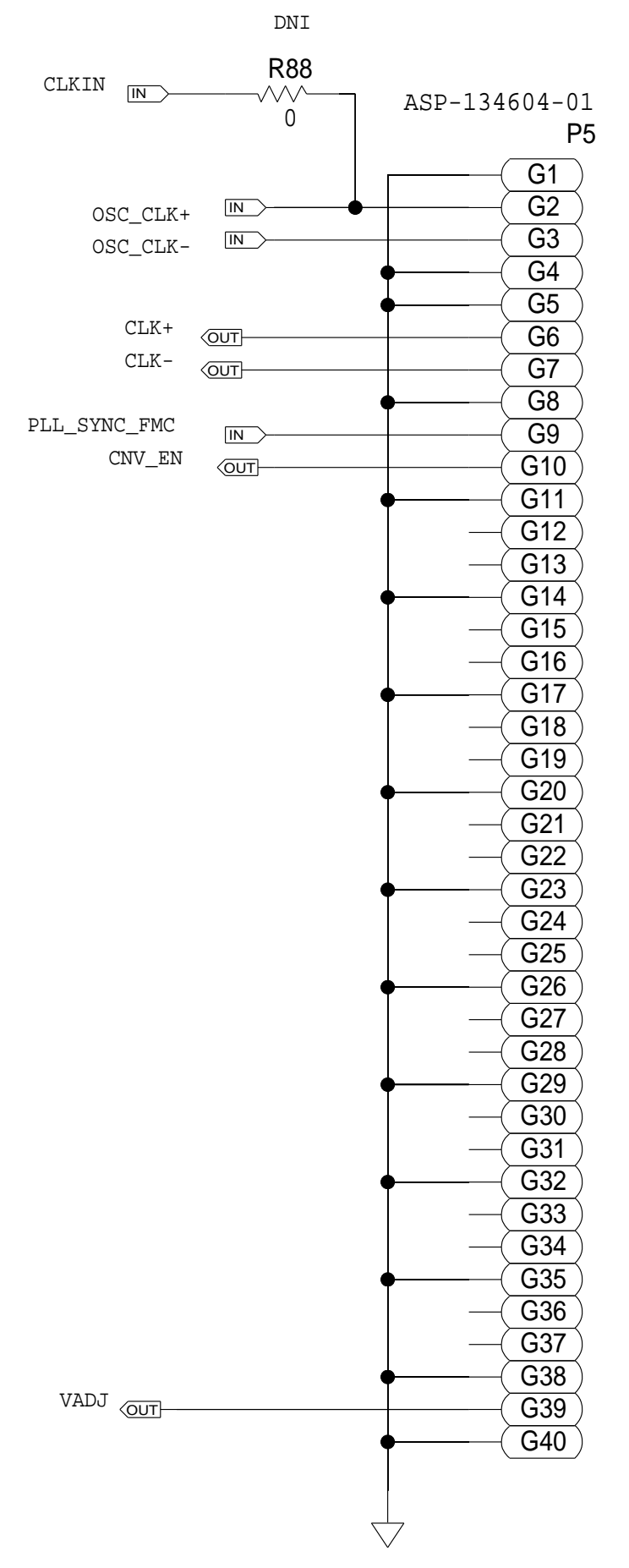
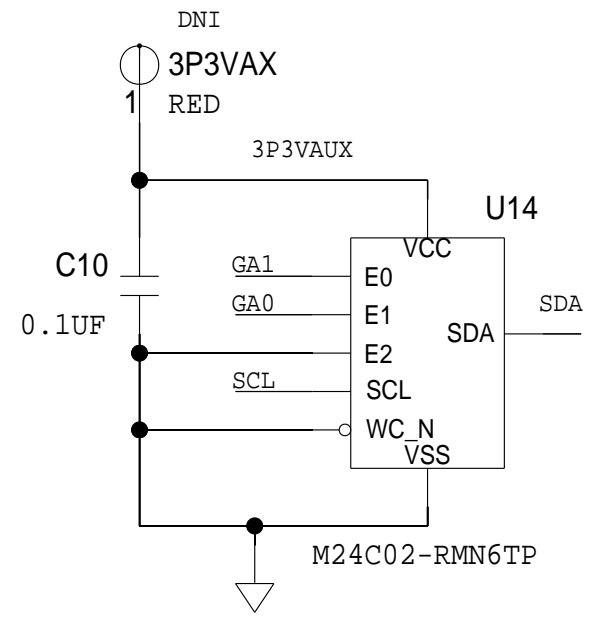
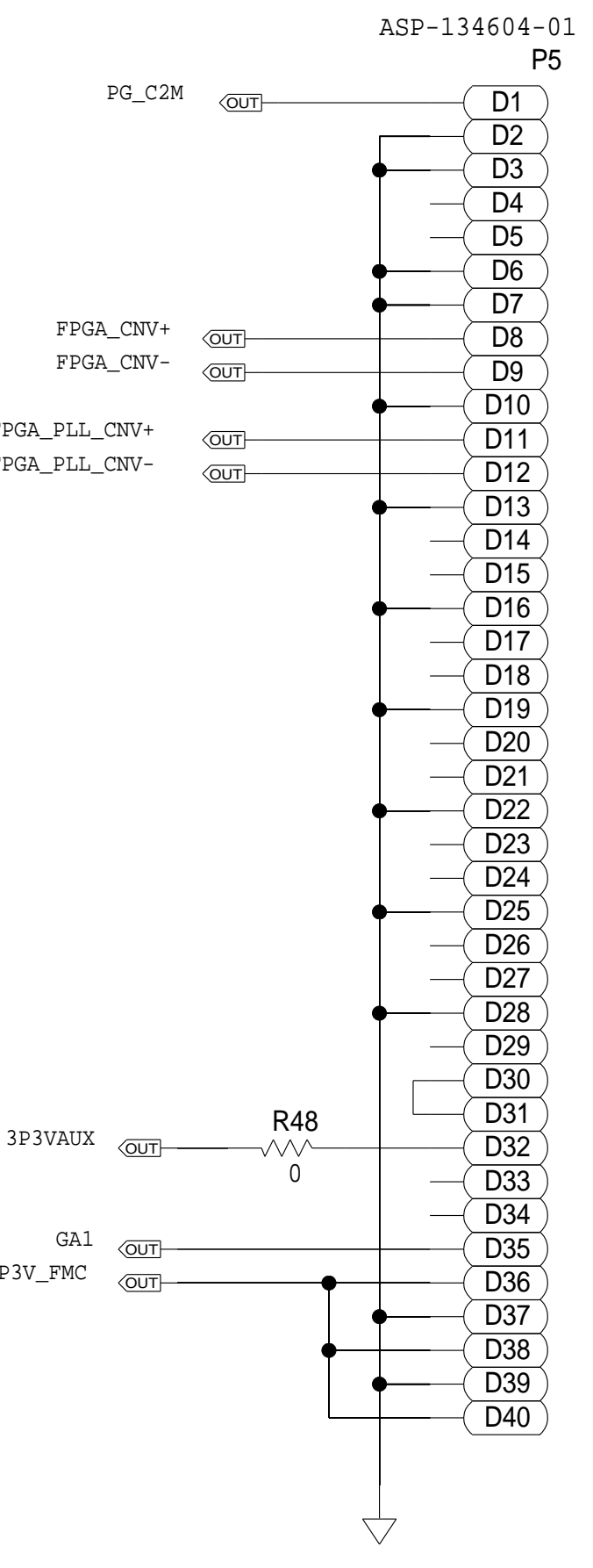
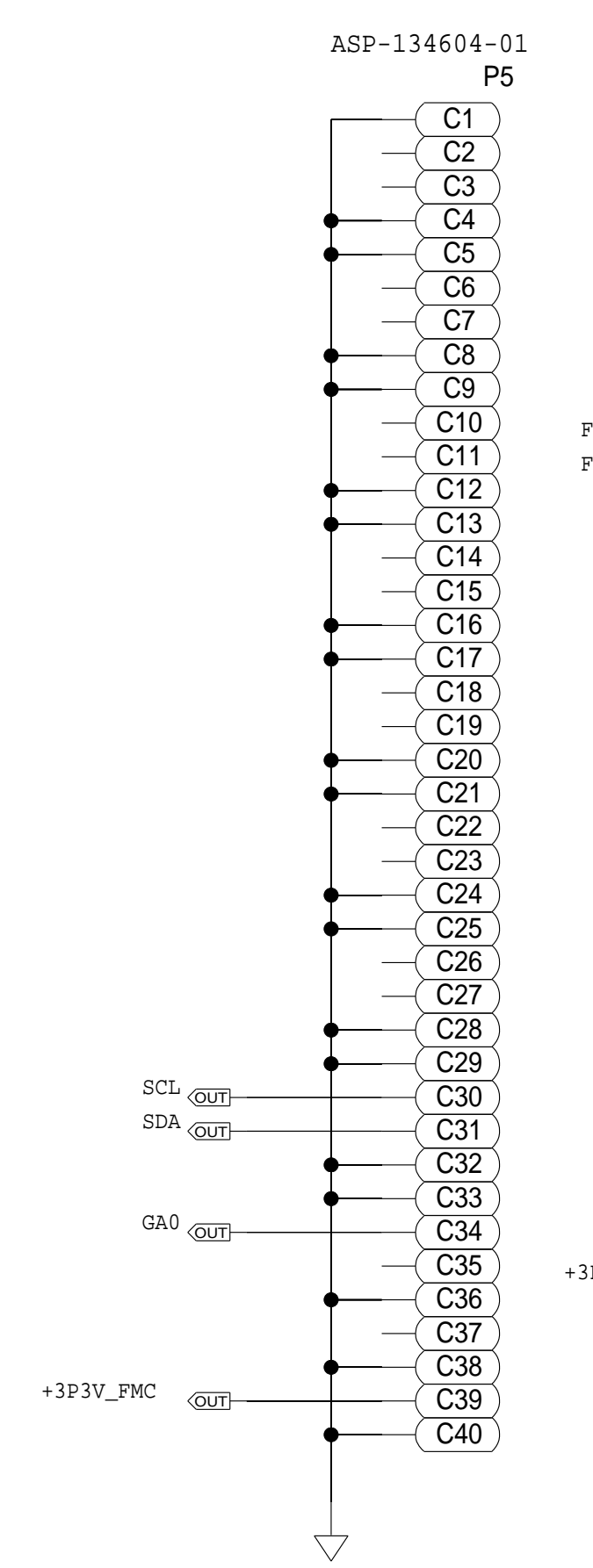
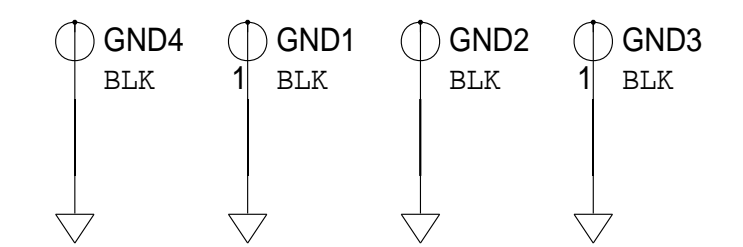
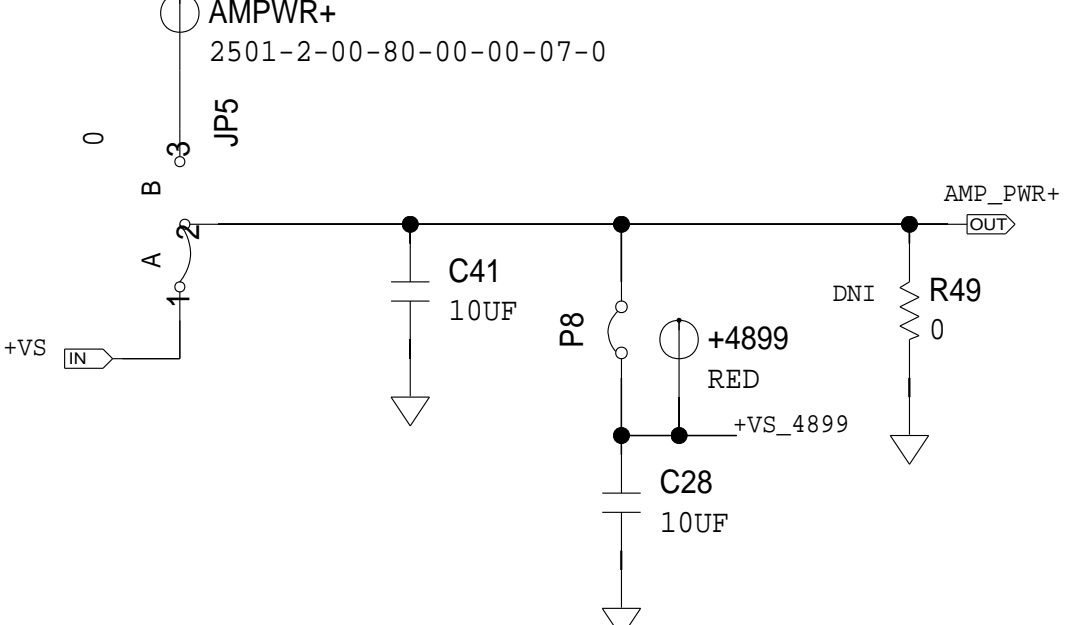
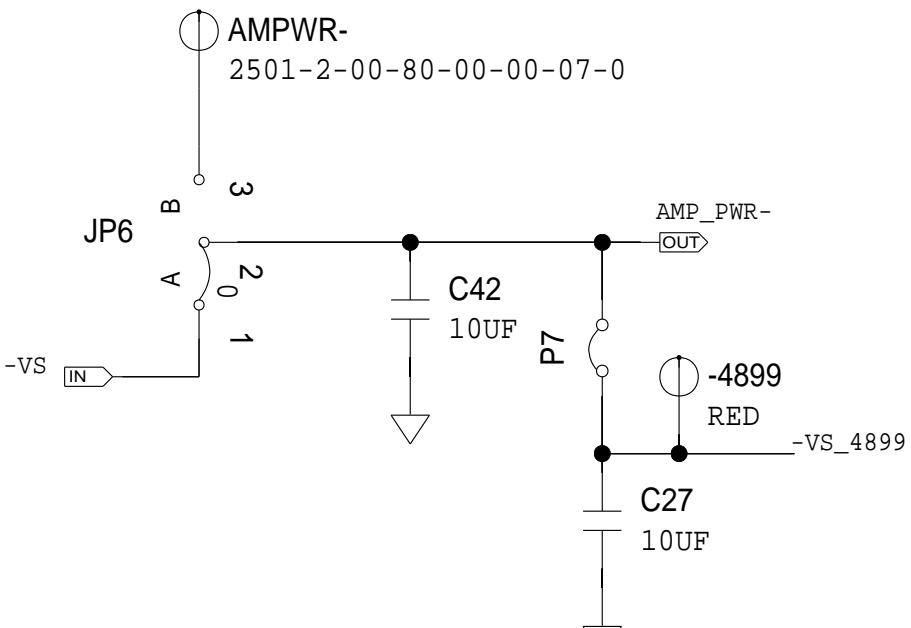
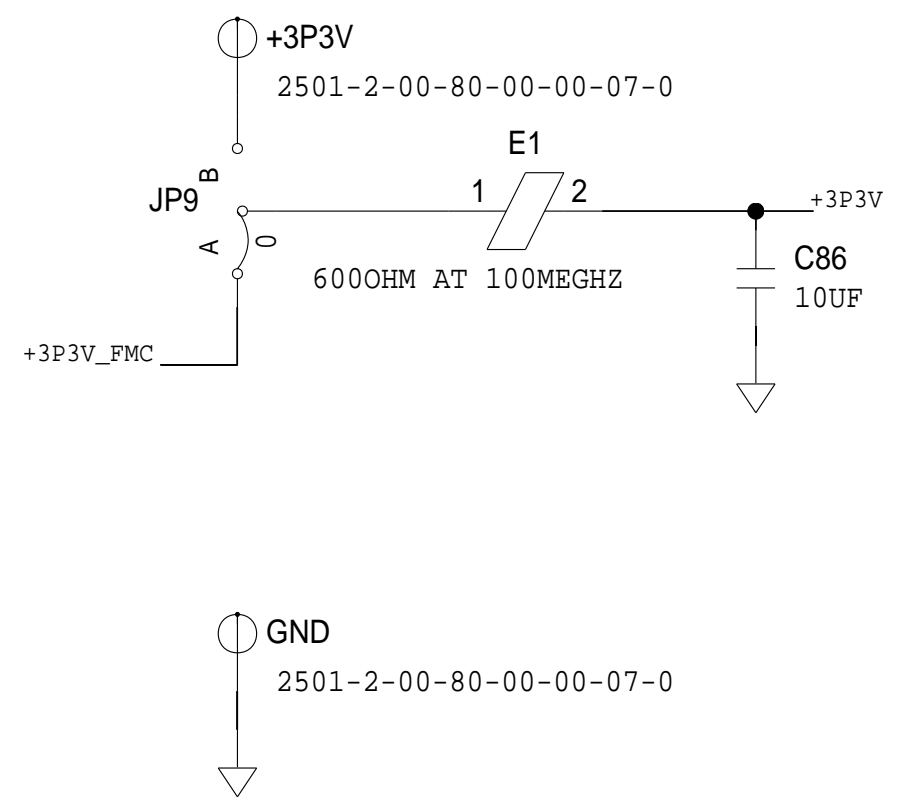
	<b>SCHEMATIC</b>		
	EVAL-ADAQ23878FMCZ Product (s): ADAQ23878 Product (s): ADAQ23876		
	DESIGN VIEW <DESIGN_VIEW>	DRAWING NO. 02-062291	REV B
	PTD ENGINEER Lloben Paclan	SIZE D	SCALE 1:1

THIS DRAWING IS THE PROPERTY OF ANALOG DEVICES INC. IT IS NOT TO BE REPRODUCED OR COPIED, IN WHOLE OR IN PART, OR USED IN ANY MANNER FOR THE PURPOSES OF REPRODUCING INFORMATION TO OTHERS, OR FOR ANY OTHER PURPOSE DETRIMENTAL TO THE INTERESTS OF ANALOG DEVICES. THE EQUIPMENT SHOWN HEREIN MAY BE PROTECTED BY PATENTS OWNED OR CONTROLLED BY ANALOG DEVICES.



REVISIONS			
REV	DESCRIPTION	DATE	APPROVED

EXTERNAL POWER SUPPLY OPTIONS



	<b>SCHEMATIC</b>		
	EVAL-ADAQ23878FMCZ Product (s): ADAQ23878 Product (s): ADAQ23876		
	DESIGN VIEW <DESIGN_VIEW>	DRAWING NO. 02-062291	REV B
PTD ENGINEER Lloben Paculan	SIZE D	SCALE 1:1	SHEET 5 OF 5