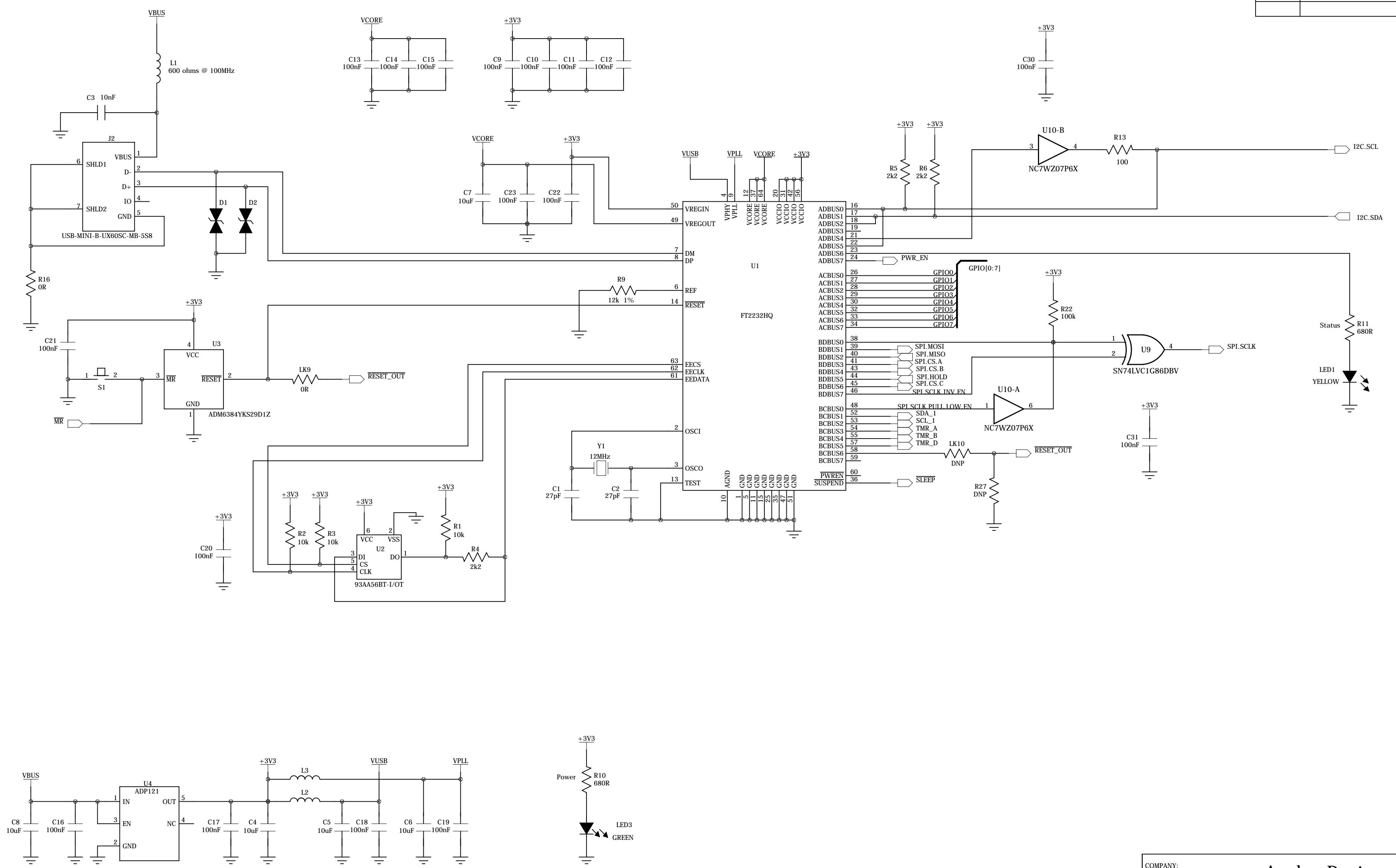


REVISION RECORD			
LTR	ECO NO:	APPROVED:	DATE:



COMPANY: Analog Devices			
TITLE: SERIAL CONTROL BOARD			
DRAWN: Eamonn Walsh	DATED: 16/02/11	CODE: <Code>	SIZE: A2
CHECKED: <Checked By>	DATED: <Checked Date>	DRAWING NO: SDP-S	REV: 1.0
QUALITY CONTROL: <QC By>	DATED: <QC Date>	SCALE: NTS	
RELEASED: <Released By>	DATED: <Release Date>	SHEET: 1 of 2	

6

5

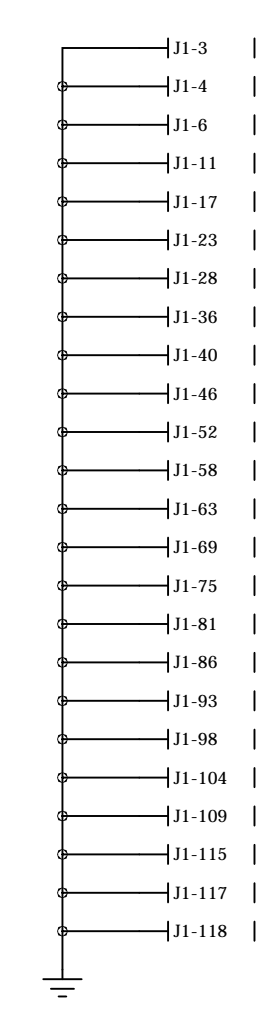
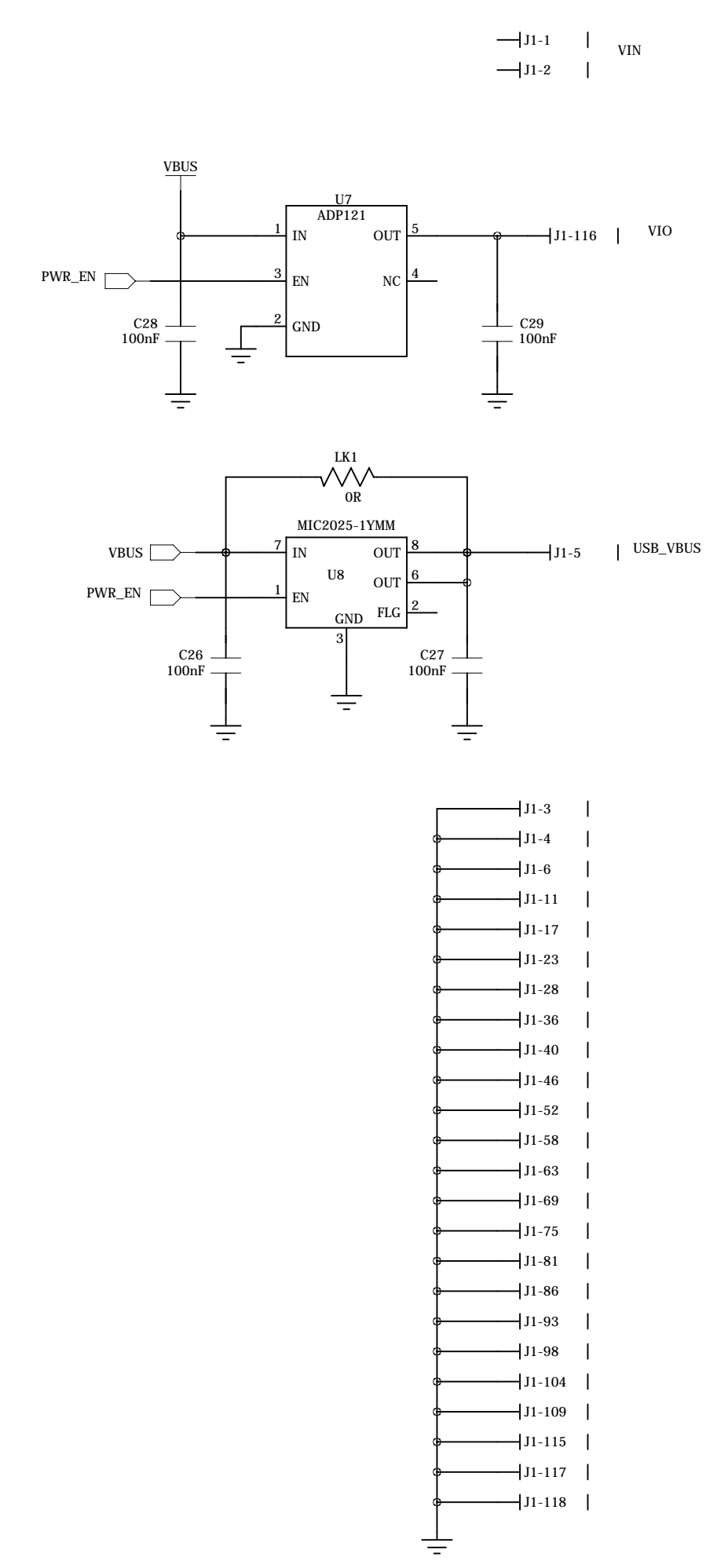
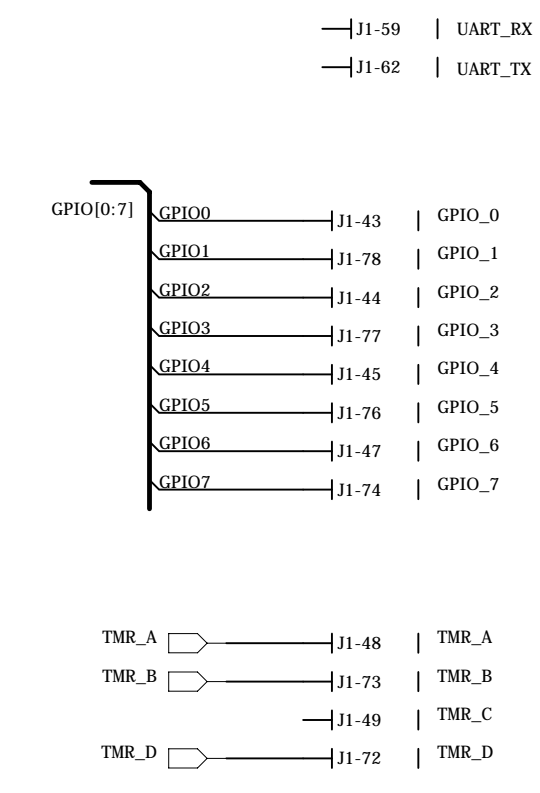
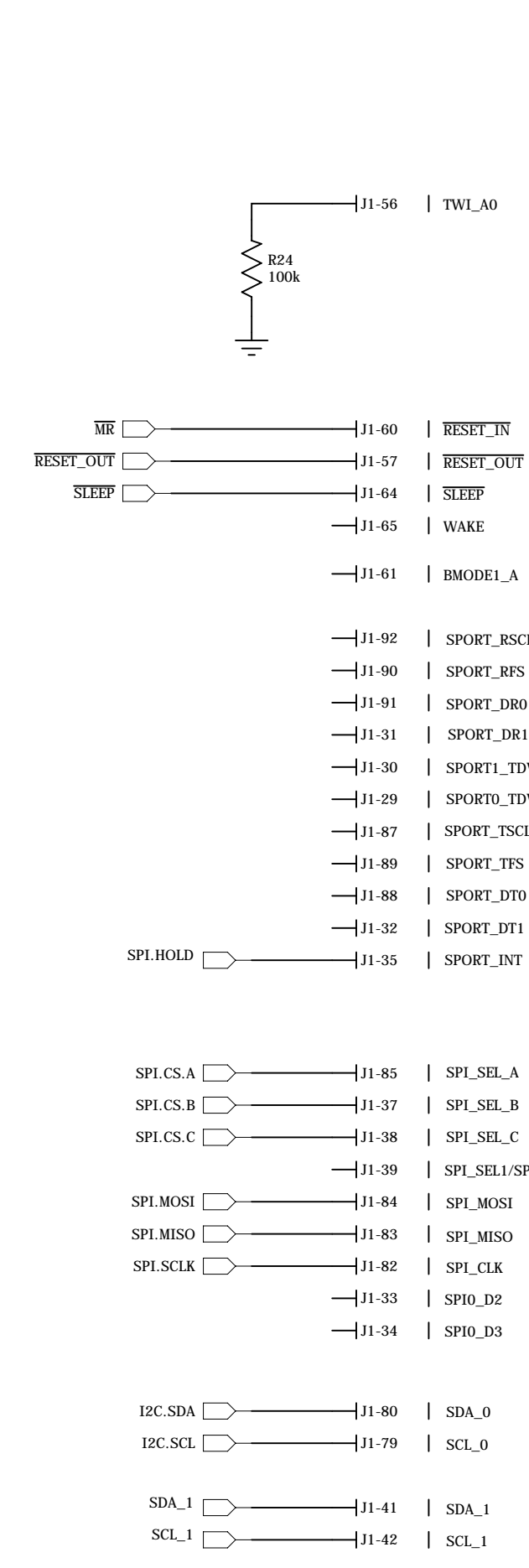
4

3

2

1

REVISION RECORD			
LTR	ECO NO:	APPROVED:	DATE:



COMPANY:				Analog Devices			
TITLE:				SERIAL CONTROL BOARD (CONNECTOR A)			
DRAWN:	Eamonn Walsh	DATED:	16/02/11	CODE:	SIZE:	DRAWING NO:	REV:
CHECKED:	<Checked By>	DATED:		A2	SDP-S	1.0	1.0
QUALITY CONTROL:		DATED:					
RELEASED:		DATED:		SCALE:		SHEET: 2 OF 2	