

6

5

4

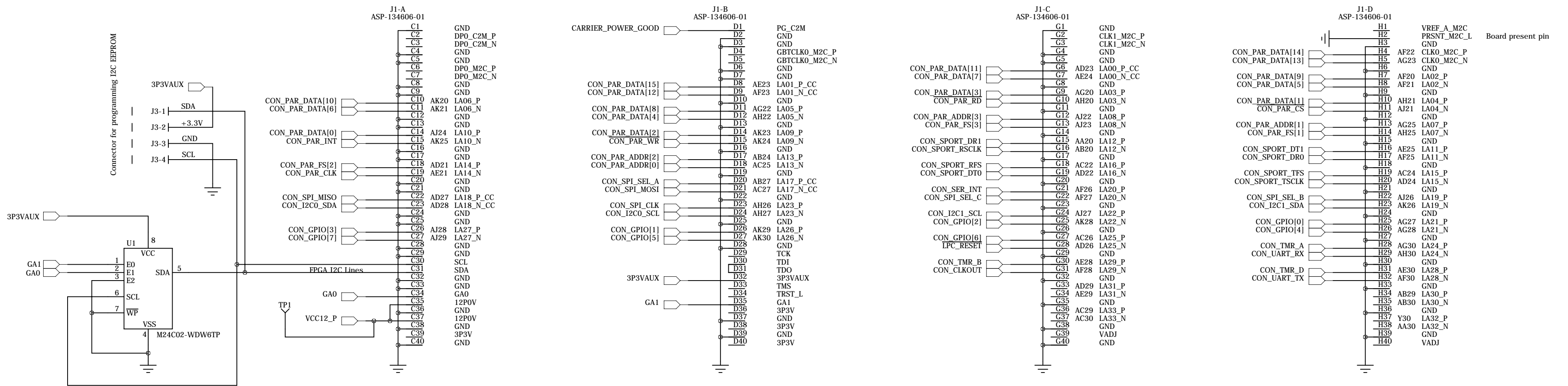
3

2

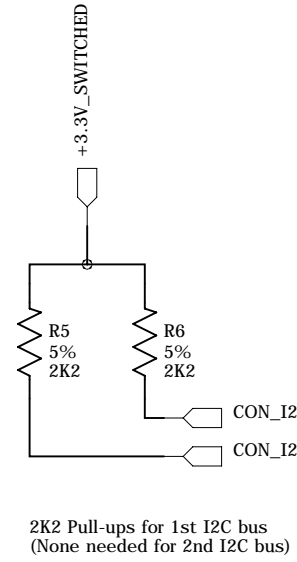
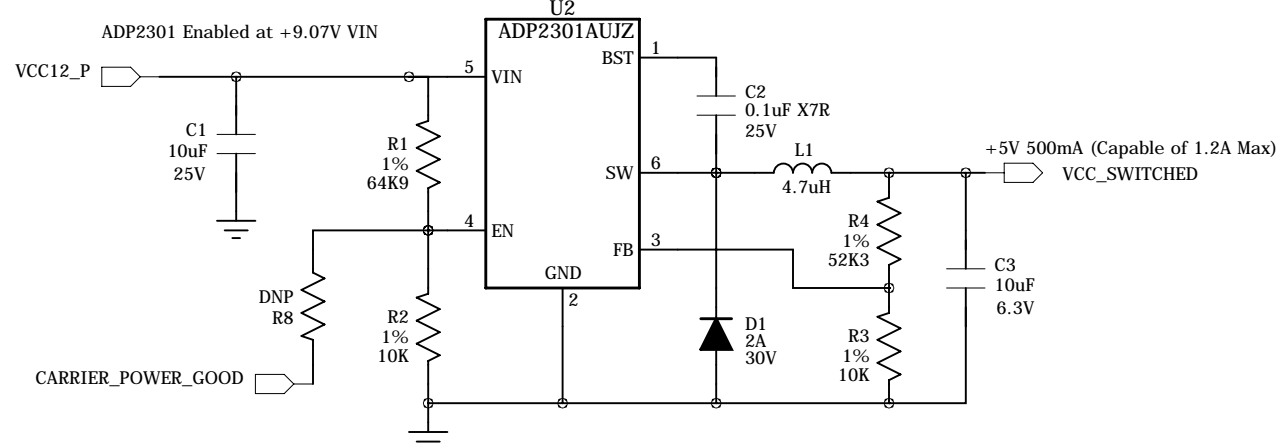
1

REVISION RECORD			
LTR	ECO NO:	APPROVED:	DATE:

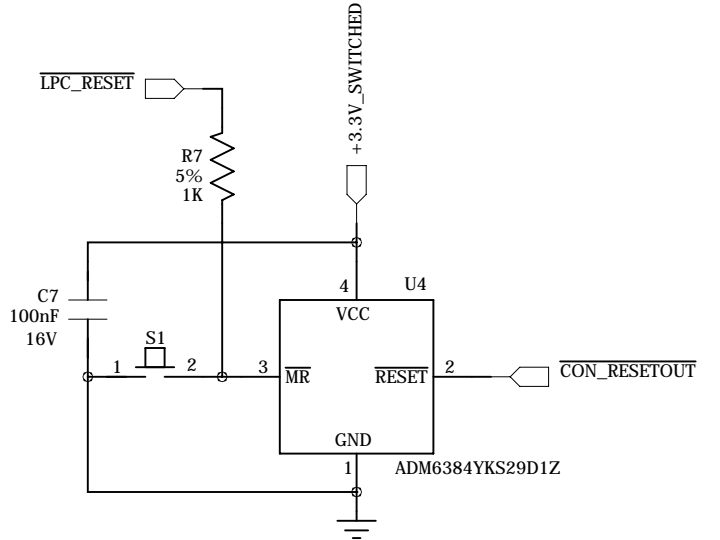
# FMC-LPC Connector



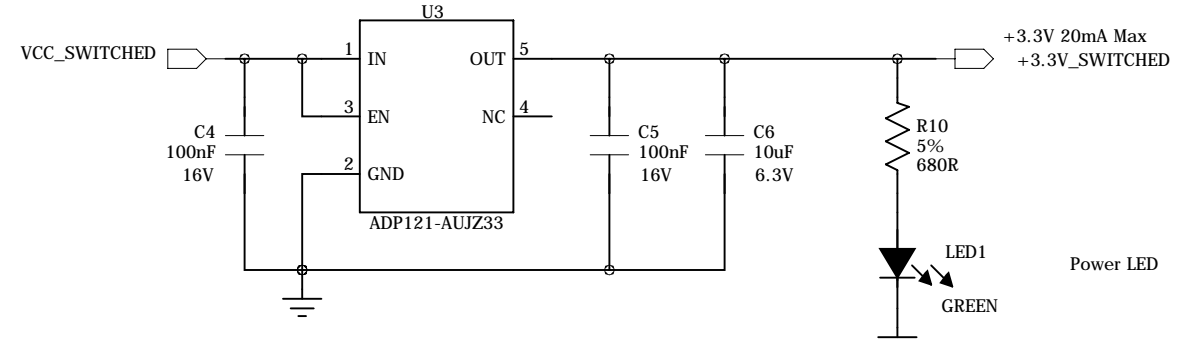
EEPROM required in VITA standard I2C line pull-up resistors on FPGA board



2K2 Pull-ups for 1st I2C bus (None needed for 2nd I2C bus)



Power-on reset and reset by FPGA of SDP daughter board



Power LED

COMPANY: ANALOG DEVICES			
TITLE: SDP-FMC INTERPOSER BOARD			
DRAWN:	DATED: 07/Feb/'12	CODE:	SIZE: C
CHECKED:	DATED: <Checked Date>	DRAWING NO:	REV: 1
QUALITY CONTROL: <QC By>	DATED: <QC Date>	SDP-I-FMC	
RELEASED: <Released By>	DATED: <Release Date>	SCALE: <Scale>	SHEET: 1 of 2

6

5

4

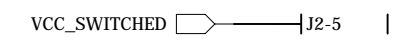
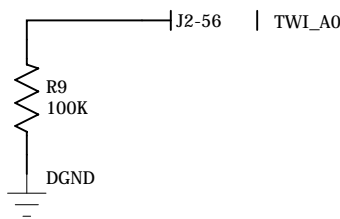
3

2

1

REVISION RECORD			
LTR	ECO NO:	APPROVED:	DATE:

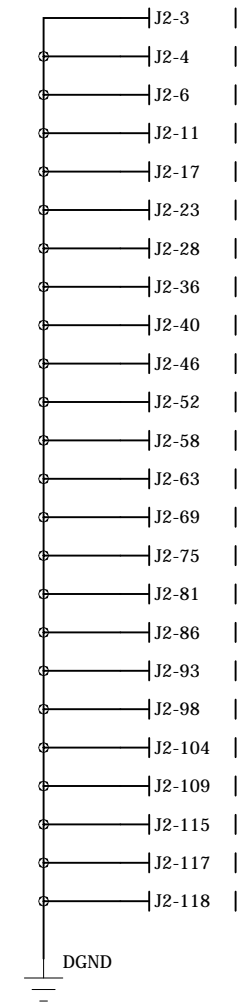
# SDP Connector



- CON\_RESETOUT | J2-57 | RESET\_OUT
- CON\_SPORT\_RSCLK | J2-92 | SPORT\_RSCLK
- CON\_SPORT\_RFS | J2-90 | SPORT\_RFS
- CON\_SPORT\_DR0 | J2-91 | SPORT1\_D0
- CON\_SPORT\_DR1 | J2-31 | SPORT1\_D1
- CON\_SPORT\_TSCLK | J2-87 | SPORT\_TSCLK
- CON\_SPORT\_TFS | J2-89 | SPORT\_TFS
- CON\_SPORT\_DT0 | J2-88 | SPORT\_DT0
- CON\_SPORT\_DT1 | J2-32 | SPORT\_DT1
- CON\_SER\_INT | J2-35 | SERIAL\_INT
- CON\_SPL\_SEL\_A | J2-85 | SPL\_SEL\_A
- CON\_SPL\_SEL\_B | J2-37 | SPL\_SEL\_B
- CON\_SPL\_SEL\_C | J2-38 | SPL\_SEL\_C
- CON\_SPL\_MOSI | J2-84 | SPI\_MOSI
- CON\_SPL\_MISO | J2-83 | SPI\_MISO
- CON\_SPL\_CLK | J2-82 | SPI\_CLK
- CON\_I2C0\_SDA | J2-80 | SDA\_0
- CON\_I2C0\_SCL | J2-79 | SCL\_0
- CON\_I2C1\_SDA | J2-41 | SDA\_1
- CON\_I2C1\_SCL | J2-42 | SCL\_1
- CON\_UART\_RX | J2-59 | UART\_RX
- CON\_UART\_TX | J2-62 | UART\_TX
- CON\_GPIO[0] | J2-43 | GPIO\_0
- CON\_GPIO[1] | J2-78 | GPIO\_1
- CON\_GPIO[2] | J2-44 | GPIO\_2
- CON\_GPIO[3] | J2-77 | GPIO\_3
- CON\_GPIO[4] | J2-45 | GPIO\_4
- CON\_GPIO[5] | J2-76 | GPIO\_5
- CON\_GPIO[6] | J2-47 | GPIO\_6
- CON\_GPIO[7] | J2-74 | GPIO\_7
- CON\_TMR\_A | J2-48 | TMR\_A
- CON\_TMR\_B | J2-73 | TMR\_B
- CON\_TMR\_D | J2-72 | TMR\_D

- CON\_PAR\_DATA[15] | J2-110 |
- CON\_PAR\_DATA[14] | J2-12 |
- CON\_PAR\_DATA[13] | J2-13 |
- CON\_PAR\_DATA[12] | J2-108 |
- CON\_PAR\_DATA[11] | J2-14 |
- CON\_PAR\_DATA[10] | J2-107 |
- CON\_PAR\_DATA[9] | J2-15 |
- CON\_PAR\_DATA[8] | J2-106 |
- CON\_PAR\_DATA[7] | J2-16 |
- CON\_PAR\_DATA[6] | J2-105 |
- CON\_PAR\_DATA[5] | J2-18 |
- CON\_PAR\_DATA[4] | J2-103 |
- CON\_PAR\_DATA[3] | J2-19 |
- CON\_PAR\_DATA[2] | J2-102 |
- CON\_PAR\_DATA[1] | J2-20 |
- CON\_PAR\_DATA[0] | J2-101 |

- CON\_CLKOUT | J2-71 | CLOCKOUT
- CON\_PAR\_RD | J2-21 | PAR\_RD
- CON\_PAR\_WR | J2-100 | PAR\_WR
- CON\_PAR\_CS | J2-22 | PAR\_CS
- CON\_PAR\_INT | J2-99 | PAR\_INT
- CON\_PAR\_ADDR[3] | J2-24 | PAR\_A3
- CON\_PAR\_ADDR[2] | J2-97 | PAR\_A2
- CON\_PAR\_ADDR[1] | J2-25 | PAR\_A1
- CON\_PAR\_ADDR[0] | J2-96 | PAR\_A0
- CON\_PAR\_FS[3] | J2-26 | PAR\_FS3
- CON\_PAR\_FS[2] | J2-95 | PAR\_FS2
- CON\_PAR\_FS[1] | J2-27 | PAR\_FS1
- CON\_PAR\_CLK | J2-94 | PAR\_CLK



COMPANY: ANALOG DEVICES			
TITLE: SDP-FMC INTERPOSER BOARD			
DRAWN:	DATED: 07/Feb/'12	CODE:	SIZE: C
CHECKED:	DATED: <Checked Date>	DRAWING NO:	REV: 1
QUALITY CONTROL: <QC By>	DATED: <QC Date>	SDP-I-FMC	
RELEASED: <Released By>	DATED: <Release Date>	SCALE: <Scale>	SHEET: 2 of 2