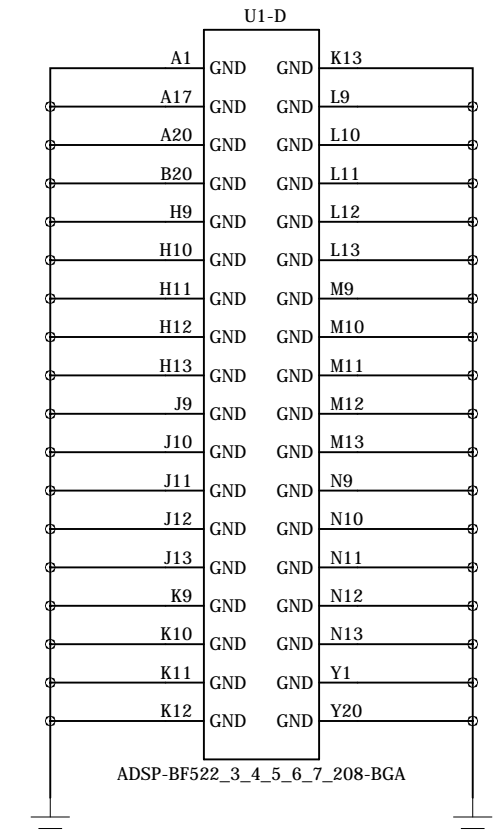
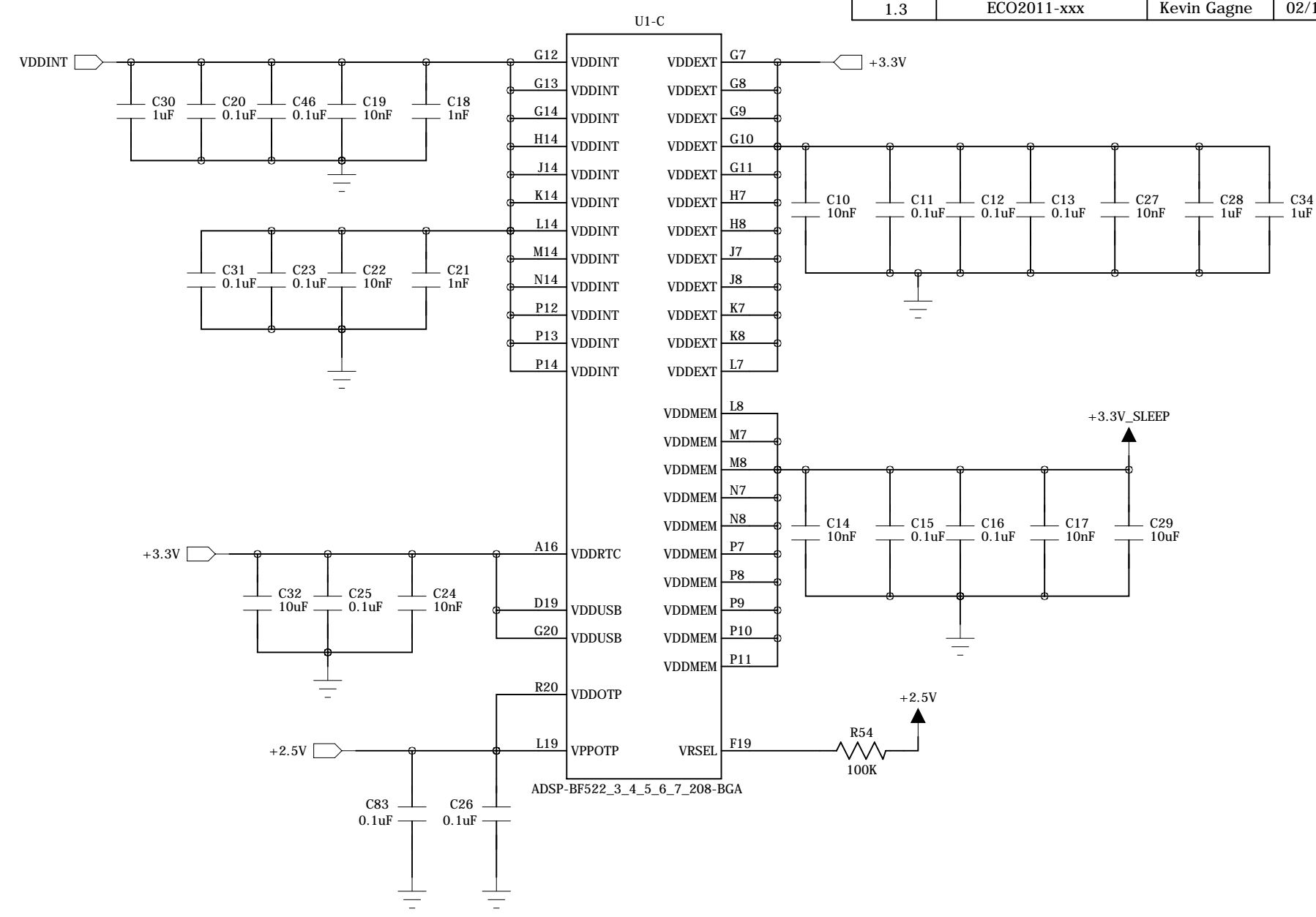
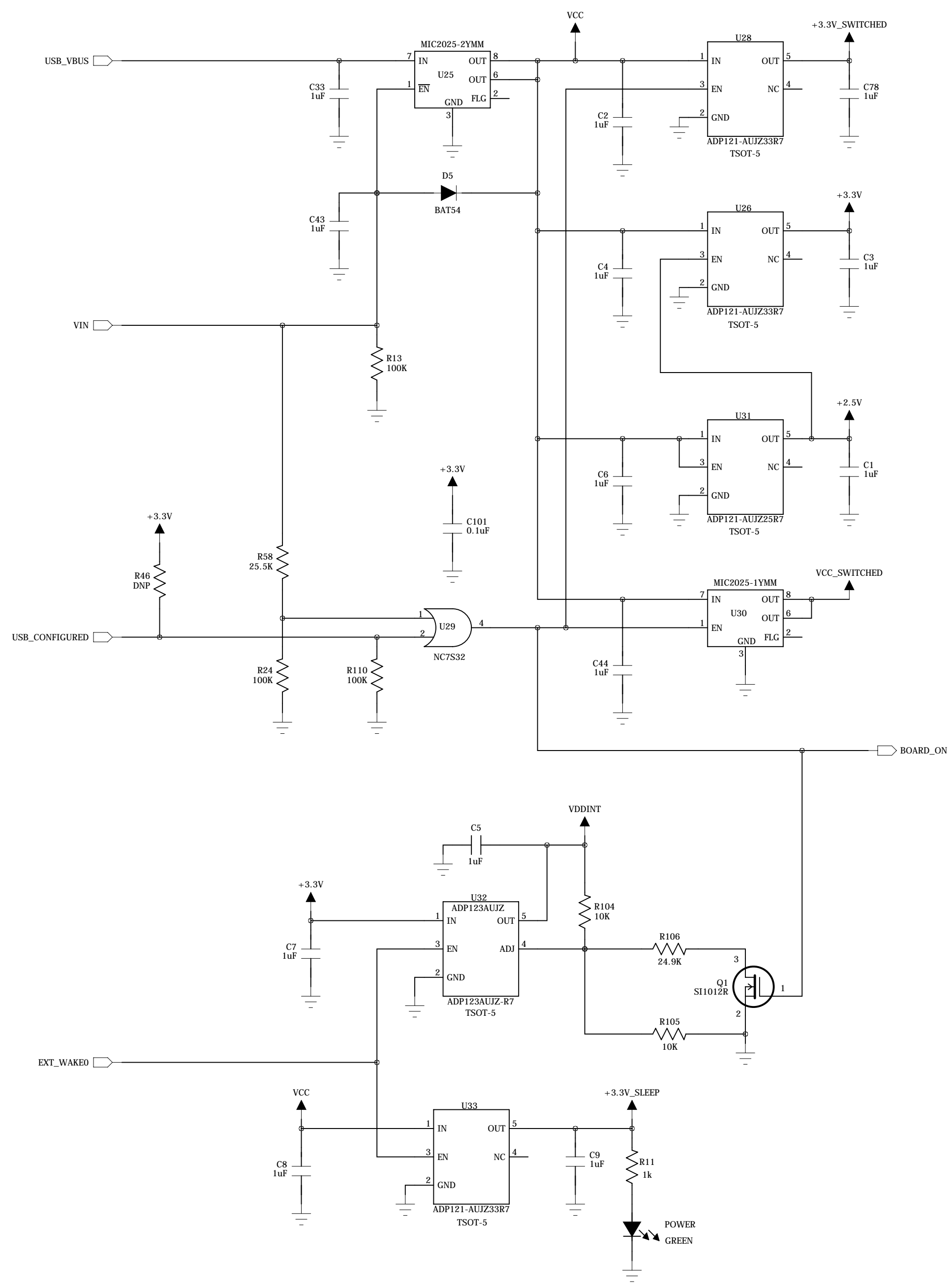


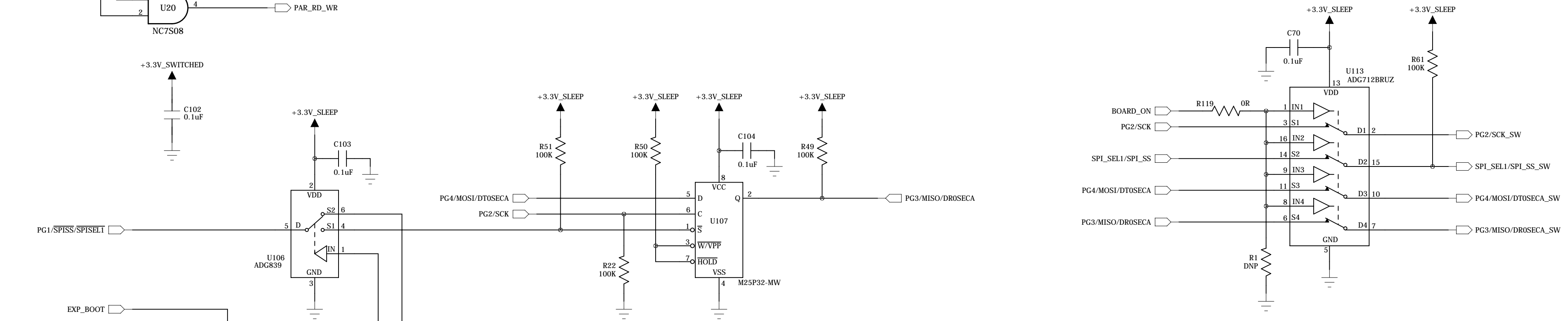
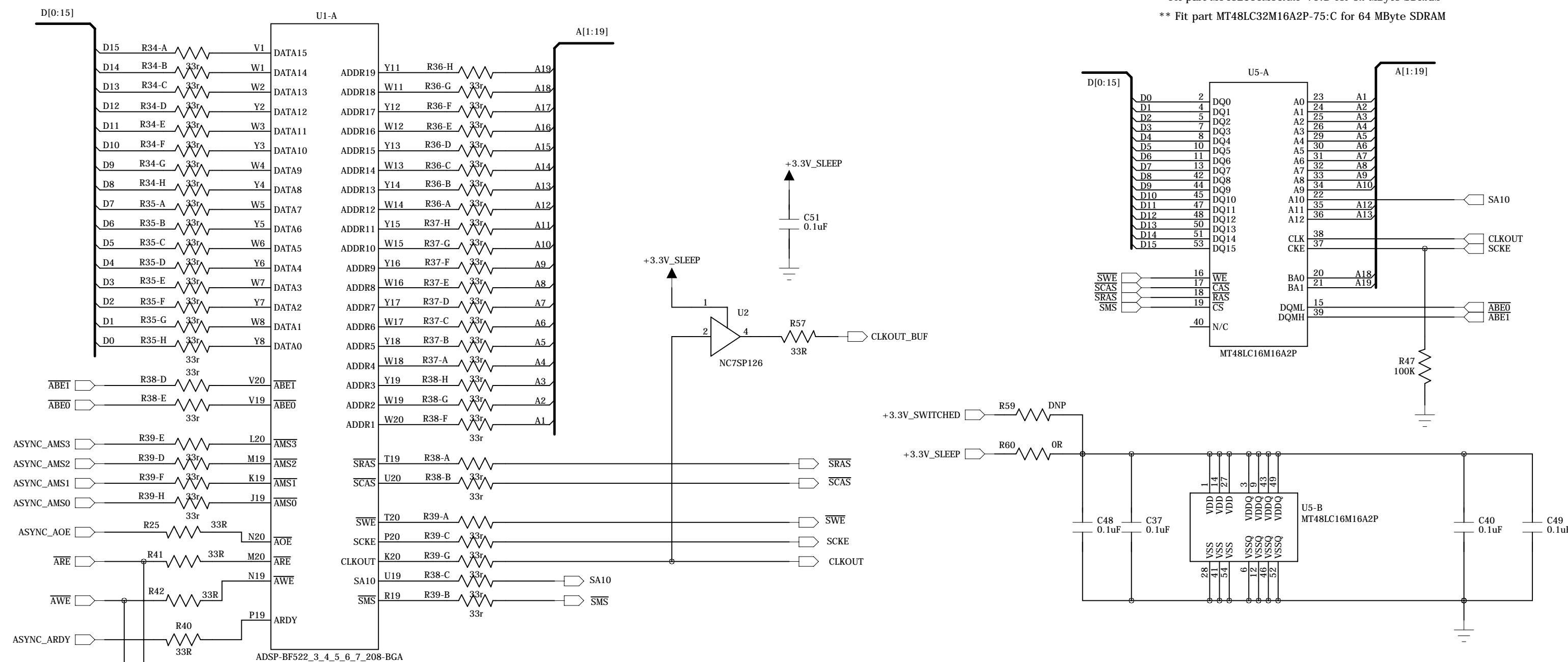
REVISION RECORD			
LTR	ECO NO:	APPROVED:	DATE:
1.0	ECO2010-049	Kevin Gagne	08/10
1.1	ECO2010-052	Kevin Gagne	08/10
1.2	ECO2010-063	Kevin Gagne	11/10
1.3	ECO2011-xxx	Kevin Gagne	02/11



COMPANY:				ANALOG DEVICES			
TITLE:				SYSTEM DEVELOPMENT PLATFORM (POWER)			
DRAWN:	PADDY DUIGNAN	DATED:	29/06/10	CODE:	SIZE:	DRAWING NO:	REV:
CHECKED:	KEVIN GAGNE	DATED:		A2	EVAL-SDP-CB1Z	1.3	
QUALITY CONTROL:		DATED:					
RELEASED:		DATED:					
SCALE:						SHEET: 1 OF 7	

REVISION RECORD			
LTR	ECO NO:	APPROVED:	DATE:
1.0	ECO2010-049	Kevin Gagne	08/10
1.1	ECO2010-052	Kevin Gagne	08/10
1.2	ECO2010-063	Kevin Gagne	11/10
1.3	ECO2011-xxx	Kevin Gagne	02/11

32/64 MByte SDRAM
 * Fit part MT48LC16M16A2P-75:D for 32 MByte SDRAM
 ** Fit part MT48LC32M16A2P-75:C for 64 MByte SDRAM



COMPANY: ANALOG DEVICES			
TITLE: SYSTEM DEVELOPMENT PLATFORM (MEMORY)			
DRAWN: PADDY DUIGNAN	DATED: 29/06/10	CODE:	SIZE:
CHECKED: KEVIN GAGNE	DATED:	DRAWING NO: EVAL-SDP-CB1Z	REV: 1.3
QUALITY CONTROL:	DATED:	SCALE:	SHEET: 2 OF 7

RELEASED:	DATED:
-----------	--------

6

5

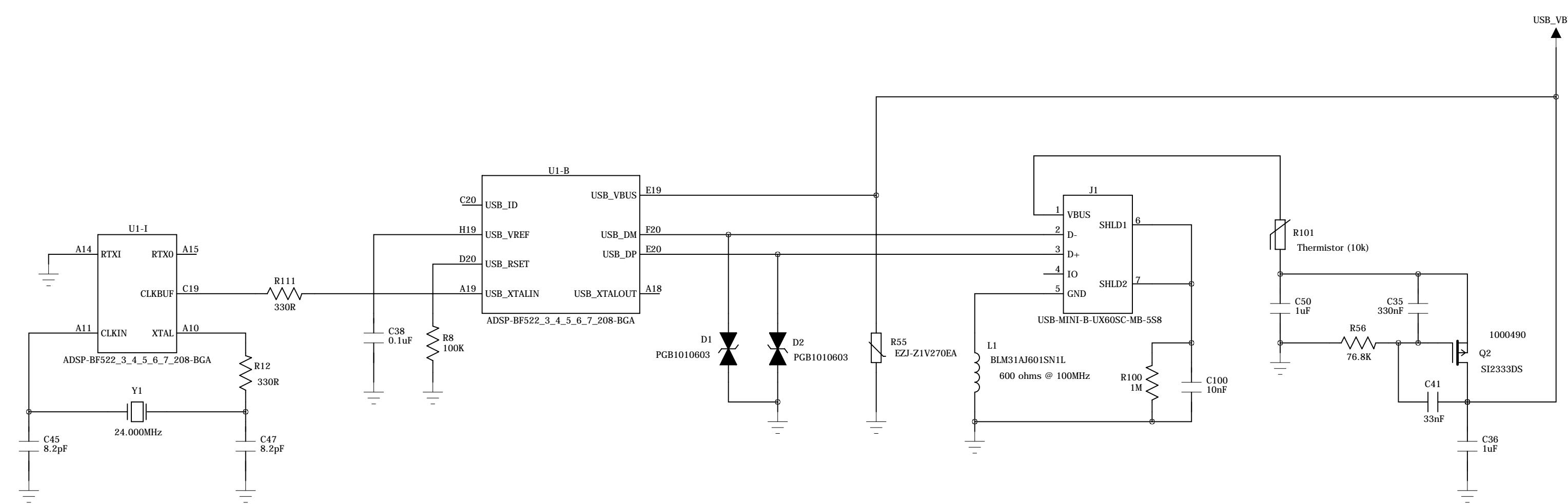
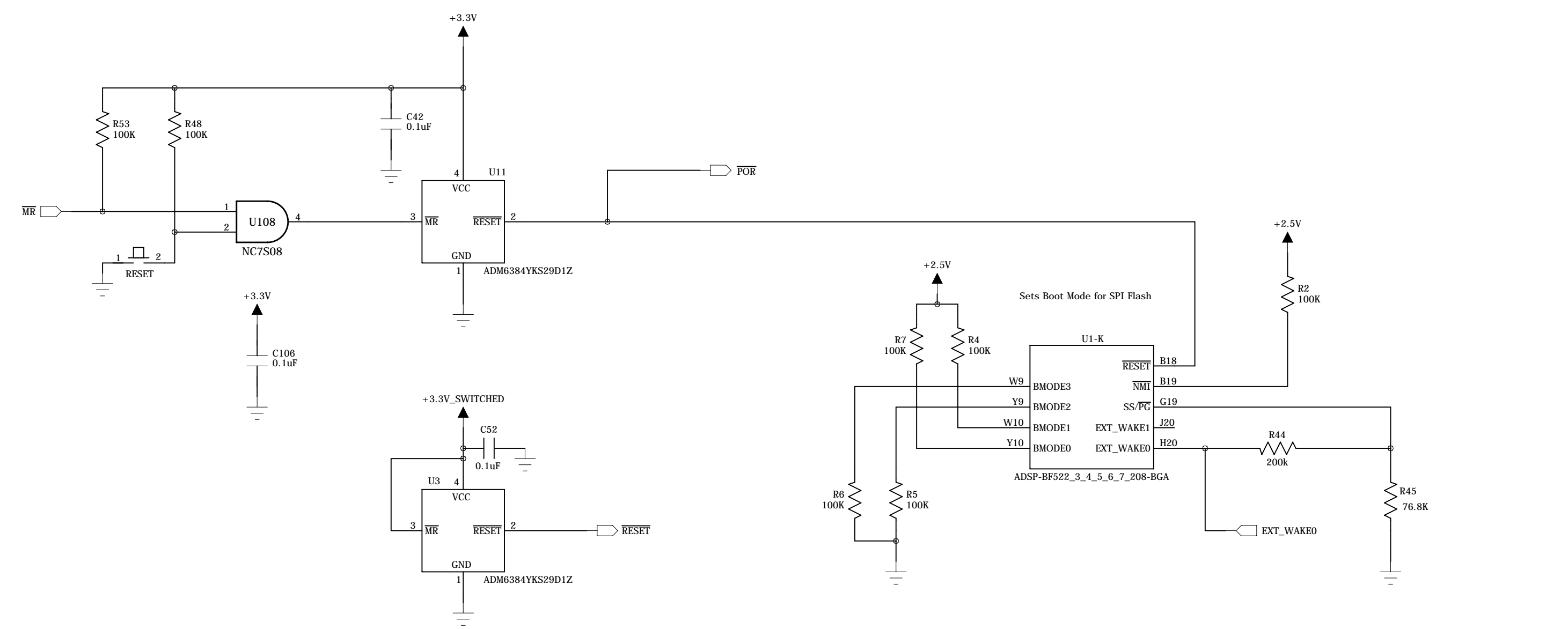
4

3

2

1

REVISION RECORD			
LTR	ECO NO:	APPROVED:	DATE:
1.0	ECO2010-049	Kevin Gagne	08/10
1.1	ECO2010-052	Kevin Gagne	08/10
1.2	ECO2010-063	Kevin Gagne	11/10
1.3	ECO2011-xxx	Kevin Gagne	02/11



COMPANY:				ANALOG DEVICES			
TITLE:				SYSTEM DEVELOPMENT PLATFORM (CLOCK_USB)			
DRAWN: PADDY DUIGNAN	DATED: 29/06/10	CHECKED: KEVIN GAGNE	DATED:	CODE:	SIZE: A2	DRAWING NO: EVAL-SDP-CB1Z	REV: 1.3
QUALITY CONTROL:	DATED:	RELEASED:	DATED:	SCALE:	SHEET: 3 OF 7		

6

5

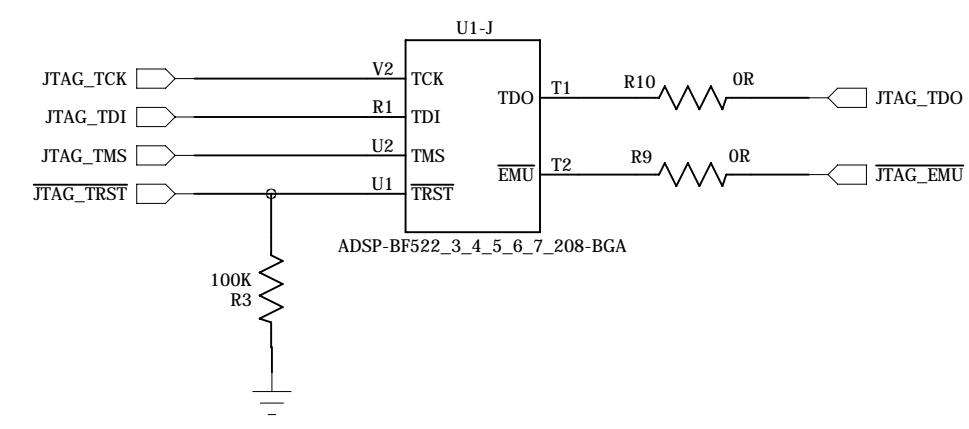
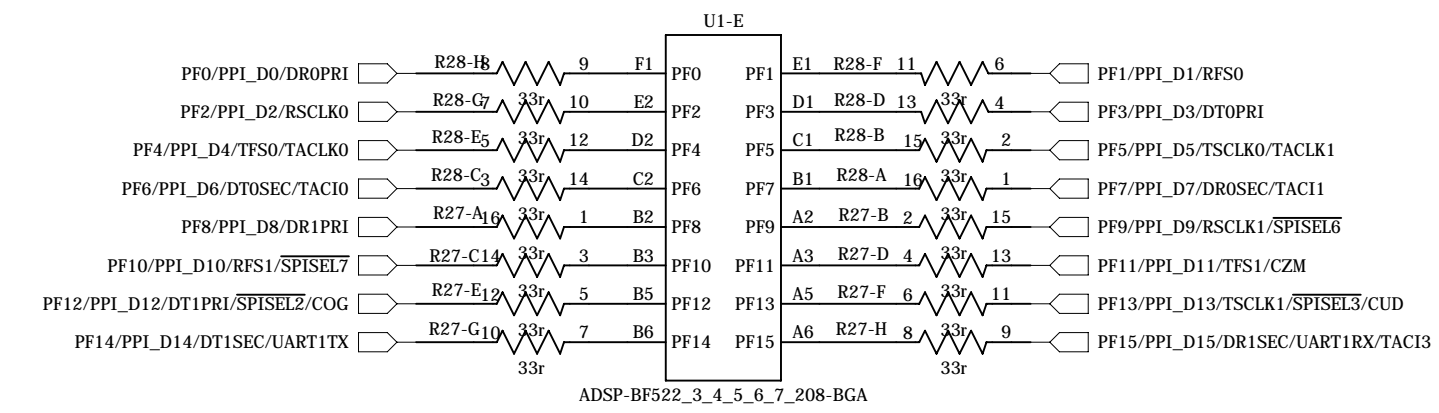
4

3

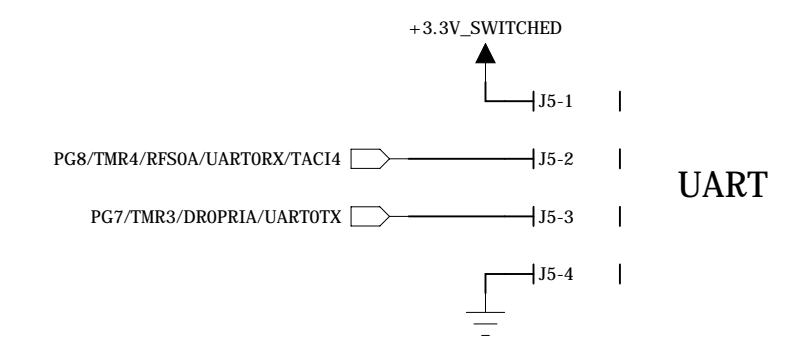
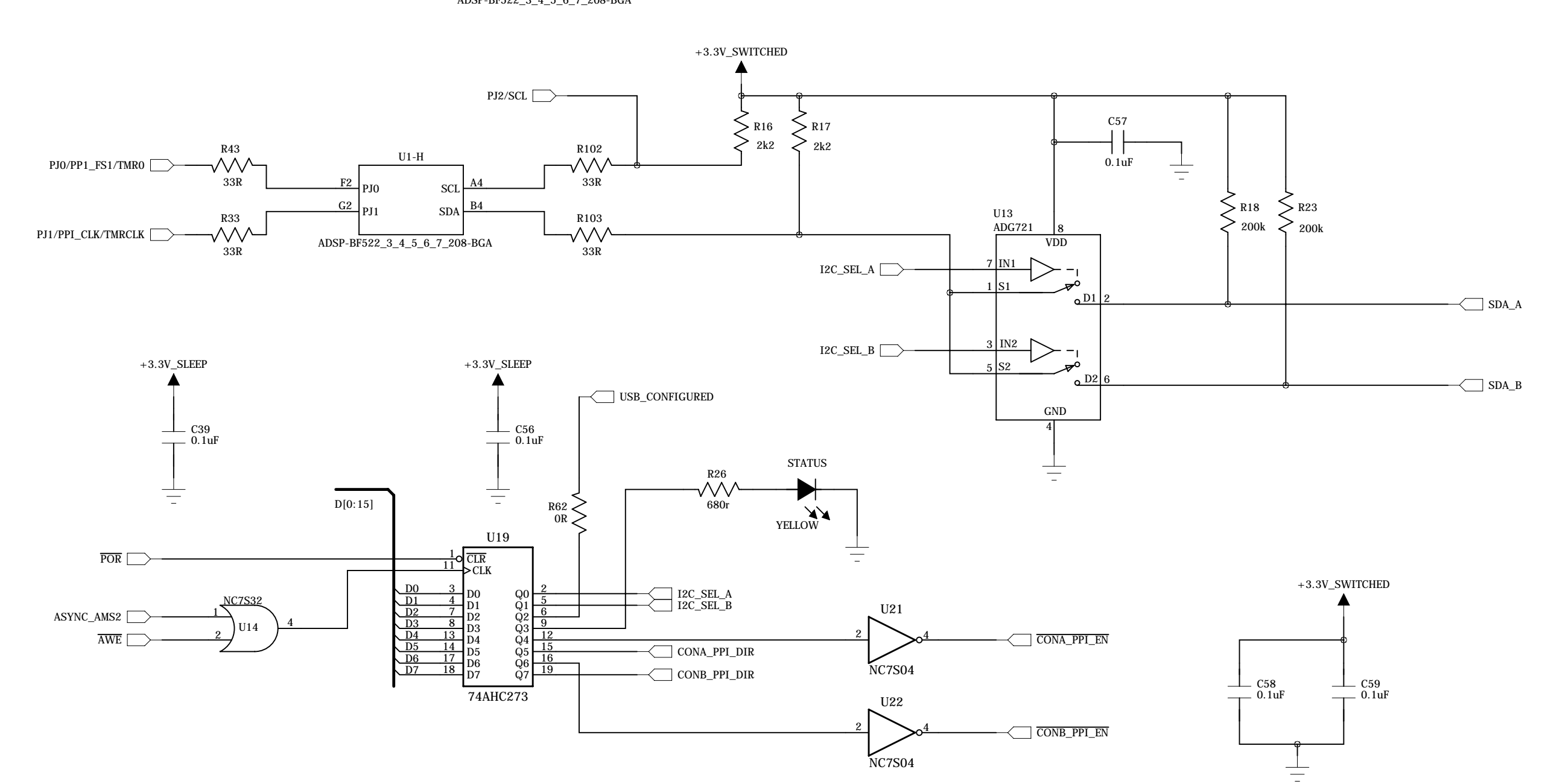
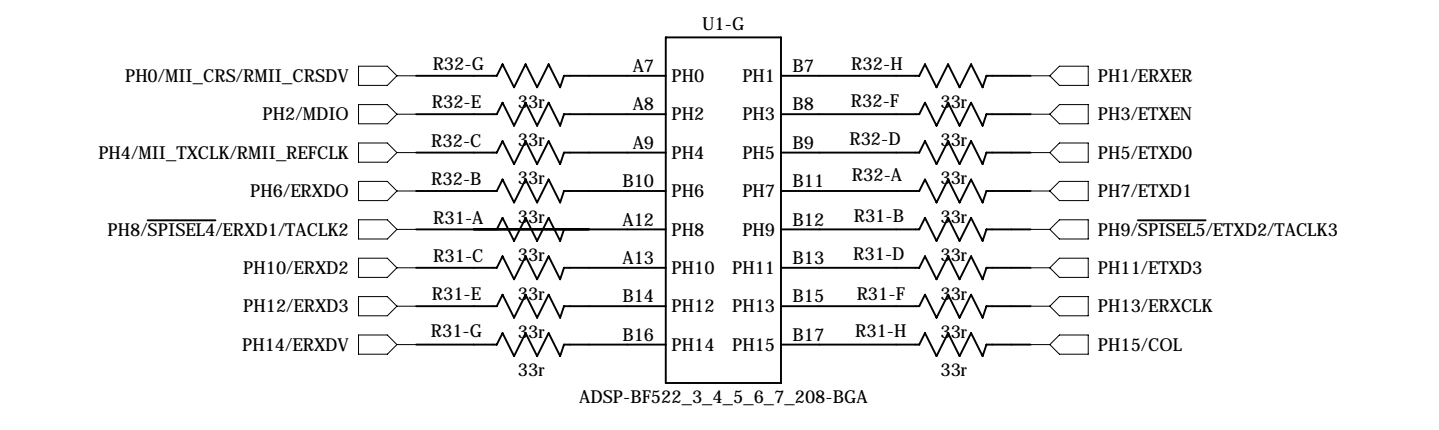
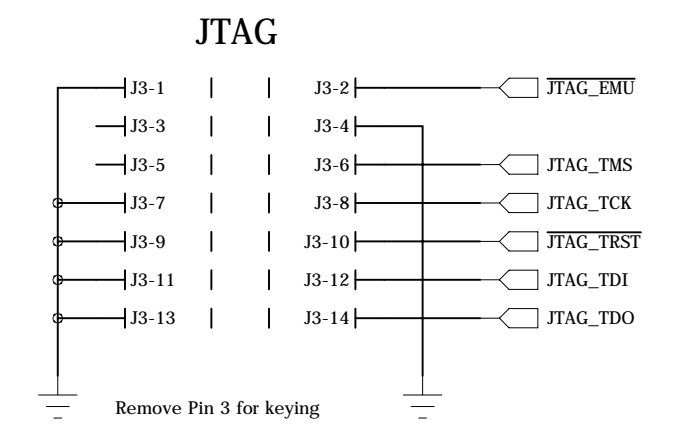
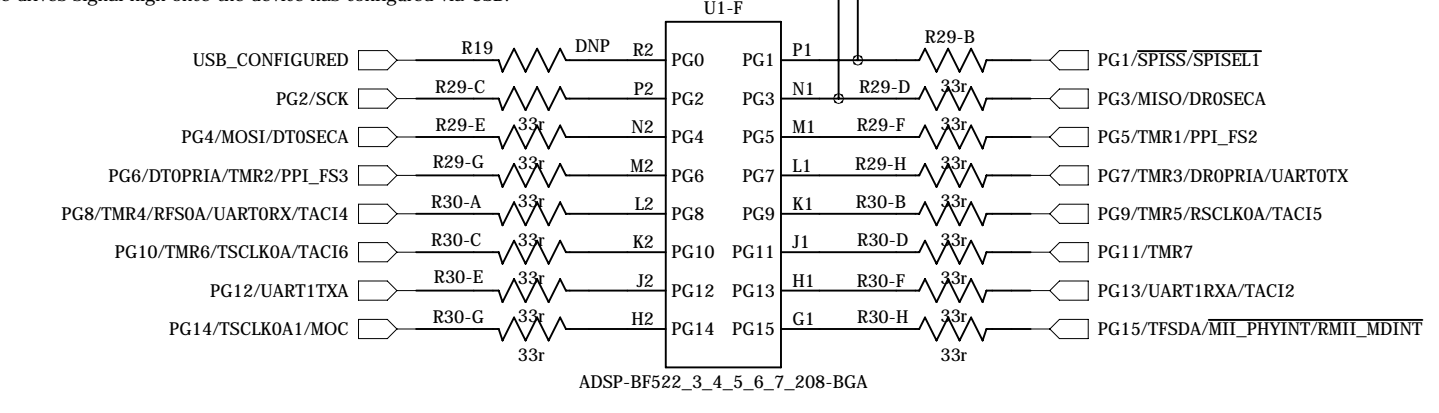
2

1

REVISION RECORD			
LTR	ECO NO:	APPROVED:	DATE:
1.0	ECO2010-049	Kevin Gagne	08/10
1.1	ECO2010-052	Kevin Gagne	08/10
1.2	ECO2010-063	Kevin Gagne	11/10
1.3	ECO2011-xxx	Kevin Gagne	02/11



DSP firmware code drives signal high once the device has configured via USB.



COMPANY: ANALOG DEVICES			
TITLE: SYSTEM DEVELOPMENT PLATFORM (BLACKFIN I/O)			
DRAWN: PADDY DUIGNAN	DATED: 29/06/10	CODE:	REV: 1.3
CHECKED: KEVIN GAGNE	DATED:	SIZE: A2	DRAWING NO: EVAL-SDP-CB1Z
QUALITY CONTROL:	DATED:	SHEET: 4 OF 7	
RELEASED:	DATED:	SCALE:	

D

D

C

C

B

B

A

A

6

5

4

3

2

1

REVISION RECORD			
LTR	ECO NO:	APPROVED:	DATE:
1.0	ECO2010-049	Kevin Gagne	08/10
1.1	ECO2010-052	Kevin Gagne	08/10
1.2	ECO2010-063	Kevin Gagne	11/10
1.3	ECO2011-xxx	Kevin Gagne	02/11

D

D

C

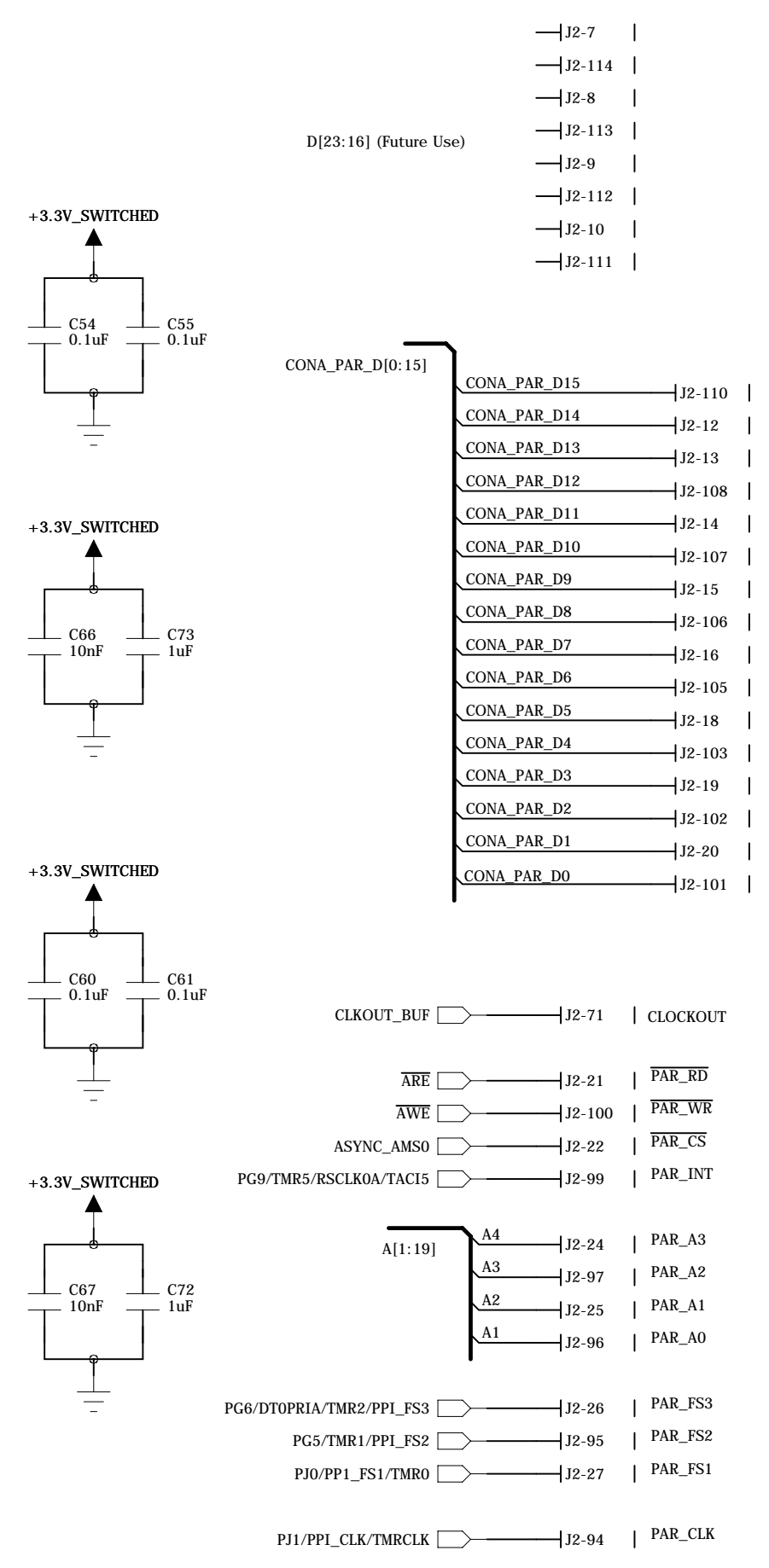
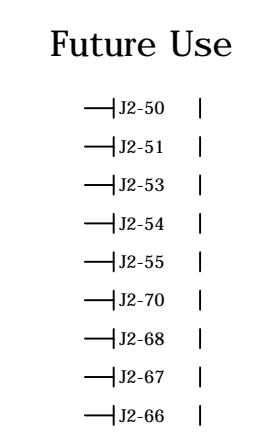
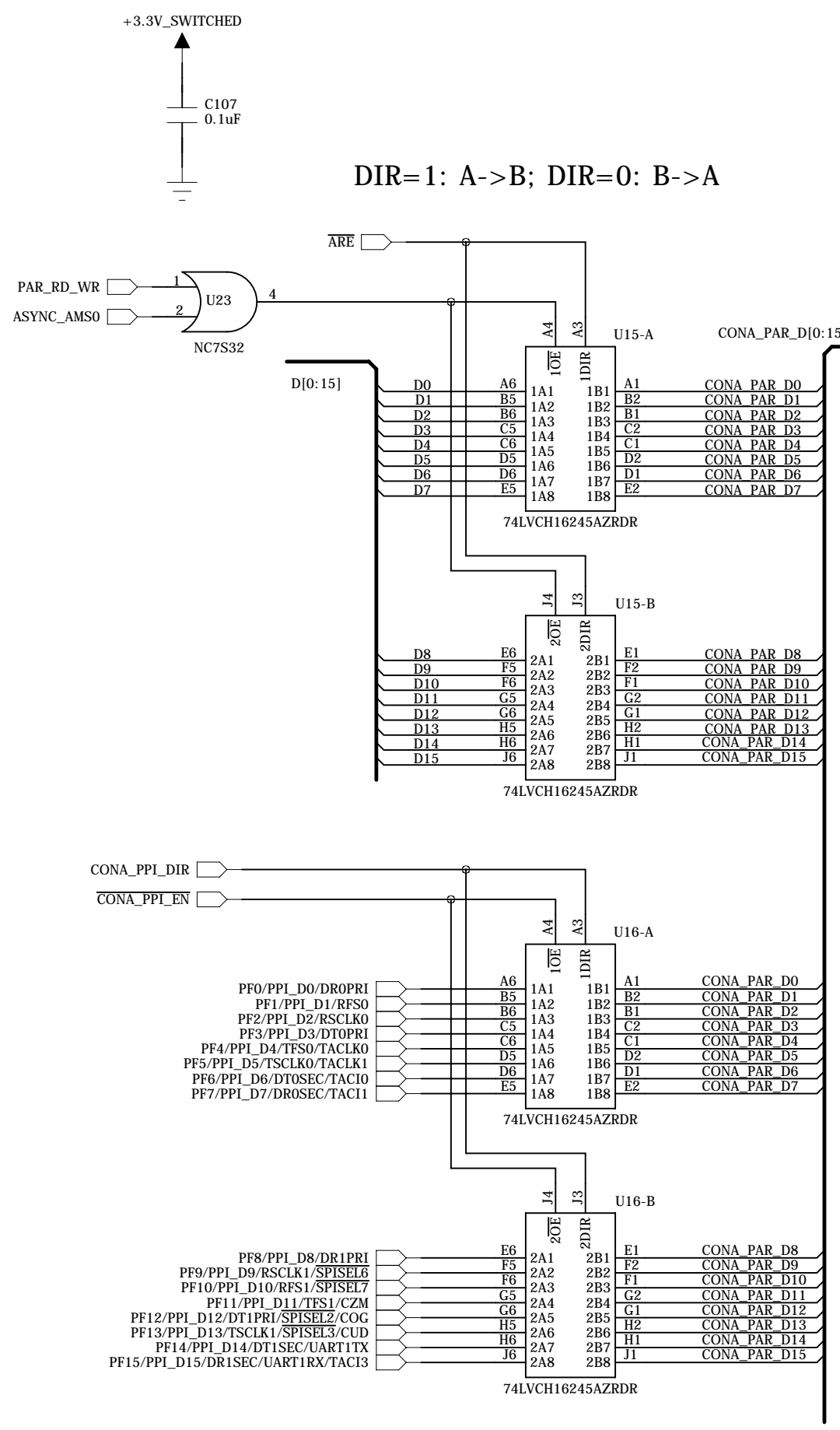
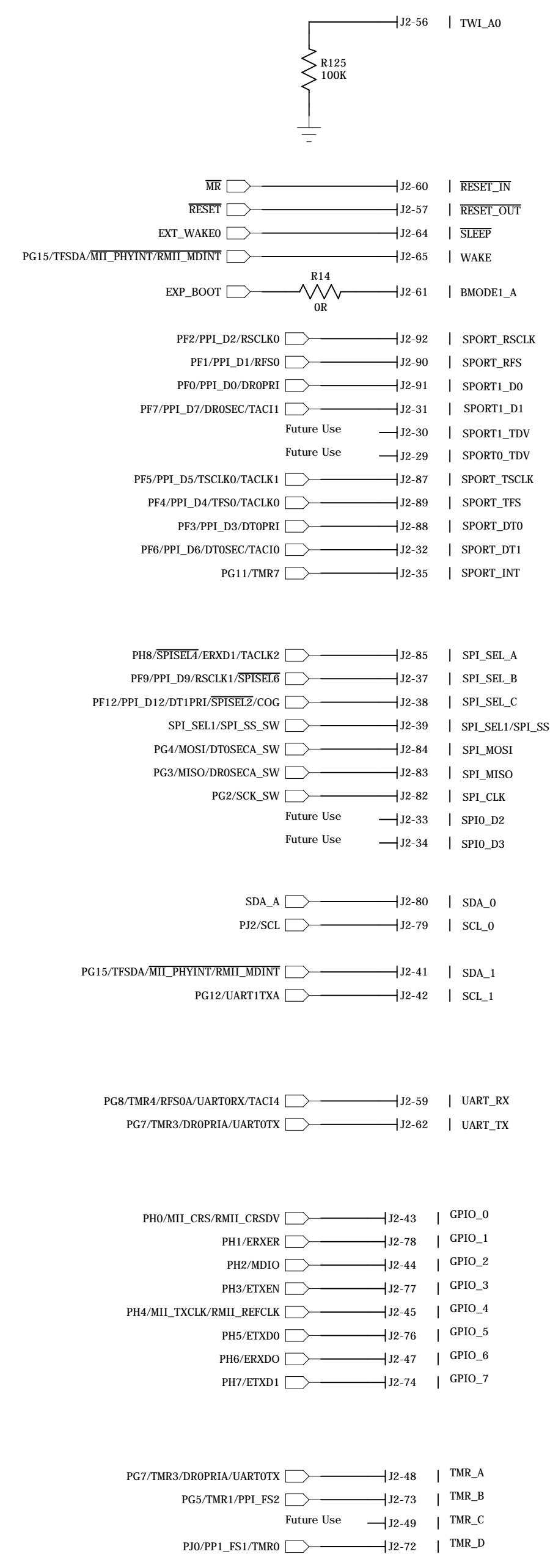
C

B

B

A

A



COMPANY: ANALOG DEVICES			
TITLE: SYSTEM DEVELOPMENT PLATFORM (CONNECTOR A)			
DRAWN: PADDY DUIGNAN	DATED: 29/06/10	CODE:	REV: 1.3
CHECKED: KEVIN GAGNE	DATED:	SIZE: A2	DRAWING NO: EVAL-SDP-CB1Z
QUALITY CONTROL:	DATED:	SHEET: 5 OF 7	
RELEASED:	DATED:	7	

6

5

4

3

2

1

REVISION RECORD			
LTR	ECO NO:	APPROVED:	DATE:
1.0	ECO2010-049	Kevin Gagne	08/10
1.1	ECO2010-052	Kevin Gagne	08/10
1.2	ECO2010-063	Kevin Gagne	11/10
1.3	ECO2011-xxx	Kevin Gagne	02/11

D

D

C

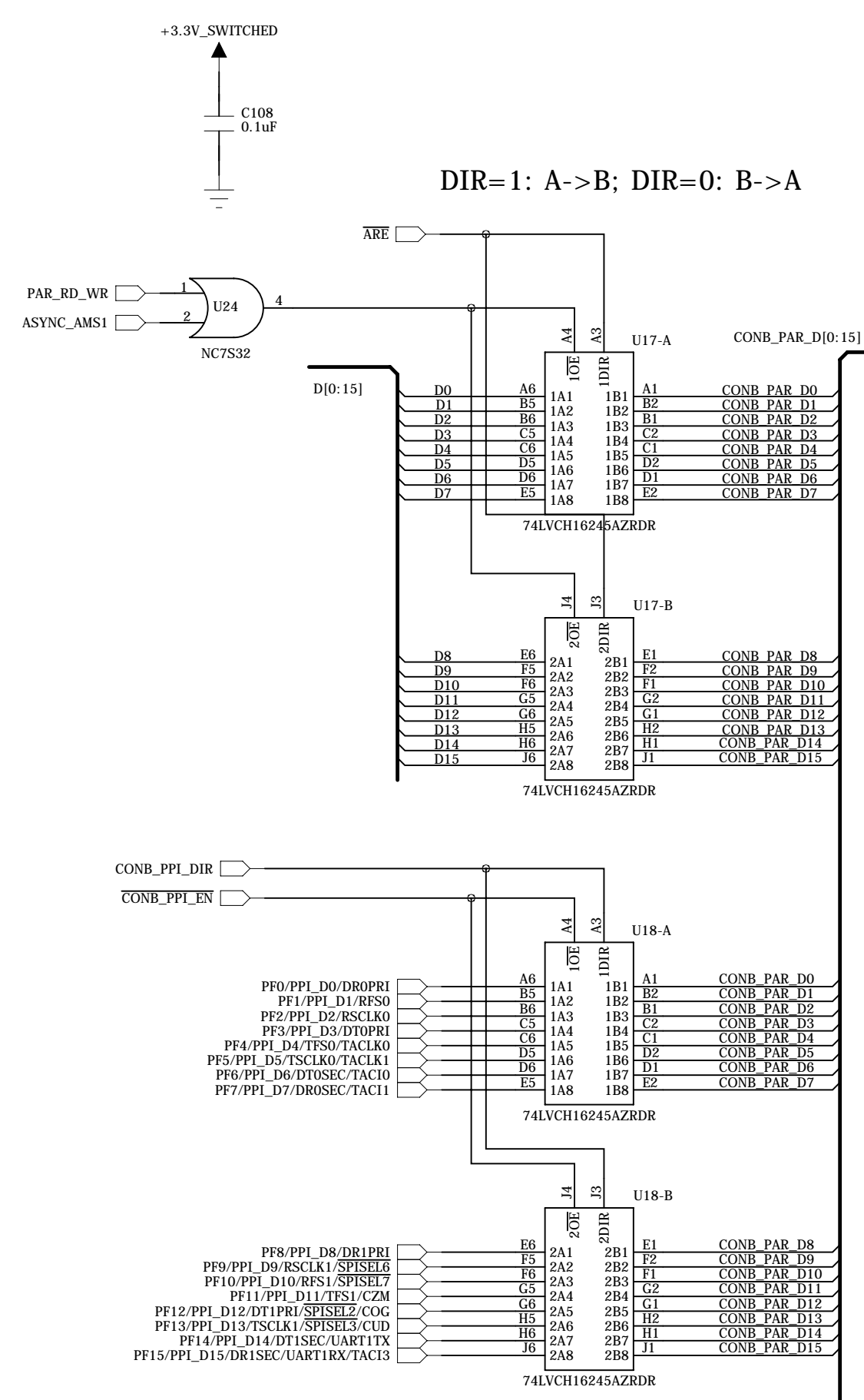
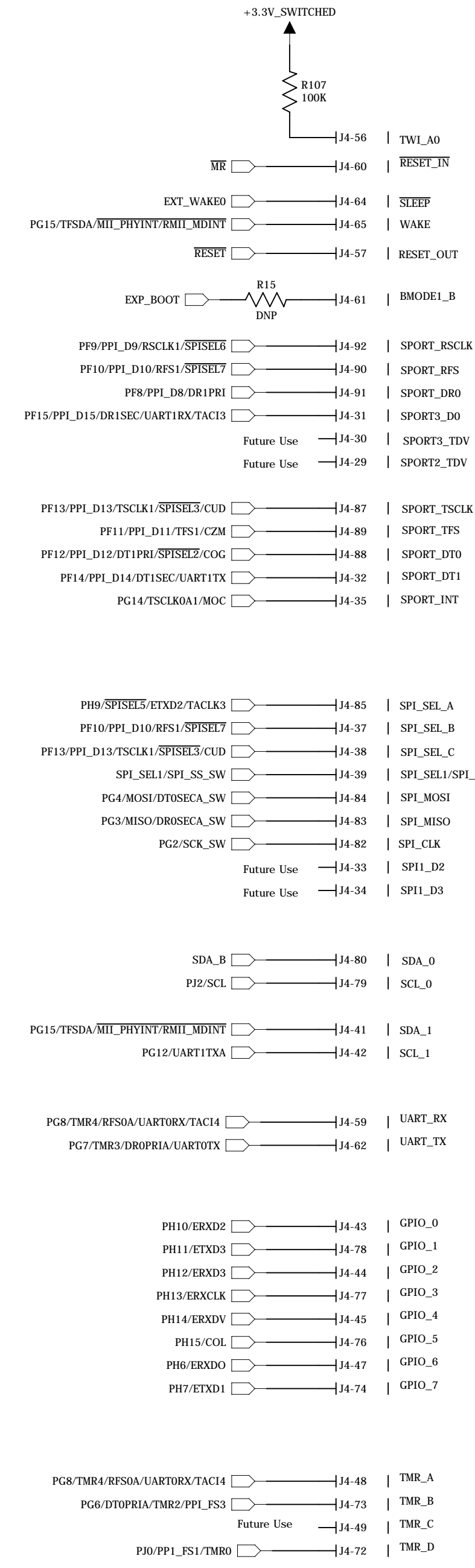
C

B

B

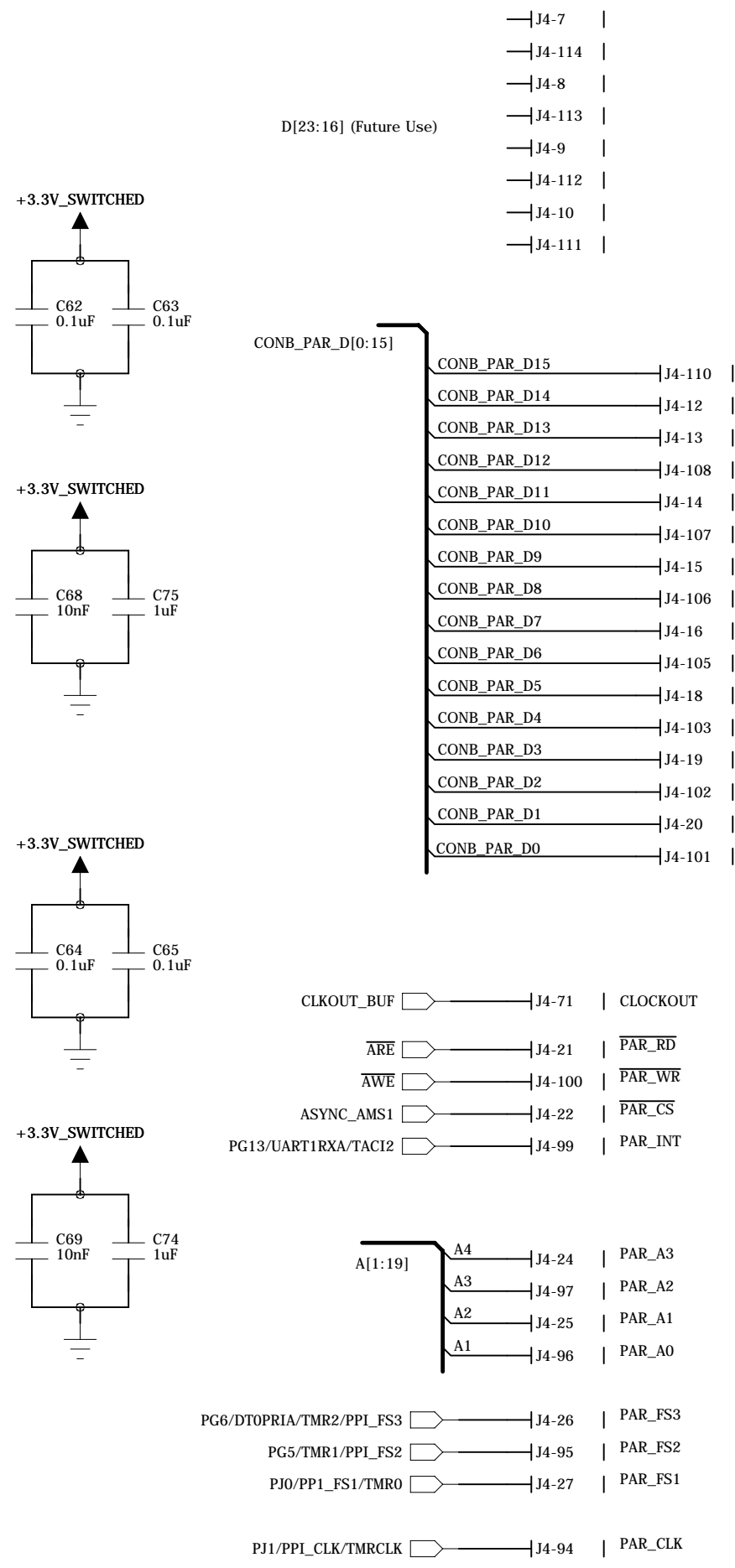
A

A



Future Use

- J4-50
- J4-51
- J4-53
- J4-54
- J4-55
- J4-70
- J4-75
- J4-67
- J4-66



COMPANY:		ANALOG DEVICES			
TITLE:		SYSTEM DEVELOPMENT PLATFORM (CONNECTOR B)			
DRAWN: PADDY DUIGNAN	DATED: 29/06/10	CODE:	SIZE: A2	DRAWING NO: EVAL-SDP-CB1Z	REV: 1.3
CHECKED: KEVIN GAGNE	DATED:	RELEASED:	DATED:	SCALE:	SHEET: 6 OF 7

6

5

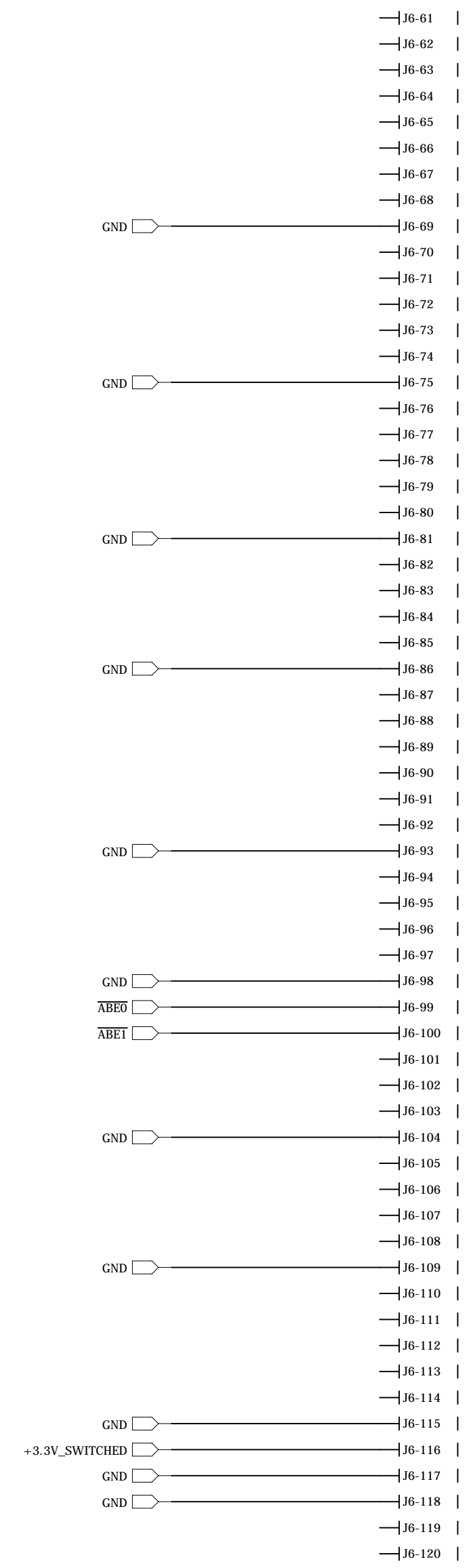
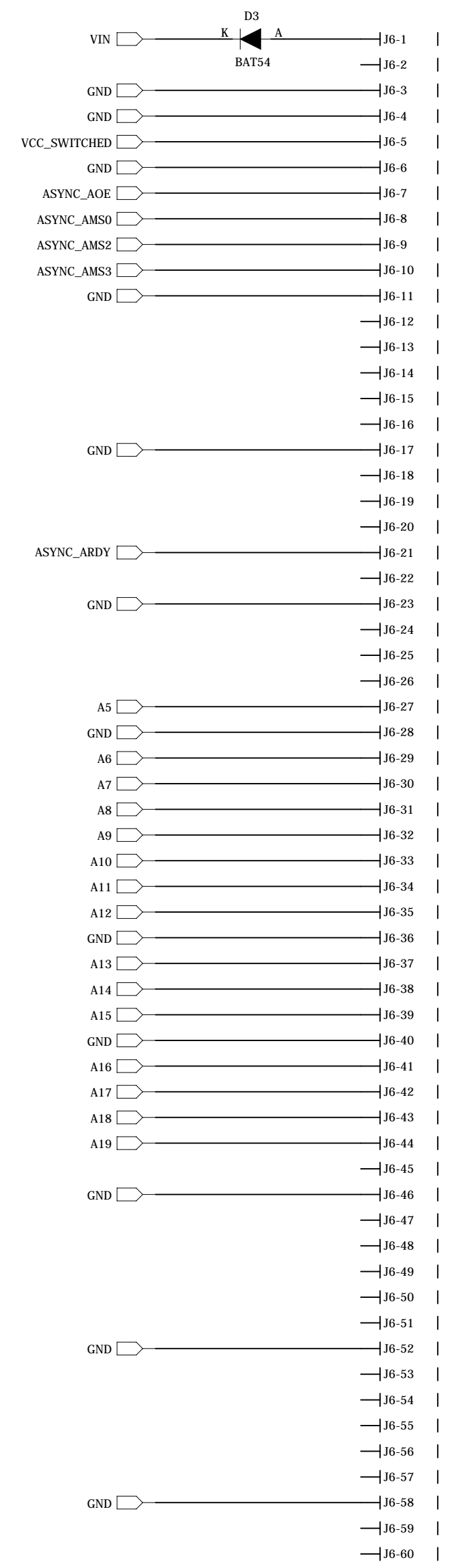
4

3

2

1

REVISION RECORD			
LTR	ECO NO:	APPROVED:	DATE:
1.0	ECO2010-049	Kevin Gagne	08/10
1.1	ECO2010-052	Kevin Gagne	08/10
1.2	ECO2010-063	Kevin Gagne	11/10
1.3	ECO2011-xxx	Kevin Gagne	02/11



D

C

B

A

D

C

B

A

COMPANY:				ANALOG DEVICES			
TITLE:				SYSTEM DEVELOPMENT PLATFORM (CONNECTOR C)			
DRAWN: PADDY DUIGNAN	DATED: 29/06/10	CODE:	SIZE: A2	DRAWING NO: EVAL-SDP-CB1Z	REV: 1.3		
CHECKED: KEVIN GAGNE	DATED:	SCALE:	SHEET: 7 OF 7				
QUALITY CONTROL:	DATED:						
RELEASED:	DATED:						