

REVISIONS			
REV	DESCRIPTION	DATE	APPROVED

LAYOUT NOTES

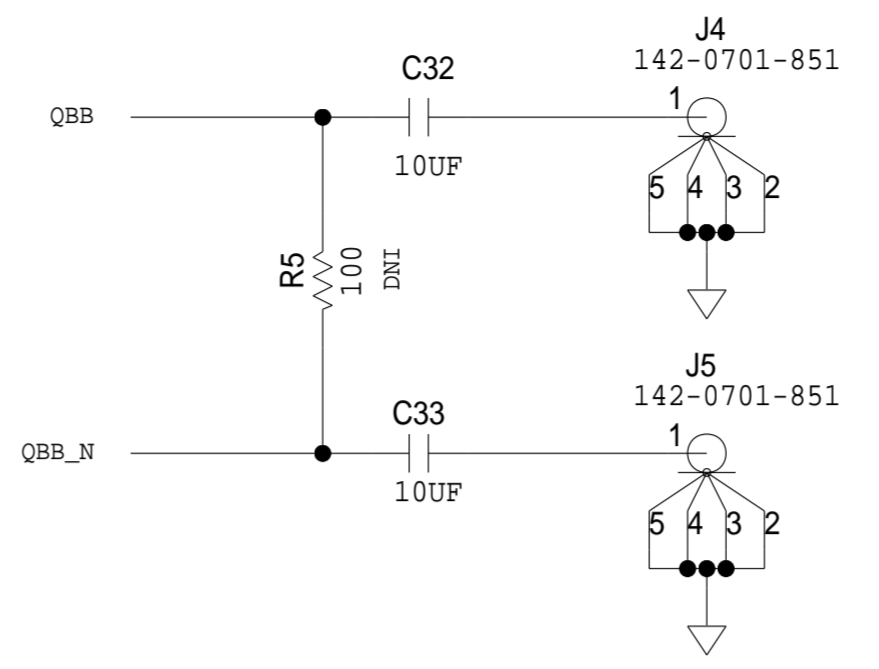
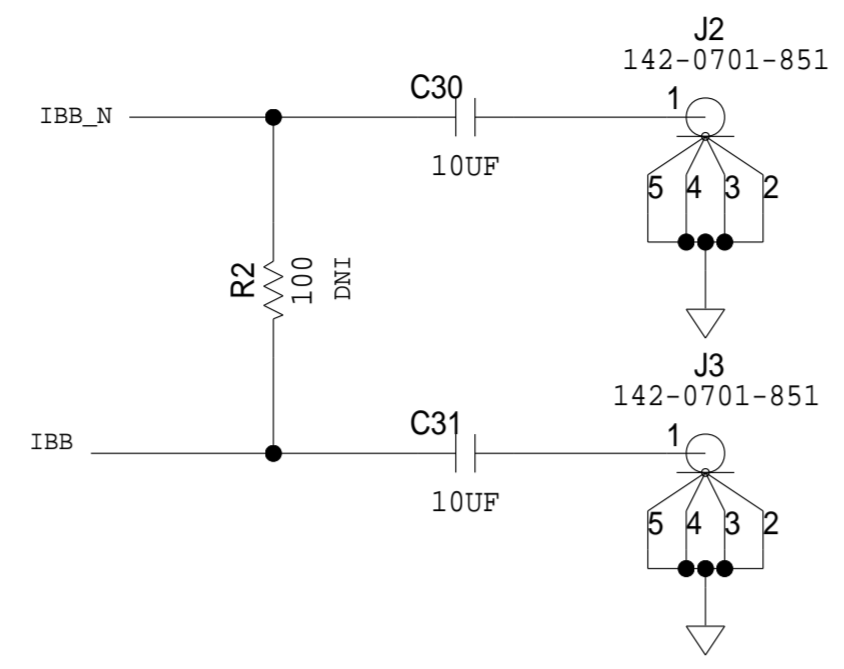
LAYOUT NOTE 1:
CONNECT ALL GND PINS TOGETHER AND TO THE PADDLE

LAYOUT NOTE 2:
PLACE C1 AS CLOSE AS POSSIBLE TO J14

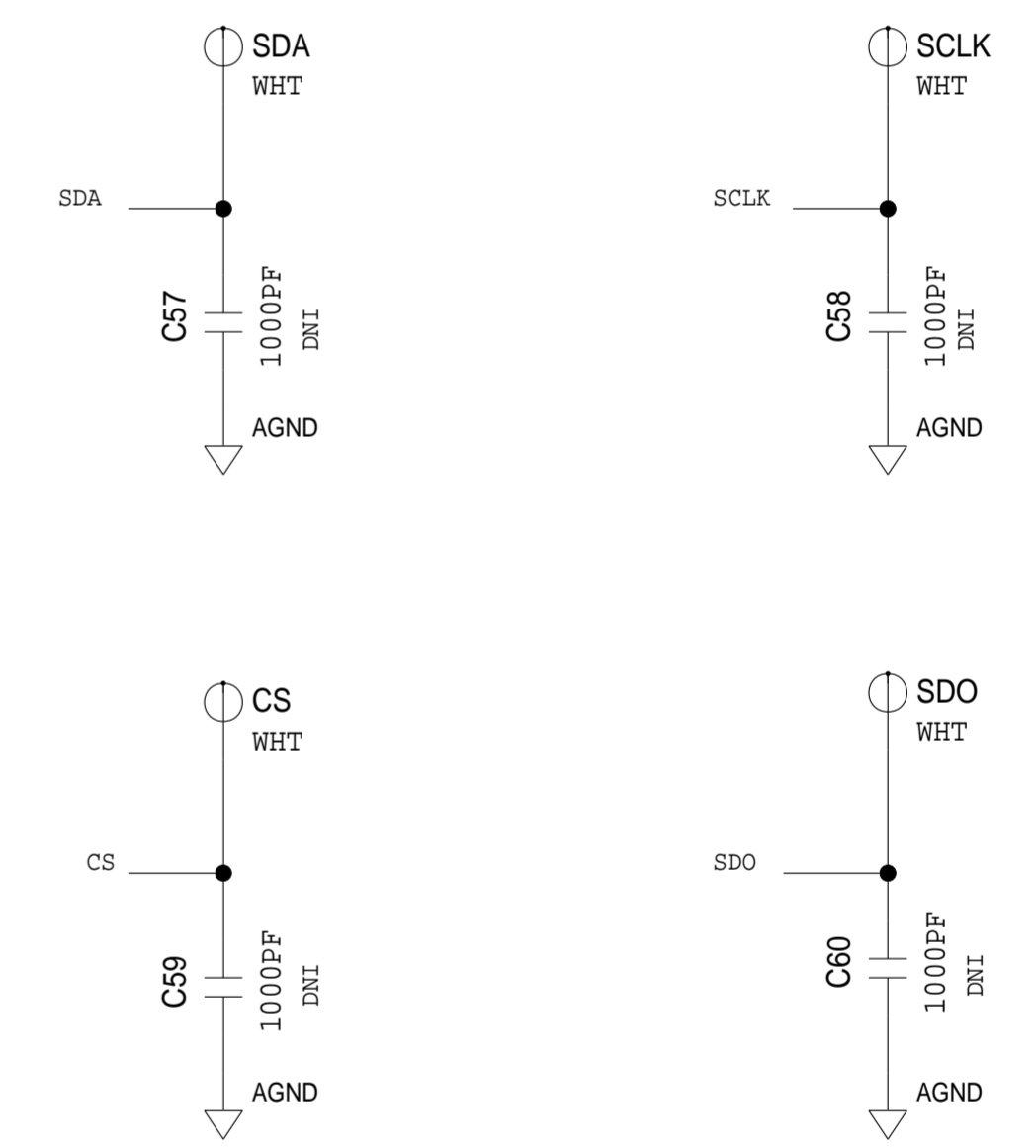
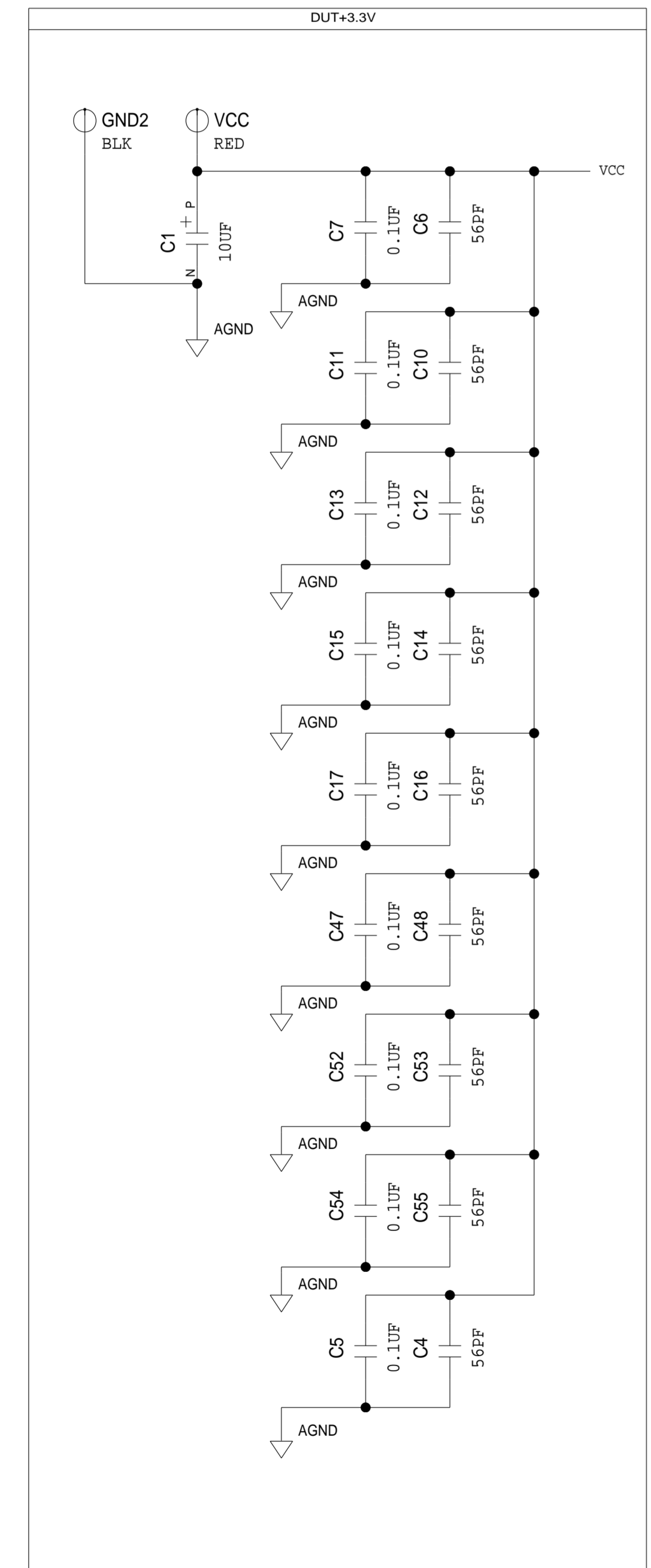
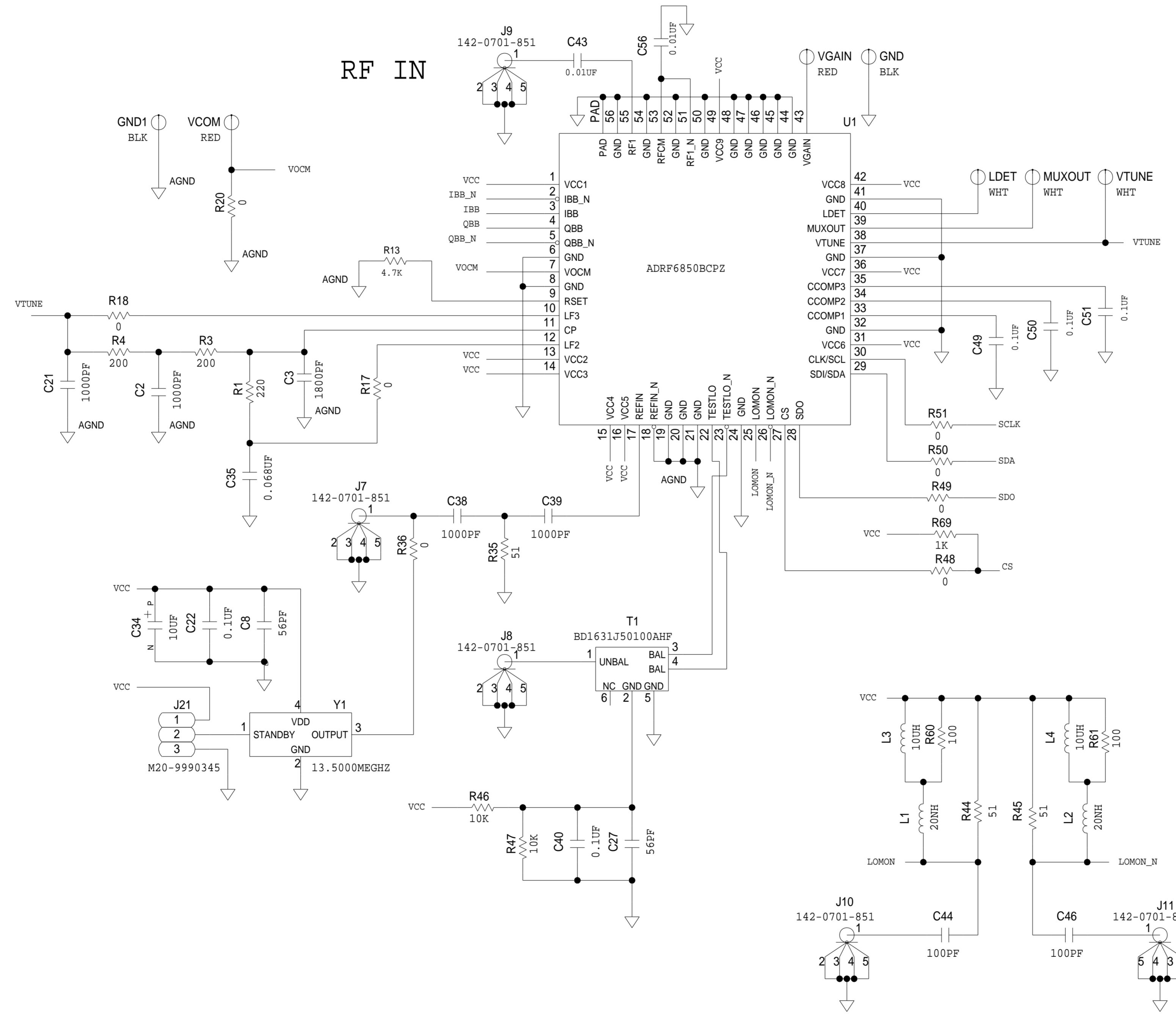
LAYOUT NOTE 3:
PLACE EACH OF THE 10 PF CAPS AS CLOSE TO EACH OF THE VCC PINS FOLLOWED BY THE 100NF CAPS

LAYOUT NOTE 4:
CUT OUTS TO BE PLACED UNDER CAPS ON PINS 45 & 48

LAYOUT NOTE 5:
KEEP TRACES FROM BALL PINS 3 & 4 AS SHORT AS POSSIBLE AND ALSO MATCHED IN LENGTH



RF OUT

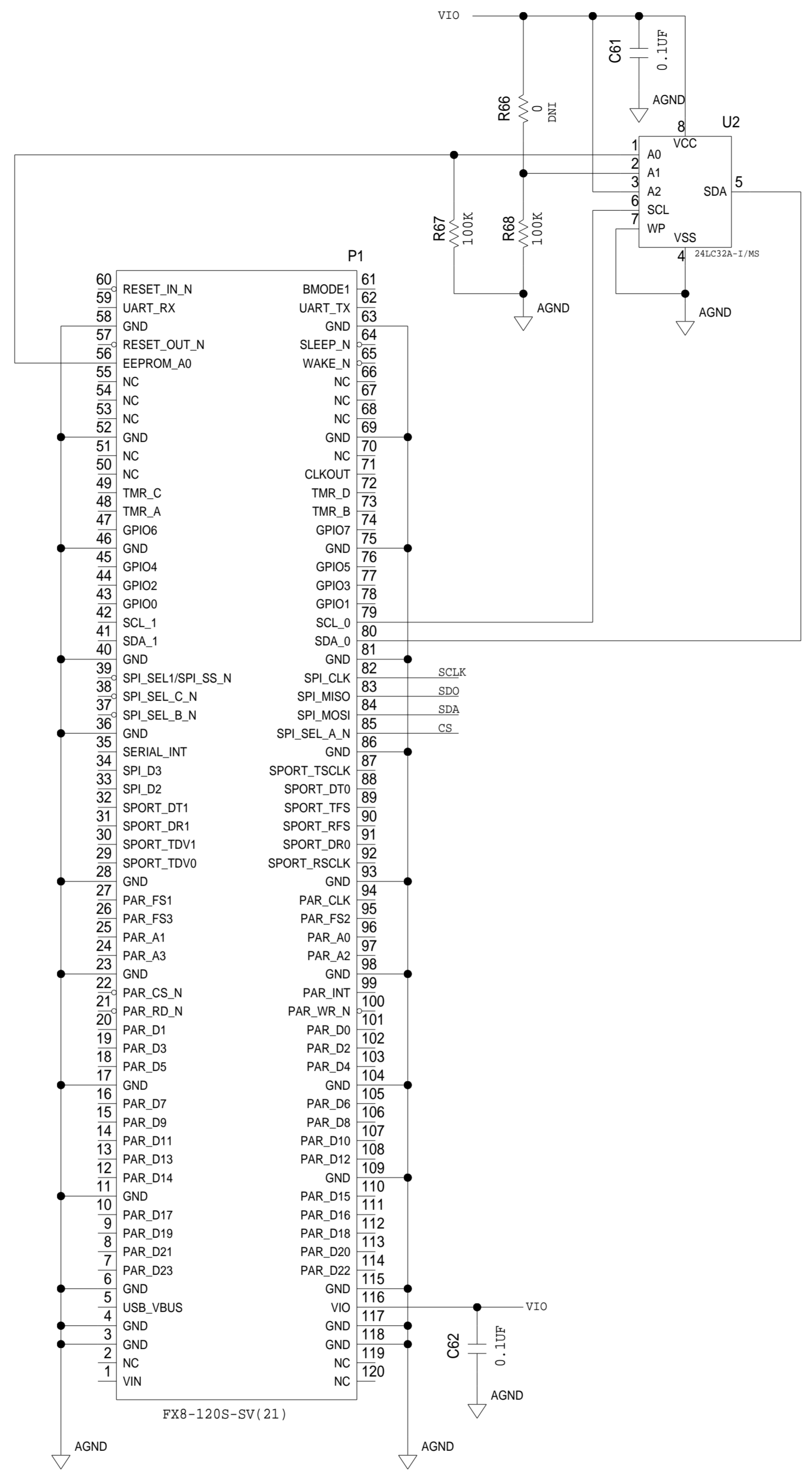


SCHEMATIC			
HW TYPE : Customer Evaluation Z Product(s) : ADRF6850 : N/A		DRAWING NO. 02_068323	REV A
DESIGN VIEW <DESIGN_VIEW>	PTD ENGINEER S. CABATAN	SIZE D	SCALE 1:1
		SHEET 2	OF 3

ANALOG DEVICES

THIS DRAWING IS THE PROPERTY OF ANALOG DEVICES INC. IT IS NOT TO BE REPRODUCED OR COPIED, IN WHOLE OR IN PART, OR USED IN FURNISHING INFORMATION TO OTHERS, OR FOR ANY OTHER PURPOSE DETRIMENTAL TO THE INTERESTS OF ANALOG DEVICES. THE EQUIPMENT SHOWN HEREIN MAY BE PROTECTED BY PATENTS OWNED OR CONTROLLED BY ANALOG DEVICES.

REVISIONS			
REV	DESCRIPTION	DATE	APPROVED



	SCHEMATIC		
	HW TYPE : Customer Evaluation Z Product(s): ADRF6850 : N/A		
	DESIGN VIEW <DESIGN_VIEW>	DRAWING NO. 02_068323	REV A
	PTD ENGINEER S. CABATAN	SIZE D	SCALE 1:1
		SHEET 3 OF 3	