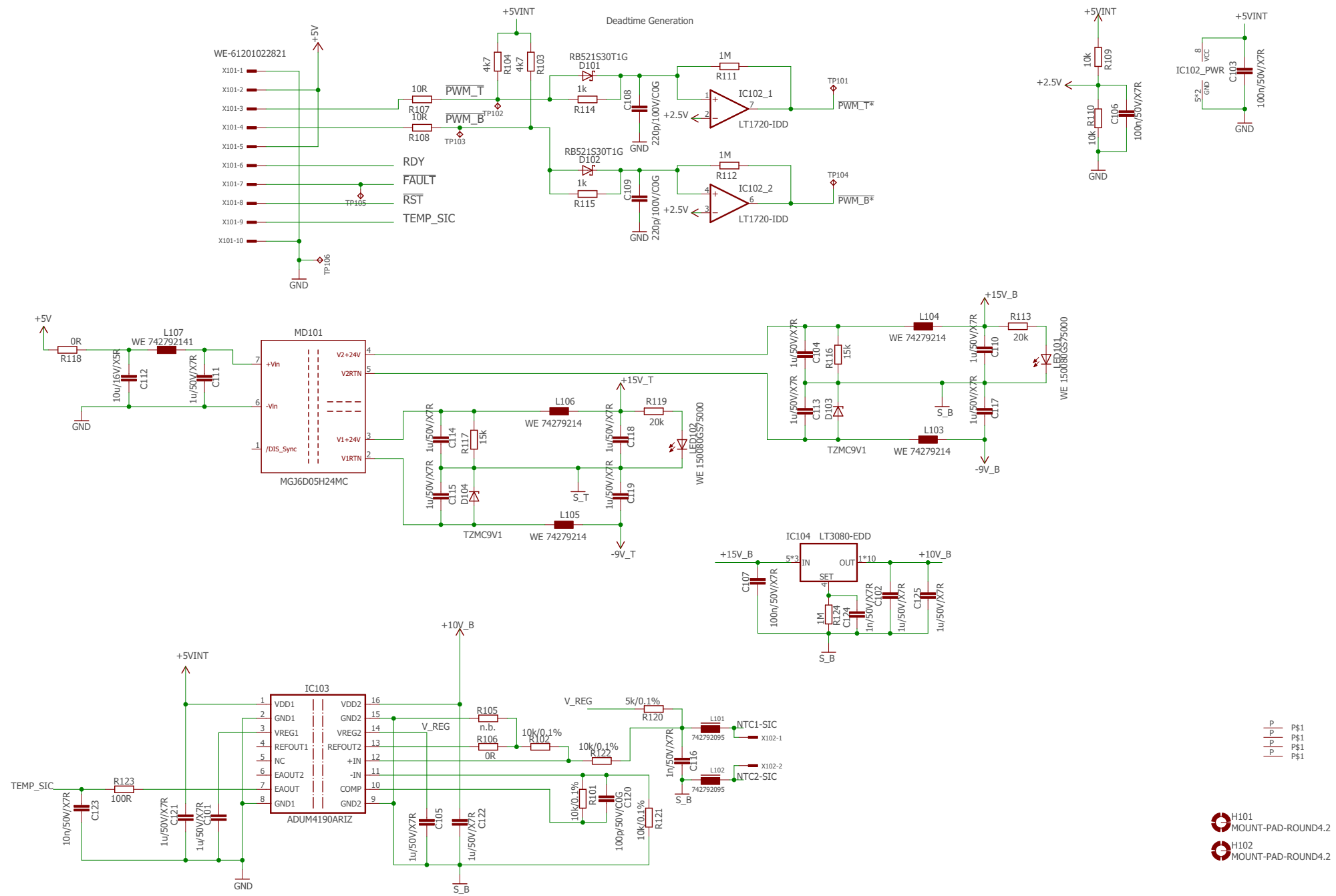


This document contains confidential information of Stercom GmbH. It is intended for internal use only. Any disclosure, distribution, or reproduction of this document without the prior written consent of Stercom GmbH is strictly prohibited.

This document contains confidential information of Stercom GmbH. It is intended for internal use only. Any disclosure, distribution, or reproduction of this document without the prior written consent of Stercom GmbH is strictly prohibited.



- P P\$1
- P P\$1
- P P\$1
- P P\$1

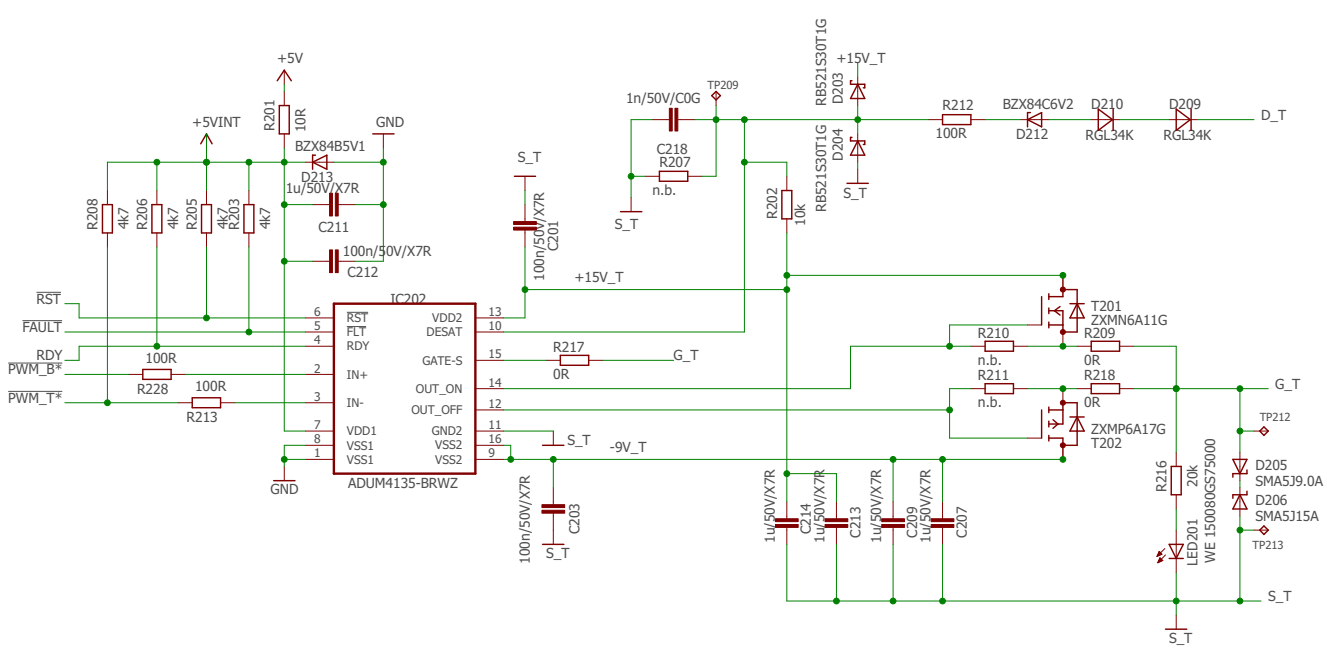
- H101 MOUNT-PAD-ROUND4.2
- H102 MOUNT-PAD-ROUND4.2

REVISION NUM.	DATE	OWNER	STATUS
-1	09.01.2018	M. Kutschker	APVD.

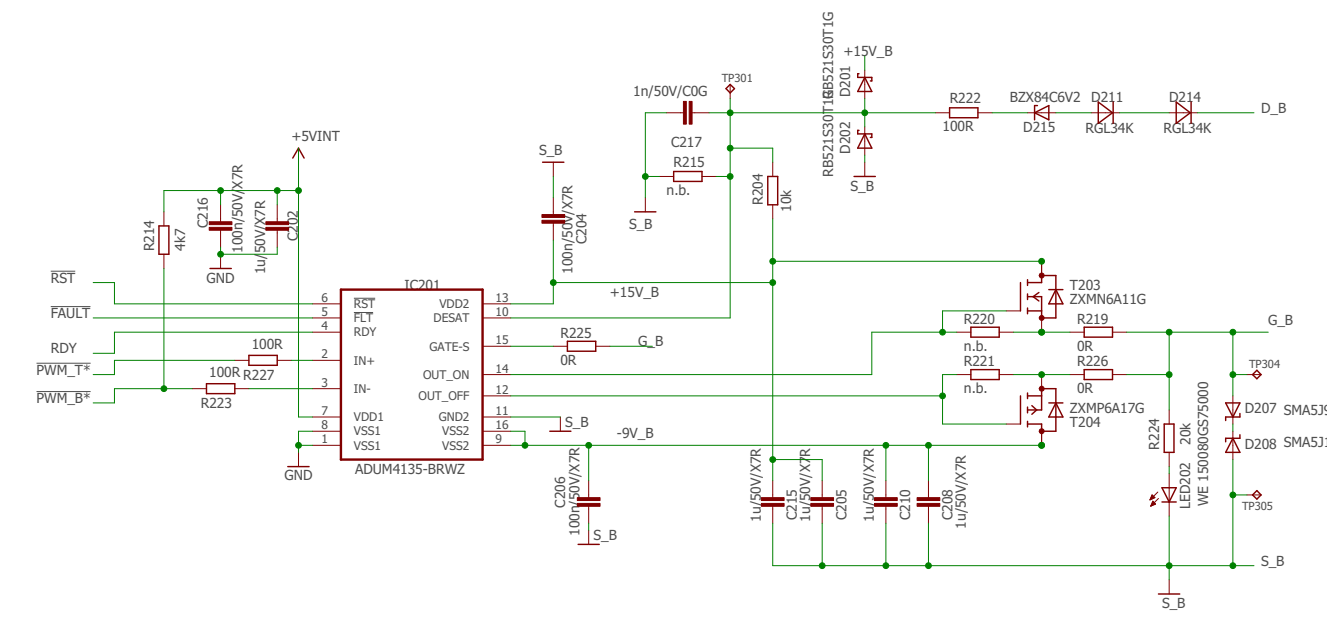
DATE 09.01.2018 17:42
 ENGR. M. Kutschker
 SiC Half Bridge Driver ADI SC17014
 IFX FF23MR12W Cool SiC

This document is the property of Stercom GmbH. It is intended for internal use only. Any reproduction or distribution of this document without the written permission of Stercom GmbH is strictly prohibited.

This document is the property of Stercom GmbH. It is intended for internal use only. Any reproduction or distribution of this document without the written permission of Stercom GmbH is strictly prohibited.



- A-42404-06-A1
- D_T
 - X201-1
 - X201-2
 - X201-3
 - G_T
 - X201-4
 - X201-5
 - S_T
 - X201-6



- A-42404-10-A1
- D_B
 - X202-1
 - X202-2
 - X202-3
 - X202-4
 - G_B
 - X202-5
 - X202-6
 - S_B
 - X202-7
 - NTC1-SIC
 - X202-8
 - +10V_B
 - X202-9
 - NTC2-SIC
 - X202-10

			DATE	09.01.2018 17:42
			ENGR.	M. Kutschker
-1	09.01.2018	M. Kutschker	APVD.	
REVISION NUM.	DATE	OWNER	STATUS	

Sic Half Bridge Driver ADI SC17014
IFX FF23MR12W Cool Sic