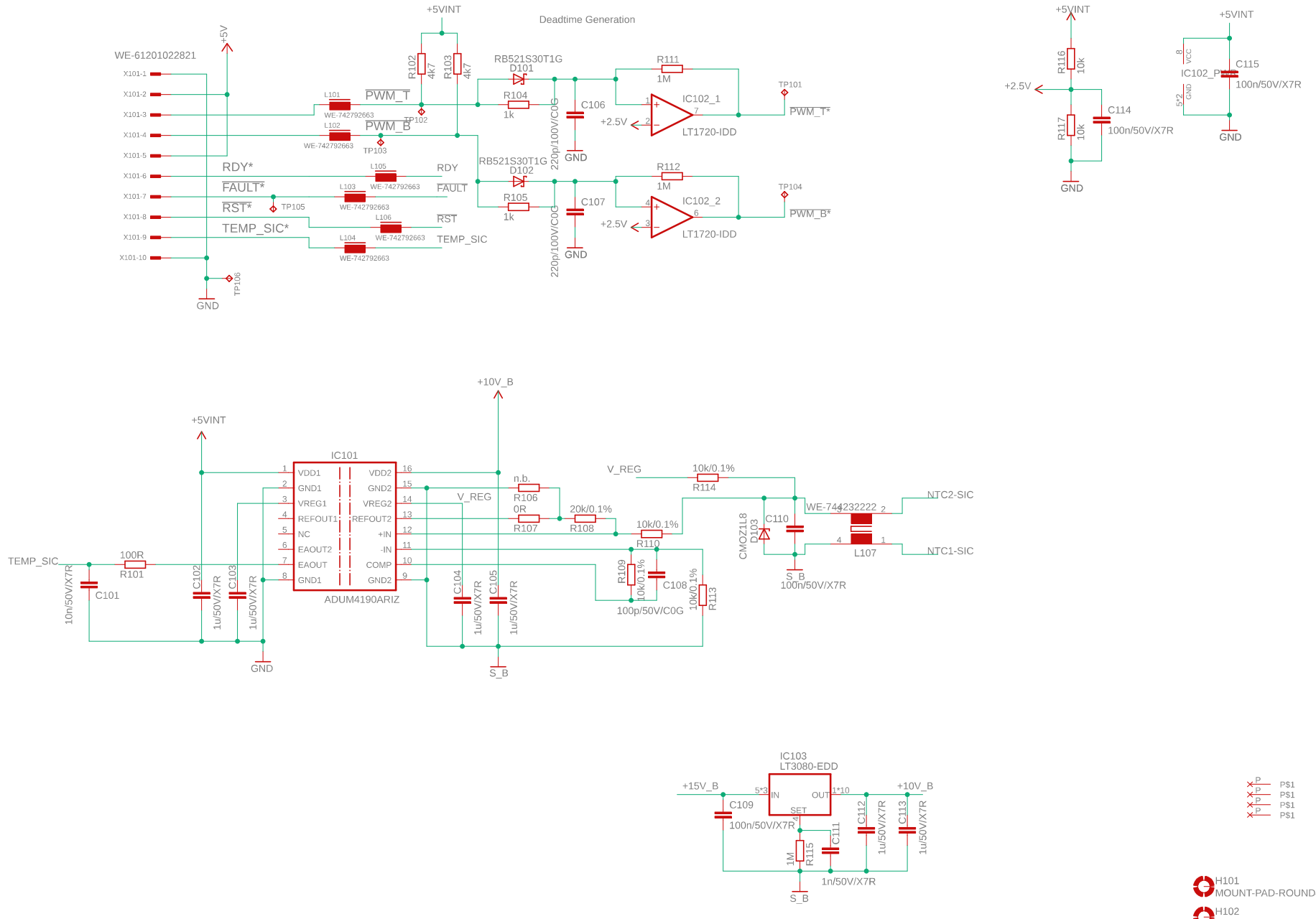


Copyright © 2018 Stercom GmbH. All rights reserved. This document is the property of Stercom GmbH. No part of this document may be reproduced, stored in a retrieval system, or transmitted, in any form or by any means, without the prior written permission of Stercom GmbH.

This document is the property of Stercom GmbH. No part of this document may be reproduced, stored in a retrieval system, or transmitted, in any form or by any means, without the prior written permission of Stercom GmbH.

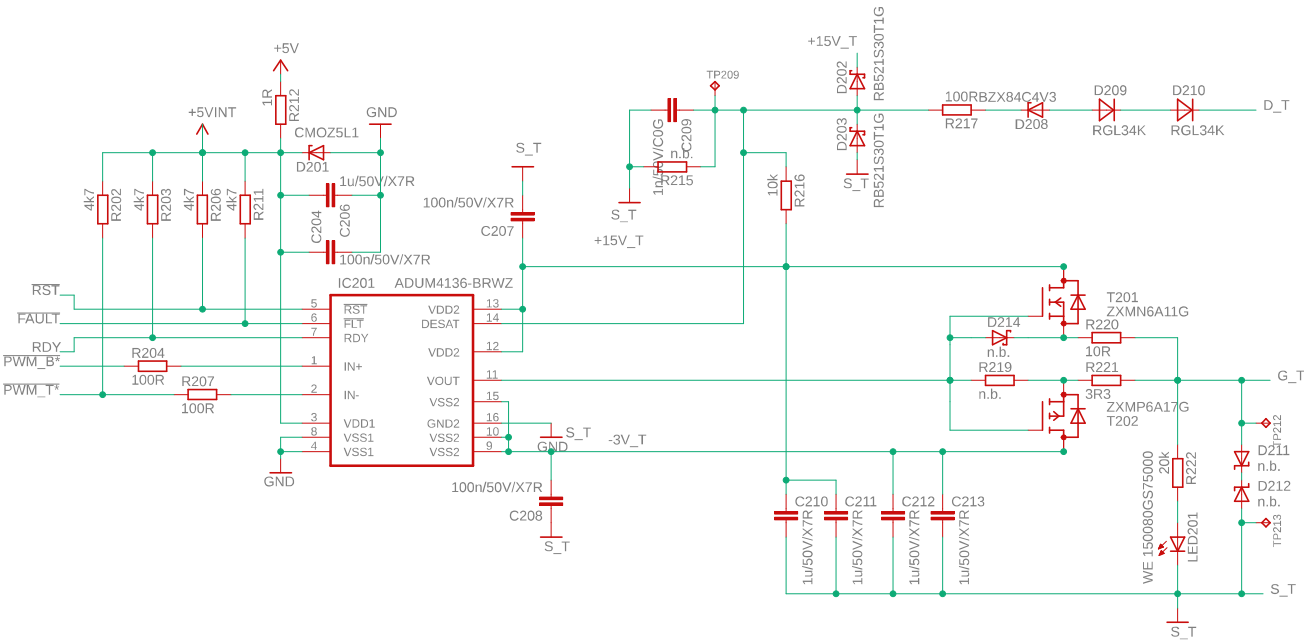
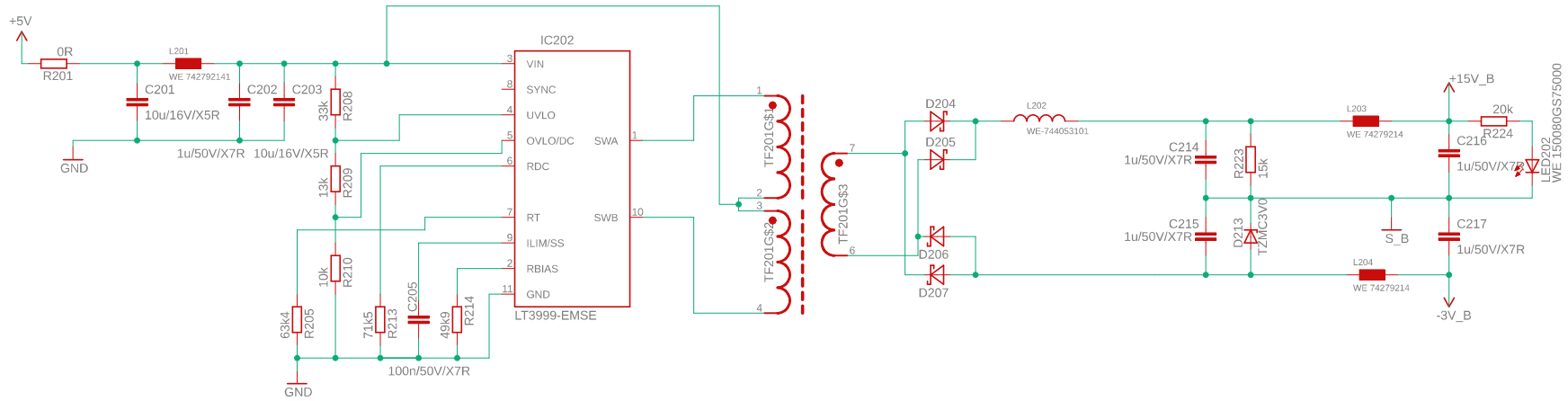


- X P PS1
- X P PS1
- X P PS1

- H101 MOUNT-PAD-ROUND4.2
- H102 MOUNT-PAD-ROUND4.2

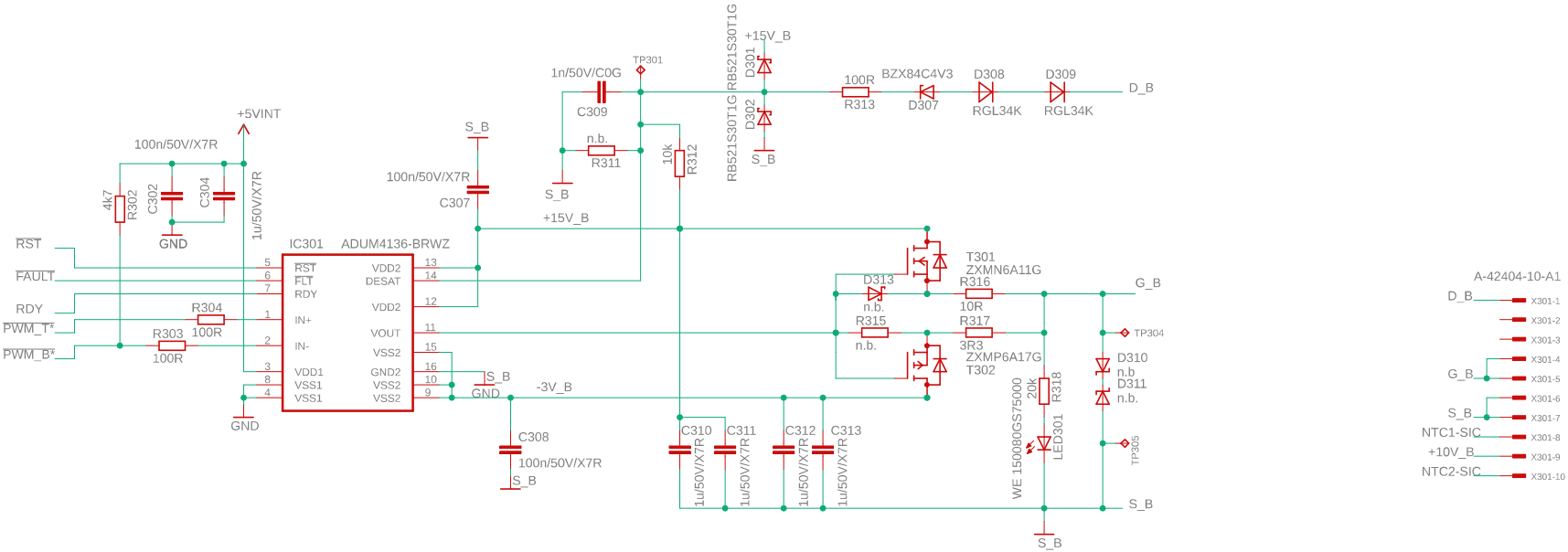
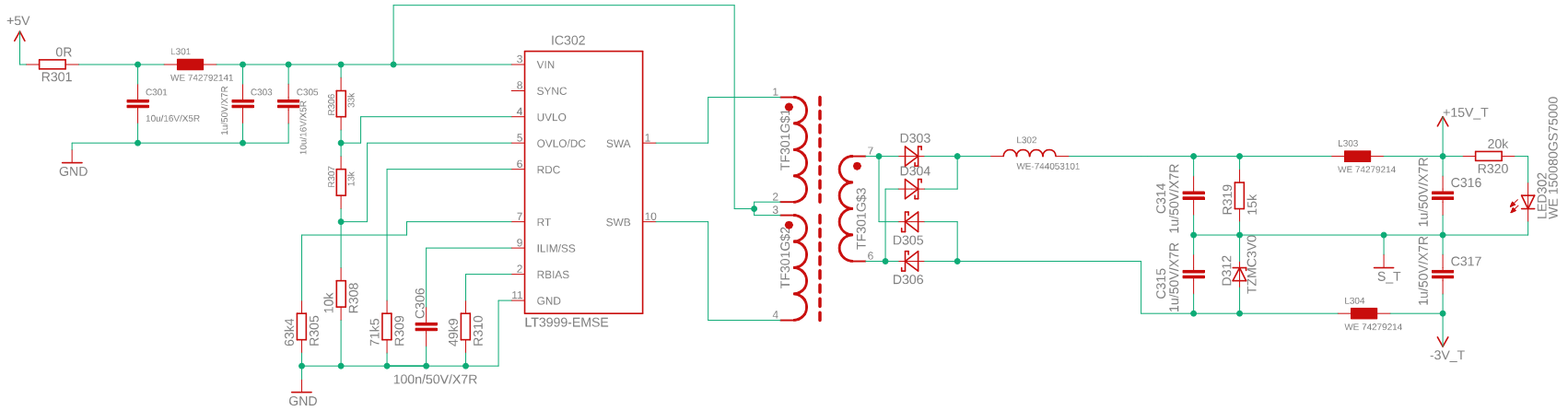
DATE	26.11.2018 10:50
ENGR.	M. Kutschker
APVD.	
STATUS	

SiC Half Bridge Driver ADI SC18025  
IFX FF23MR12W Cool SiC



REVISION NUM.	DATE	OWNER	DATE	26.11.2018 10:50
-1	26.09.2018	M. Kutschker	ENGR.	M. Kutschker
			APVD.	
			STATUS	

SiC Half Bridge Driver ADI SC18025  
IFX FF23MR12W Cool SiC



Copyright © 2018, Analog Devices, Inc. All rights reserved. This document is the property of Analog Devices, Inc. and is intended for use only in the design of products that incorporate Analog Devices, Inc. components.

Manufactured in Germany. Analog Devices, Inc. and its subsidiaries are not responsible for any damage to property or persons resulting from the use of the information contained herein.

			DATE	26.11.2018 10:50
			ENGR.	M. Kutschker
-1	26.09.2018	M. Kutschker	APVD.	
REVISION NUM.	DATE	OWNER	STATUS	

SiC Half Bridge Driver ADI SC18025  
IFX FF23MR12W Cool SiC