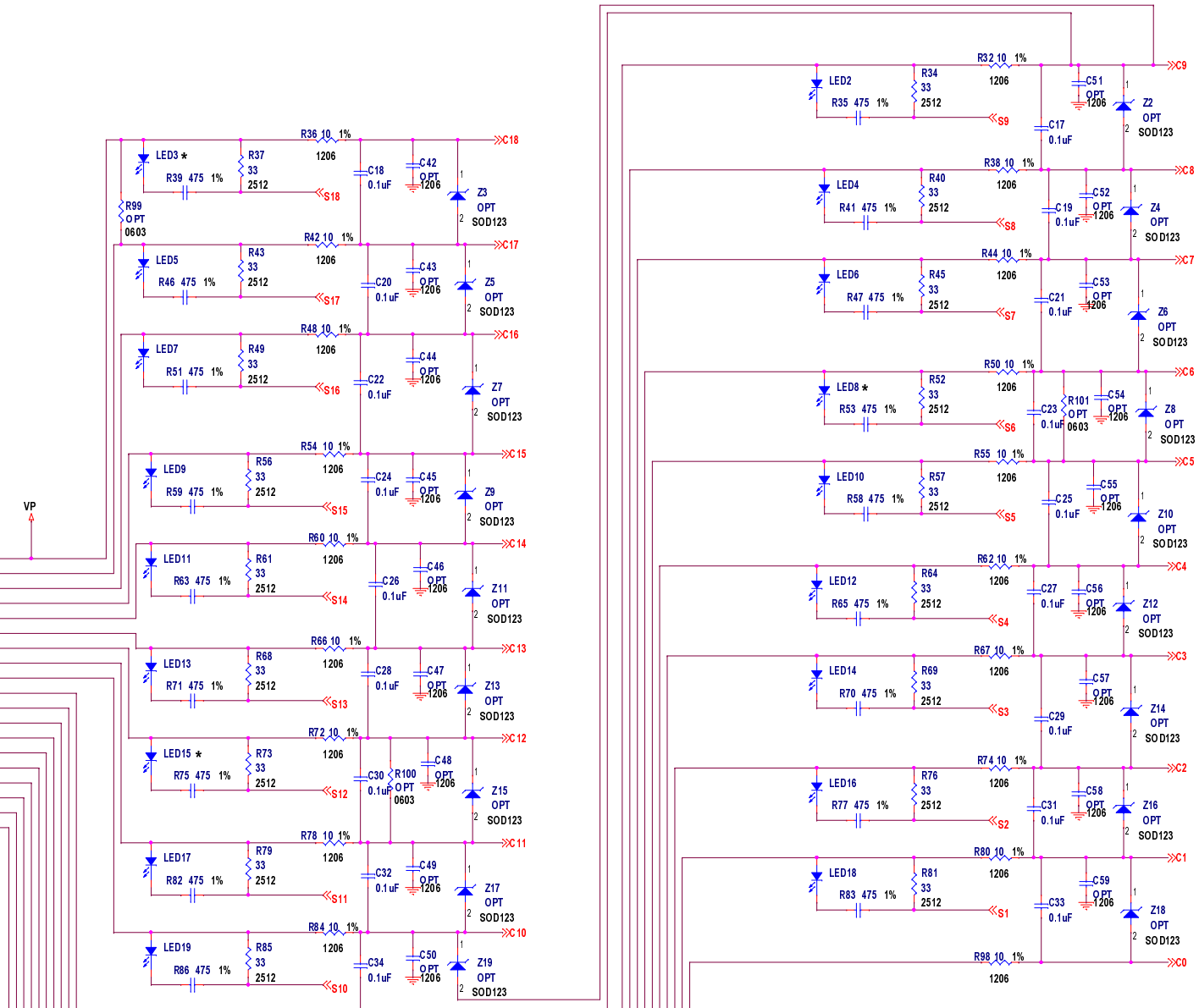


NOTES: UNLESS OTHERWISE SPECIFIED,
 1. ALL CAPACITORS AND RESISTORS ARE 0603.

CUSTOMER NOTICE		APPROVALS	
PCB DES:		TITLE:	SCHEMATIC
APP. ENG:		isoSPI MULTI CELL BATTERY-STACK MONITOR	
SIZE:	N/A	IC NO.:	ADBMS1818
SCALE:	NONE	DATE:	Thursday, November 26, 2020
		SHEET:	1 OF 2

CELL VOLTAGES
112V MAX



CUSTOMER NOTICE		APPROVALS	
PCB DES:			
APPEND:		TITLE: SCHEMATIC	
		isoSPI MULTI CELL BATTERY STACK MONITOR	
SCALE: NONE		SIZE: N/A	IC NO.: ADAMS1818
		DATE: Thursday, November 26, 2020	REV: 0
			EVAL-ADBS1818
			SHEET 2 OF 2