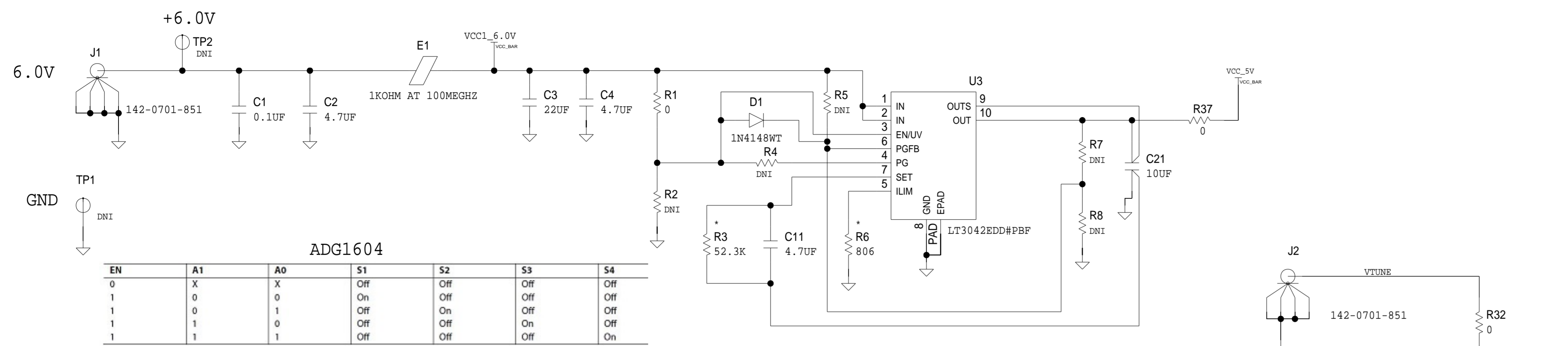
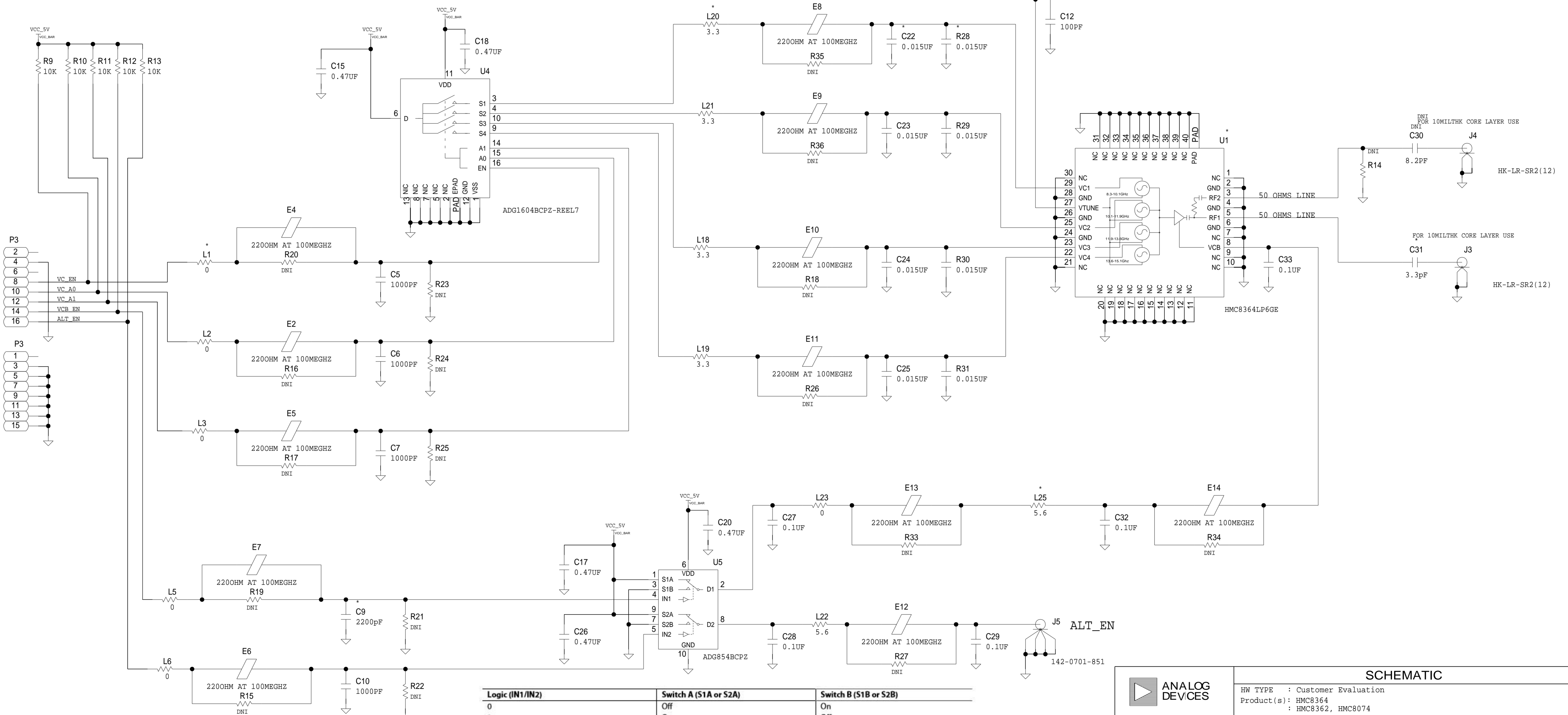


REVISIONS			
REV	DESCRIPTION	DATE	APPROVED



ADG1604

EN	A1	A0	S1	S2	S3	S4
0	X	X	Off	Off	Off	Off
1	0	0	On	Off	Off	Off
1	0	1	Off	On	Off	Off
1	1	0	Off	Off	On	Off
1	1	1	Off	Off	Off	On



Logic (IN1/IN2)	Switch A (S1A or S2A)	Switch B (S1B or S2B)
0	Off	Off
1	On	Off

ADG854

SCHEMATIC

HW TYPE : Customer Evaluation
Product(s) : HMC8364
: HMC8362, HMC8074

DESIGN VIEW <DESIGN_VIEW>	DRAWING NO. 02_064075-03	REV A
PTD ENGINEER <PTD_ENGINEER>	SIZE D	SCALE 1:1
		SHEET 2 OF 2

D
C
B
A

D
C
B
A

8 7 6 5 4 3 2 1