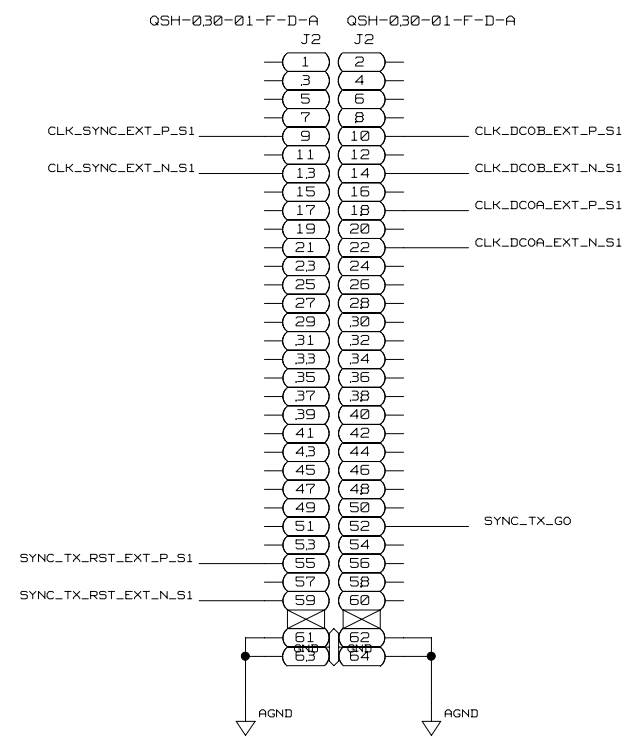


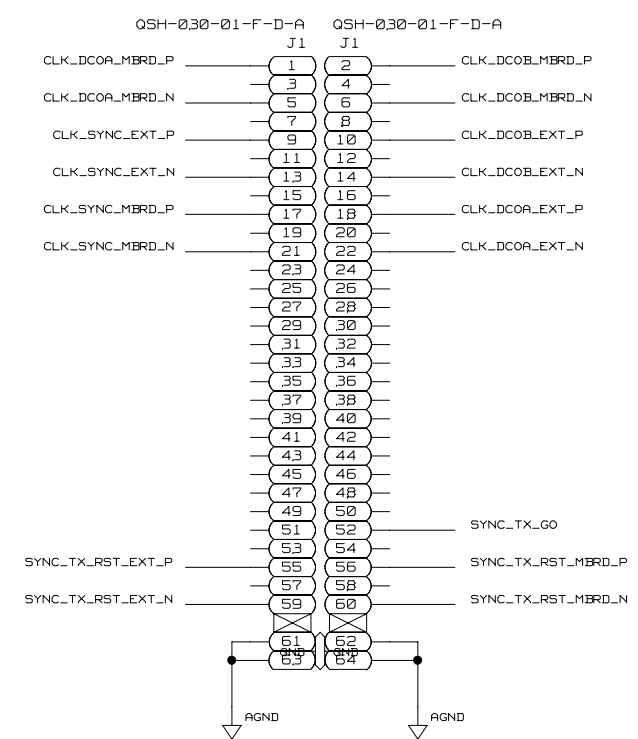


REVISIONS			
REV	DESCRIPTION	DATE	APPROVED

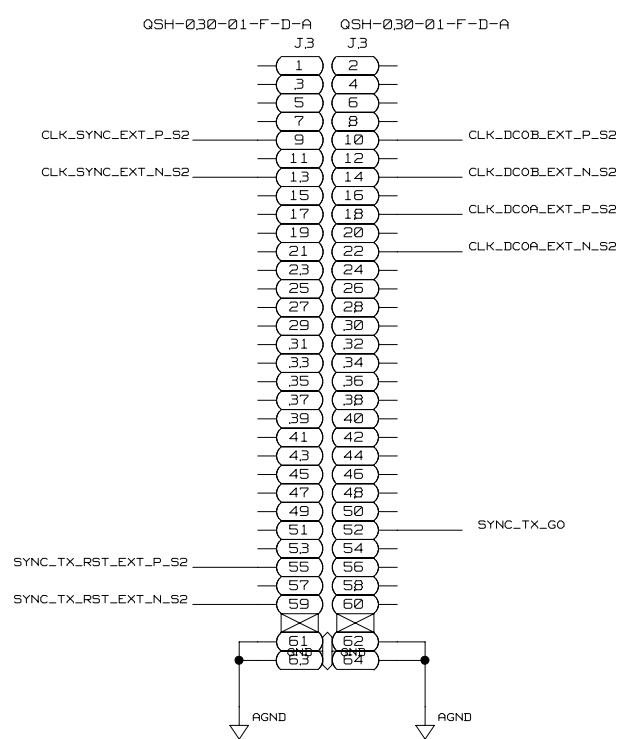
TO SLAVE DPG 1



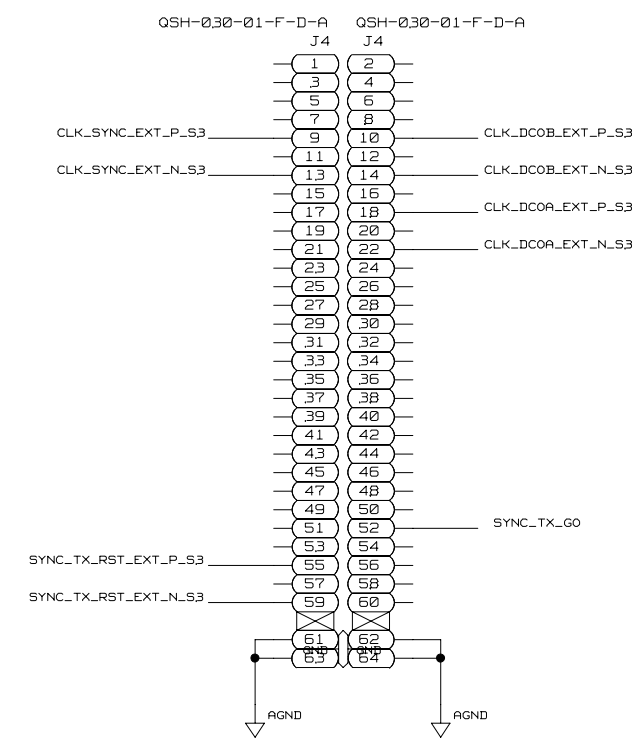
FROM AND TO MASTER DPG



TO SLAVE DPG 2

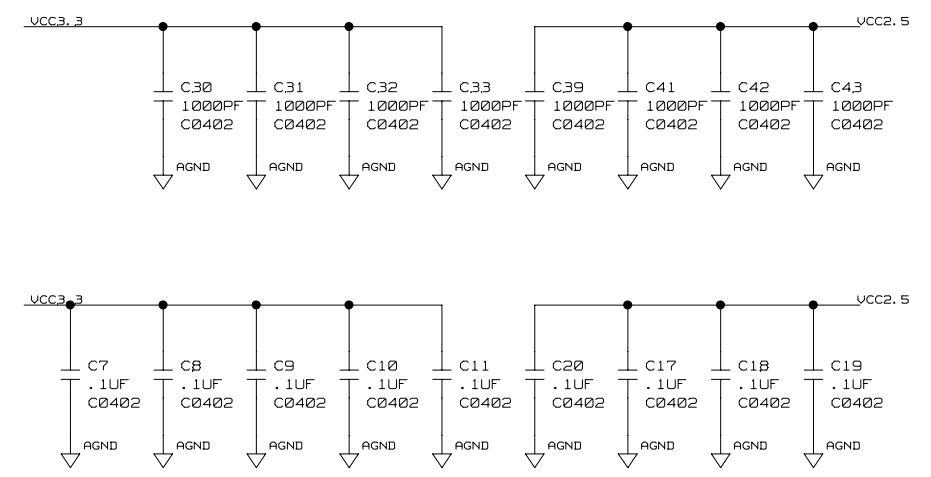
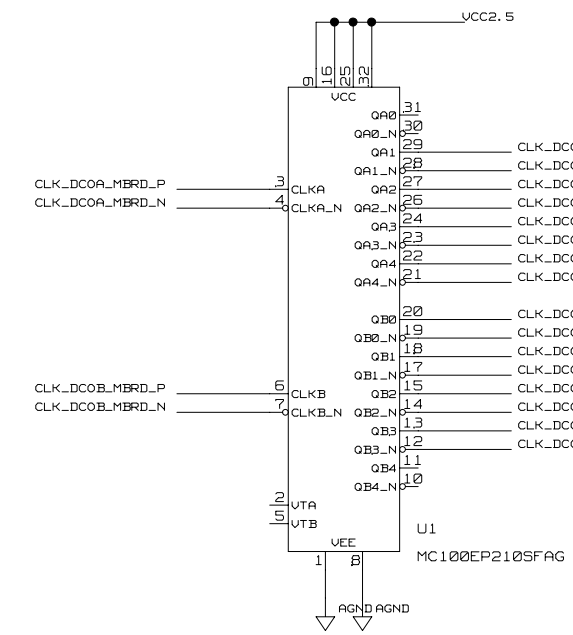
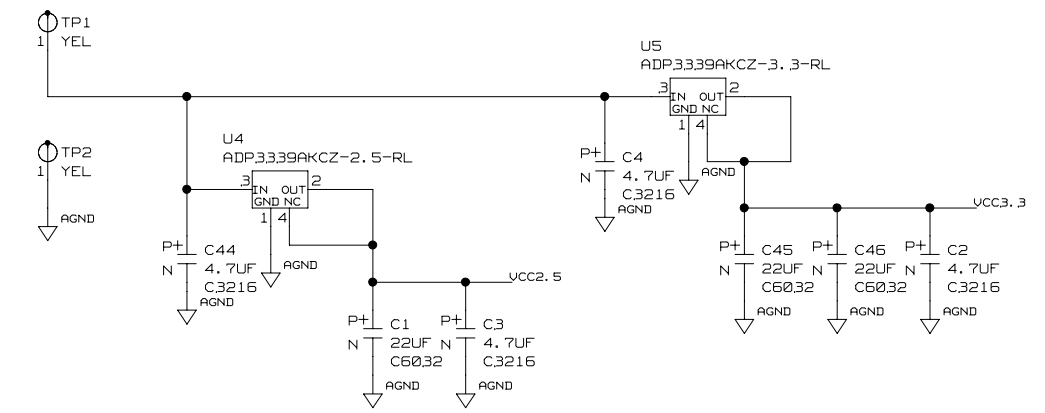
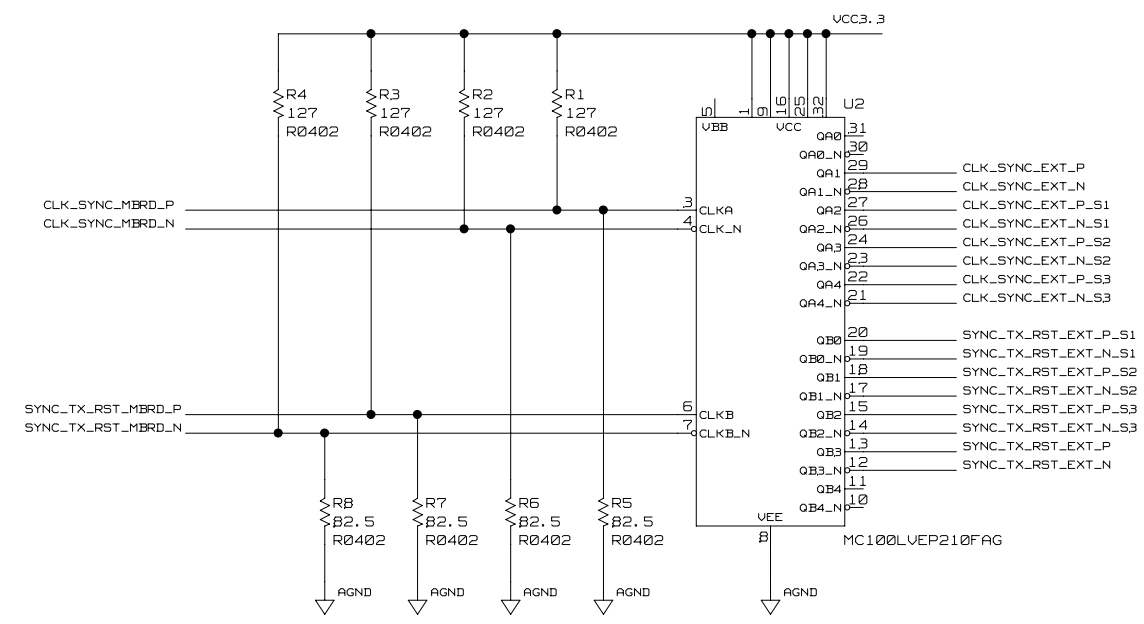


TO SLAVE DPG 3



<p>THIS DRAWING IS THE PROPERTY OF ANALOG DEVICES INC. IT IS NOT TO BE REPRODUCED OR COPIED, IN WHOLE OR IN PART, OR USED IN FURNISHING INFORMATION TO OTHERS, OR FOR ANY OTHER PURPOSE DETRIMENTAL TO THE INTERESTS OF ANALOG DEVICES. THE EQUIPMENT DESIGN HEREON MAY BE PROTECTED BY PATENTS OWNED OR CONTROLLED BY ANALOG DEVICES.</p>	SCHEMATIC		
	DRG CLOCK DIST CARD		
	<PRODUCT_1>		
	DESIGN VIEW <DESIGN_VIEW>	DRAWING NO. 02-013181	REV A
PTD ENGINEER <PTD_ENGINEER>	SIZE D	SCALE -	SHEET 2 OF 3

REVISIONS			
REV	DESCRIPTION	DATE	APPROVED



	SCHEMATIC		
	DRG CLOCK DIST CARD		
	<PRODUCT_1>		
	DESIGN VIEW <DESIGN_VIEW>	DRAWING NO. 02-013181	REV A
PTD ENGINEER <PTD_ENGINEER>	SIZE D	SCALE -	SHEET 3 OF 3