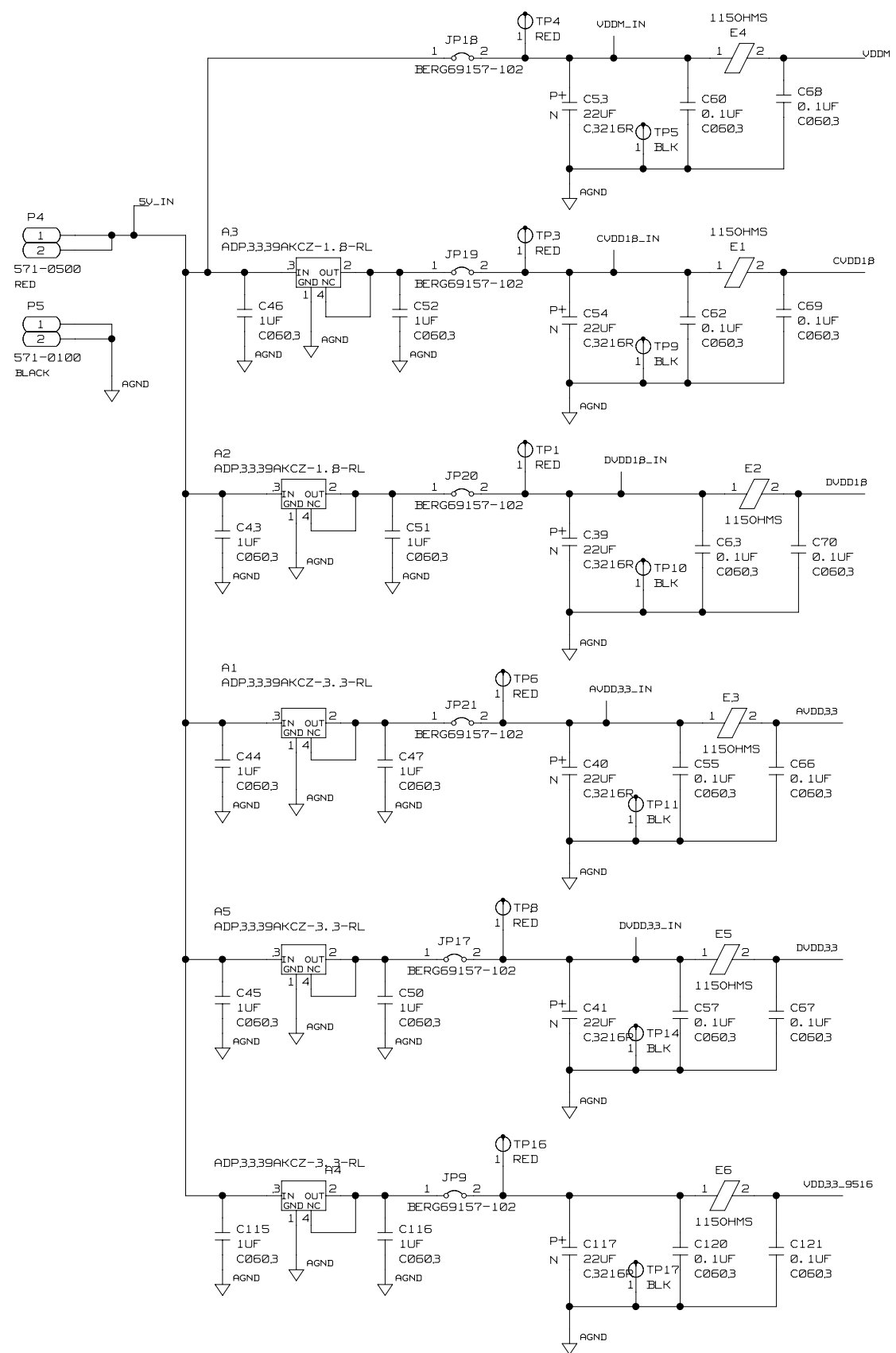
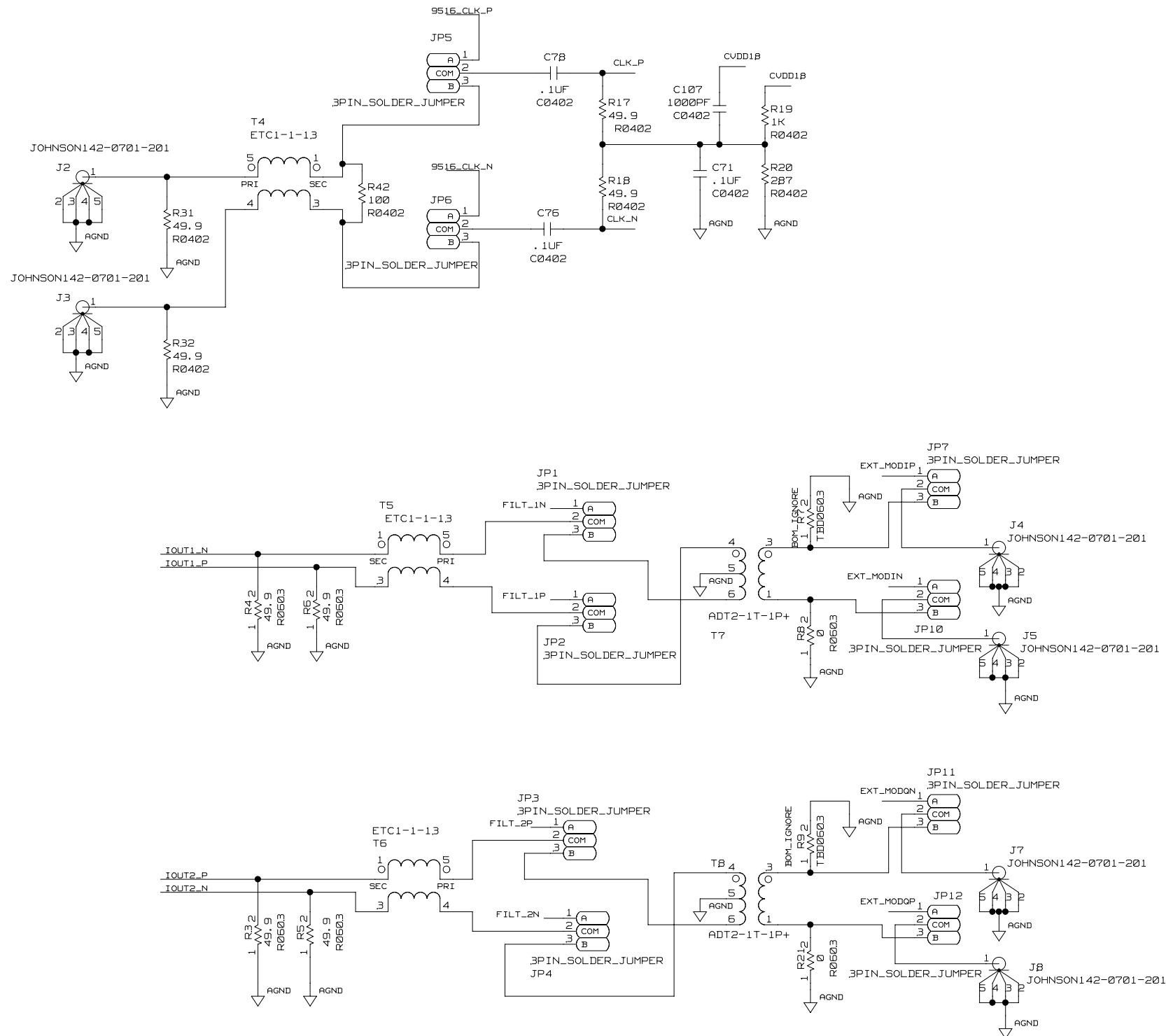


REVISIONS			
REV	DESCRIPTION	DATE	APPROVED



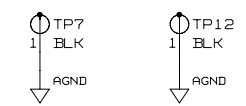
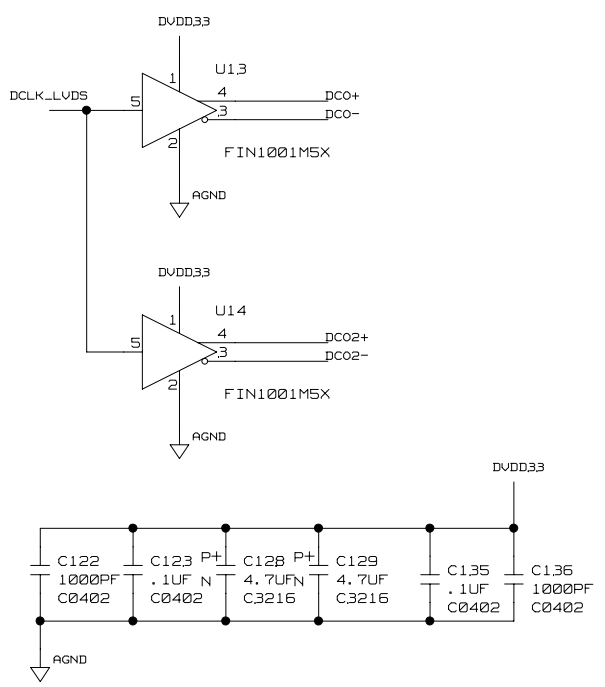
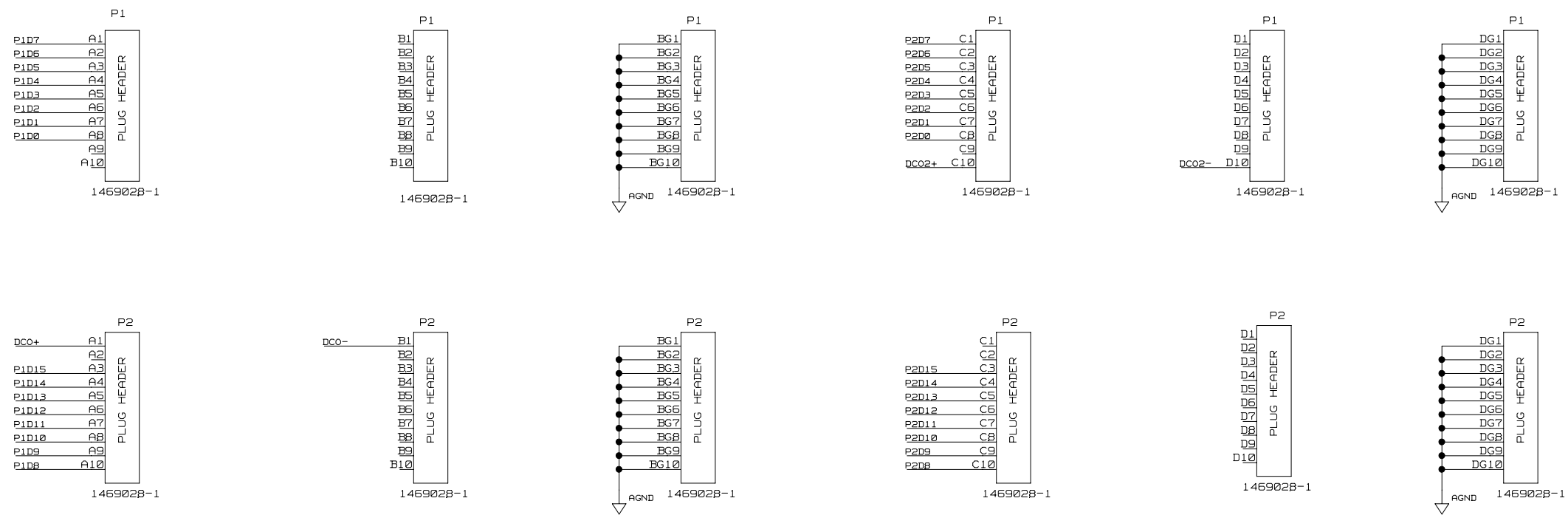
	SCHEMATIC		
	AD9788B - AD9779A EVALUATION BOARD		
DESIGN VIEW		DRAWING NO.	REV
<DESIGN_VIEW>		02-013073	D
PTD ENGINEER		SIZE	SCALE
<PTD_ENGINEER>		D	-
		SHEET 3 OF 8	

REVISIONS			
REV	DESCRIPTION	DATE	APPROVED



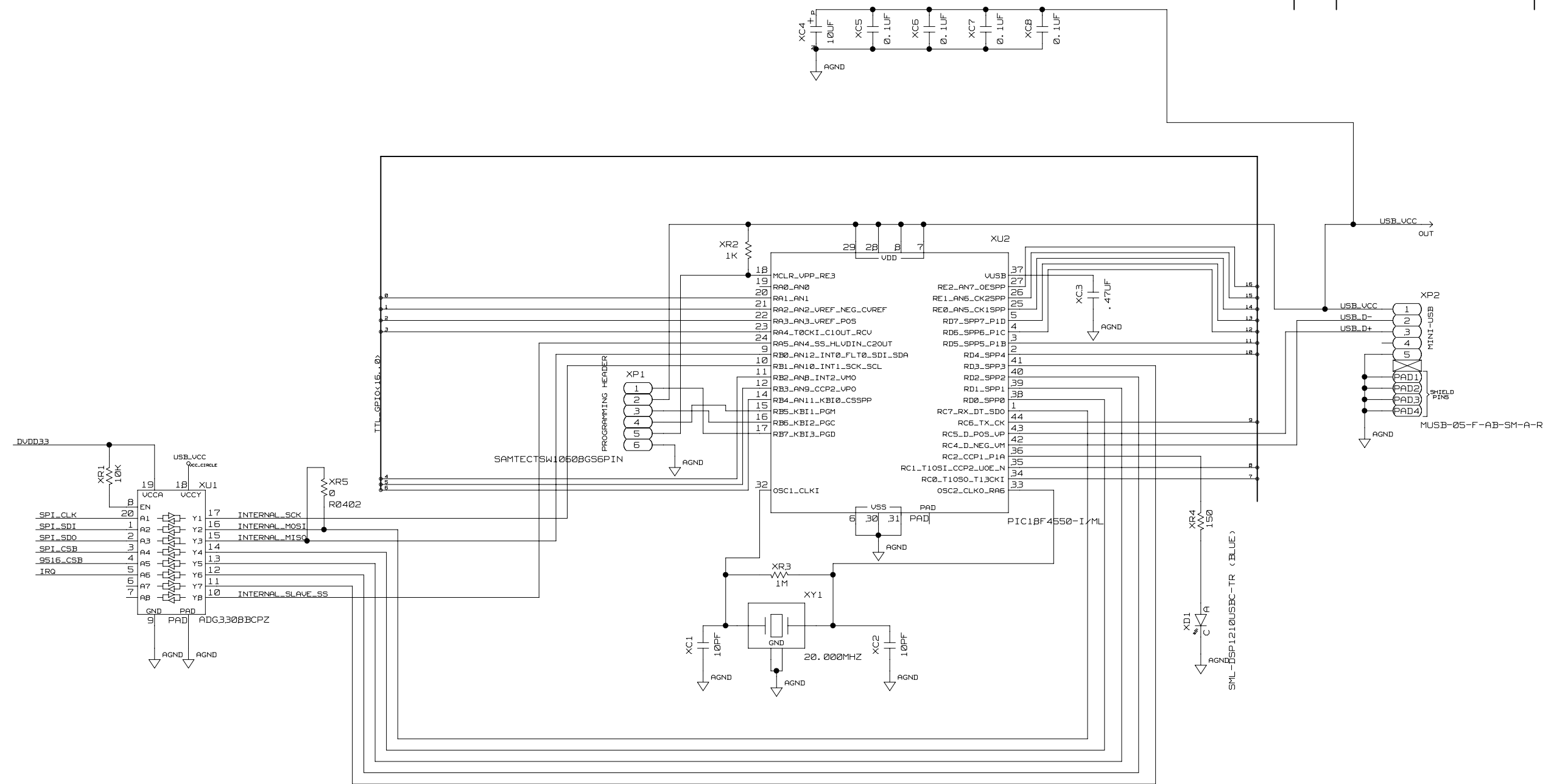
	SCHEMATIC		
	AD9788 - AD9779A EVALUATION BOARD		
DESIGN VIEW		DRAWING NO.	REV
<DESIGN_VIEW>		02-013073	D
PTD ENGINEER		SIZE	SCALE
<PTD_ENGINEER>		D	-
		SHEET 4	OF 8

REVISIONS			
REV	DESCRIPTION	DATE	APPROVED



	SCHEMATIC		
	AD9788 - AD9779A EVALUATION BOARD		
<small>THIS DRAWING IS THE PROPERTY OF ANALOG DEVICES INC. IT IS NOT TO BE REPRODUCED OR COPIED, IN WHOLE OR IN PART, OR USED IN FURNISHING INFORMATION TO OTHERS, OR FOR ANY OTHER PURPOSE DETRIMENTAL TO THE INTERESTS OF ANALOG DEVICES. THE QUALIFIED TRADE NAMES MAY BE PROTECTED BY PATENTS OWNED OR CONTROLLED BY ANALOG DEVICES.</small>	DESIGN VIEW <DESIGN_VIEW>	DRAWING NO. 02-013073	REV D
PTD ENGINEER <PTD_ENGINEER>	SIZE D	SCALE -	SHEET 5 OF 8

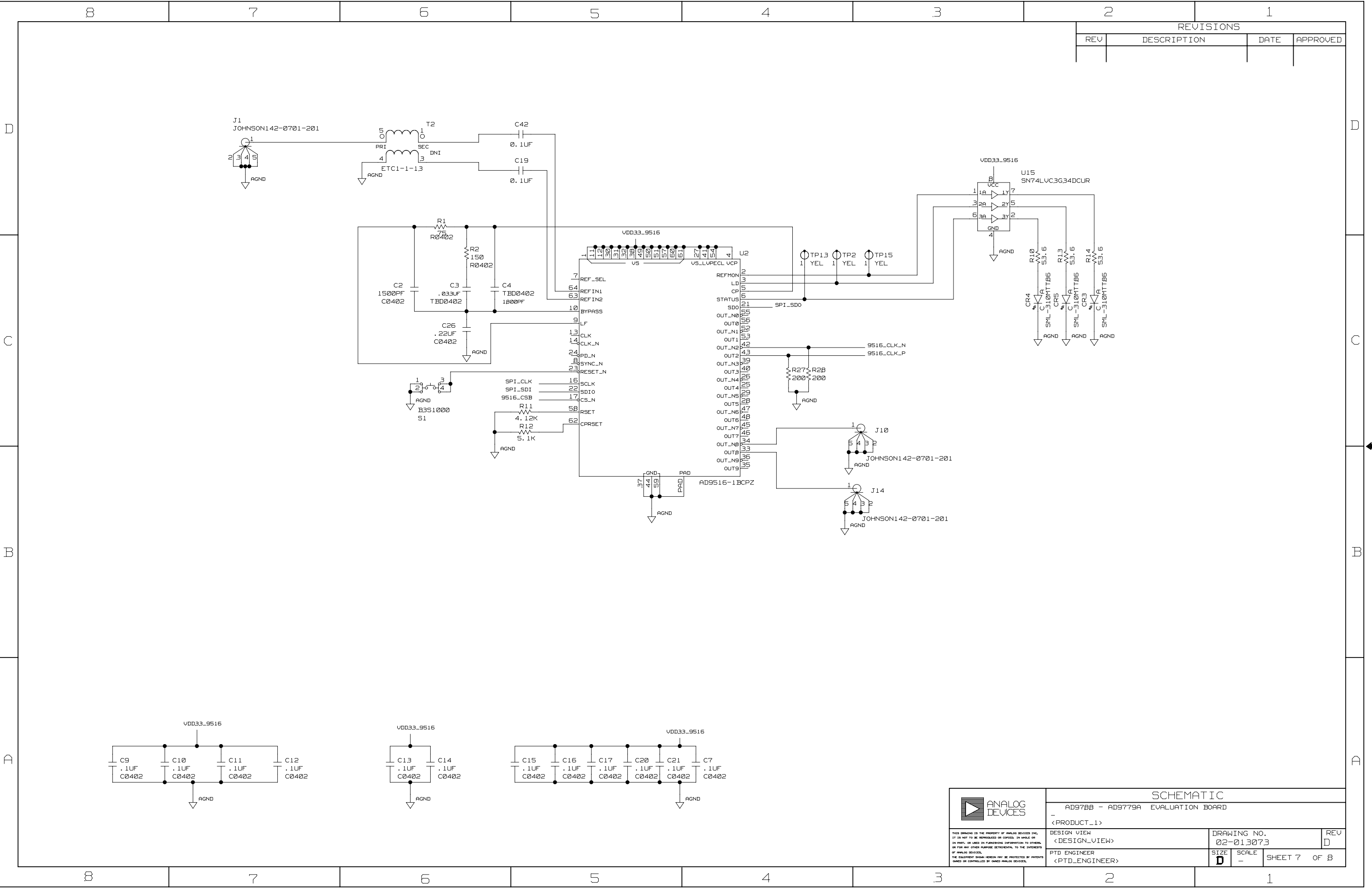
REVISIONS			
REV	DESCRIPTION	DATE	APPROVED



4-WIRE SPI VERSION

	SCHEMATIC		
	AD9788B - AD9779A EVALUATION BOARD		
<PRODUCT_1>			
DESIGN VIEW	DRAWING NO.		REV
<DESIGN_VIEW>	02-013073		D
PTD ENGINEER	SIZE	SCALE	SHEET 6 OF 8
<PTD_ENGINEER>	D	-	

REVISIONS			
REV	DESCRIPTION	DATE	APPROVED



		SCHEMATIC	
		AD9788 - AD9779A EVALUATION BOARD	
DESIGN VIEW		DRAWING NO.	REV
<DESIGN_VIEW>		02-013073	D
PTD ENGINEER		SIZE	SCALE
<PTD_ENGINEER>		D	-
		SHEET 7 OF 8	

