

4

3

2

1

D

D

C

C

B

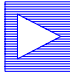
B

A

A



REVISIONS			
REV	DESCRIPTION	DATE	APPROVED
A	Source data from gigadacbga rev b.	0308.28	JRM

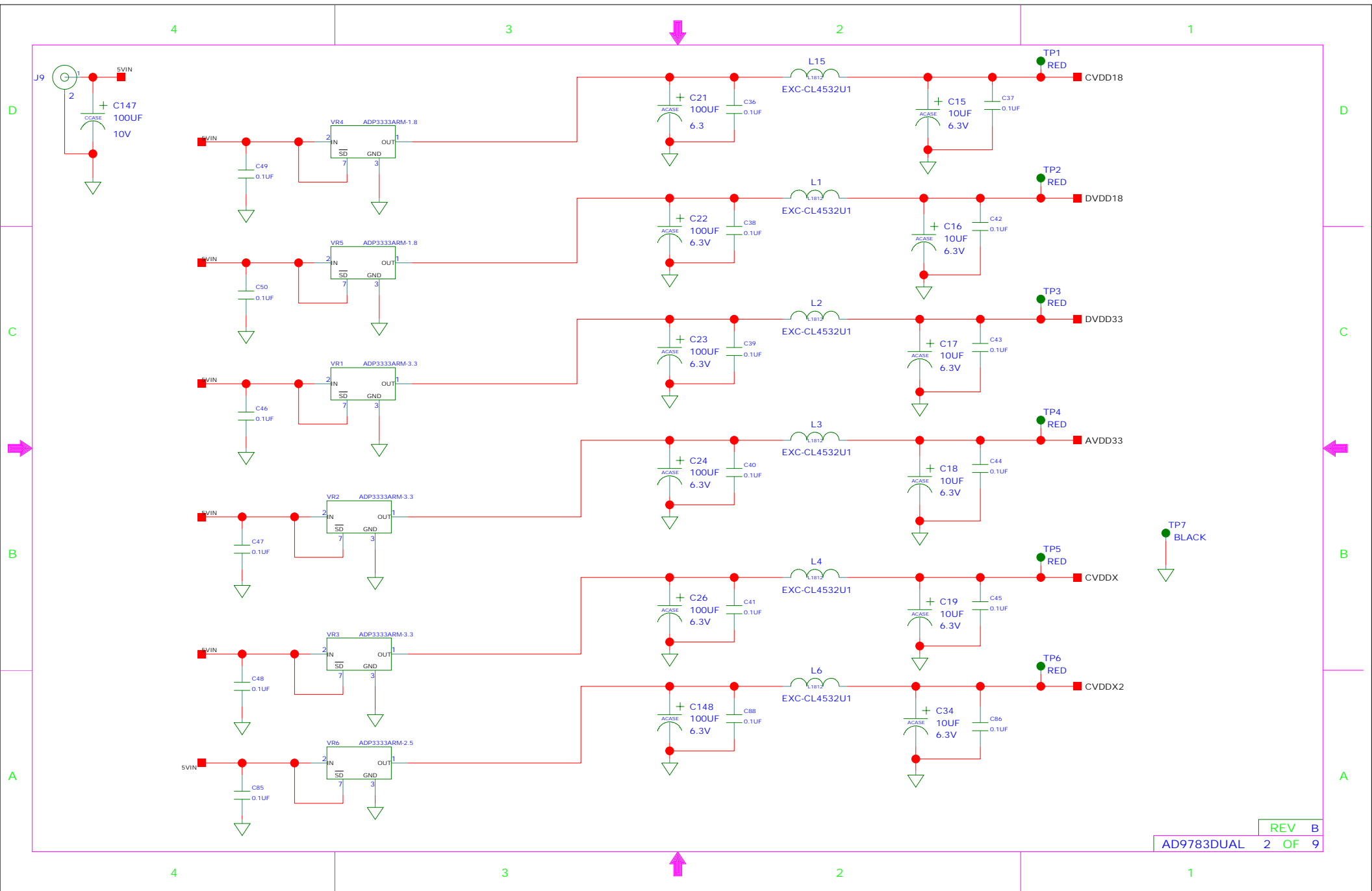
	WILMINGTON MANUFACTURING 804 WOBURN STREET WILMINGTON, MA 01887	SIZE	FSCM NO	DRAWING NUMBER	REV
		B		AD9783 DUAL BOARD FILE DATE= 0709.18	B
DRAWN BY: VERA T.	APPROVED BY: Zhang Yi	SCALE NONE	DO NOT SCALE	SHEET 1 OF 9	

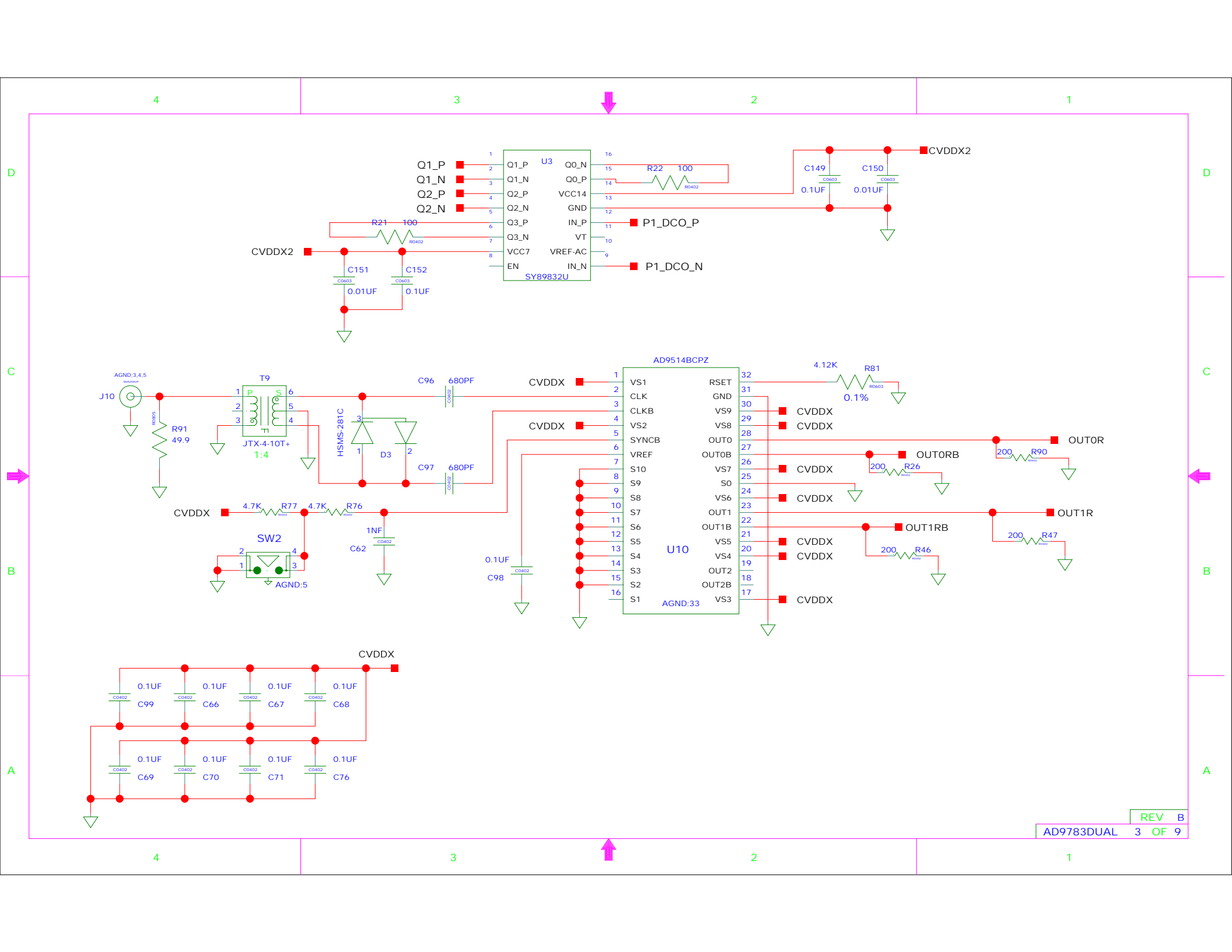
4

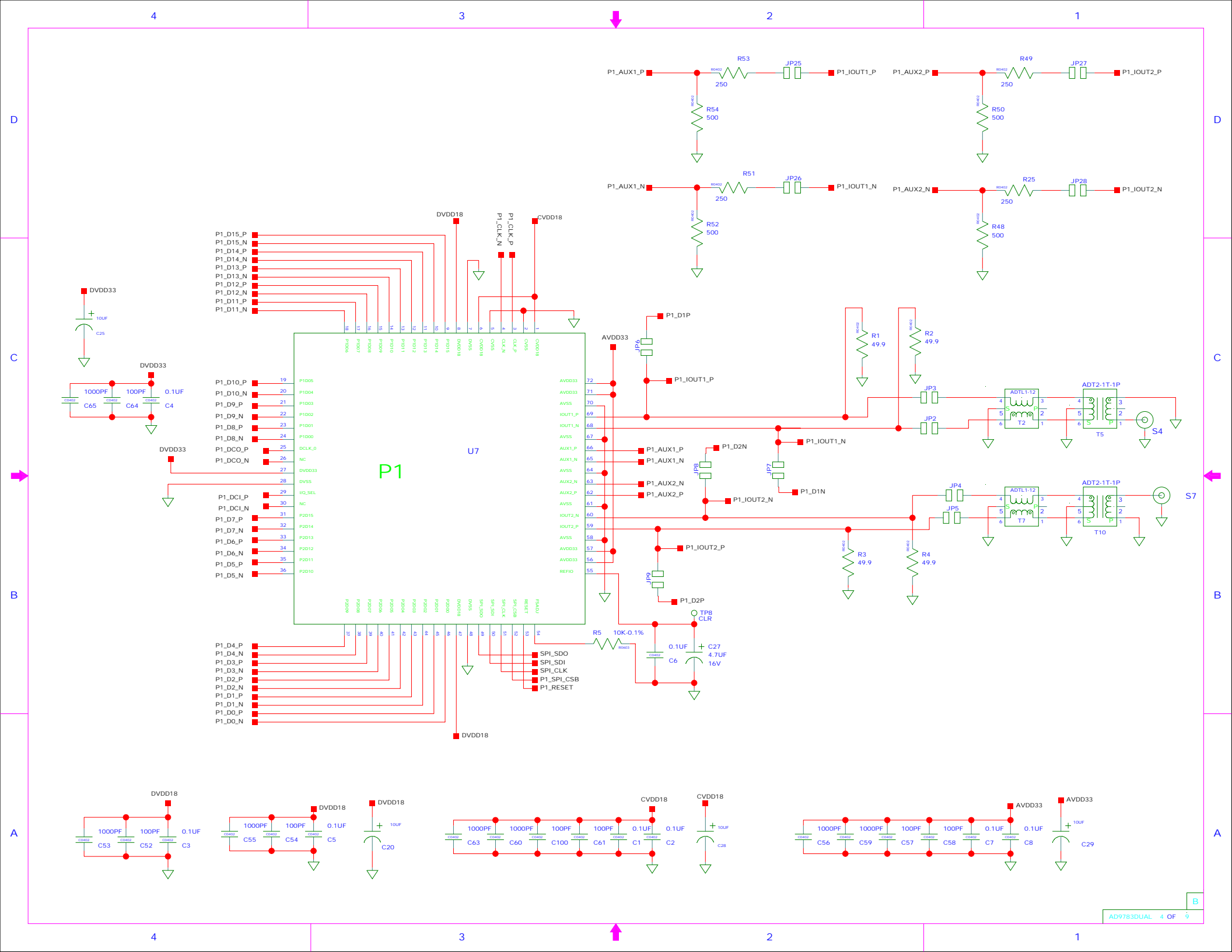
3

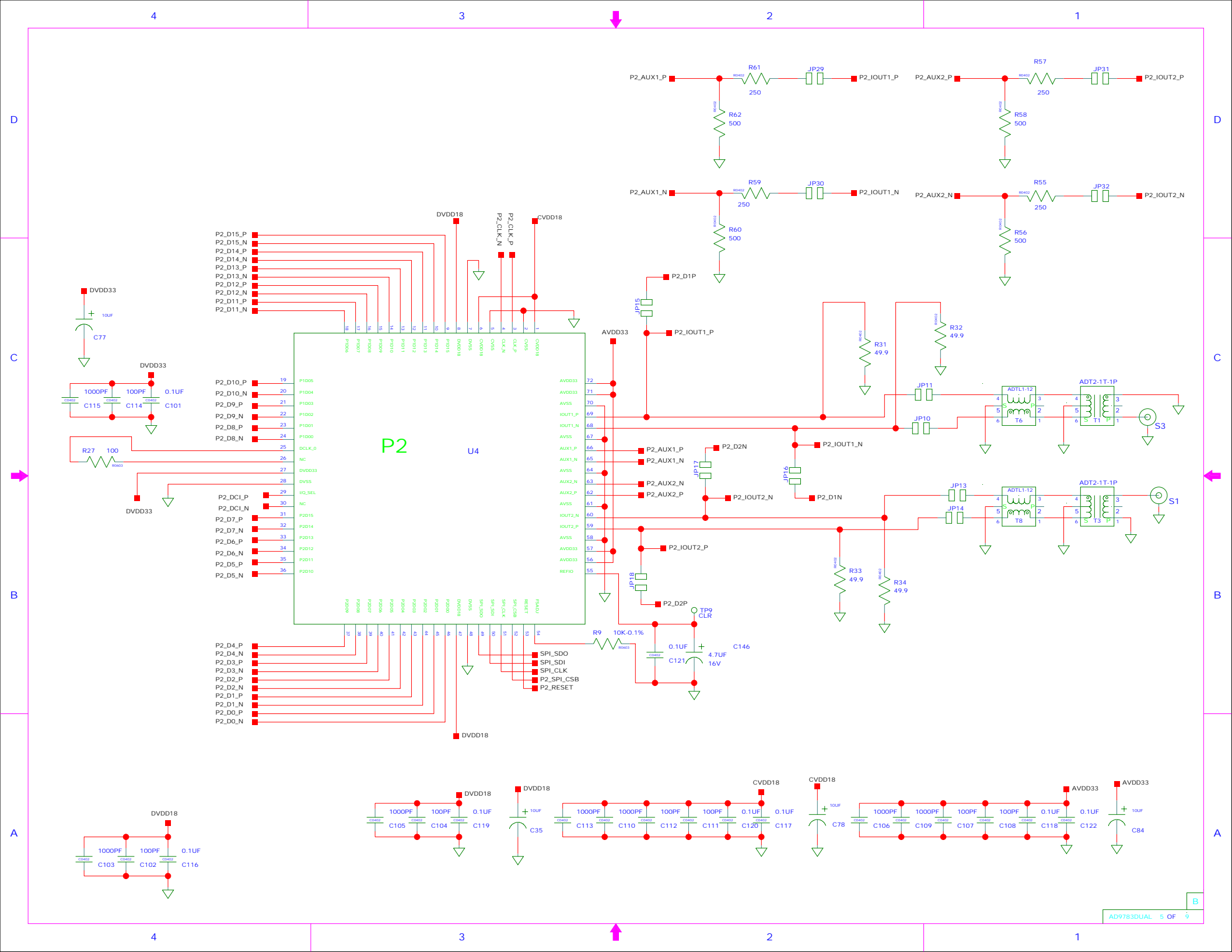
2

1









4

3

2

1

D

D

C

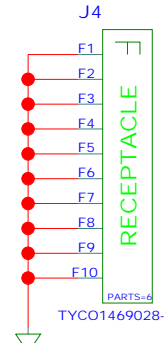
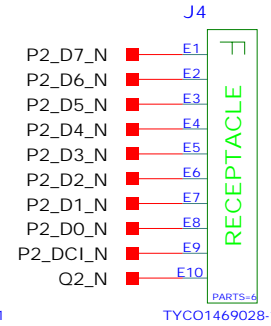
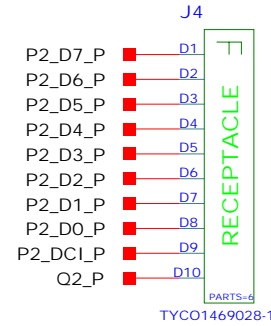
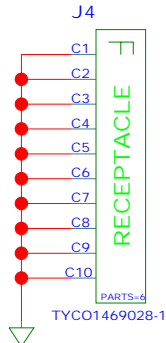
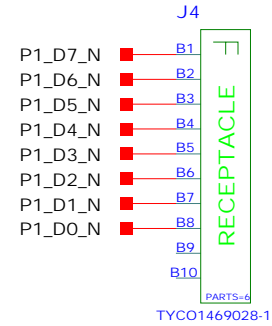
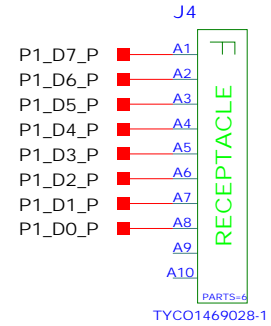
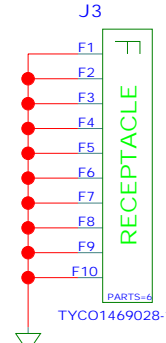
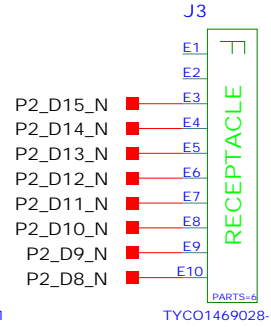
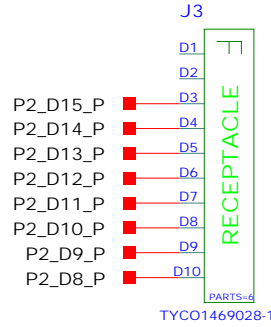
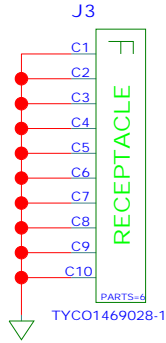
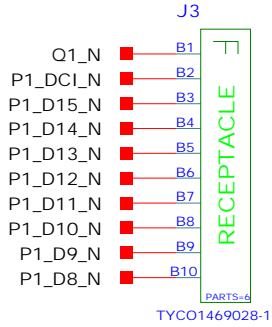
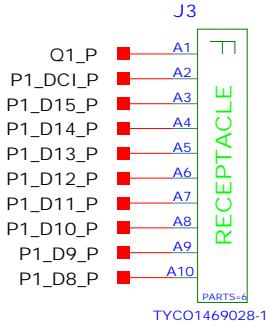
C

B

B

A

A



4

3

2

1

4

3

2

1

D

D

C

C

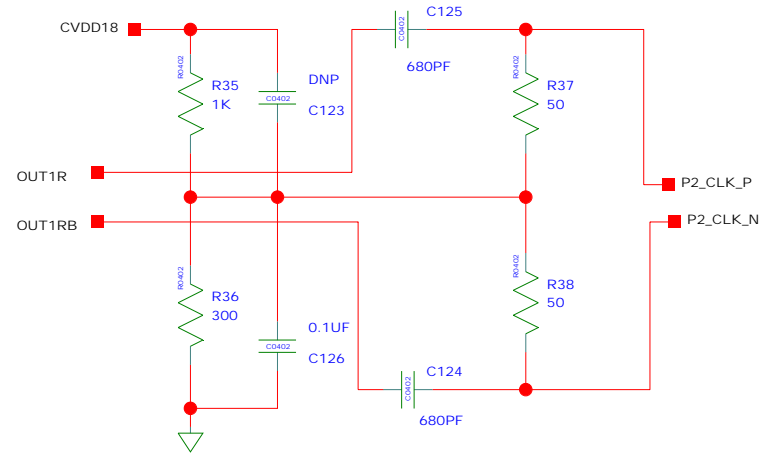
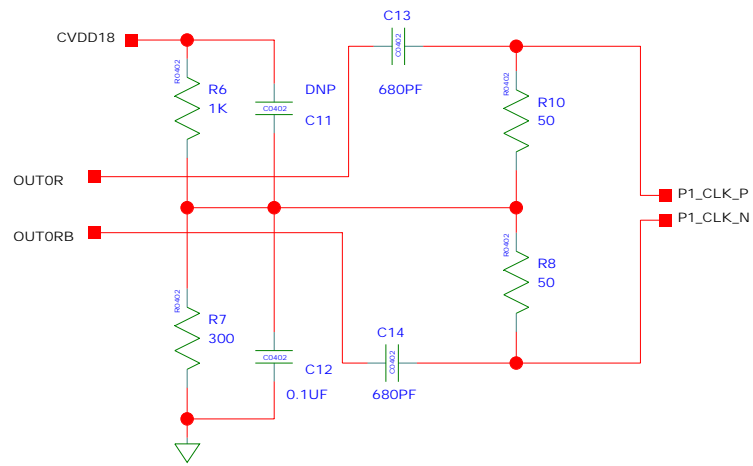
B

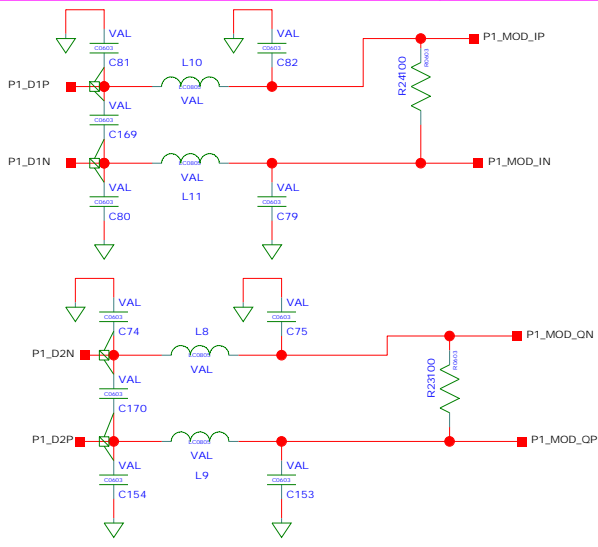
B

A

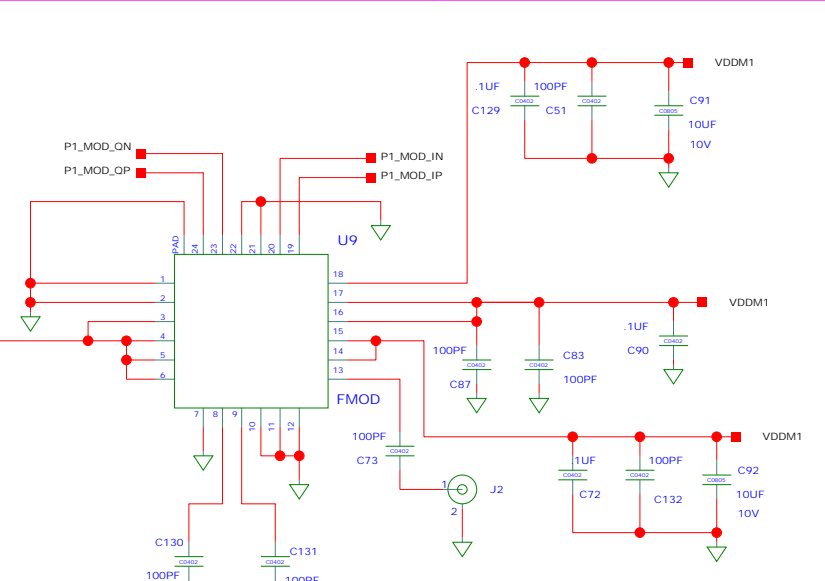
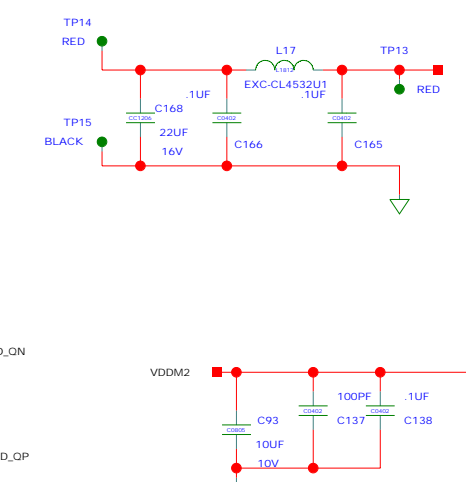
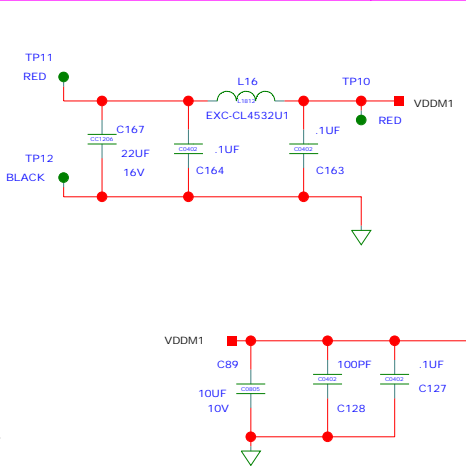
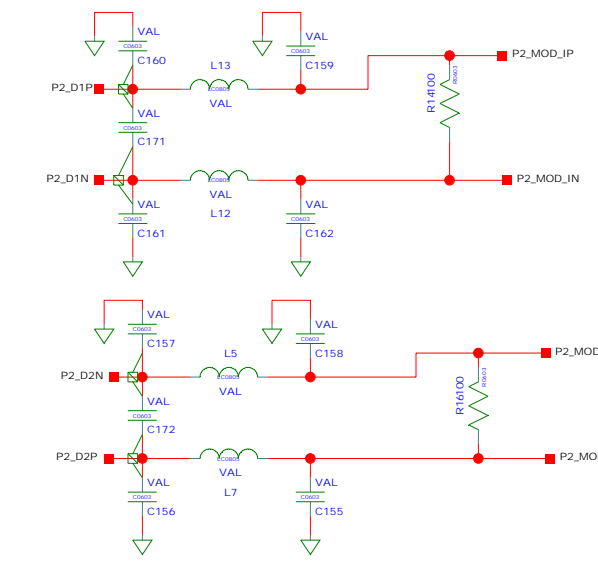
A

F

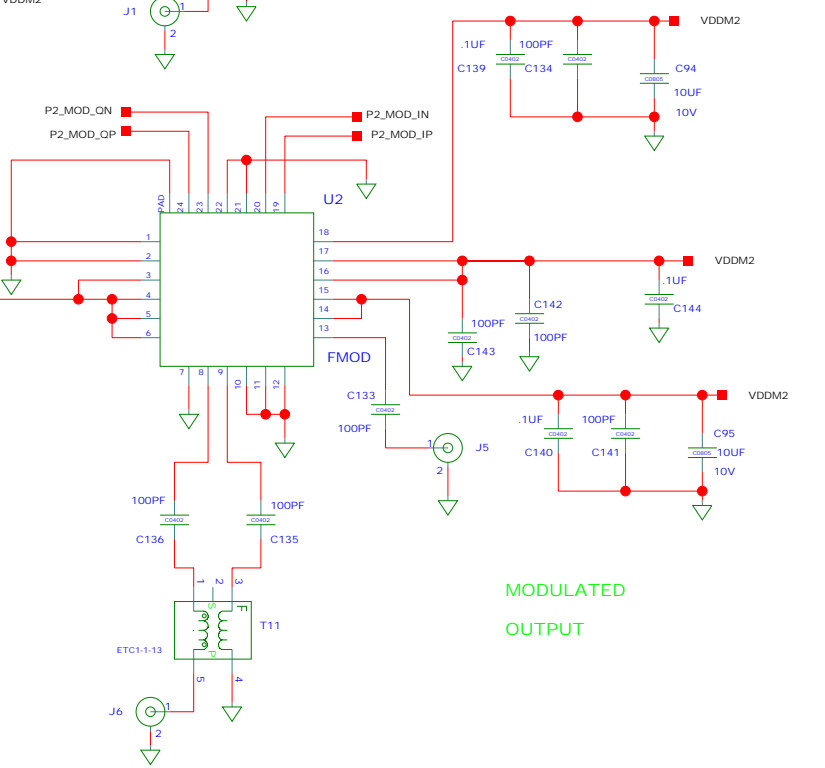




□ = OVERLAP COMPONENT PAD



MODULATED OUTPUT



MODULATED OUTPUT

4

3

2

1

D

D

C

C

B

B

A

A

SPI PORT

