

8 7 6 5 4 3 2 1

THIS DRAWING IS THE PROPERTY OF ANALOG DEVICES INC. IT IS NOT TO BE REPRODUCED OR COPIED, IN WHOLE OR IN PART, OR USED IN FURNISHING INFORMATION TO OTHERS, OR FOR ANY OTHER PURPOSE DETRIMENTAL TO THE INTERESTS OF ANALOG DEVICES. THE EQUIPMENT SHOWN HEREON MAY BE PROTECTED BY PATENTS OWNED OR CONTROLLED BY ANALOG DEVICES.

JUMPER TABLE		
JP#	ON	OFF
1		
2		
3		
4		
5		

REVISIONS			
REV	DESCRIPTION	DATE	APPROVED
A		2-10	B.H.

RELAY CONTROL CHART

CONTROL	CODE	DEVICE	FUNCTION	CONNECTOR

* SEE ASSEMBLY INSTRUCTIONS

D

D

C

C

B

B

A

A

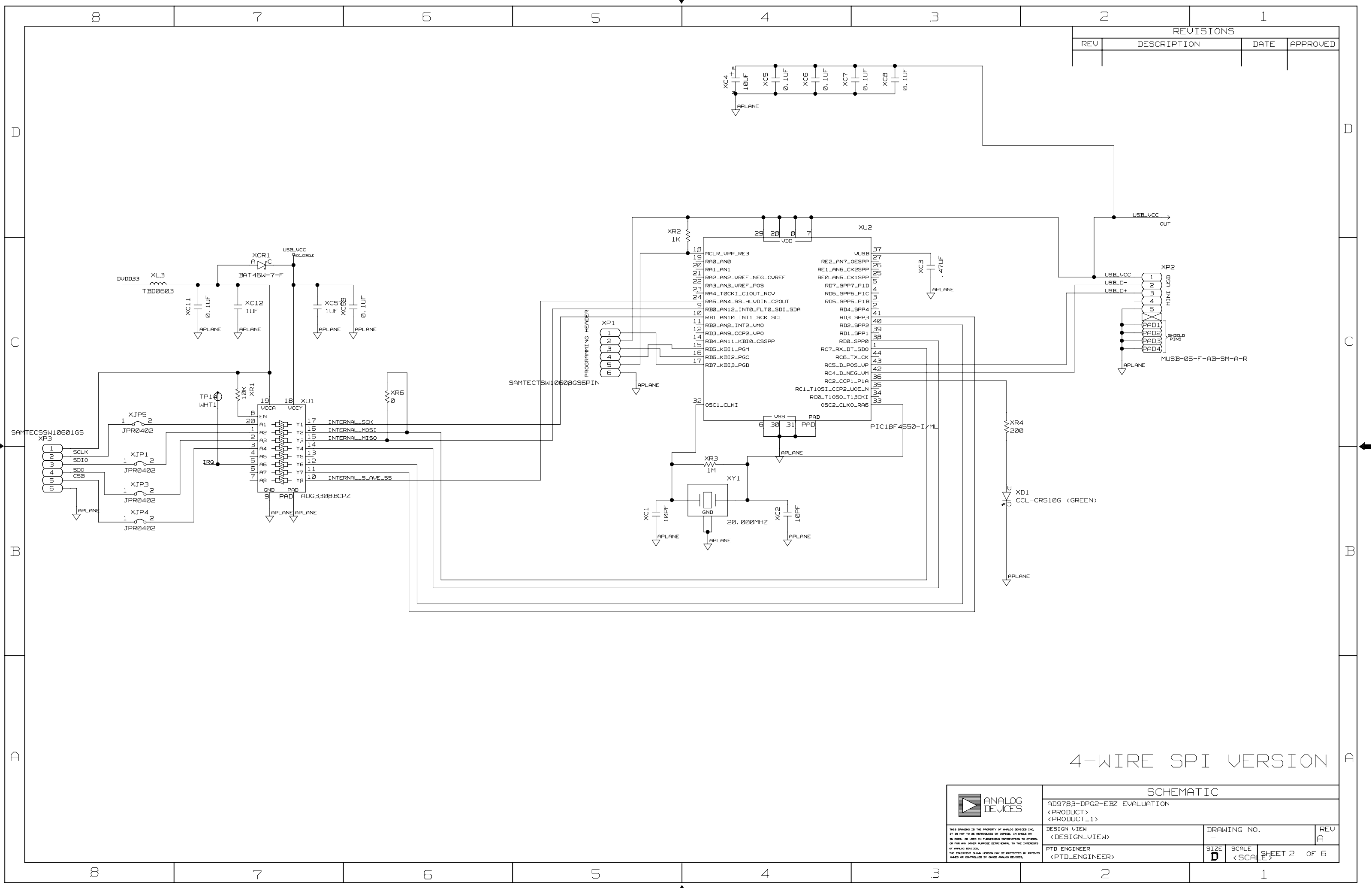
FEB 26 2010

P. O SPEC.	BK/BD SPEC.	SOCKET OEM	OEM PART#	HANDLER

TEMPLATE ENGINEER P. ALONGI	DATE 7-17-08	SCHEMATIC		
HARDWARE SERVICES -		AD9783-DPG2-EBZ EVALUATION		
HARDWARE SYSTEMS -		<PRODUCT>		
TEST ENGINEER -		<PRODUCT_1>		
COMPONENT ENGINEER -		<DRAWING_TITLE1>		
TEST PROCESS -		<DRAWING_TITLE2>		
HARDWARE RELEASE -		<DRAWING_TITLE3>		
		<DRAWING_TITLE4>		
		<DRAWING_TITLE5>		
DESIGNER -		MASTER PROJECT TEMPLATE <DRAWING_TITLE5>	TESTER TEMPLATE	DRAWING NO.
PTD ENGINEER <PTD_ENGINEER>		UNLESS OTHERWISE SPECIFIED DIMENSIONS ARE IN INCHES		REV. A
CHECKER -		TOLERANCES DECIMALS FRACTIONS ANGLES X.XX +0.010 +-1/32 +-2 X.XXX +-0.005		SIZE D
		SCALE <SCALE>	CODE ID NO.	SHEET 1 OF 6

8 7 6 5 4 3 2 1

REVISIONS			
REV	DESCRIPTION	DATE	APPROVED

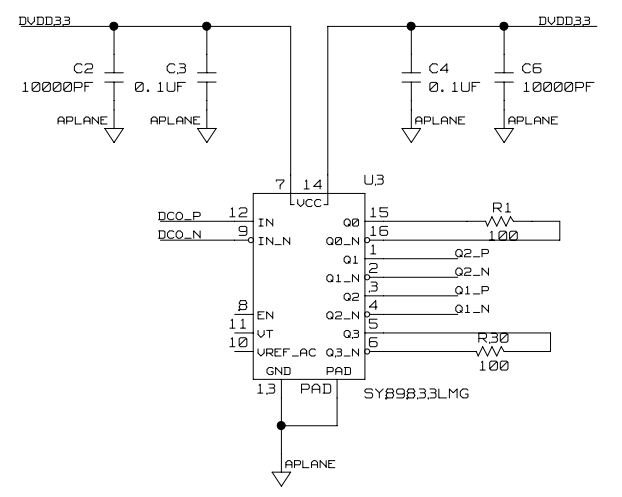
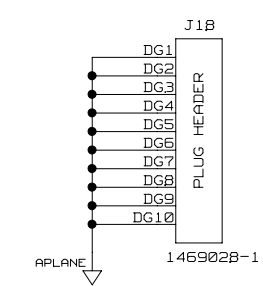
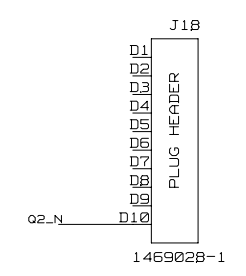
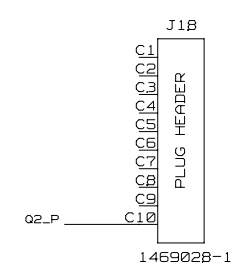
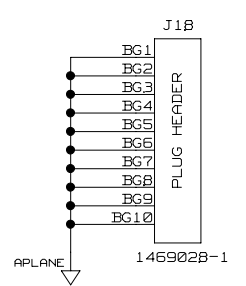
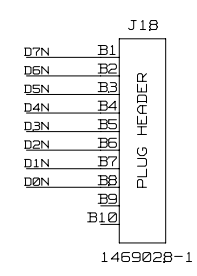
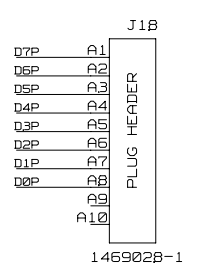
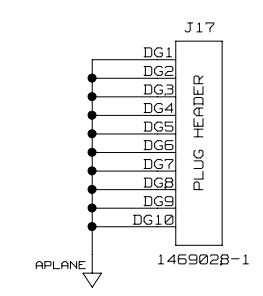
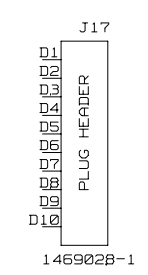
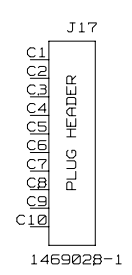
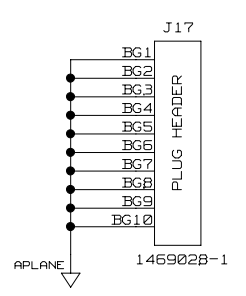
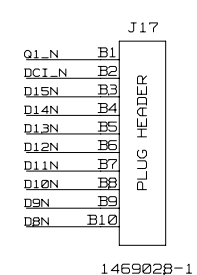
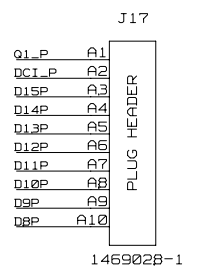


4-WIRE SPI VERSION

	SCHEMATIC		
	AD97B3-DPG2-EBZ EVALUATION		
	<PRODUCT> <PRODUCT_1>		
DESIGN VIEW <DESIGN_VIEW>	DRAWING NO. -	REV A	
PTD ENGINEER <PTD_ENGINEER>	SIZE D	SCALE <SCALE>	SHEET 2 OF 6

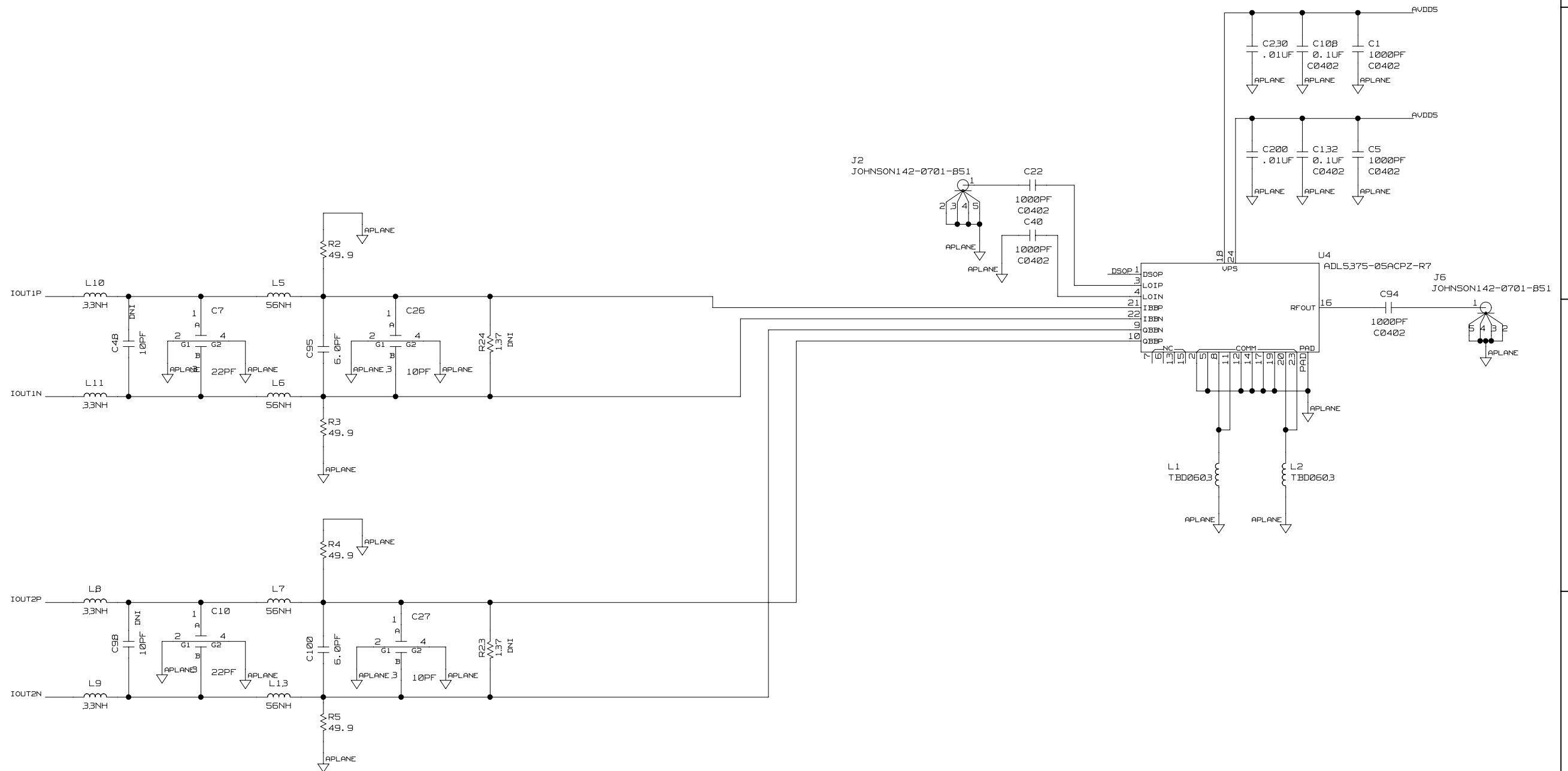
THIS DRAWING IS THE PROPERTY OF ANALOG DEVICES INC. IT IS NOT TO BE REPRODUCED OR COPIED, IN WHOLE OR IN PART, OR USED IN FURNISHING INFORMATION TO OTHERS, OR FOR ANY OTHER PURPOSE DETRIMENTAL TO THE INTERESTS OF ANALOG DEVICES. THE EQUIPMENT FROM WHICH THIS DRAWING WAS TAKEN MAY BE PROTECTED BY PATENTS OWNED OR CONTROLLED BY ANALOG DEVICES.

REVISIONS			
REV	DESCRIPTION	DATE	APPROVED



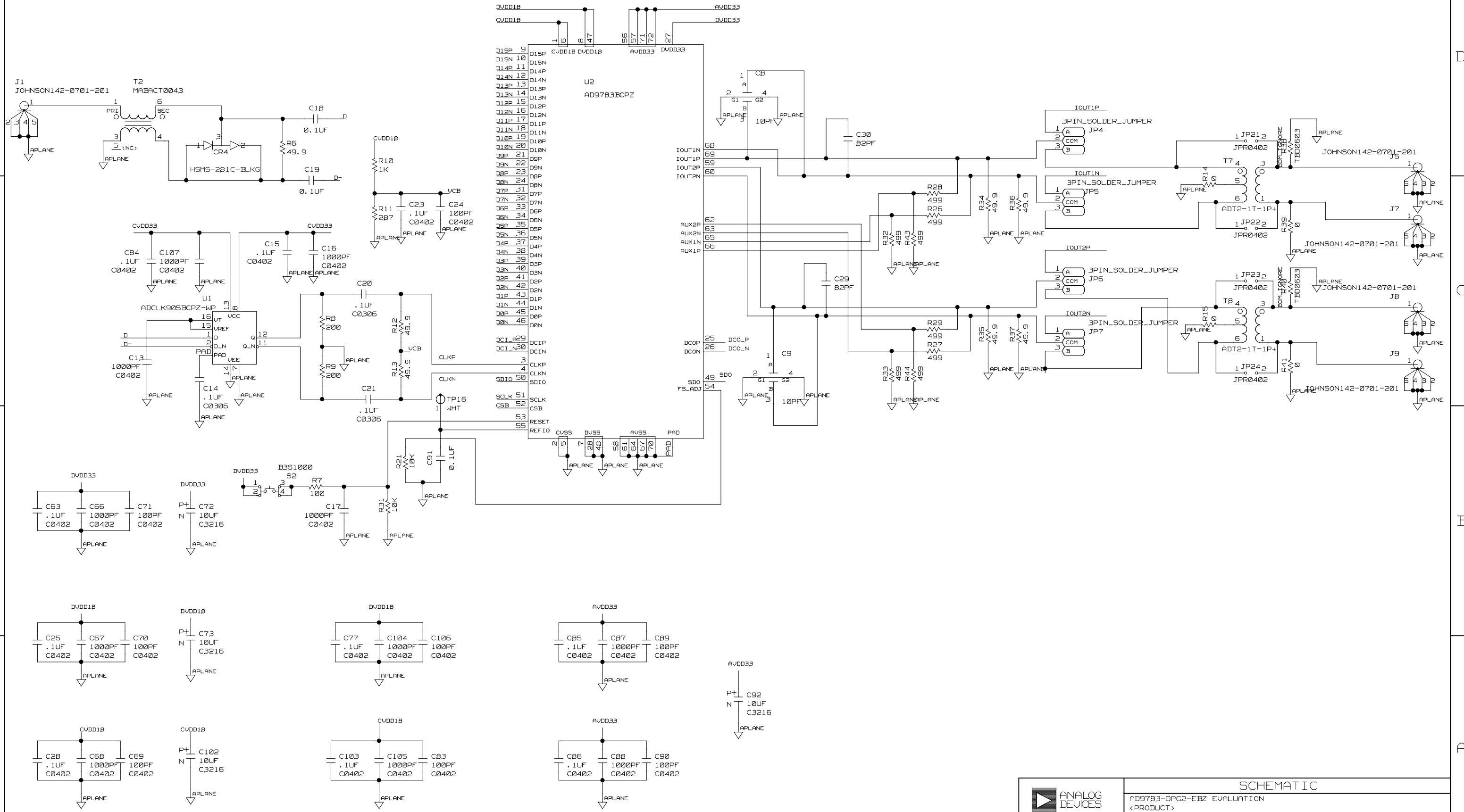
	SCHEMATIC		
	AD97B33-CPG2-EBZ EVALUATION		
	<PRODUCT>		
	<PRODUCT_1>		
<small>THIS DRAWING IS THE PROPERTY OF ANALOG DEVICES INC. IT IS NOT TO BE REPRODUCED OR COPIED, IN WHOLE OR IN PART, OR USED IN FURNISHING INFORMATION TO OTHERS, OR FOR ANY OTHER PURPOSE DETRIMENTAL TO THE INTERESTS OF ANALOG DEVICES. THE EQUIPMENT DESIGN HEREON MAY BE PROTECTED BY PATENTS OWNED OR CONTROLLED BY ANALOG DEVICES.</small>	DESIGN VIEW <DESIGN_VIEW>	DRAWING NO. -	REV A
PTD ENGINEER <PTD_ENGINEER>	SIZE D	SCALE <SCALE>	SHEET 3 OF 6

REVISIONS			
REV	DESCRIPTION	DATE	APPROVED



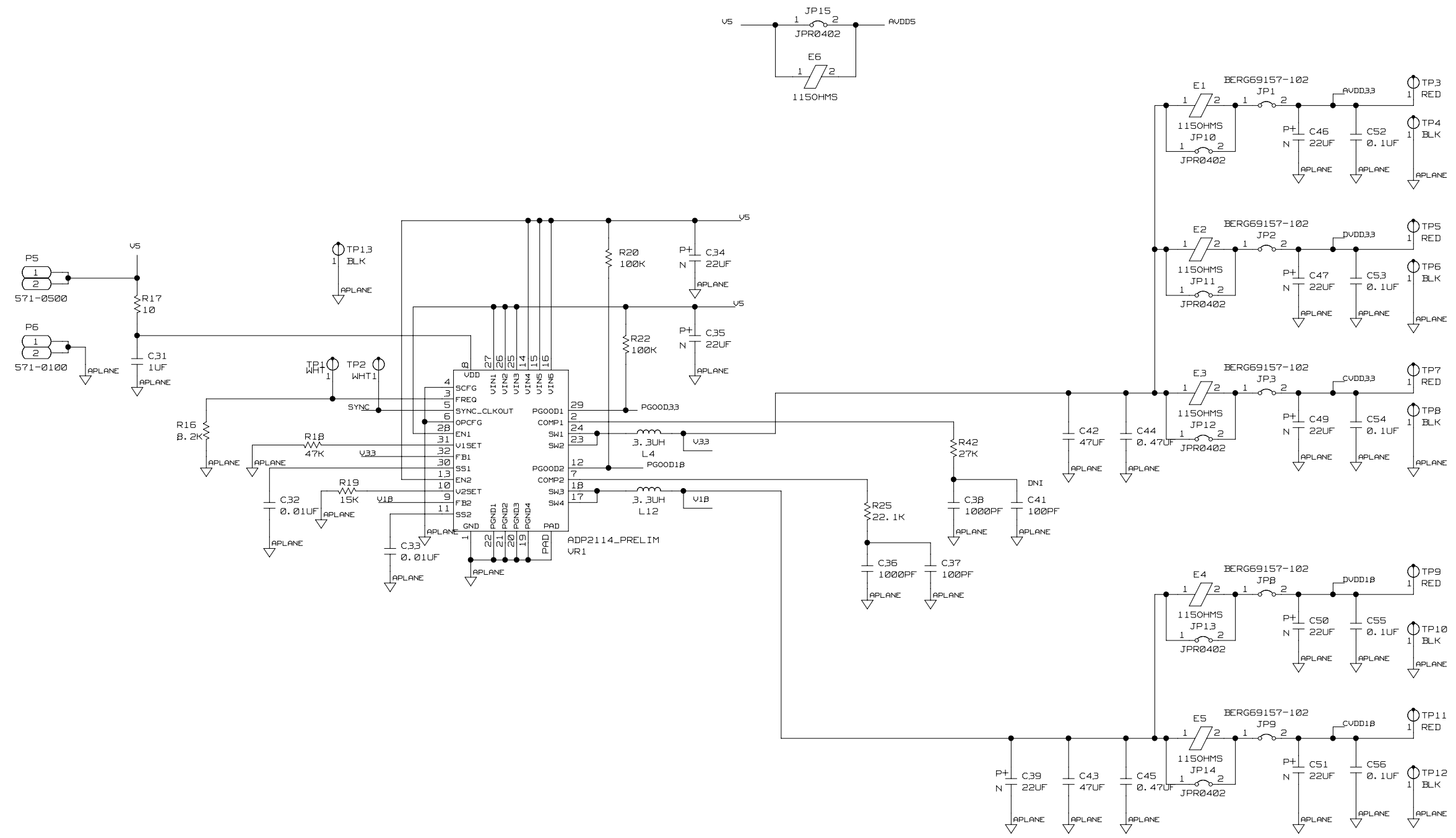
	SCHEMATIC		
	AD9783-EPG2-EBZ EVALUATION		
	<PRODUCT>		
	<PRODUCT_1>		
DESIGN VIEW	DRAWING NO.	REV	
<DESIGN_VIEW>	-	A	
PTD ENGINEER	SIZE	SCALE	SHEET 4 OF 6
<PTD_ENGINEER>	D	<SCALE>	

REVISIONS			
REV	DESCRIPTION	DATE	APPROVED



	SCHEMATIC		
	AD97B3-DPG2-EBZ EVALUATION		
<small>THIS DRAWING IS THE PROPERTY OF ANALOG DEVICES INC. IT IS NOT TO BE REPRODUCED OR COPIED, IN WHOLE OR IN PART, OR USED IN FURNISHING INFORMATION TO OTHERS, OR FOR ANY OTHER PURPOSE DETRIMENTAL TO THE INTERESTS OF ANALOG DEVICES. THE EQUIPMENT DESIGN HEREON MAY BE PROTECTED BY PATENTS OWNED OR CONTROLLED BY ANALOG DEVICES.</small>	<PRODUCT> <PRODUCT_1>	DRAWING NO. -	REV A
DESIGN VIEW <DESIGN_VIEW>	PTD ENGINEER <PTD_ENGINEER>	SIZE D	SCALE <SCALE>
		SHEET 5 OF 6	

REVISIONS			
REV	DESCRIPTION	DATE	APPROVED



<p>THIS DRAWING IS THE PROPERTY OF ANALOG DEVICES INC. IT IS NOT TO BE REPRODUCED OR COPIED, IN WHOLE OR IN PART, OR USED IN FURNISHING INFORMATION TO OTHERS, OR FOR ANY OTHER PURPOSE DETRIMENTAL TO THE INTERESTS OF ANALOG DEVICES. THE EQUIPMENT DESIGN HEREON MAY BE PROTECTED BY PATENTS OWNED OR CONTROLLED BY ANALOG DEVICES.</p>	SCHEMATIC		
	AD9783-DPG2-EBZ EVALUATION		
	<PRODUCT>		
	<PRODUCT_1>		
DESIGN VIEW	DRAWING NO.	REV	
<DESIGN_VIEW>	-	A	
PTD ENGINEER	SIZE	SCALE	SHEET 6 OF 6
<PTD_ENGINEER>	D	<SCALE>	