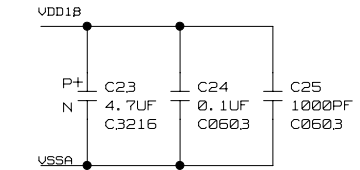
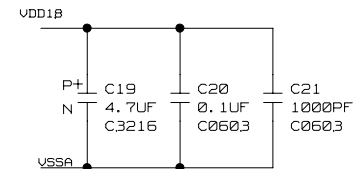
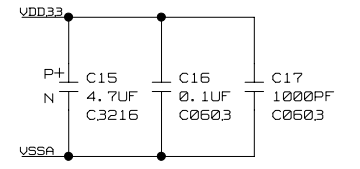


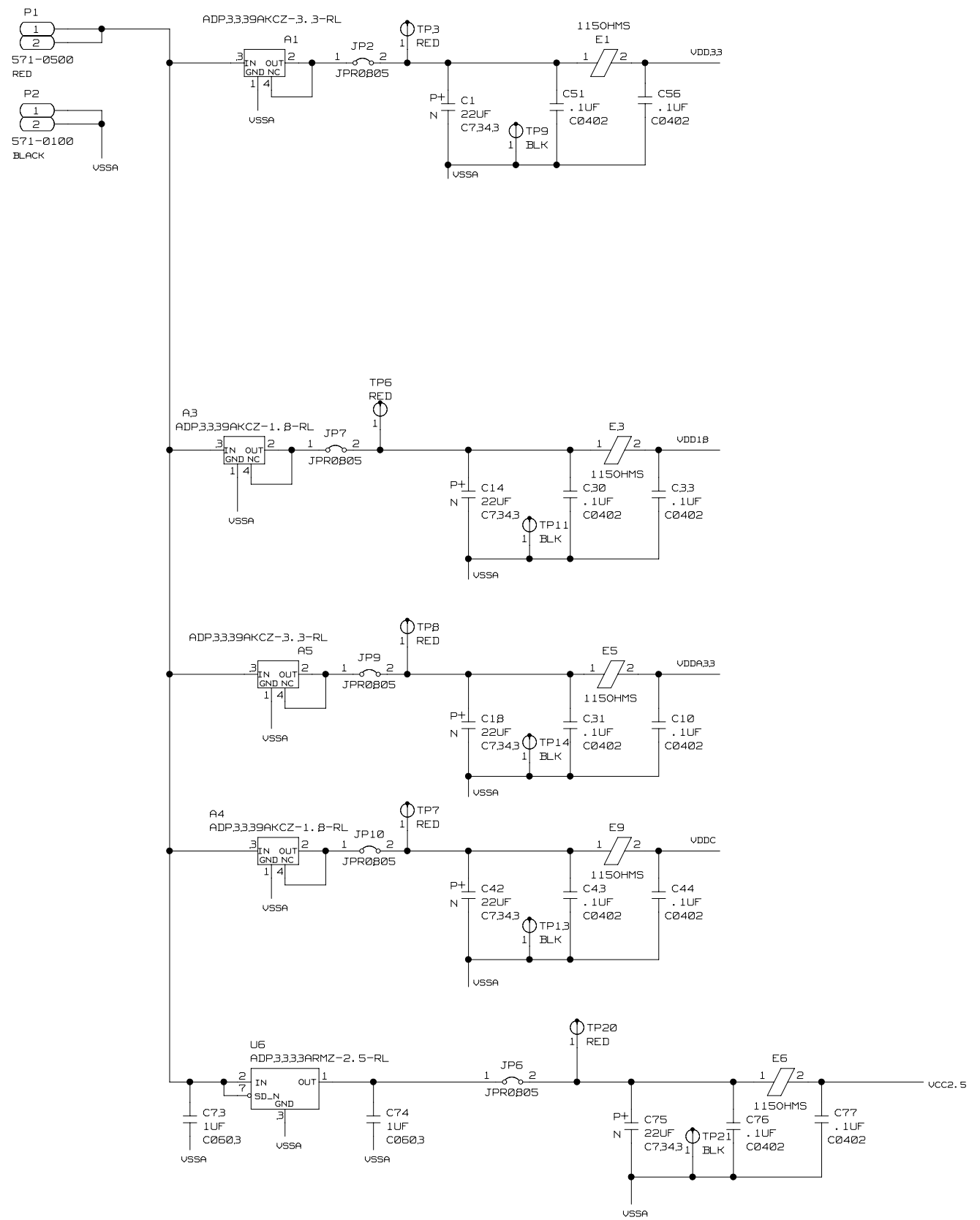
REVISIONS			
REV	DESCRIPTION	DATE	APPROVED



	SCHEMATIC		
	HYDROGEN DPG2 EVALUATION BOARD		
	<PRODUCT_1>		
	DESIGN VIEW	DRAWING NO.	REV
<DESIGN_VIEW>	02-012693	C	
PTD ENGINEER	SIZE	SCALE	SHEET 2 OF 6
<PTD_ENGINEER>	D	-	

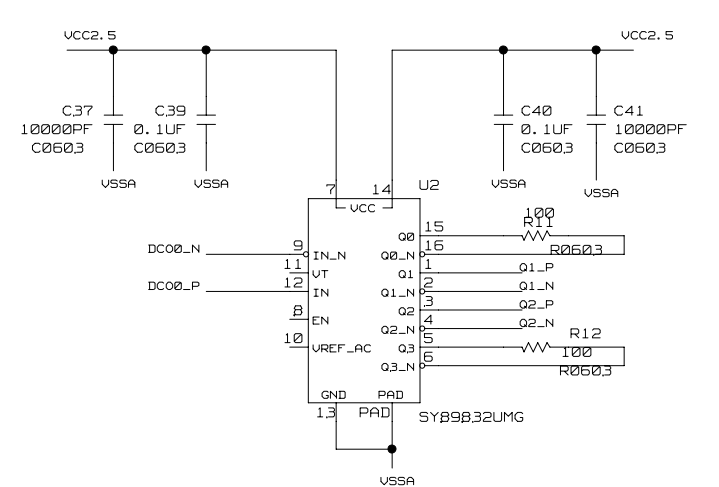
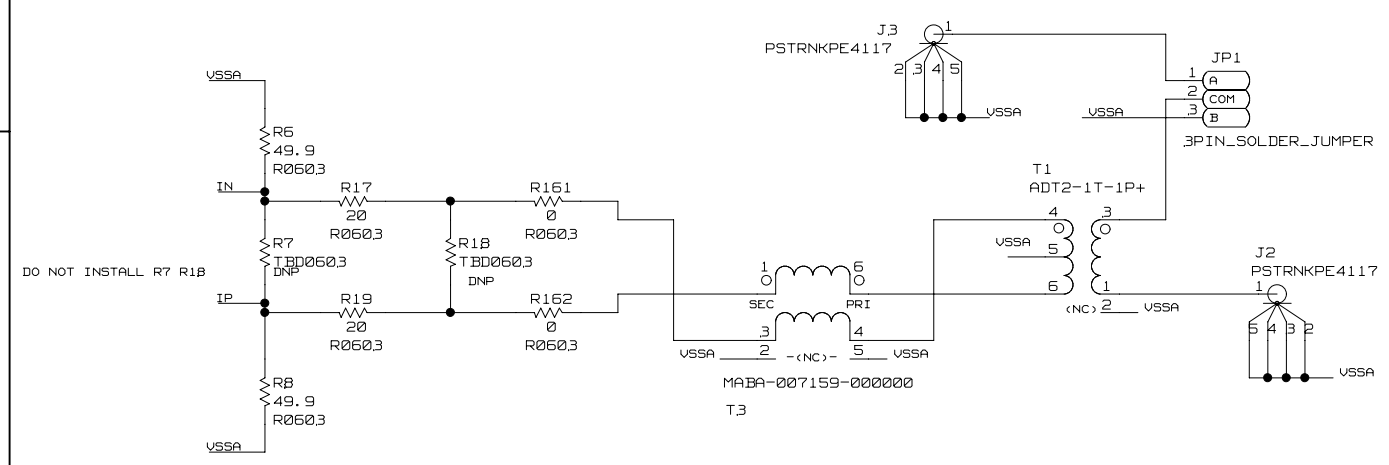
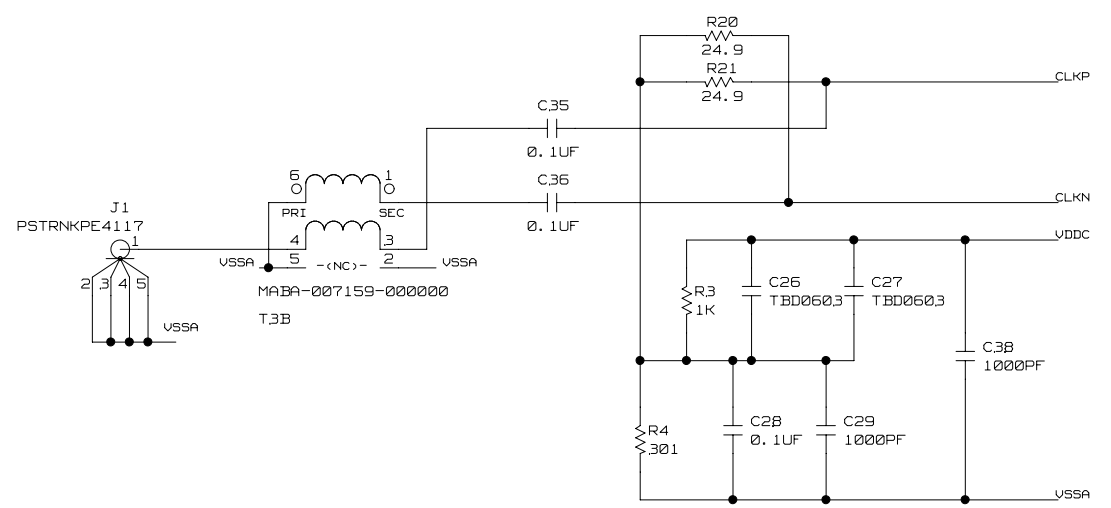
THIS DRAWING IS THE PROPERTY OF ANALOG DEVICES INC. IT IS NOT TO BE REPRODUCED OR COPIED IN WHOLE OR IN PART, OR USED IN FURNISHING INFORMATION TO OTHERS, OR FOR ANY OTHER PURPOSE DETRIMENTAL TO THE INTERESTS OF ANALOG DEVICES. THE EQUIPMENT DESIGN HEREON MAY BE PROTECTED BY PATENTS OWNED OR CONTROLLED BY ANALOG DEVICES.

REVISIONS			
REV	DESCRIPTION	DATE	APPROVED



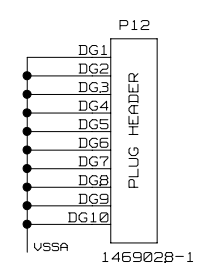
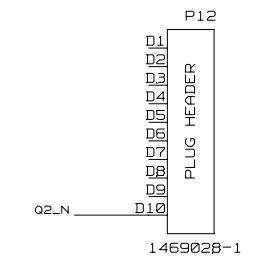
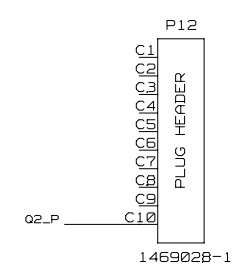
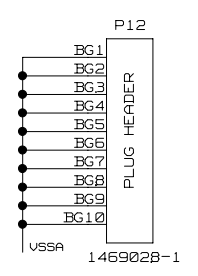
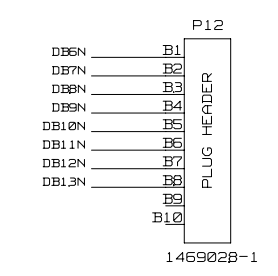
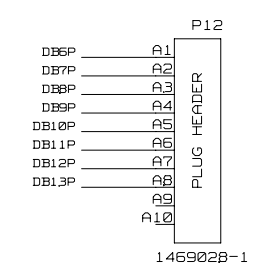
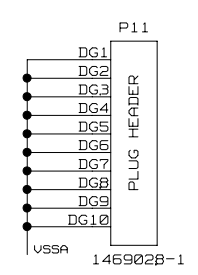
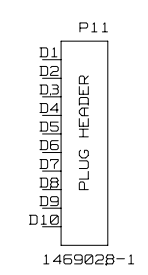
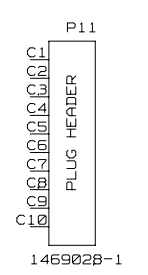
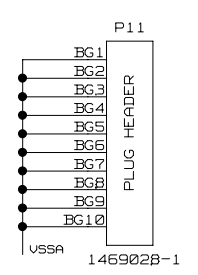
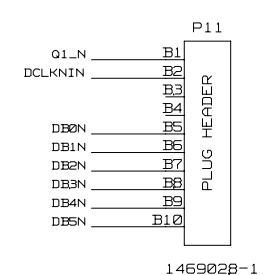
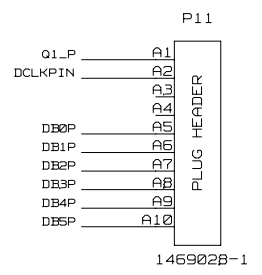
	SCHEMATIC		
	HYDROGEN DPG2 EVALUATION BOARD - <PRODUCT_1>		
<small>THIS DRAWING IS THE PROPERTY OF ANALOG DEVICES INC. IT IS NOT TO BE REPRODUCED OR COPIED, IN WHOLE OR IN PART, OR USED IN FURNISHING INFORMATION TO OTHERS, OR FOR ANY OTHER PURPOSE DETRIMENTAL TO THE INTERESTS OF ANALOG DEVICES. THE EQUIPMENT DESIGN HEREON MAY BE PROTECTED BY PATENTS OWNED OR CONTROLLED BY ANALOG DEVICES.</small>	DESIGN VIEW <DESIGN_VIEW>	DRAWING NO. 02-012693	REV C
PTD ENGINEER <PTD_ENGINEER>	SIZE D	SCALE -	SHEET 3 OF 6

REVISIONS			
REV	DESCRIPTION	DATE	APPROVED



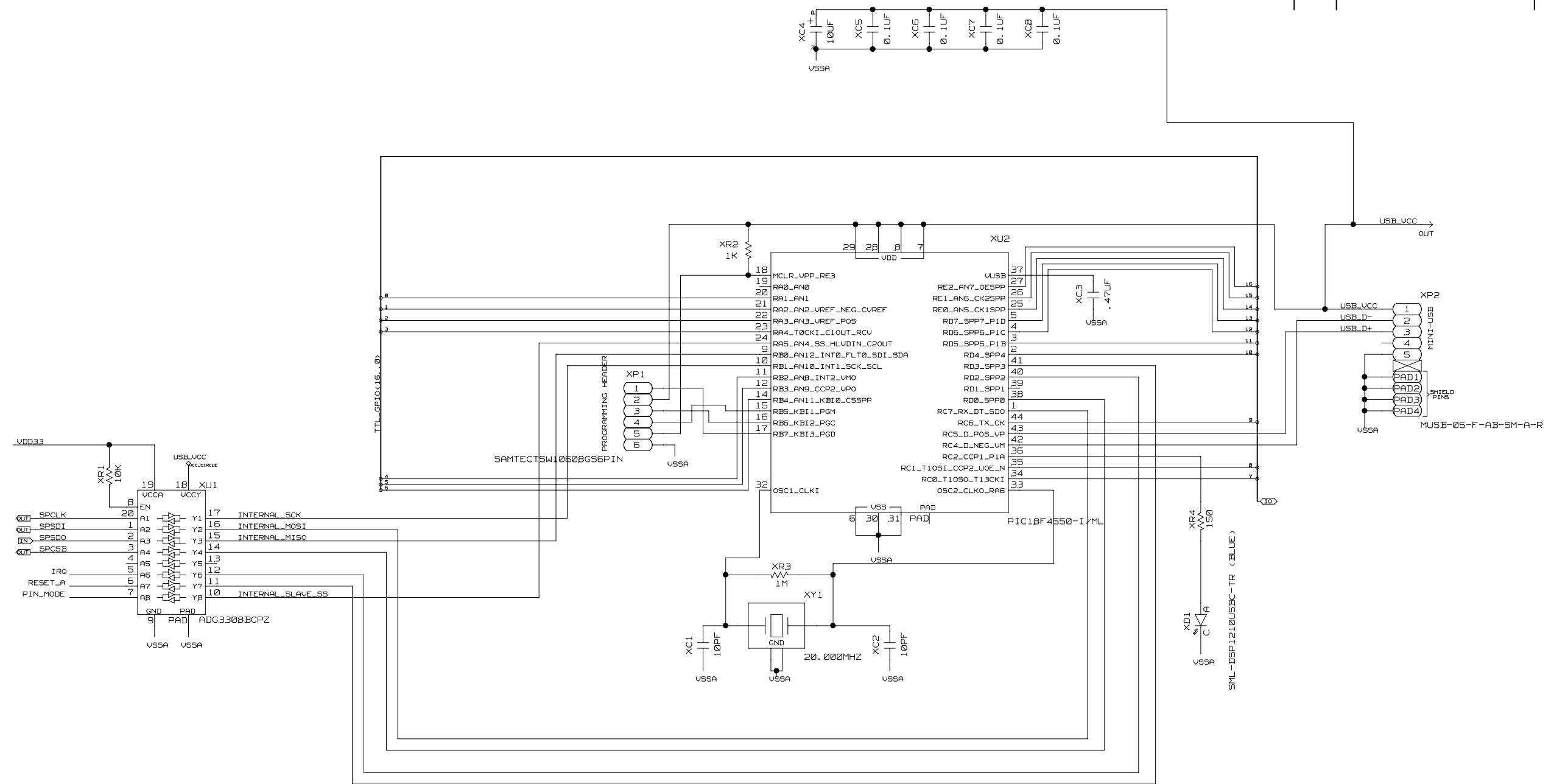
	SCHEMATIC		
	HYDROGEN DPG2 EVALUATION BOARD		
<PRODUCT_1>			
DESIGN VIEW	DESIGN VIEW	DRAWING NO.	REV
<DESIGN_VIEW>	<DESIGN_VIEW>	02-012693	C
PTD ENGINEER	SIZE	SCALE	SHEET 4 OF 6
<PTD_ENGINEER>	D	-	

REVISIONS			
REV	DESCRIPTION	DATE	APPROVED



	SCHEMATIC		
	HYDROGEN DPG2 EVALUATION BOARD		
	<PRODUCT_1>		
	DESIGN VIEW <DESIGN_VIEW>	DRAWING NO. 02-012693	REV C
PTD ENGINEER <PTD_ENGINEER>	SIZE D	SCALE -	SHEET 5 OF 6

REVISIONS			
REV	DESCRIPTION	DATE	APPROVED



4-WIRE SPI VERSION

	SCHEMATIC		
	HYDROGEN DPG2 EVALUATION BOARD		
- <PRODUCT_1>			
DESIGN VIEW	DRAWING NO.	REV	
<DESIGN_VIEW>	02-012693	C	
PTD ENGINEER	SIZE	SCALE	SHEET 6 OF 6
<PTD_ENGINEER>	D	-	

THIS DRAWING IS THE PROPERTY OF ANALOG DEVICES INC. IT IS NOT TO BE REPRODUCED OR COPIED, IN WHOLE OR IN PART, OR USED IN FURNISHING INFORMATION TO OTHERS, OR FOR ANY OTHER PURPOSE DETRIMENTAL TO THE INTERESTS OF ANALOG DEVICES. THE EQUIPMENT DESIGN HEREON MAY BE PROTECTED BY PATENTS OWNED OR CONTROLLED BY ANALOG DEVICES.