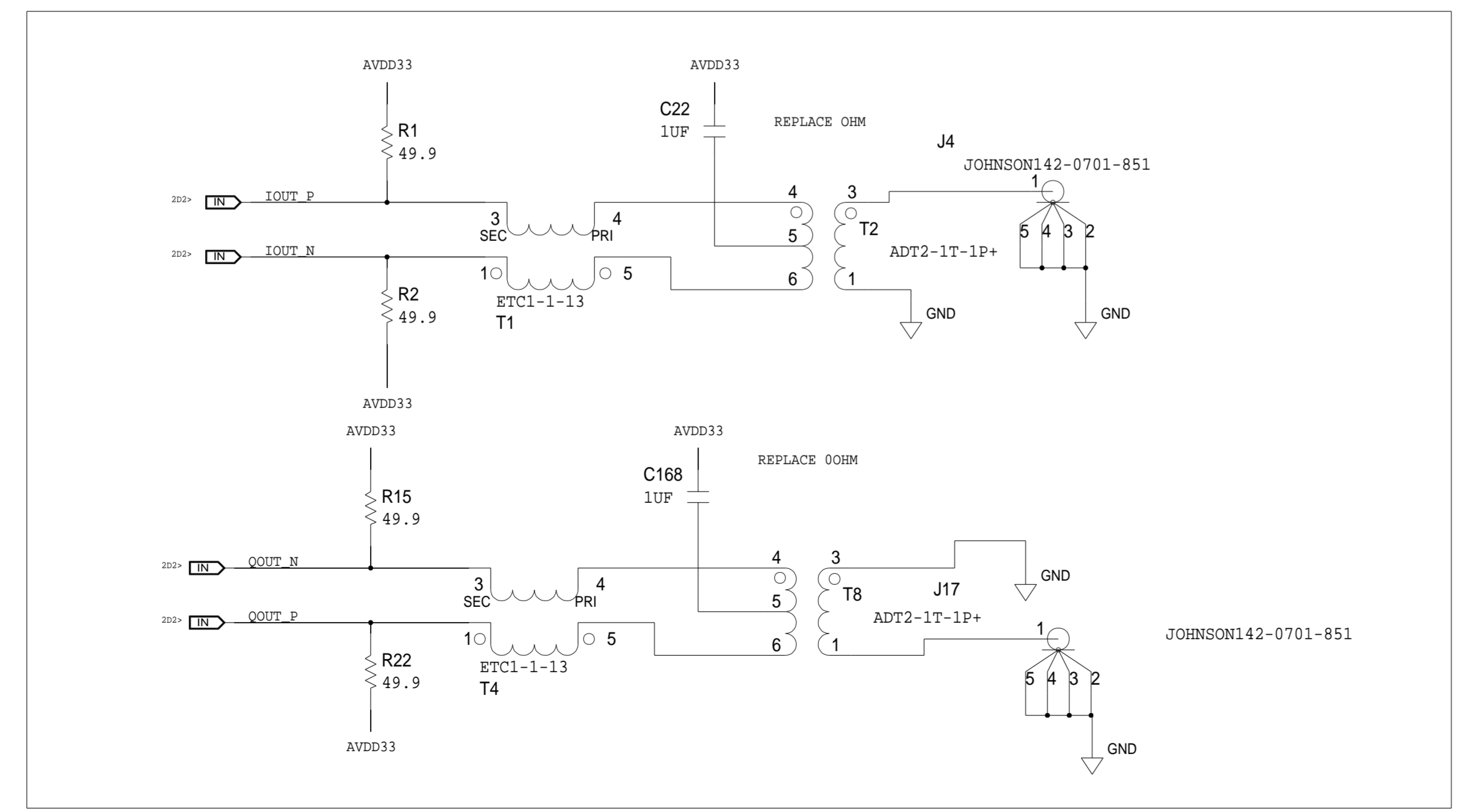
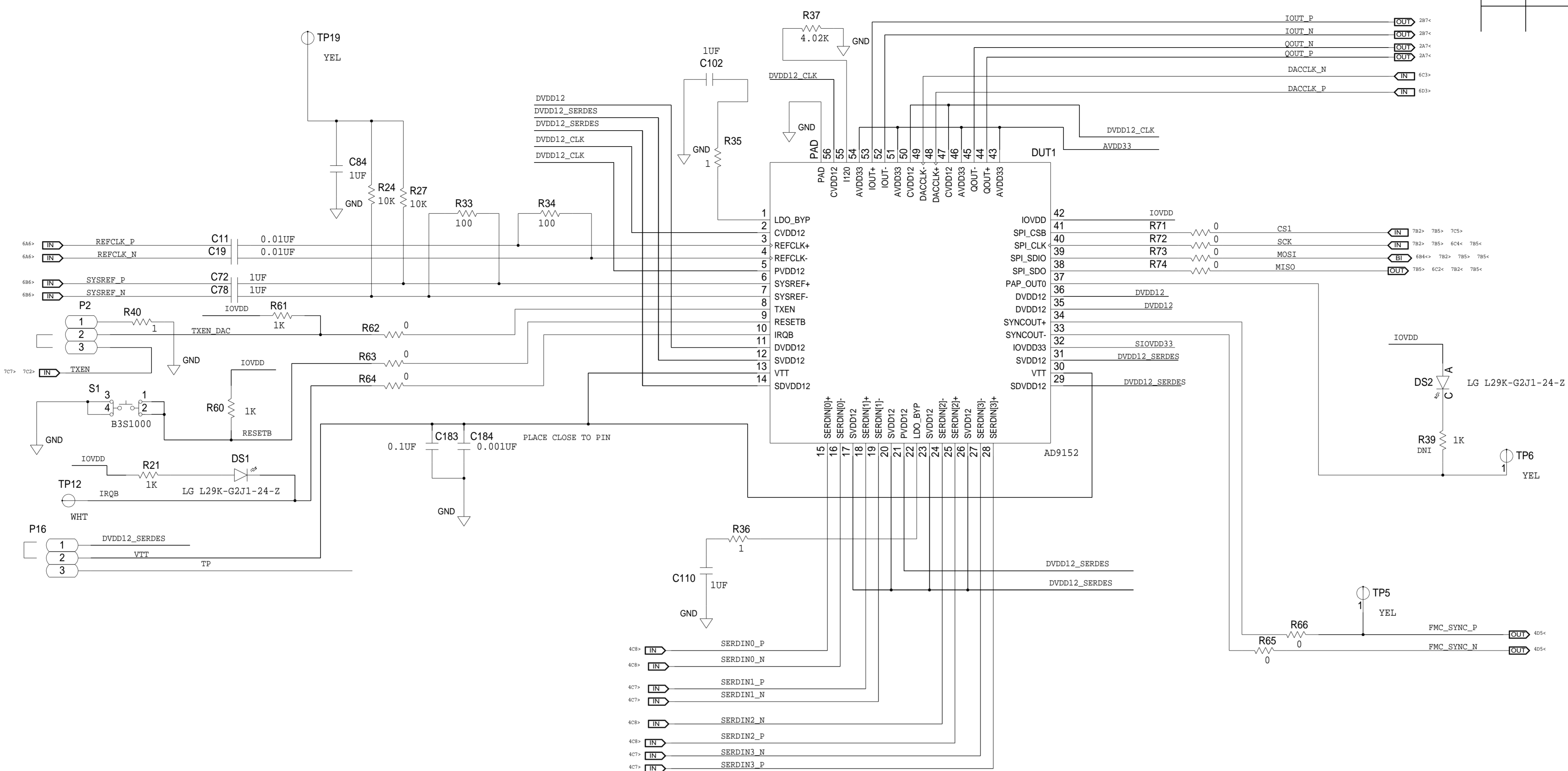
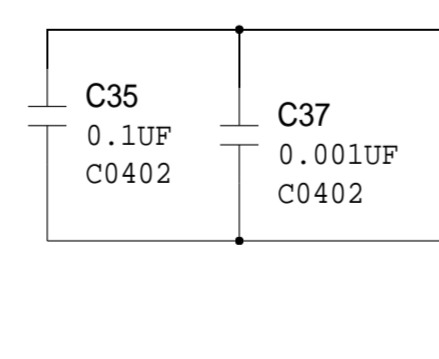
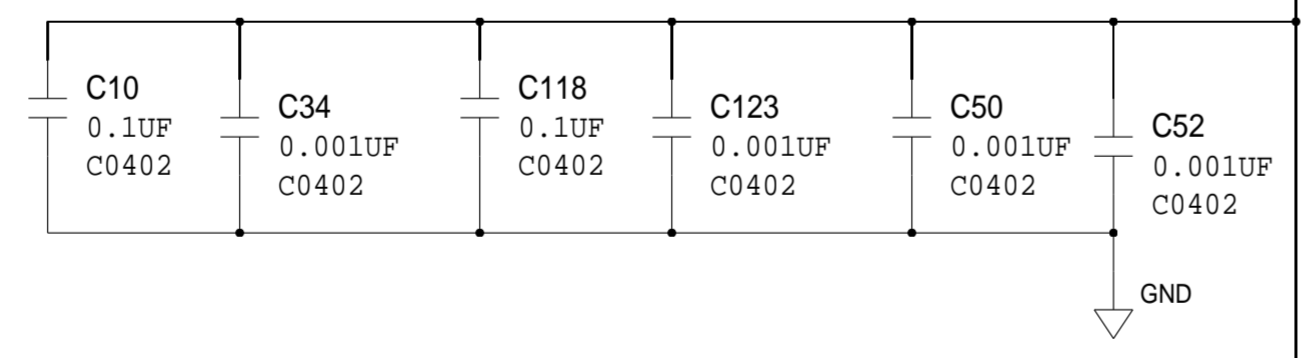
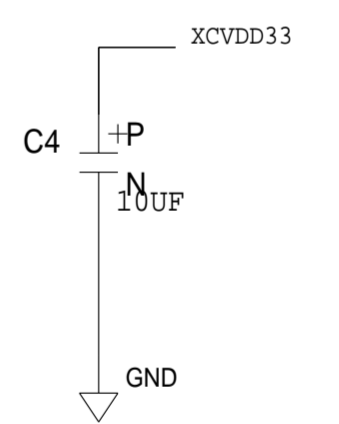
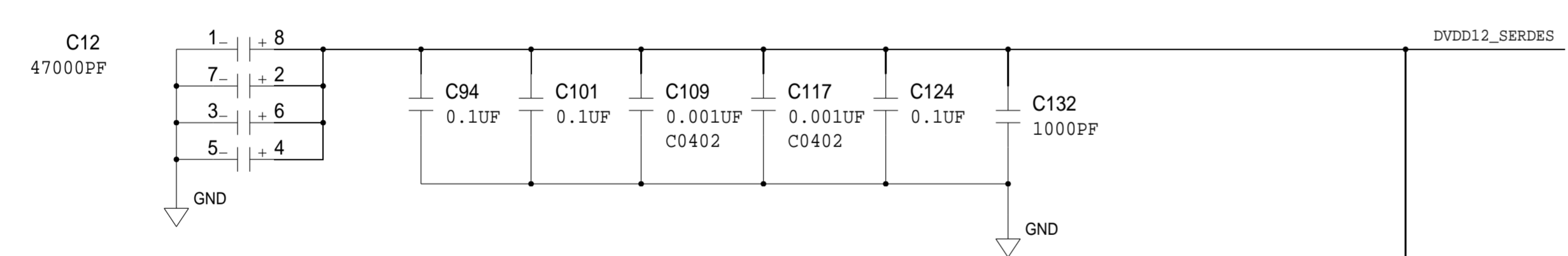
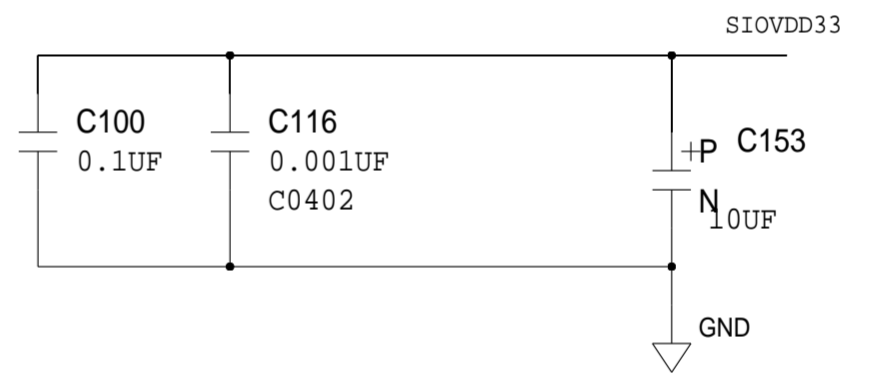
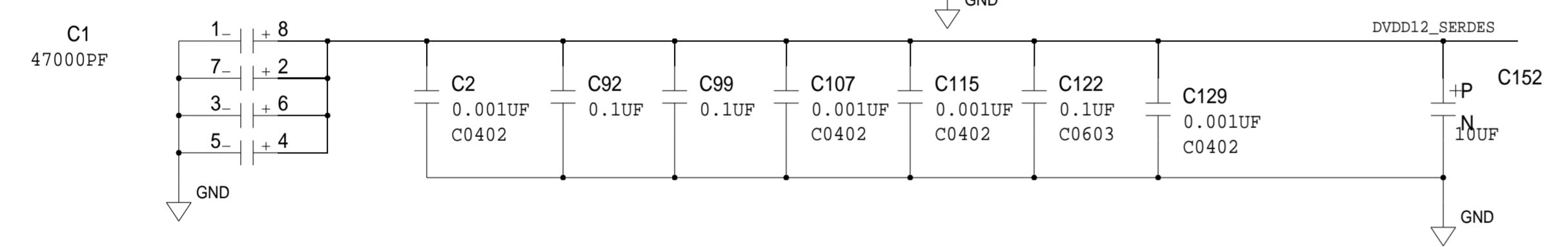
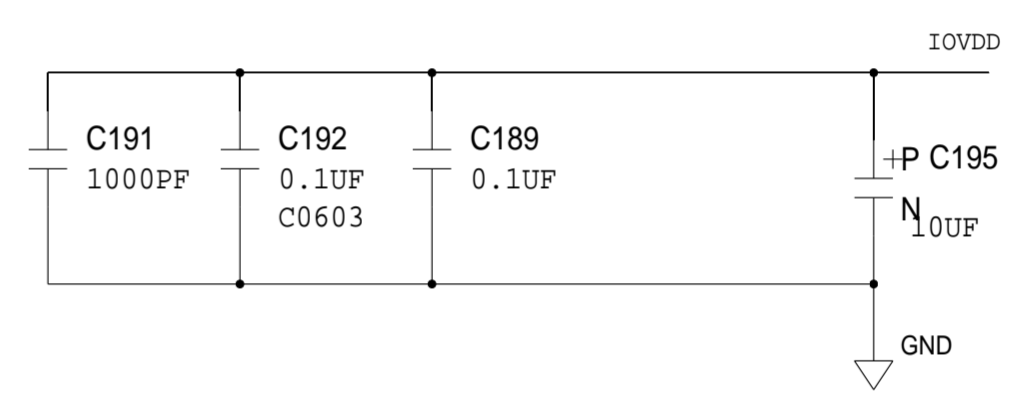
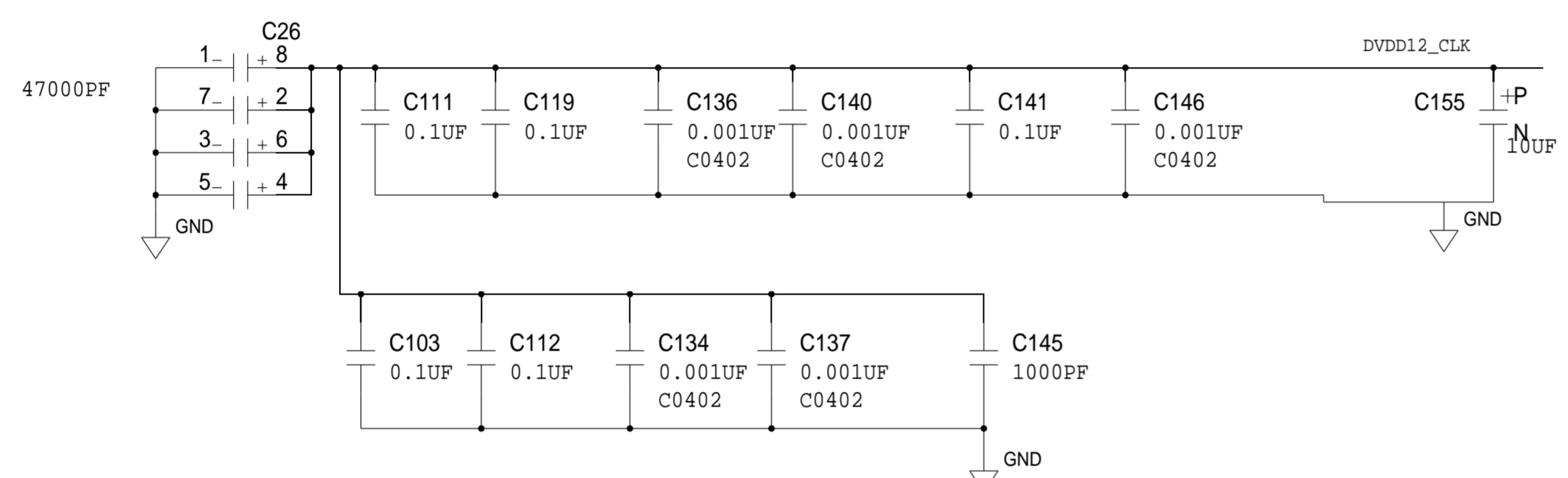
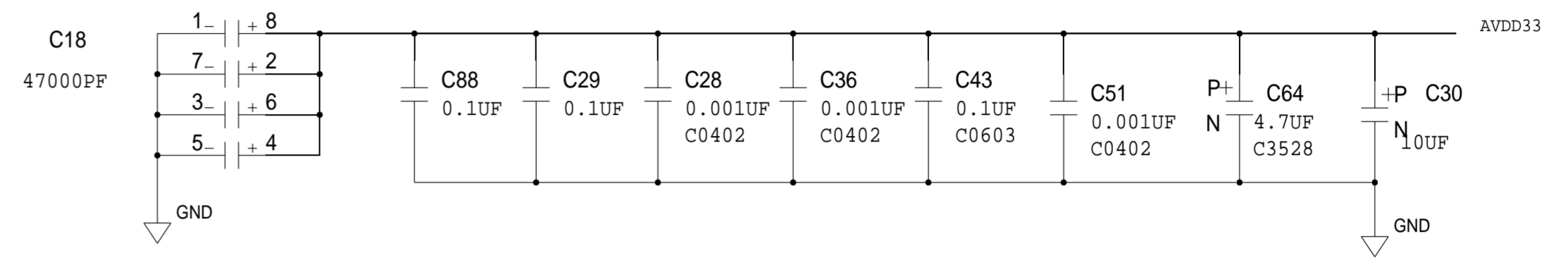
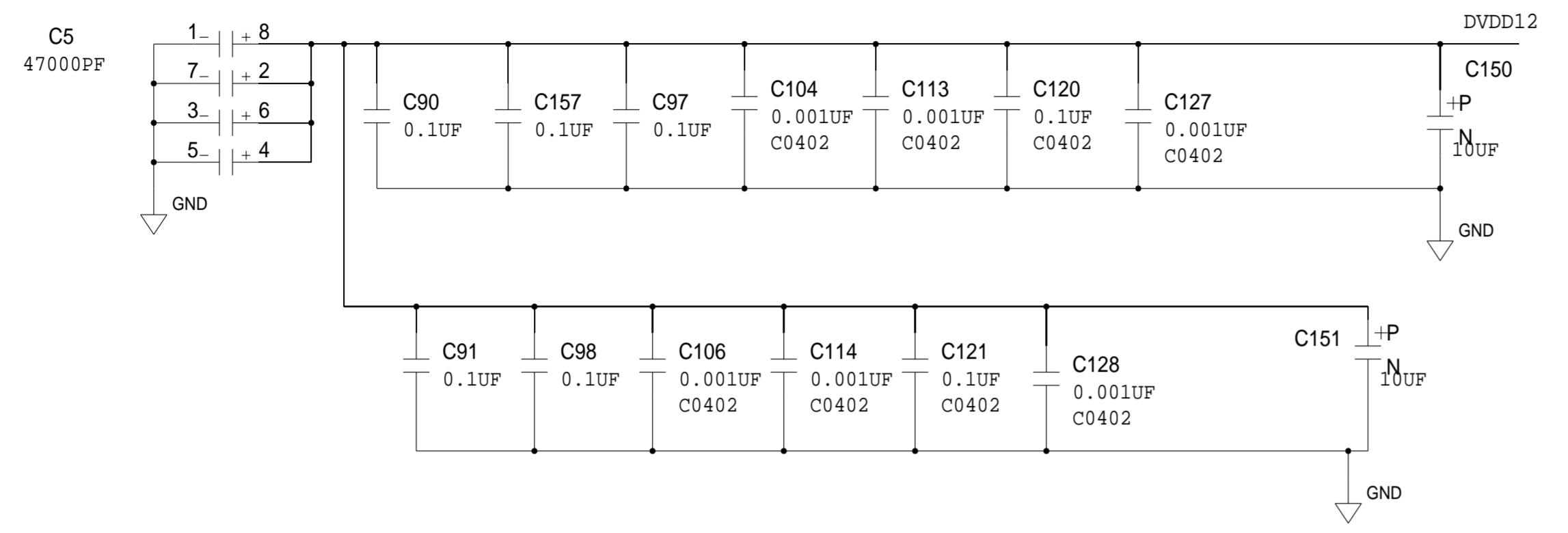


| REVISIONS | | | |
|-----------|-------------|------|----------|
| REV | DESCRIPTION | DATE | APPROVED |
| | | | |



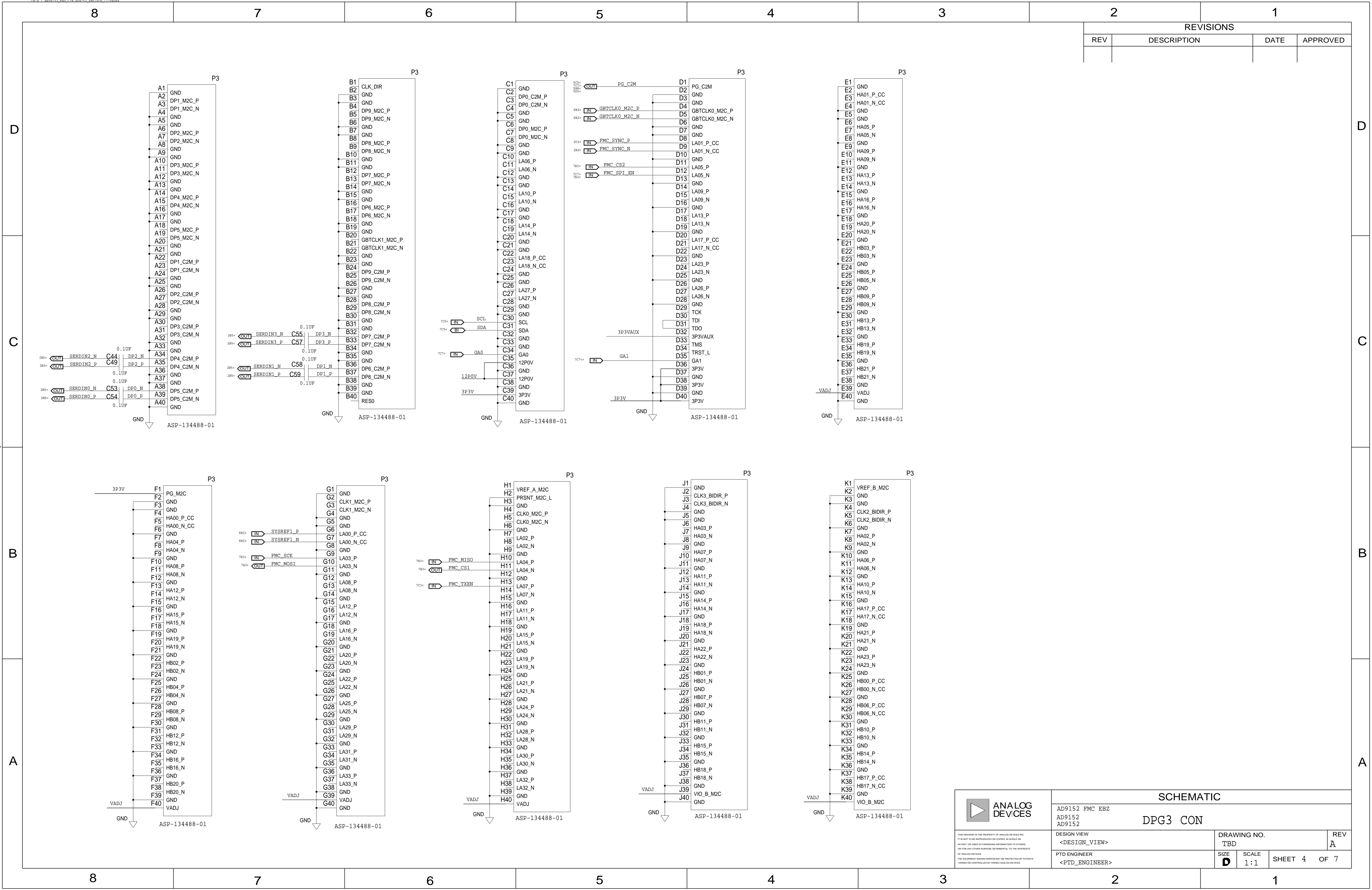
| | | | |
|--|------------------------------------|--------------|--------------------|
| | SCHEMATIC | | |
| | AD9152 FMC EBZ AD9152 AD9152 | | |
| | DESIGN VIEW <DESIGN_VIEW> | | DRAWING NO. TBD |
| | PTD ENGINEER <PTD_ENGINEER> | | SCALE 1:1 |
| | | SHEET 2 OF 7 | REV A |

| REVISIONS | | | |
|-----------|-------------|------|----------|
| REV | DESCRIPTION | DATE | APPROVED |
| | | | |



| | | | |
|--------------------------------|------------------------------------|--------------------|----------|
| | SCHEMATIC | | |
| | AD9152 FMC EBZ AD9152 AD9152 | | |
| | DE-COUPLING CAP | | |
| | DESIGN VIEW <DESIGN_VIEW> | DRAWING NO. TBD | REV A |
| PTD ENGINEER <PTD_ENGINEER> | SIZE D | SCALE 1:1 | |
| SHEET 3 OF 7 | | | |

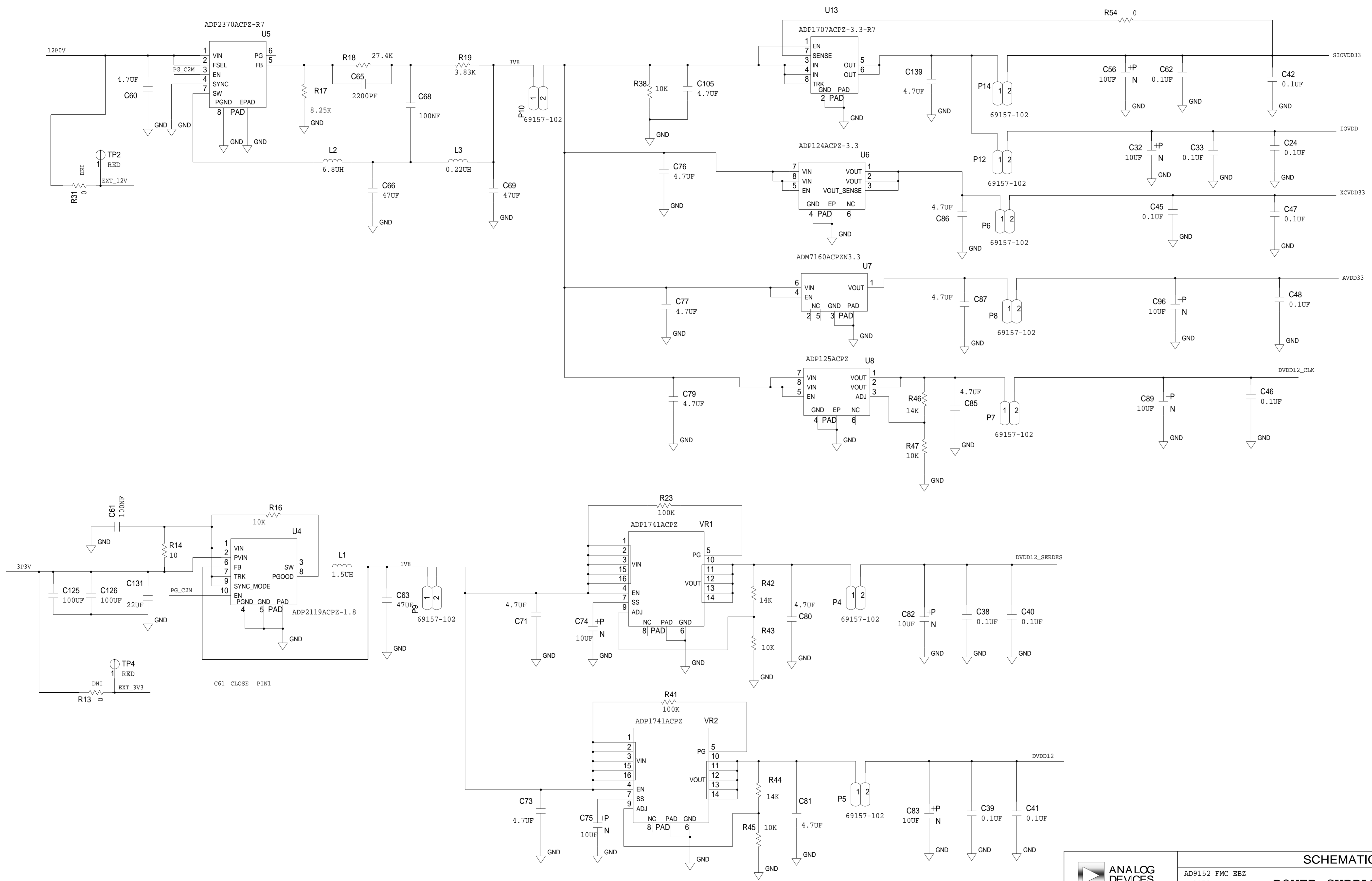
| REVISIONS | | | |
|-----------|-------------|------|----------|
| REV | DESCRIPTION | DATE | APPROVED |
| | | | |



| | | | |
|--------------------------------|------------------------------------|--------------------|--------------|
| | SCHEMATIC | | |
| | AD9152 FMC EBZ AD9152 AD9152 | | |
| | DPG3 CON | | |
| | DESIGN VIEW <DESIGN_VIEW> | DRAWING NO. TBD | REV A |
| PTD ENGINEER <PTD_ENGINEER> | SIZE D | SCALE 1:1 | SHEET 4 OF 7 |

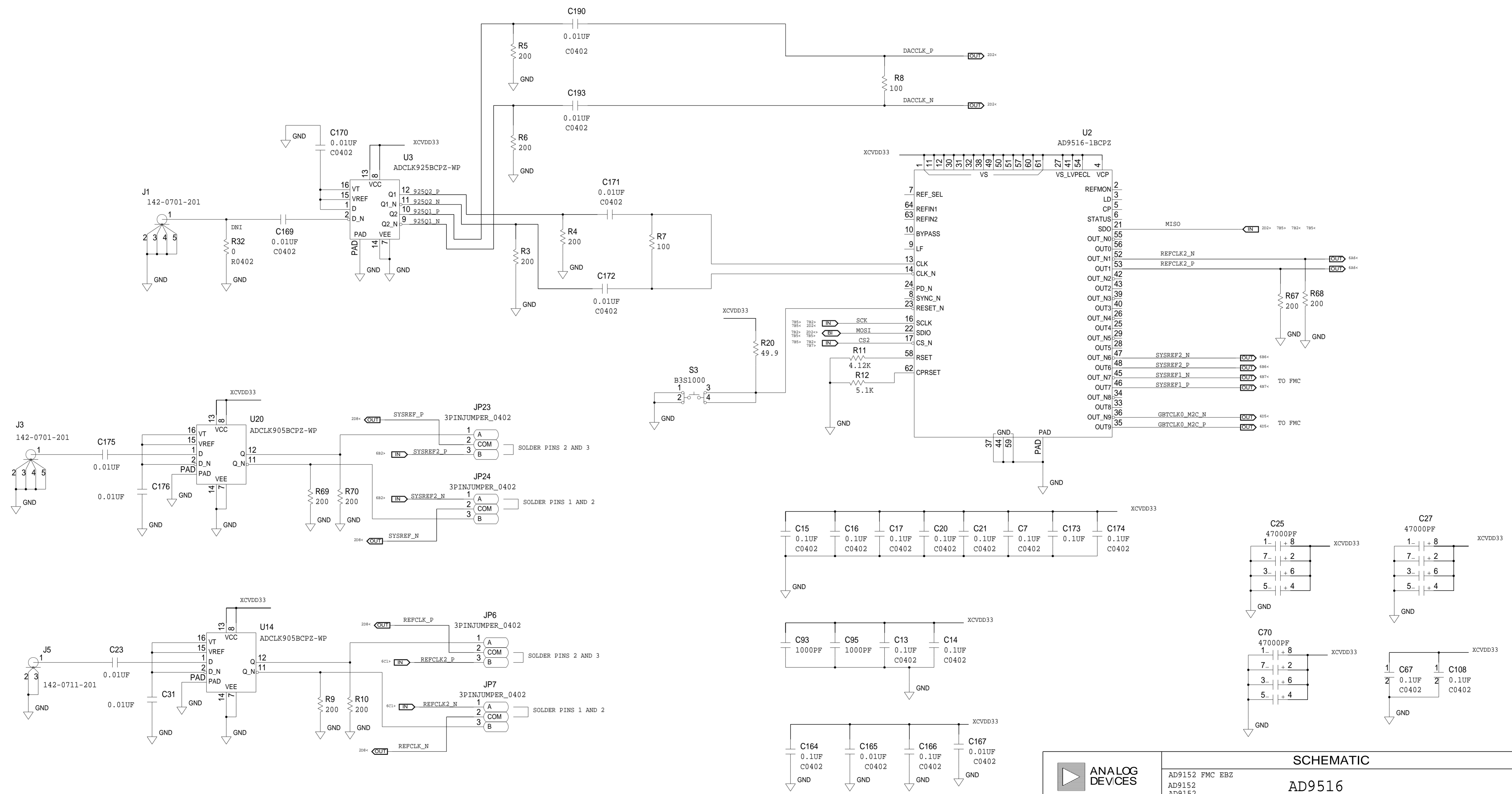
THIS DRAWING IS THE PROPERTY OF ANALOG DEVICES INC. IT IS NOT TO BE REPRODUCED OR COPIED, IN WHOLE OR IN PART, OR USED IN ANY MANNER THAT IS DEEMED TO BE IN THE INTERESTS OF ANALOG DEVICES. THE EQUIPMENT SHOWN HEREIN MAY BE PROTECTED BY PATENTS OWNED OR CONTROLLED BY ANALOG DEVICES.

| REVISIONS | | | |
|-----------|-------------|------|----------|
| REV | DESCRIPTION | DATE | APPROVED |
| | | | |



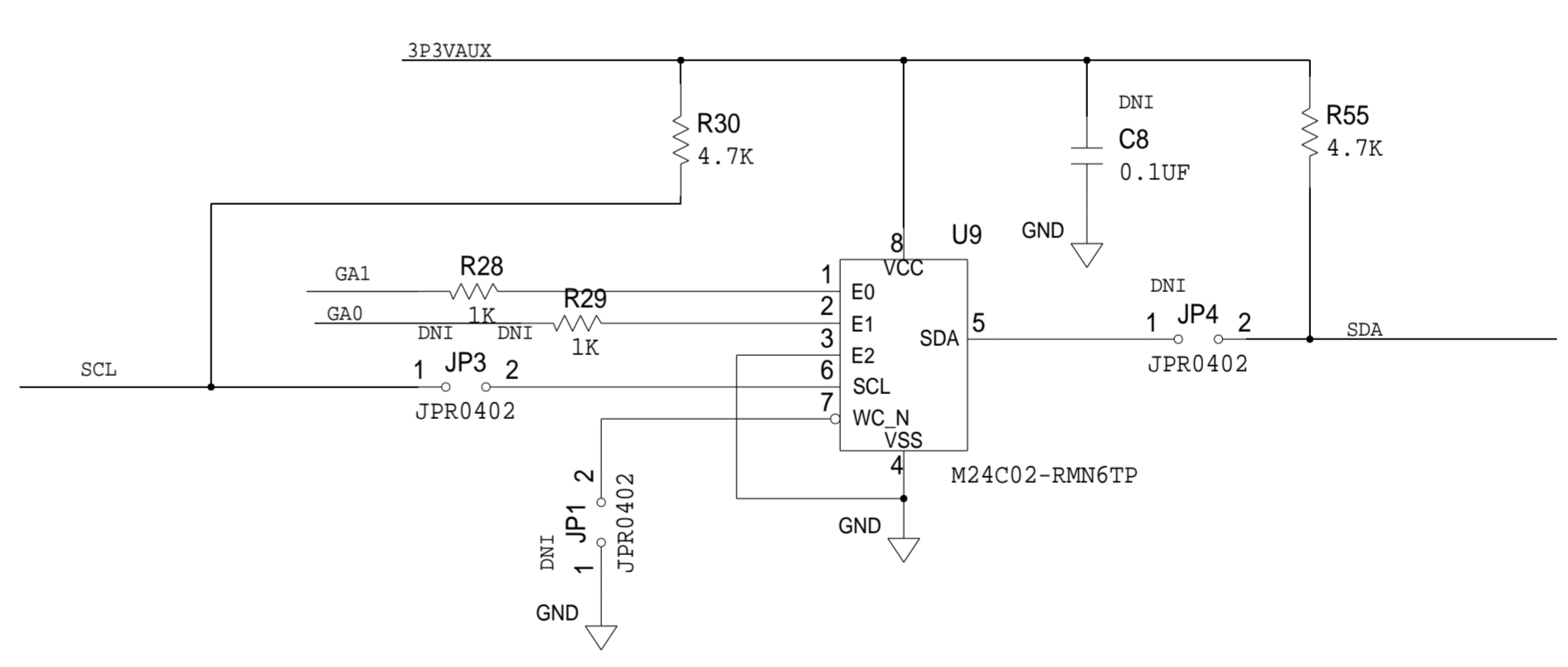
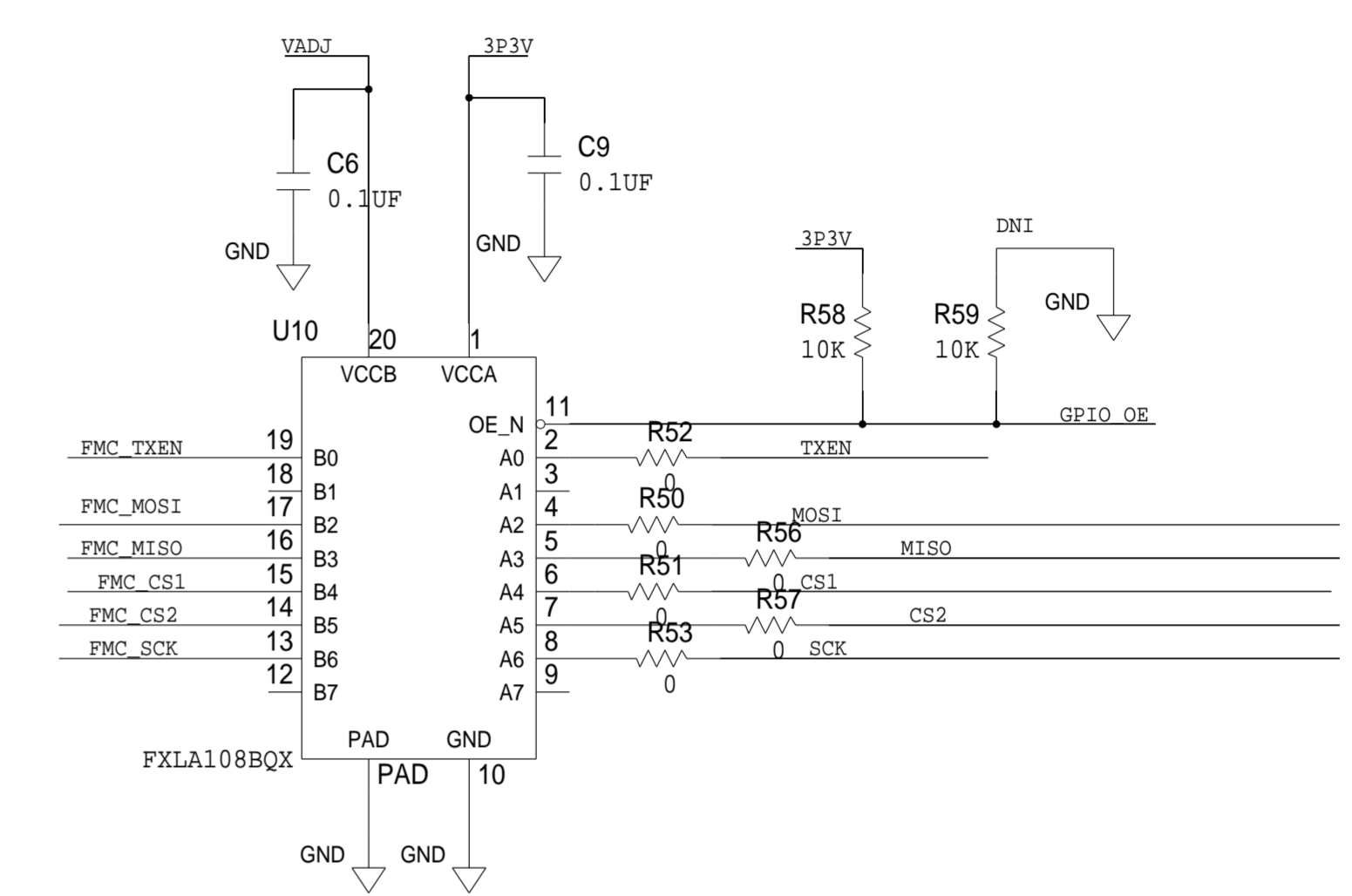
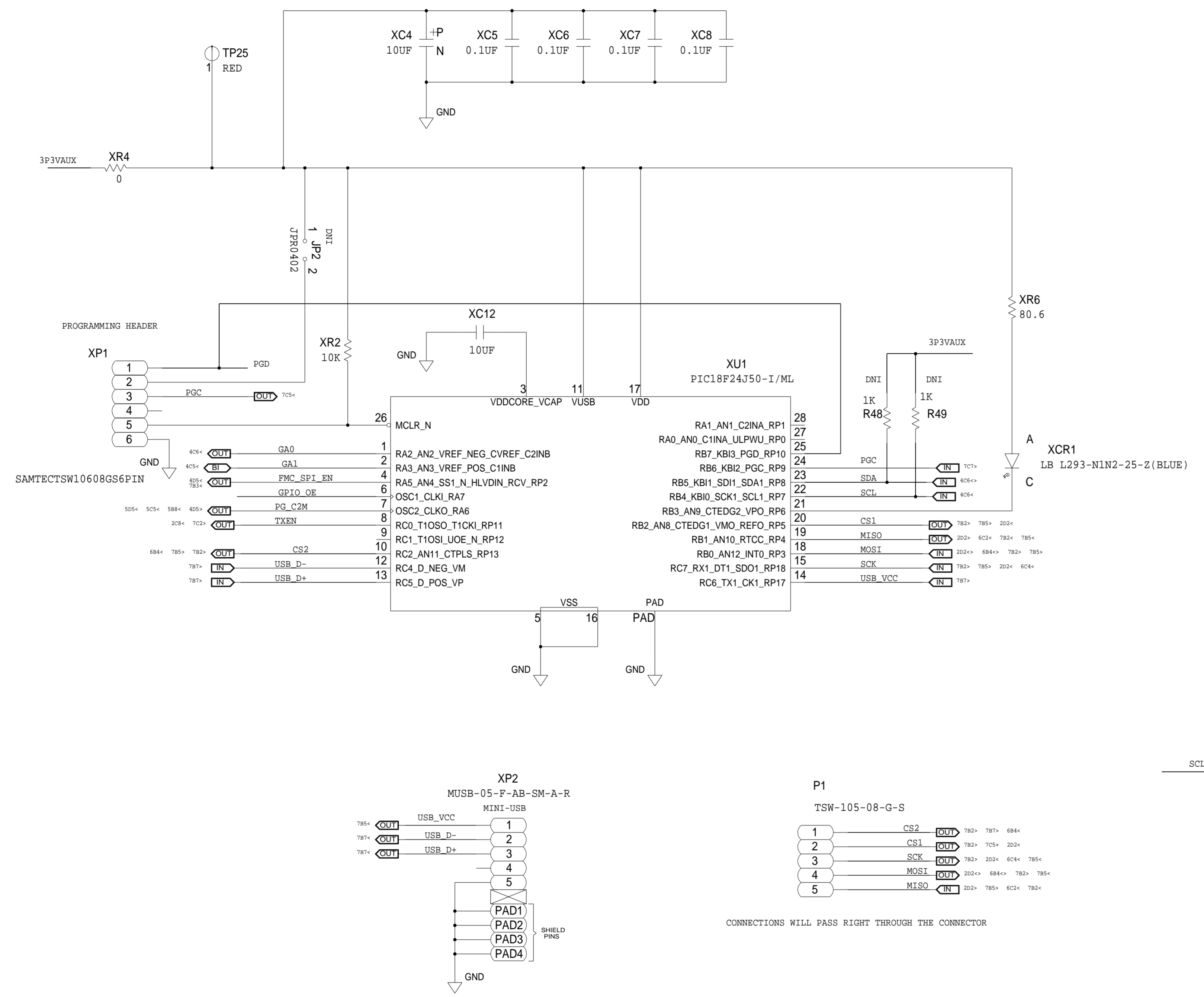
| | | | |
|--------------------------------|------------------------------------|--------------------|--------------|
| | SCHEMATIC | | |
| | AD9152 FMC EBZ AD9152 AD9152 | | |
| | POWER SUPPLY | | |
| | DESIGN VIEW <DESIGN_VIEW> | DRAWING NO. TBD | REV A |
| PTD ENGINEER <PTD_ENGINEER> | SIZE D | SCALE 1:1 | SHEET 5 OF 7 |

| REVISIONS | | | |
|-----------|-------------|------|----------|
| REV | DESCRIPTION | DATE | APPROVED |
| | | | |



| | | | |
|--------------|------------------------------------|----------|--------------------|
| | SCHEMATIC | | |
| | AD9152 FMC EBZ AD9152 AD9152 | | |
| | DESIGN VIEW <DESIGN_VIEW> | | DRAWING NO. TBD |
| | PTD ENGINEER <PTD_ENGINEER> | | SCALE 1:1 |
| SHEET 6 OF 7 | | REV A | |

| REVISIONS | | | |
|-----------|-------------|------|----------|
| REV | DESCRIPTION | DATE | APPROVED |
| | | | |



4-WIRE SPI VERSION

| | | | |
|--------------------------------|------------------------------------|--------------------|--------------|
| | SCHEMATIC | | |
| | AD9152 FMC EBZ AD9152 AD9152 | | |
| | USB CONTROLLER | | REV A |
| | DESIGN VIEW <DESIGN_VIEW> | DRAWING NO. TBD | SCALE 1:1 |
| PTD ENGINEER <PTD_ENGINEER> | SIZE D | SHEET 7 OF 7 | |