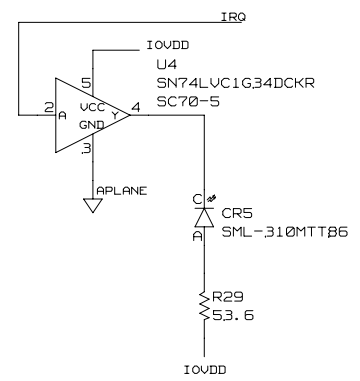
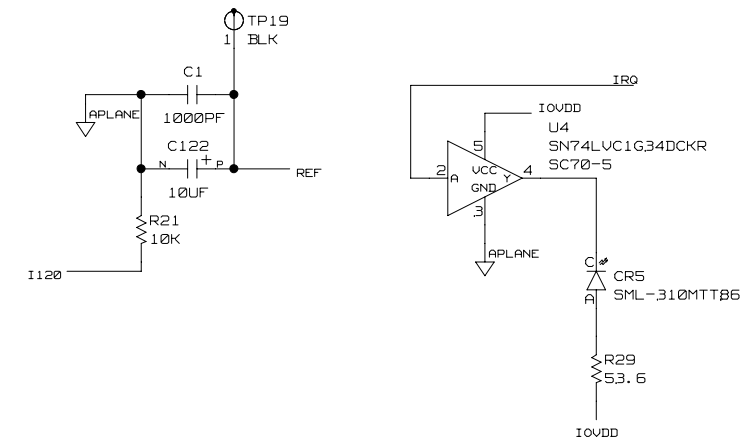
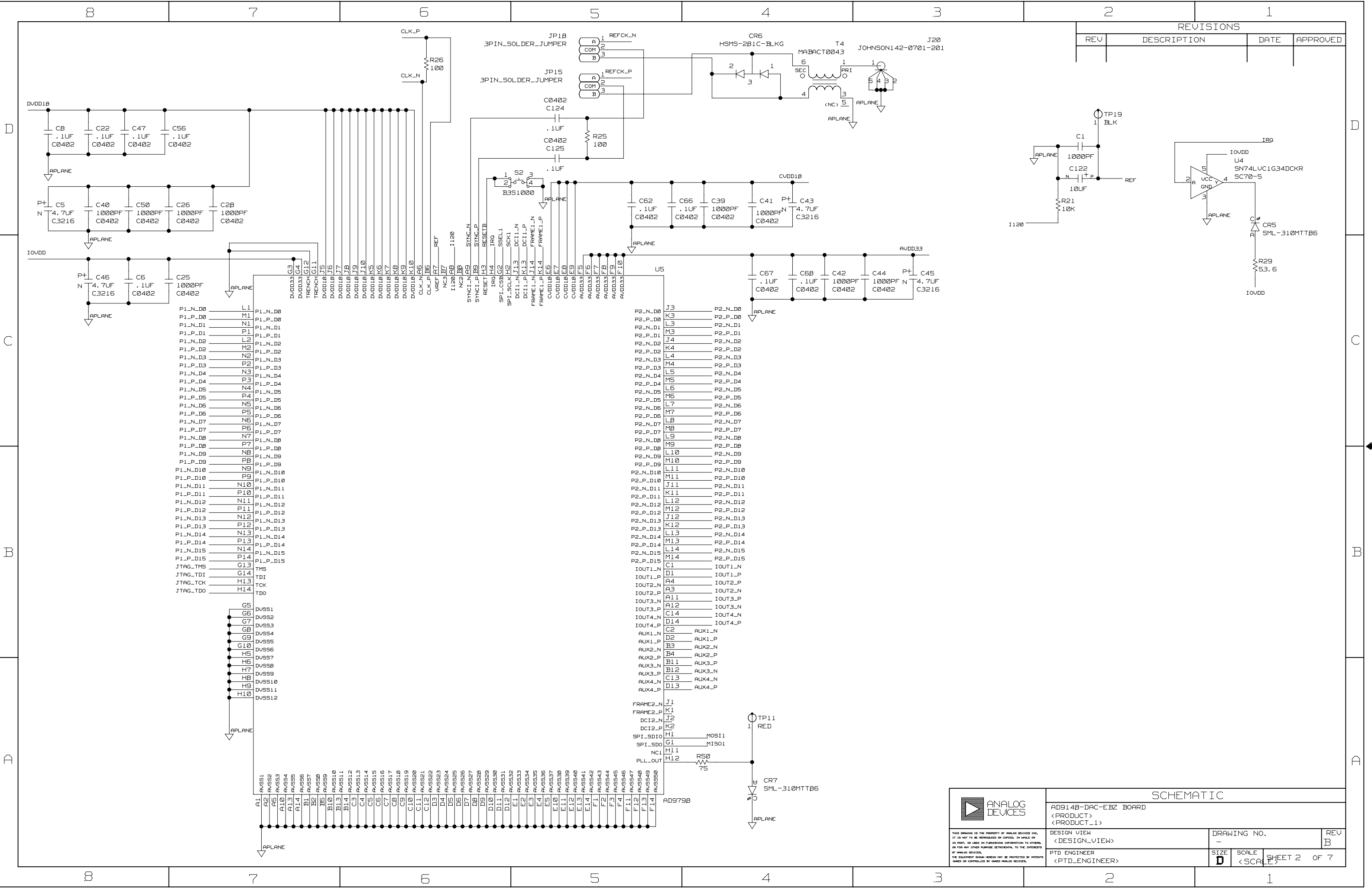


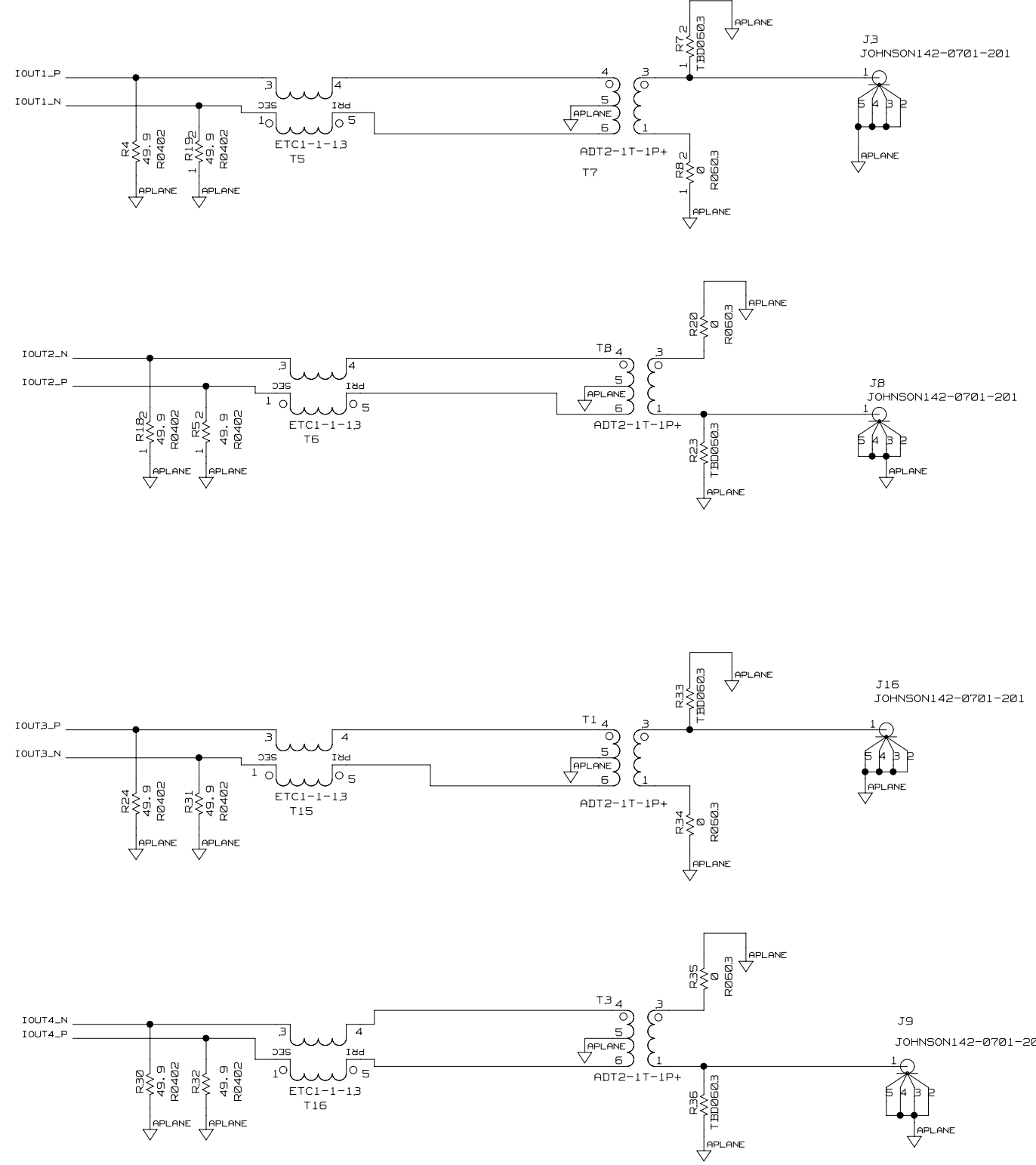
REVISIONS			
REV	DESCRIPTION	DATE	APPROVED



	SCHEMATIC	
	AD9148-DAC-EZ BOARD <PRODUCT> <PRODUCT_1>	
DESIGN VIEW <DESIGN-VIEW>	DRAWING NO. -	REV B
PTD ENGINEER <PTD_ENGINEER>	SIZE D	SCALE <SCALE>
		SHEET 2 OF 7

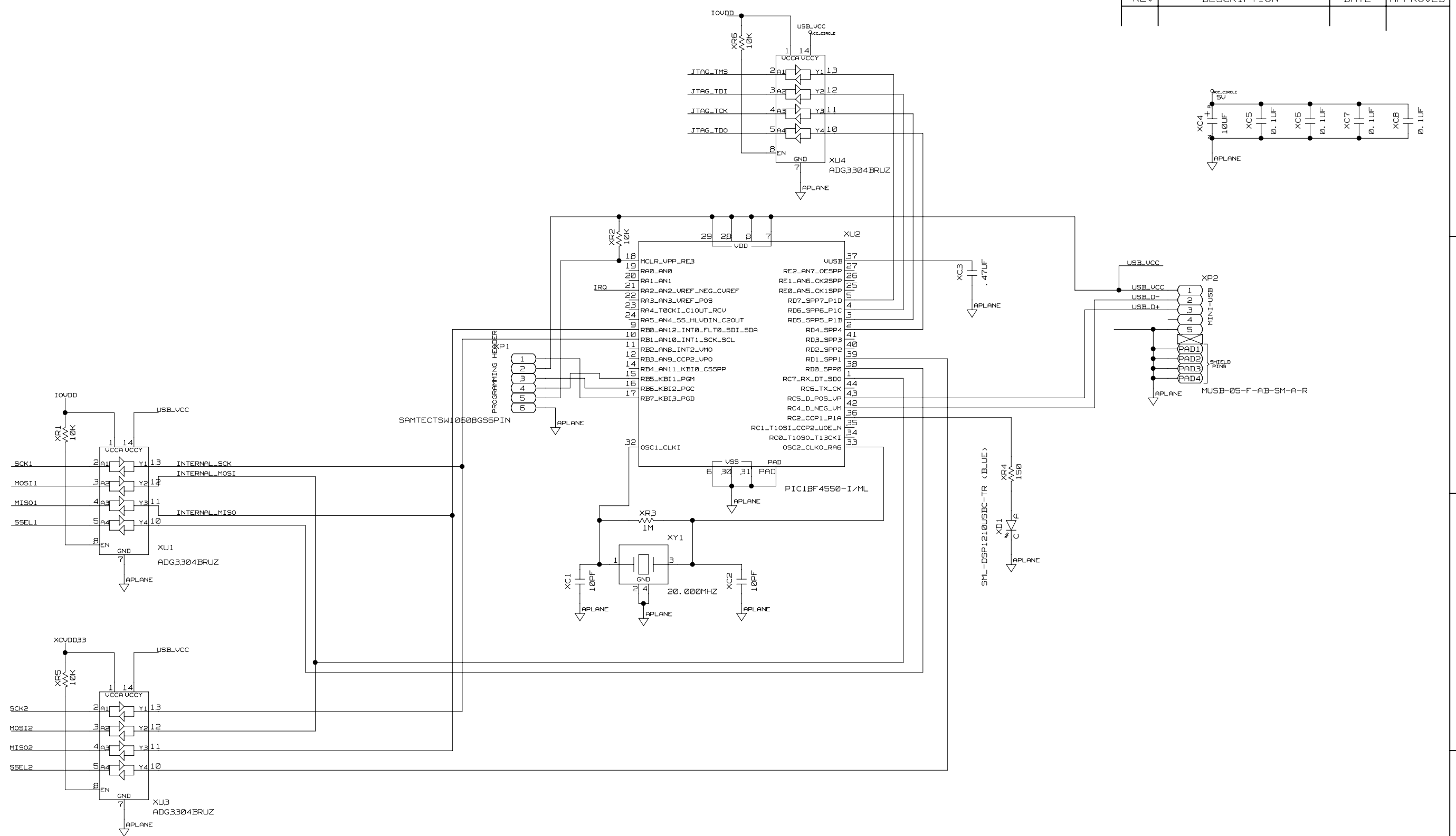
THIS DRAWING IS THE PROPERTY OF ANALOG DEVICES INC. IT IS NOT TO BE REPRODUCED OR COPIED, IN WHOLE OR IN PART, OR USED IN FURNISHING INFORMATION TO OTHERS, OR FOR ANY OTHER PURPOSE DETRIMENTAL TO THE INTERESTS OF ANALOG DEVICES. THE EQUIPMENT FROM WHICH THIS MAY BE PROTECTED BY PATENTS OWNED OR CONTROLLED BY ANALOG DEVICES.

REVISIONS			
REV	DESCRIPTION	DATE	APPROVED



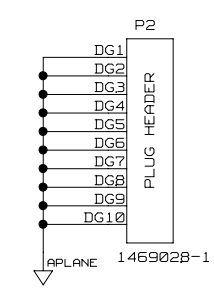
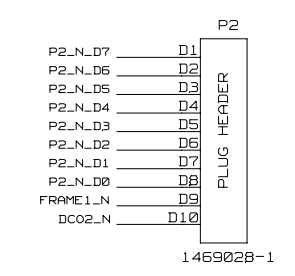
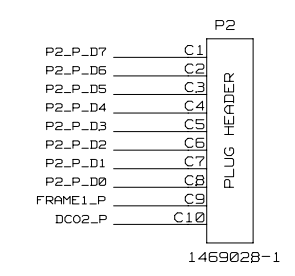
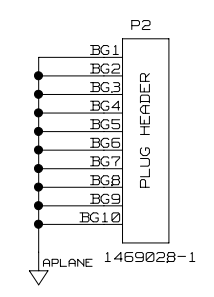
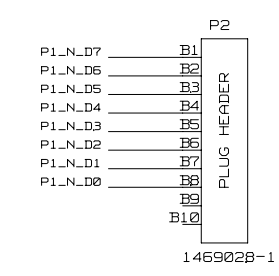
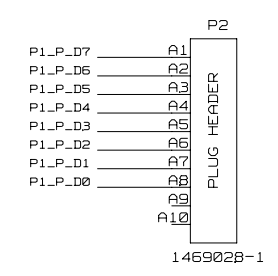
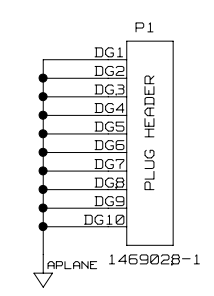
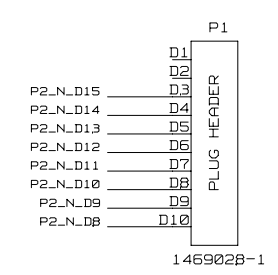
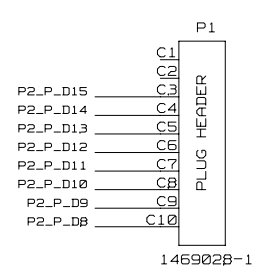
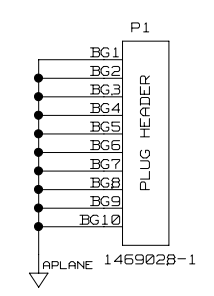
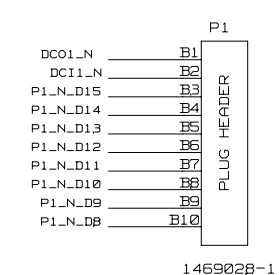
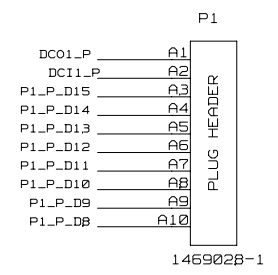
	SCHEMATIC		
	AD9148-DAC-EBZ BOARD <PRODUCT> <PRODUCT_1>		
<small>THIS DRAWING IS THE PROPERTY OF ANALOG DEVICES INC. IT IS NOT TO BE REPRODUCED OR COPIED, IN WHOLE OR IN PART, OR USED IN FURNISHING INFORMATION TO OTHERS, OR FOR ANY OTHER PURPOSE DETRIMENTAL TO THE INTERESTS OF ANALOG DEVICES. THE EQUIPMENT FROM WHICH THIS DRAWING WAS OBTAINED OR CONTROLLED BY ANALOG DEVICES.</small>	DESIGN VIEW <DESIGN_VIEW>	DRAWING NO. -	REV B
	PTD ENGINEER <PTD_ENGINEER>	SIZE D	SCALE <SCALE>

REVISIONS			
REV	DESCRIPTION	DATE	APPROVED



	SCHEMATIC		
	AD9148-DAC-EBZ BOARD		
	<PRODUCT>		
	<PRODUCT_1>		
DESIGN VIEW	DRAWING NO.	REV	
<DESIGN_VIEW>	-	B	
PTD ENGINEER	SIZE	SCALE	
<PTD_ENGINEER>	D	<SCALE>	
		SHEET 4 OF 7	

REVISIONS			
REV	DESCRIPTION	DATE	APPROVED



	SCHEMATIC		
	AD914B-DAC-EBZ BOARD		
	<PRODUCT>		
	<PRODUCT_1>		
DESIGN VIEW	DRAWING NO.	REV	
<DESIGN_VIEW>	-	B	
PTD ENGINEER	SIZE	SHEET 5 OF 7	
<PTD_ENGINEER>	D	E	

REVISIONS			
REV	DESCRIPTION	DATE	APPROVED

8 7 6 5 4 3 2 1

D

D

C

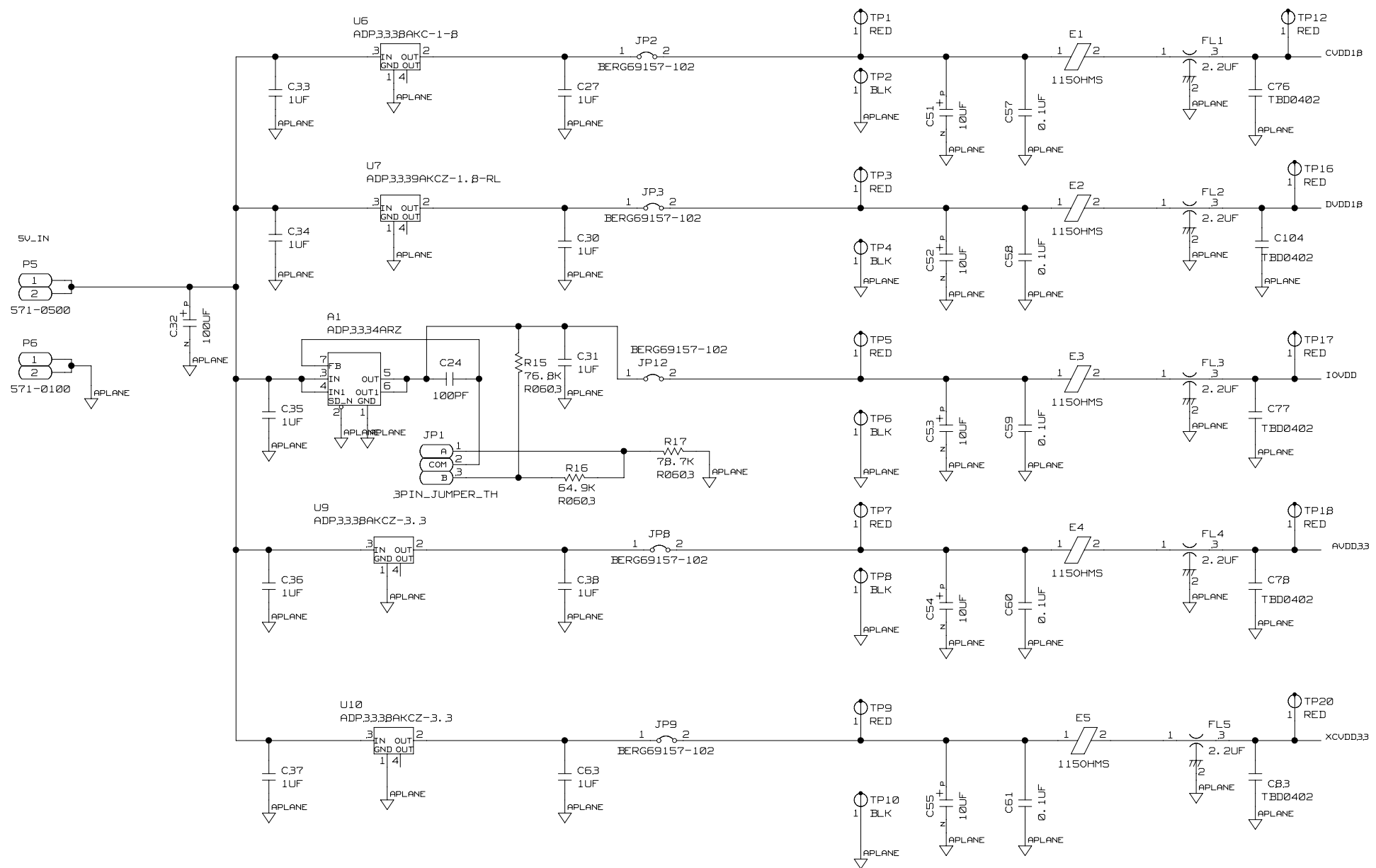
C

B

B

A

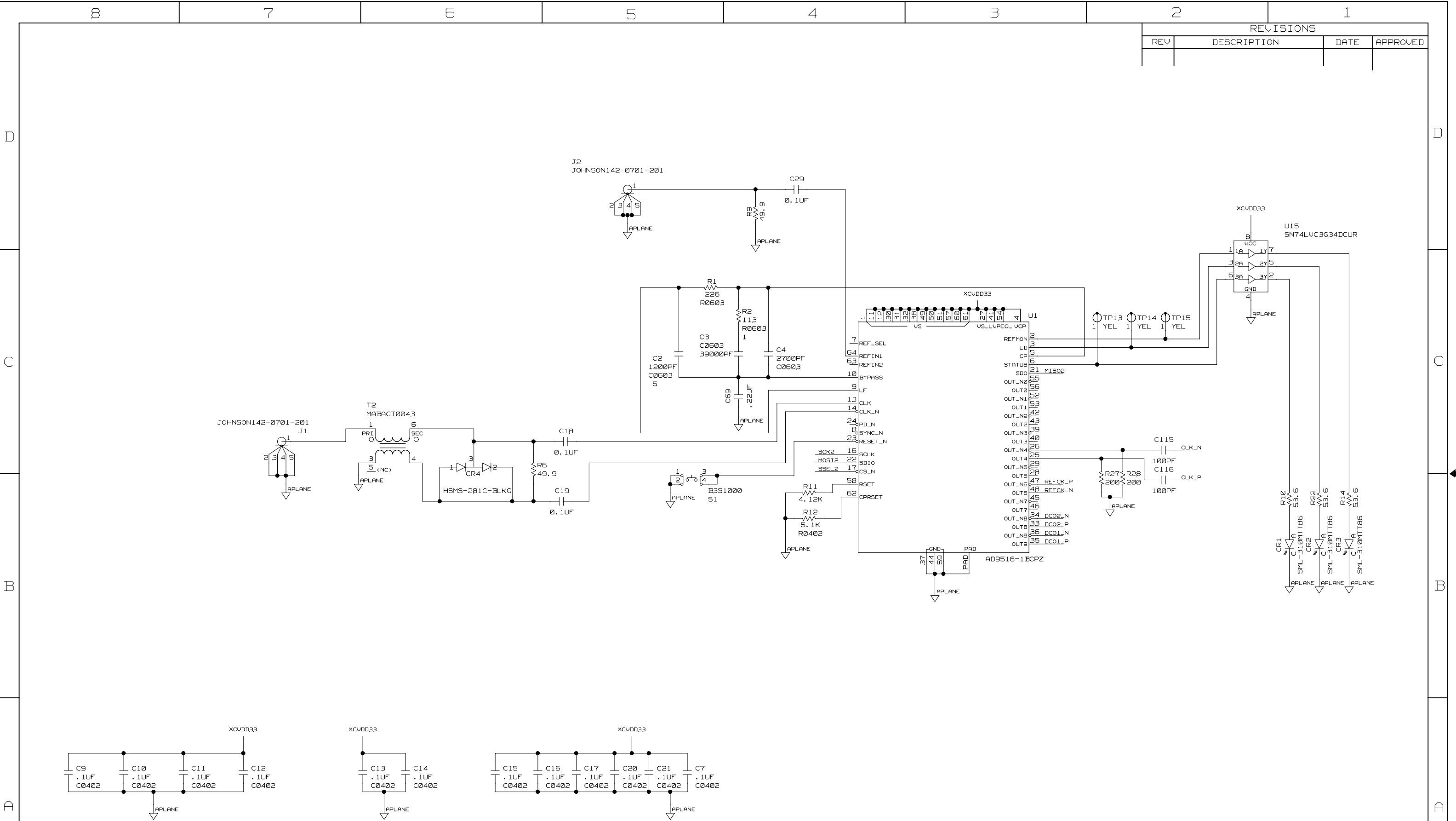
A



	SCHEMATIC		
	AD9148-DAC-EBZ BOARD		
	<PRODUCT> <PRODUCT_1>		
DESIGN VIEW <DESIGN_VIEW>	DRAWING NO. -	REV B	
PTD ENGINEER <PTD_ENGINEER>	SIZE D	SCALE <SCALE>	SHEET 6 OF 7

8 7 6 5 4 3 2 1

REVISIONS			
REV	DESCRIPTION	DATE	APPROVED



	SCHEMATIC		
	AD9148-DAC-EBZ BOARD		
	<PRODUCT>		
	<PRODUCT_1>		
<small>THIS DRAWING IS THE PROPERTY OF ANALOG DEVICES INC. IT IS NOT TO BE REPRODUCED OR COPIED, IN WHOLE OR IN PART, OR USED IN FURNISHING INFORMATION TO OTHERS, OR FOR ANY OTHER PURPOSE DETRIMENTAL TO THE INTERESTS OF ANALOG DEVICES. THE EQUIPMENT FROM WHICH THIS MAY BE PROTECTED BY PATENTS OWNED OR CONTROLLED BY ANALOG DEVICES.</small>	DESIGN VIEW <DESIGN_VIEW>	DRAWING NO. -	REV B
PTD ENGINEER <PTD_ENGINEER>	SIZE D	SCALE <SCALE>	SHEET 7 OF 7