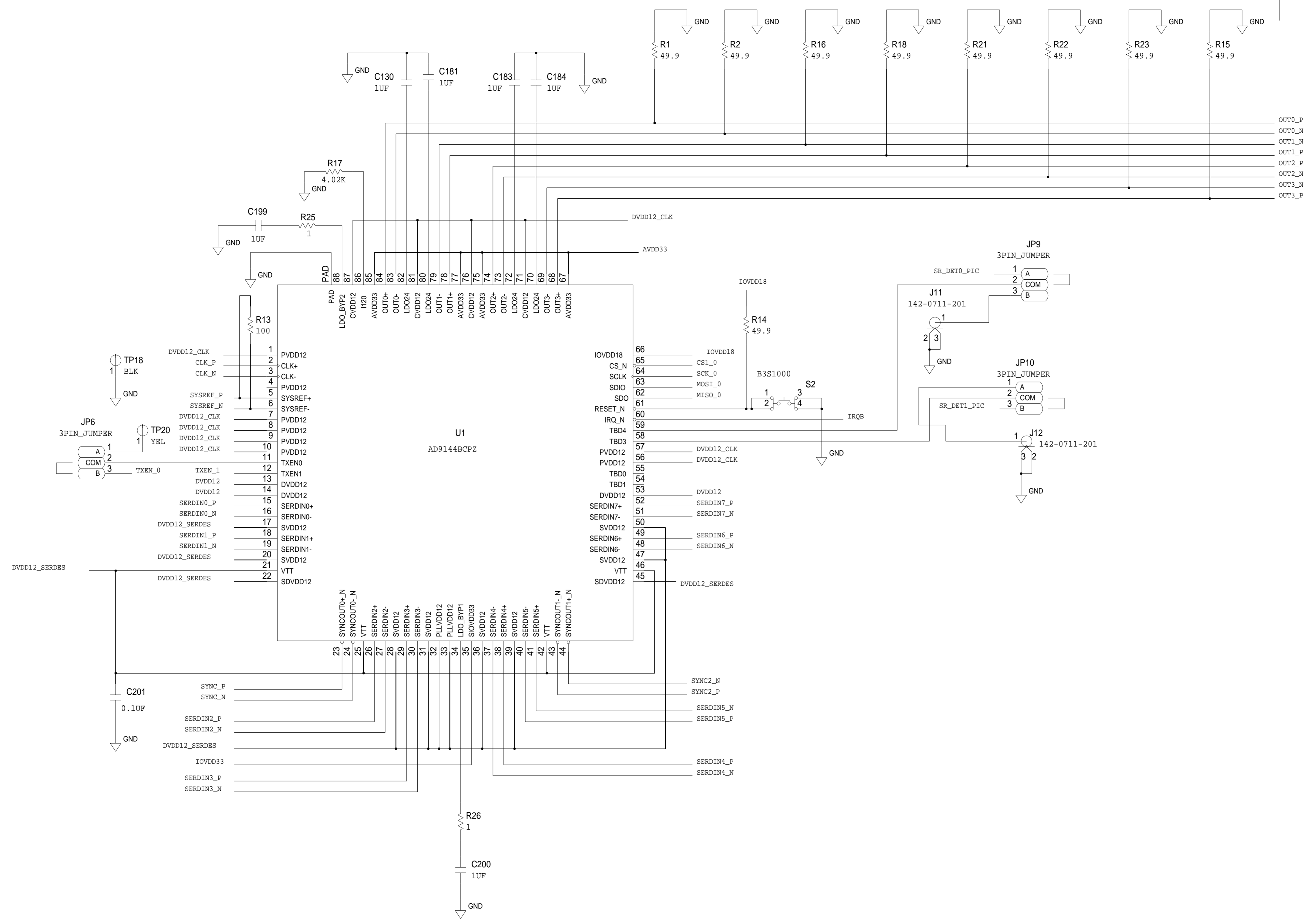


REVISIONS			
REV	DESCRIPTION	DATE	APPROVED

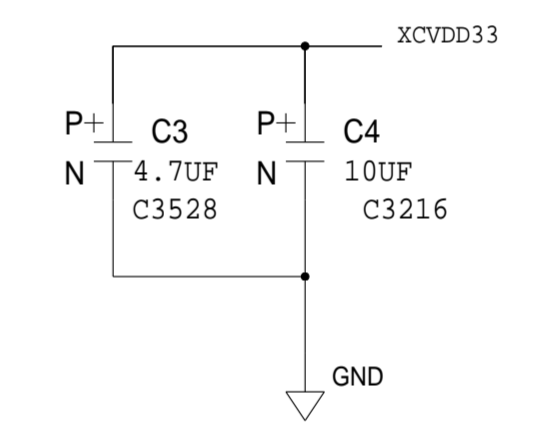
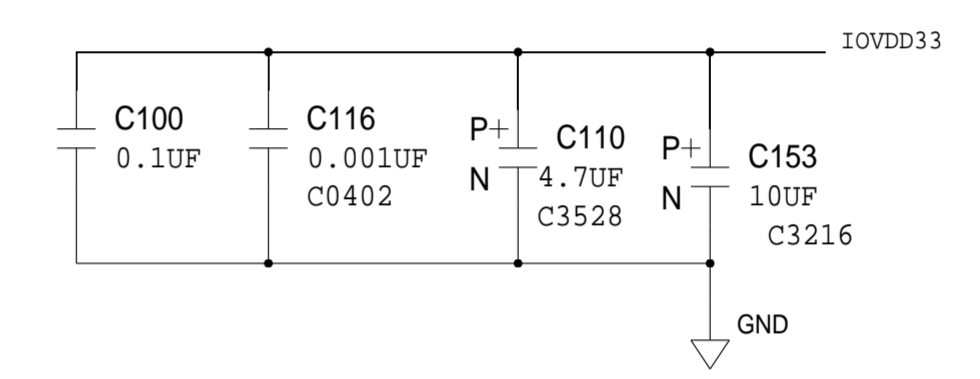
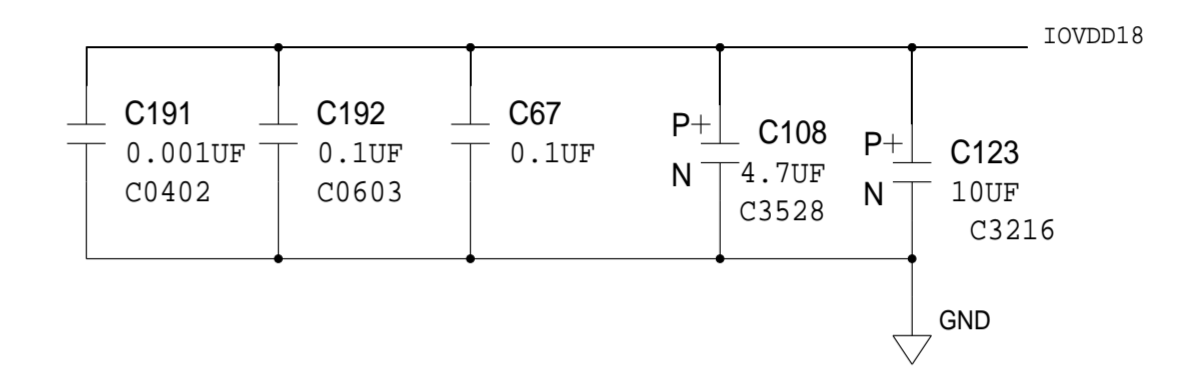
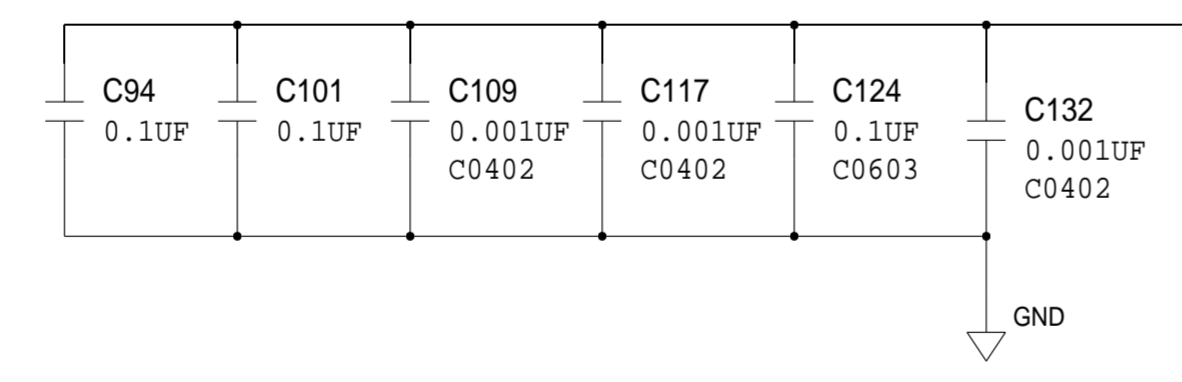
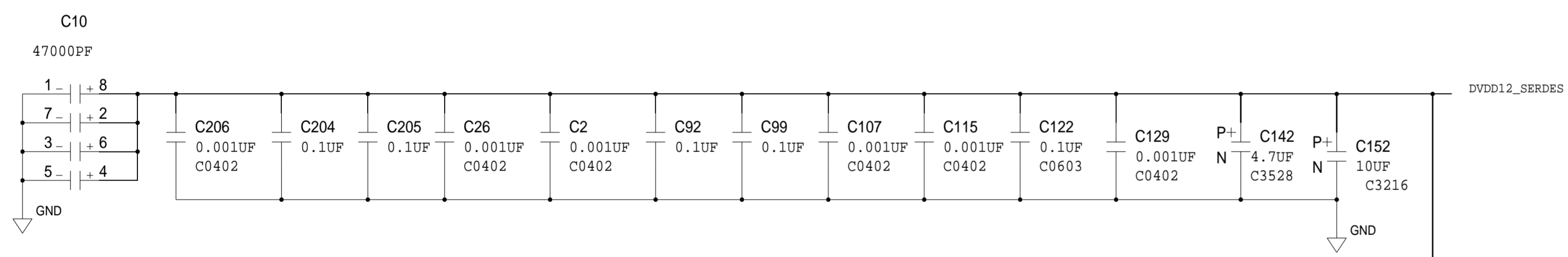
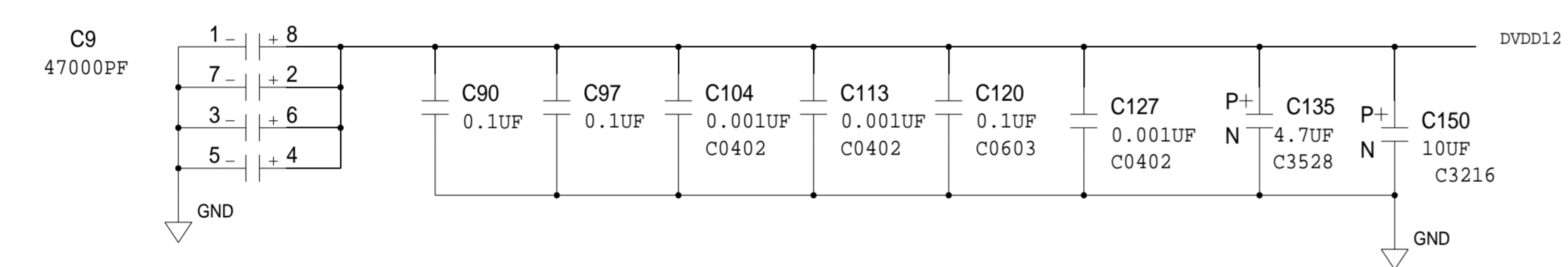
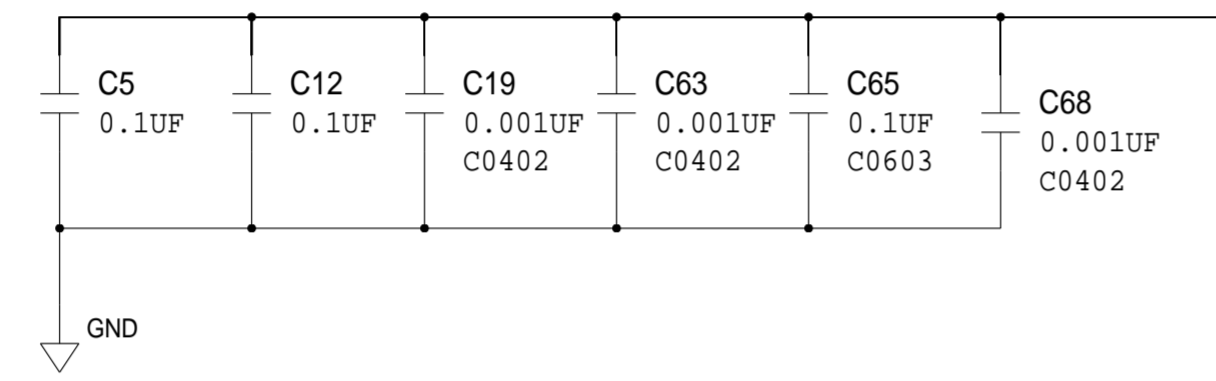
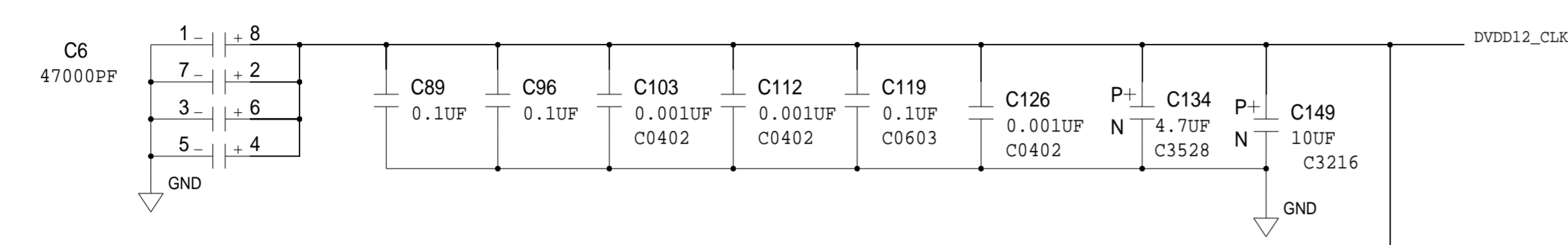
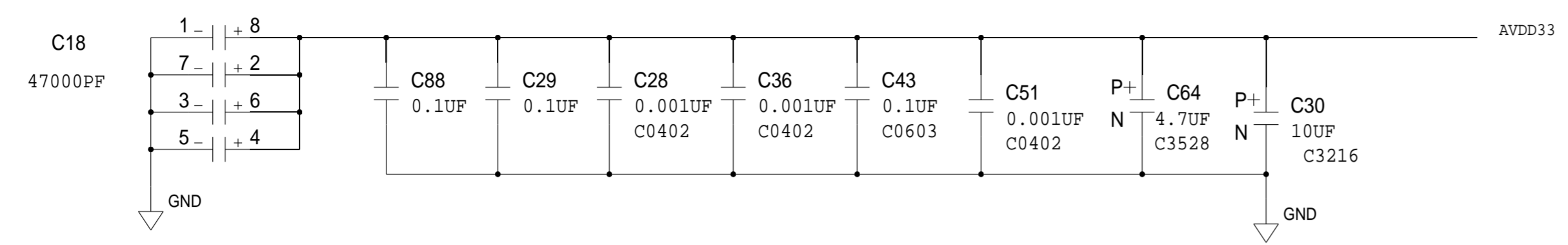


	SCHEMATIC		
	AD9144 / ADRF6720		
DESIGN VIEW <DESIGN_VIEW>	DRAWING NO. HSC 13016	REV C	
PTD ENGINEER <PTD_ENGINEER>	SIZE D	SCALE <SCALE>	SHEET 2 OF 11

D
C
B
A

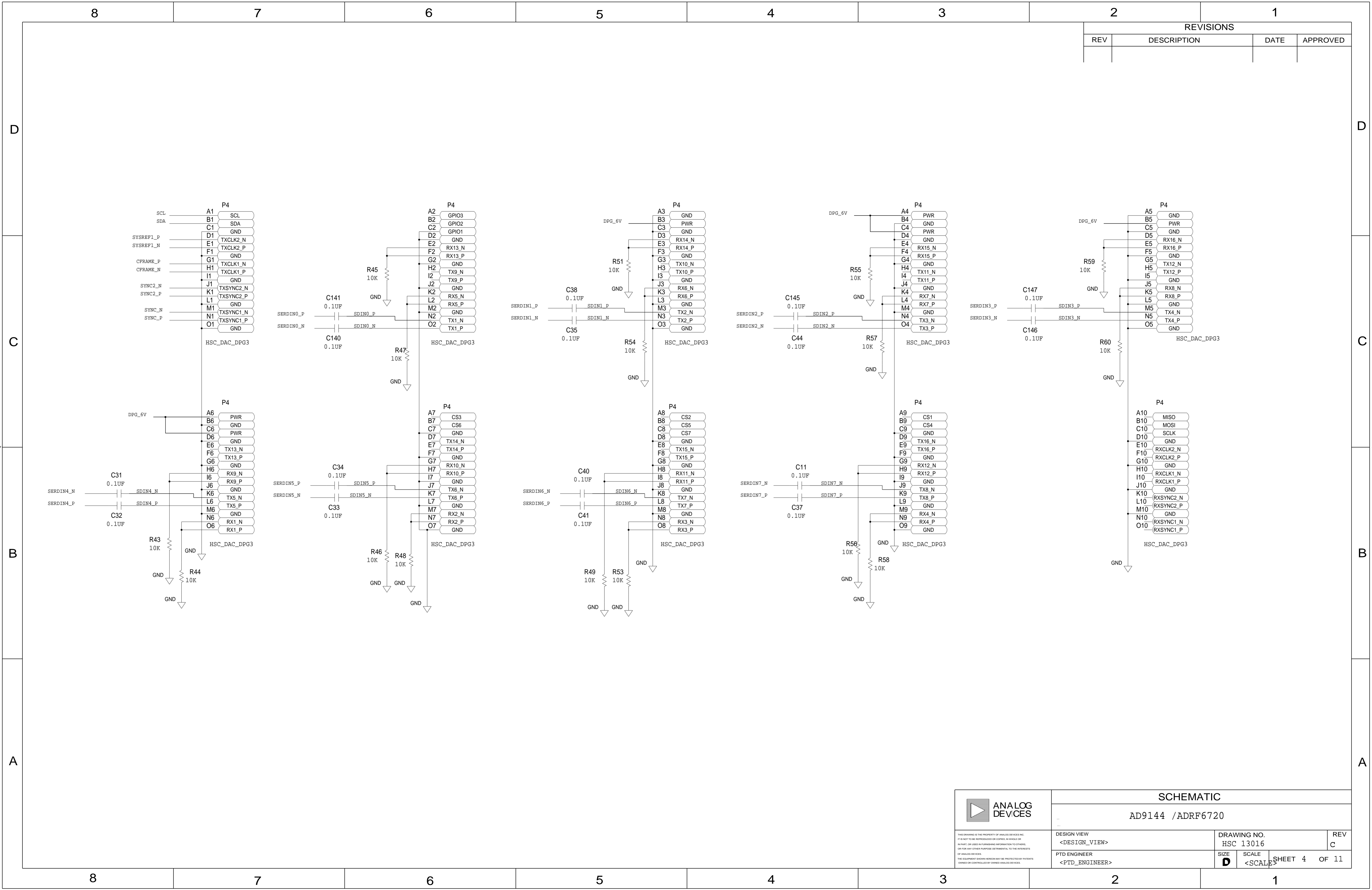
D
C
B
A

REVISIONS			
REV	DESCRIPTION	DATE	APPROVED



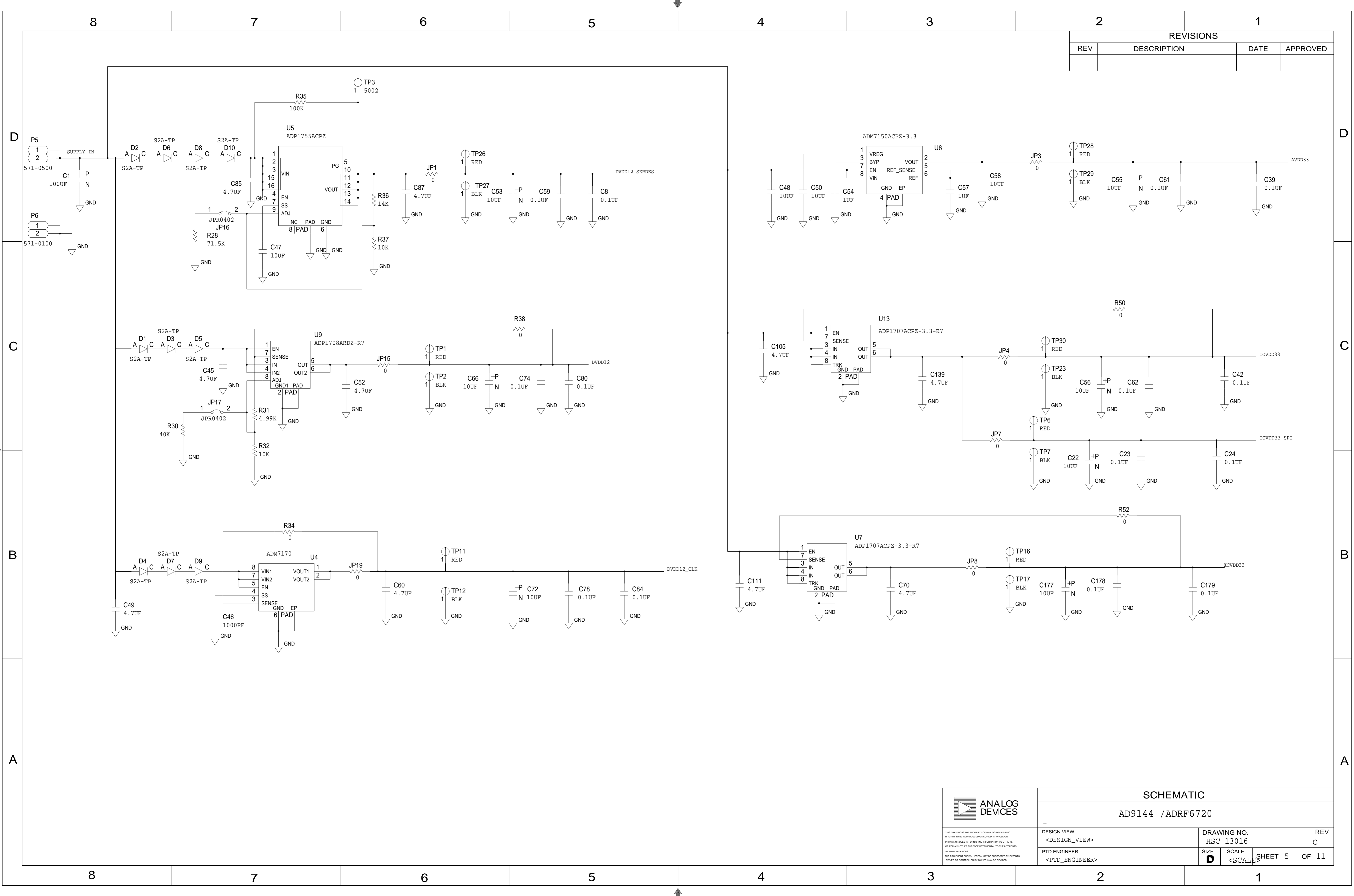
	SCHEMATIC		
	AD9144 / ADRF6720		
	DESIGN VIEW <DESIGN_VIEW>	DRAWING NO. HSC 13016	REV C
	PTD ENGINEER <PTD_ENGINEER>	SIZE D	SCALE <SCALE>

REVISIONS			
REV	DESCRIPTION	DATE	APPROVED



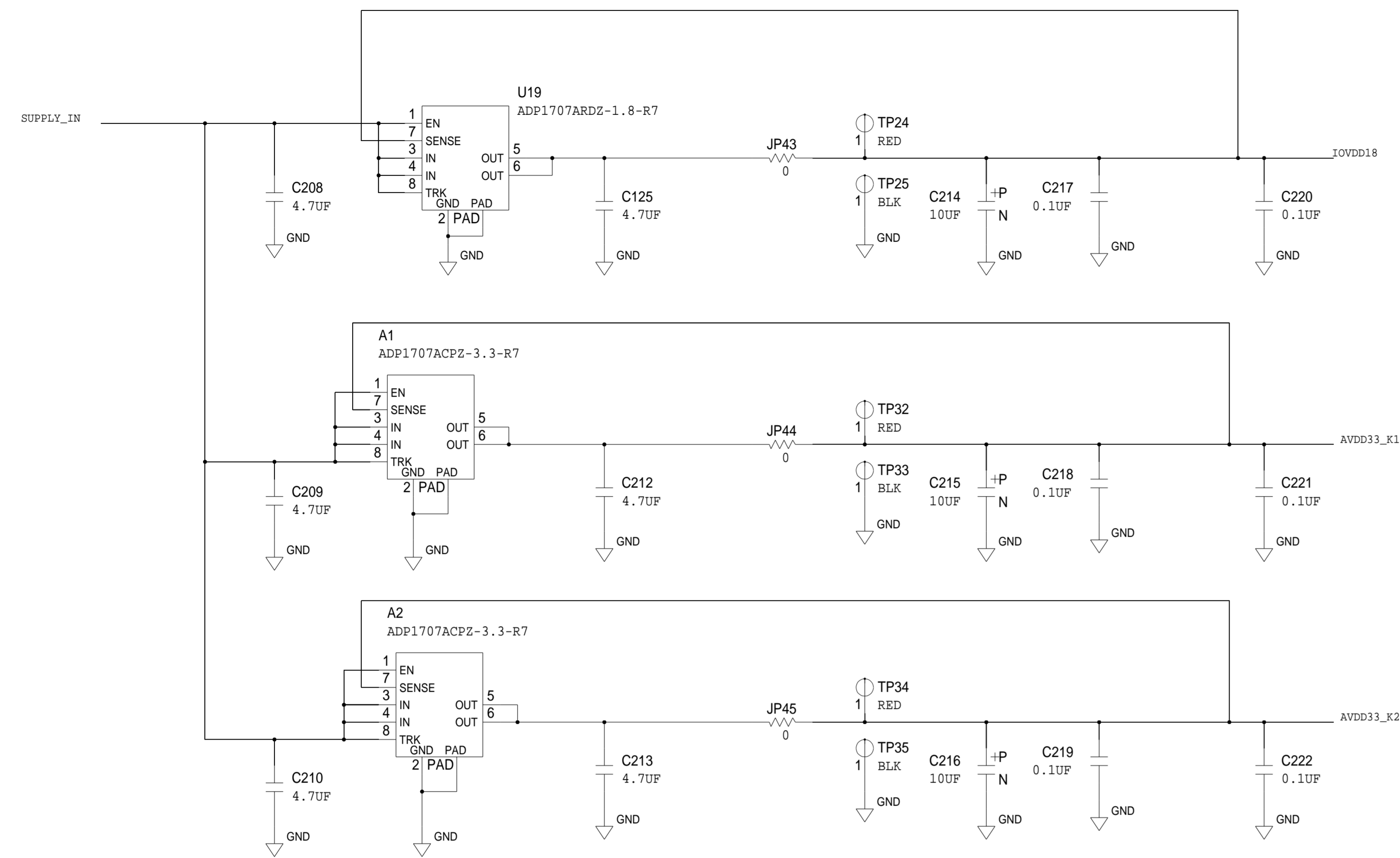
	SCHEMATIC		
	AD9144 /ADRF6720		
DESIGN VIEW <DESIGN_VIEW>	DRAWING NO. HSC 13016	REV C	
PTD ENGINEER <PTD_ENGINEER>	SIZE D	SCALE <SCALE>	SHEET 4 OF 11

REVISIONS			
REV	DESCRIPTION	DATE	APPROVED



	SCHEMATIC		
	AD9144 / ADRF6720		
	DESIGN VIEW <DESIGN_VIEW>	DRAWING NO. HSC 13016	REV C
	PTD ENGINEER <PTD_ENGINEER>	SCALE D	SHEET 5 OF 11

REVISIONS			
REV	DESCRIPTION	DATE	APPROVED

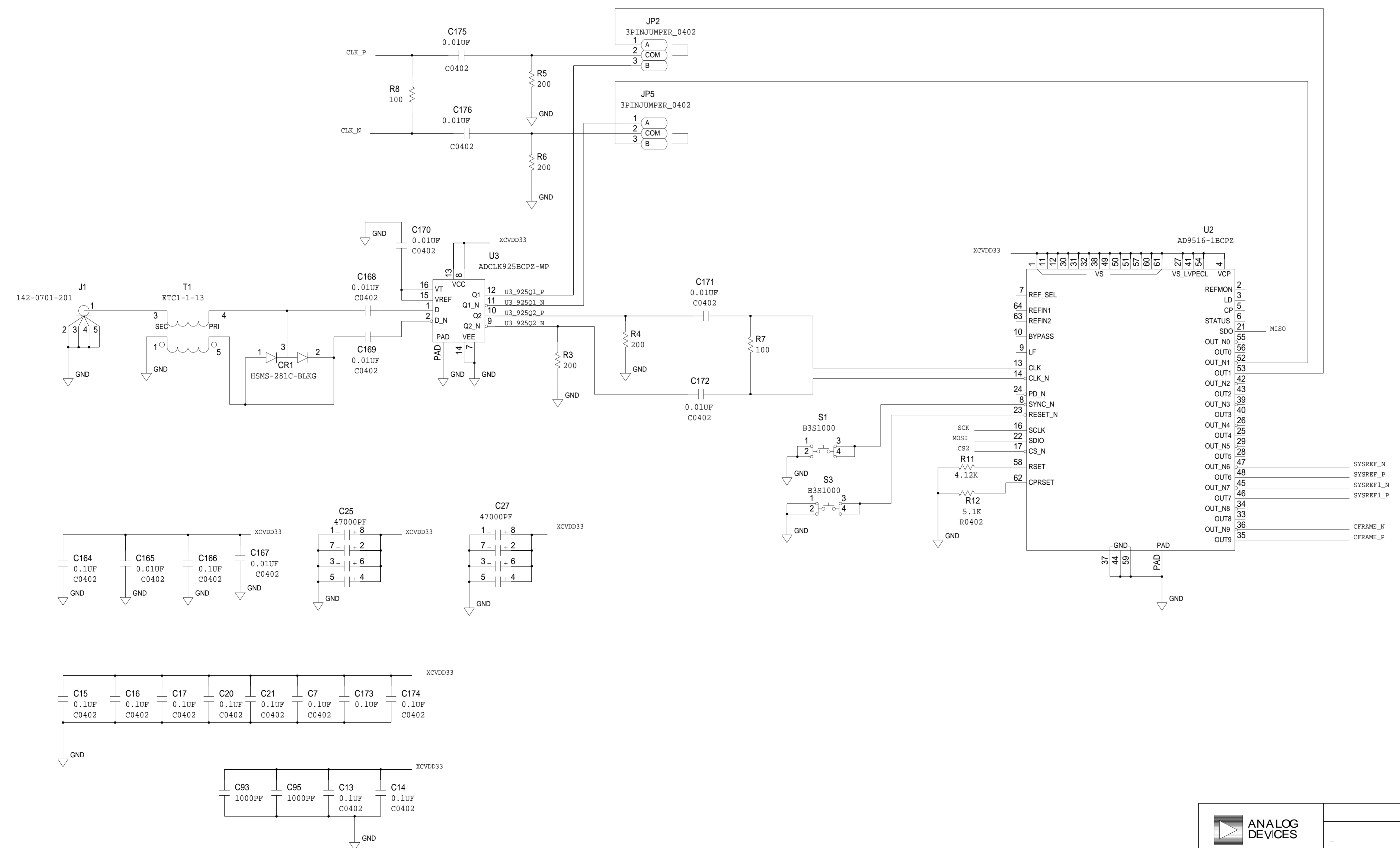


	SCHEMATIC		
	AD9144 / ADRF6720		
	DESIGN VIEW <DESIGN_VIEW>	DRAWING NO. HSC 13016	REV C
	PTD ENGINEER <PTD_ENGINEER>	SIZE D	SCALE <SCALE>

SHEET 6 OF 11

REVISIONS			
REV	DESCRIPTION	DATE	APPROVED

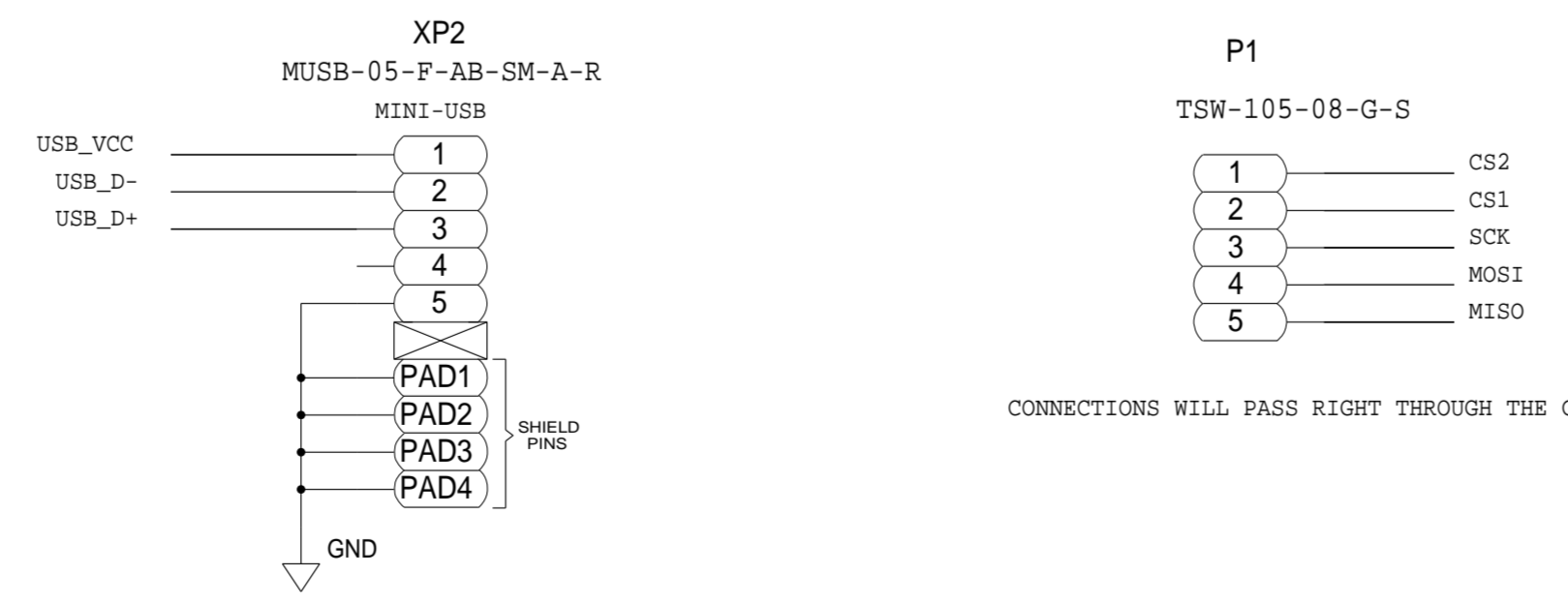
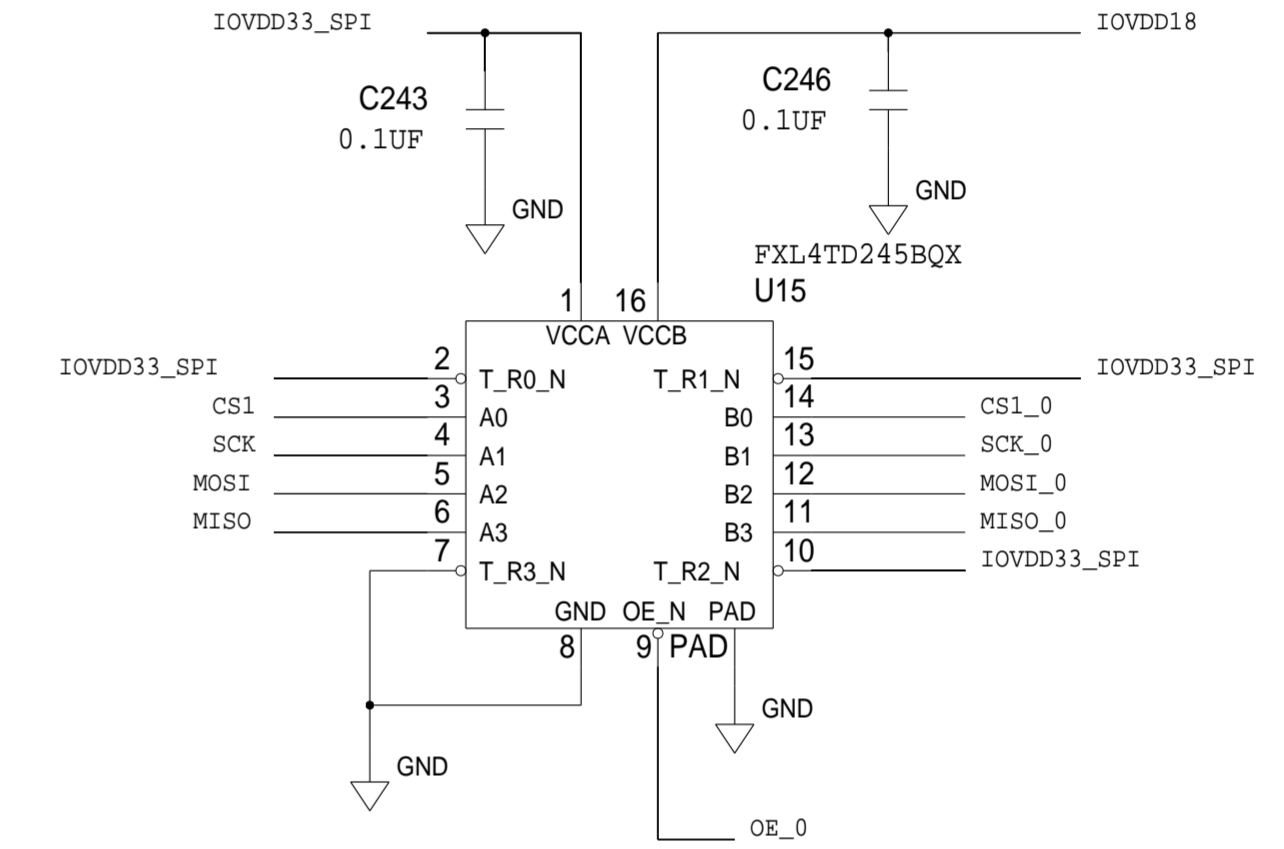
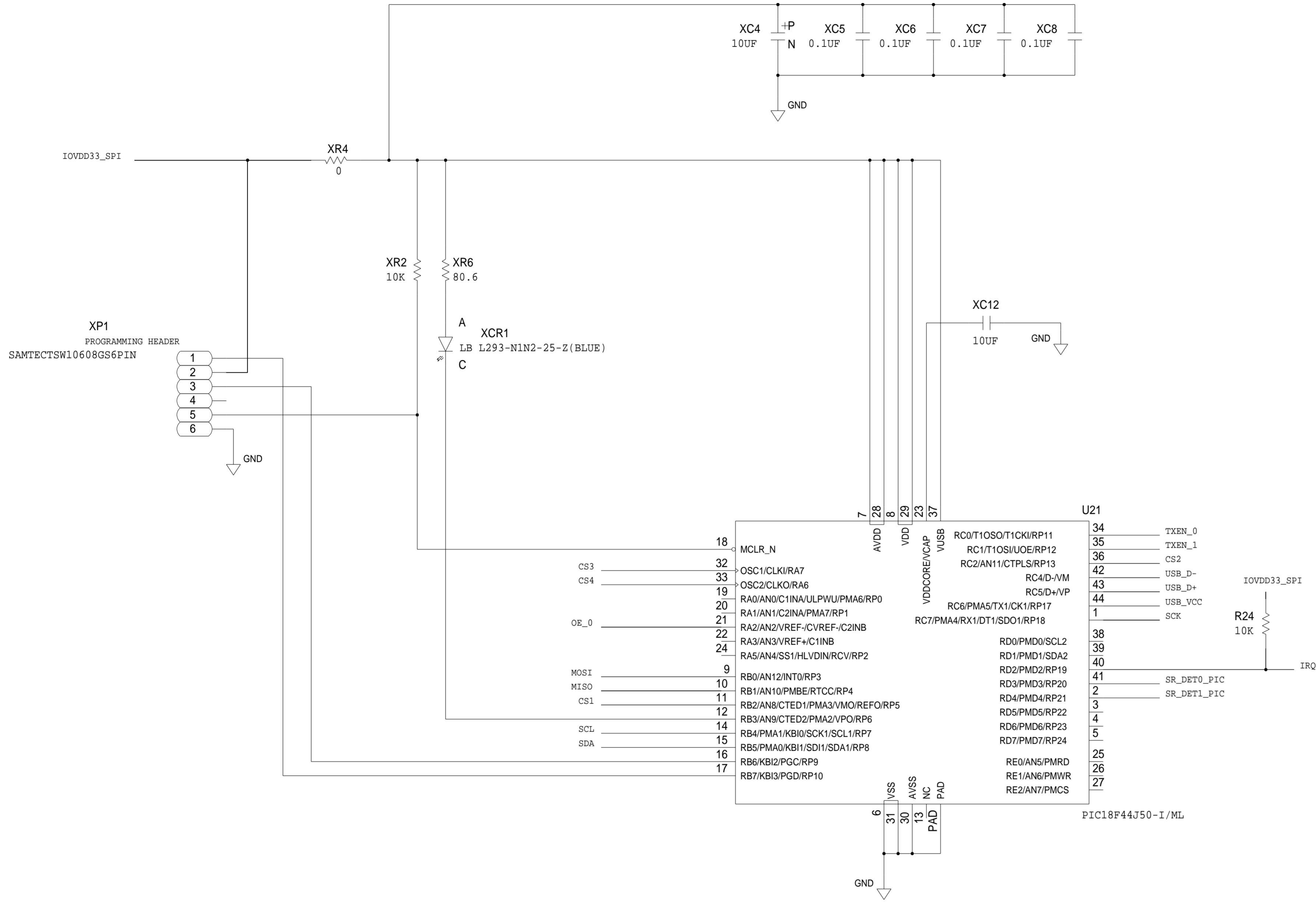
THESE JUMPERS WILL BE CONNECTED VIA SOLDER JUMPER



	SCHEMATIC		
	AD9144 / ADRF6720		
DESIGN VIEW <DESIGN_VIEW>	DRAWING NO. HSC 13016	REV C	
PTD ENGINEER <PTD_ENGINEER>	SIZE D	SCALE <SCALE>	SHEET 7 OF 11

THIS DRAWING IS THE PROPERTY OF ANALOG DEVICES INC. IT IS NOT TO BE REPRODUCED OR COPIED IN WHOLE OR IN PART, OR USED IN FURNISHING INFORMATION TO OTHERS, OR FOR ANY OTHER PURPOSE DETRIMENTAL TO THE INTERESTS OF ANALOG DEVICES. THE EQUIPMENT SHOWN HEREON MAY BE PROTECTED BY PATENTS OWNED OR CONTROLLED BY ANALOG DEVICES.

REVISIONS			
REV	DESCRIPTION	DATE	APPROVED

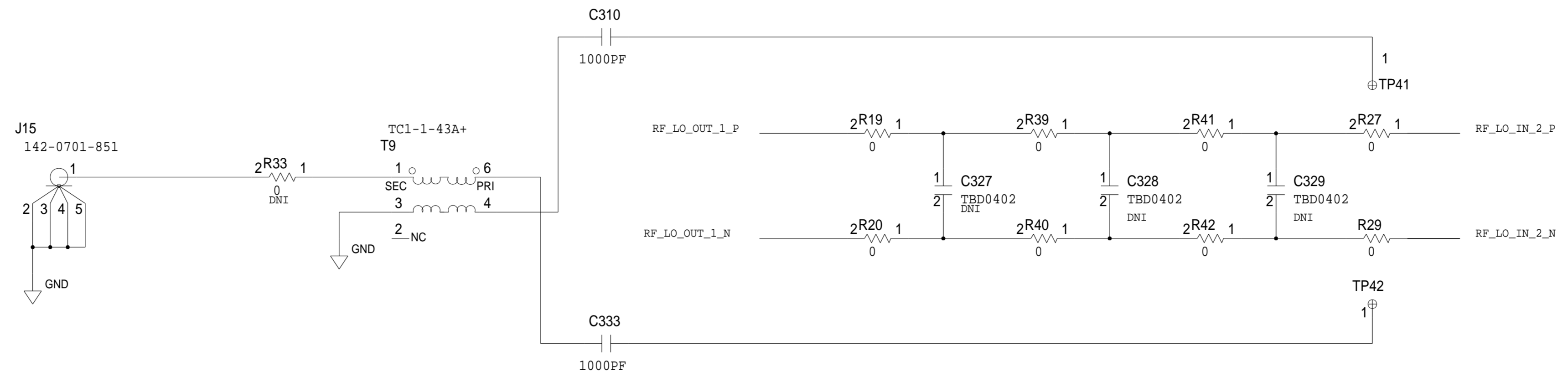


4-WIRE SPI VERSION

SCHEMATIC			
AD9144 /ADRF6720			
DESIGN VIEW <DESIGN_VIEW>	DRAWING NO. HSC 13016	REV C	
PTD ENGINEER <PTD_ENGINEER>	SIZE D	SCALE <SCALE>	SHEET 8 OF 11

THIS DRAWING IS THE PROPERTY OF ANALOG DEVICES INC. IT IS NOT TO BE REPRODUCED OR COPIED, IN WHOLE OR IN PART, OR USED IN ANY MANNER FOR THE PURPOSES OF REPRODUCING INFORMATION TO OTHERS, OR FOR ANY OTHER PURPOSE DETRIMENTAL TO THE INTERESTS OF ANALOG DEVICES. THE EQUIPMENT SHOWN HEREIN MAY BE PROTECTED BY PATENTS OWNED OR CONTROLLED BY ANALOG DEVICES.

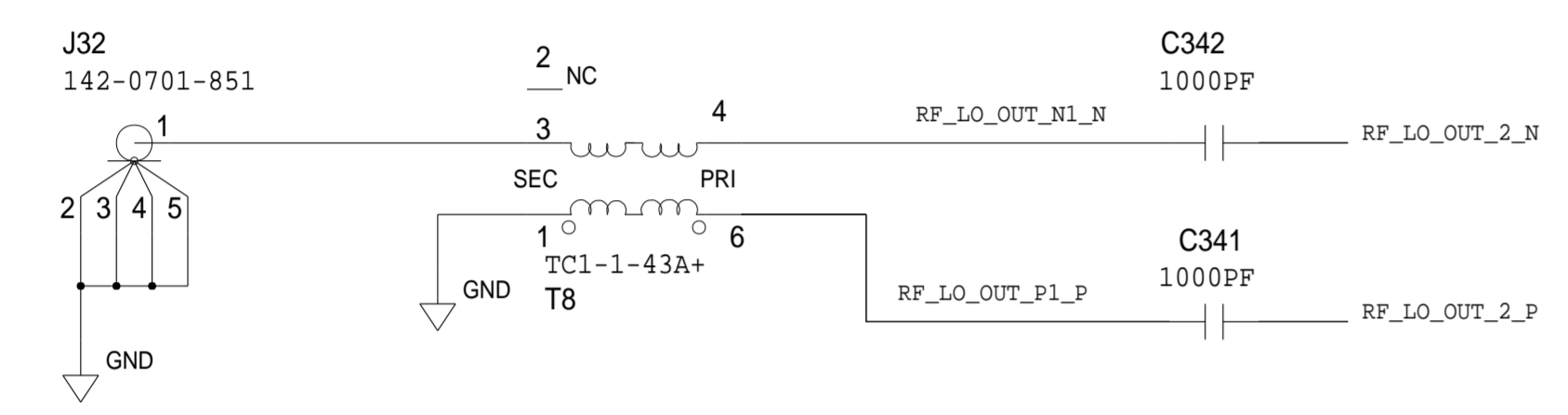
REVISIONS			
REV	DESCRIPTION	DATE	APPROVED



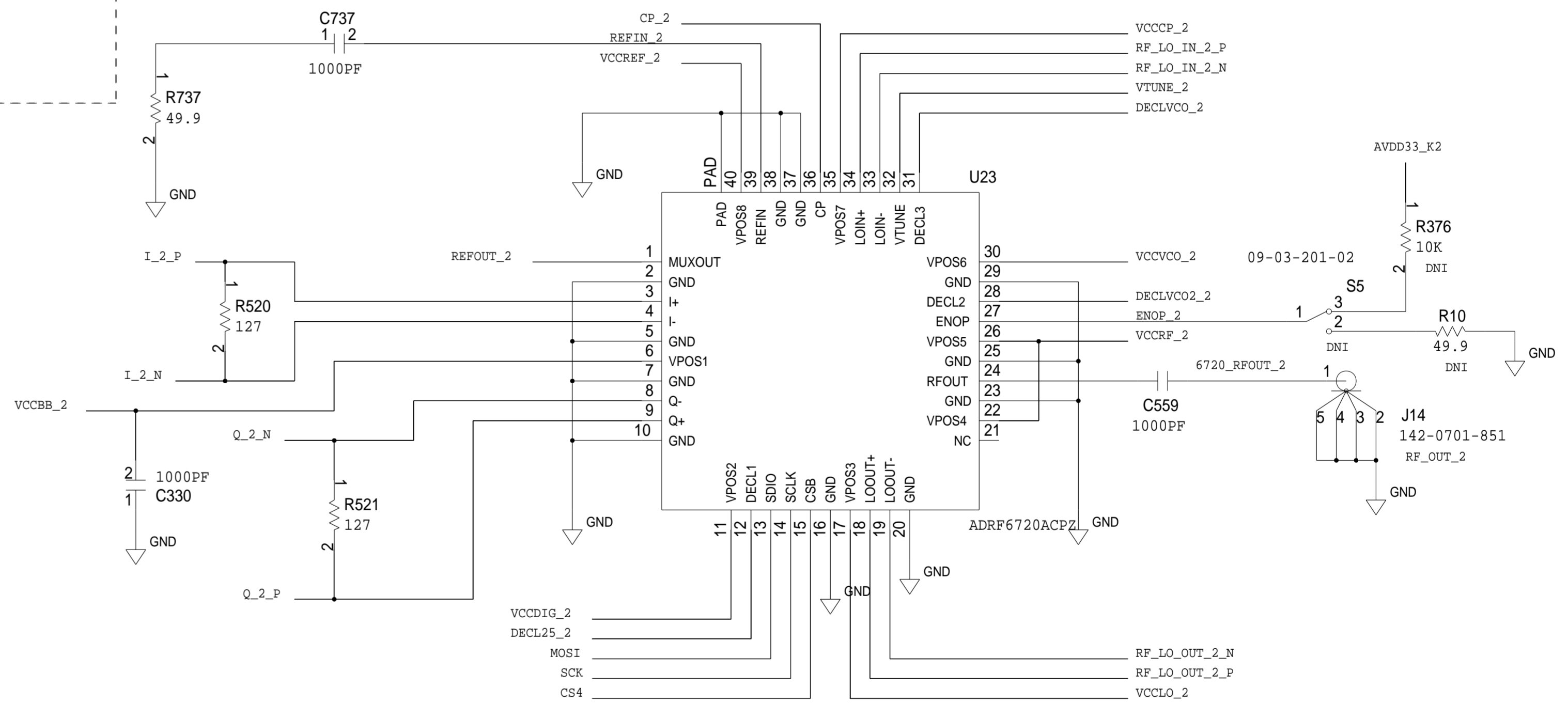
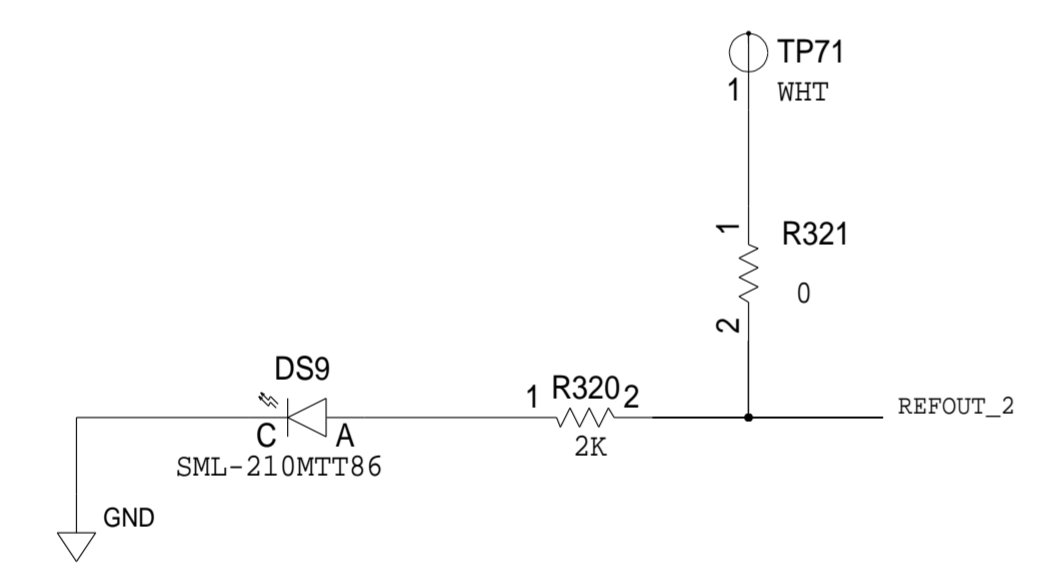
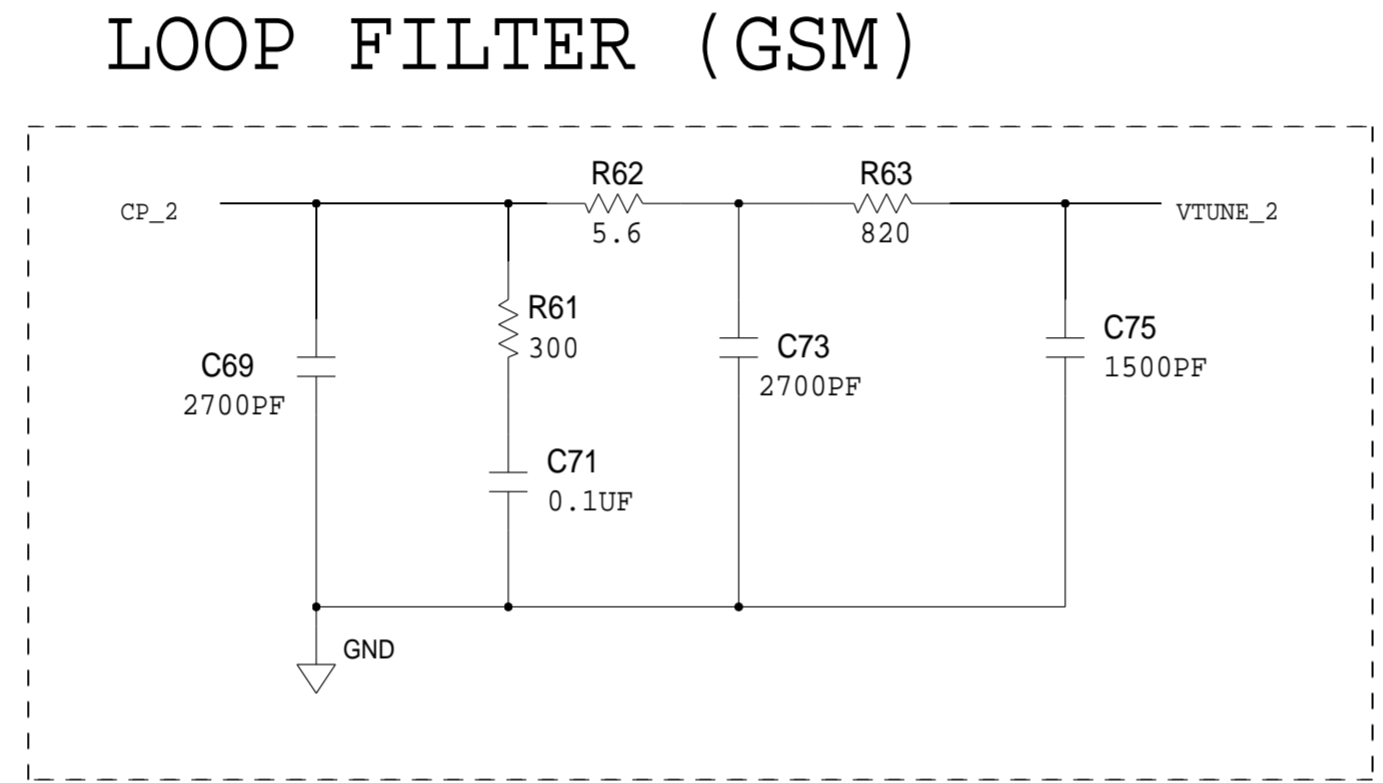
RF TEST POINT
THRU- INSTALL R23
TEST LO OUT 2- JUMP TP41 TO R23 PIN 1
TEST LO IN 2- JUMP TP41 TO R23 PIN 2

RF TEST POINT
THRU- INSTALL R24
TEST LO OUT 2- JUMP TP41 TO R24 PIN 1
TEST LO IN 2- JUMP TP42 TO R24 PIN 2

IQ MODULATOR SUPPORT CIRCUITY

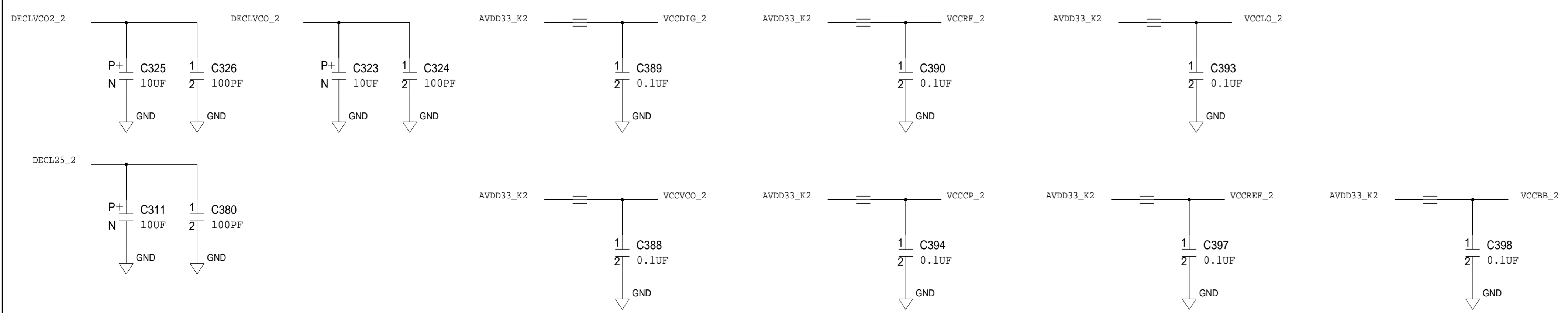


LOOP FILTER (GSM)



R20, R21 TO BE KEPT CLOSE TO MODULATOR INPUTS

DECL CAPS TO BE KEPT CLOSE TO MODULATOR INPUTS



	SCHEMATIC		
	AD9144 / ADRF6720		
	DESIGN VIEW <DESIGN_VIEW>	DRAWING NO. HSC 13016	REV C
	PTD ENGINEER <PTD_ENGINEER>	SIZE D	SCALE <SCALE>