

<p>THIS DRAWING IS THE PROPERTY OF ANALOG DEVICES INC. IT IS NOT TO BE REPRODUCED OR COPIED, IN WHOLE OR IN PART, OR USED IN FURNISHING INFORMATION TO OTHERS, OR FOR ANY OTHER PURPOSE DETRIMENTAL TO THE INTERESTS OF ANALOG DEVICES. THE EQUIPMENT SHOWN HEREON MAY BE PROTECTED BY PATENTS OWNED OR CONTROLLED BY ANALOG DEVICES.</p>				
RELAY CONTROL CHART				
CONTROL	CODE	DEVICE	FUNCTION	CONNECTOR


JUMPER TABLE		
JP#	ON	OFF
1		
2		
3		
4		
5		

\* SEE ASSEMBLY INSTRUCTIONS

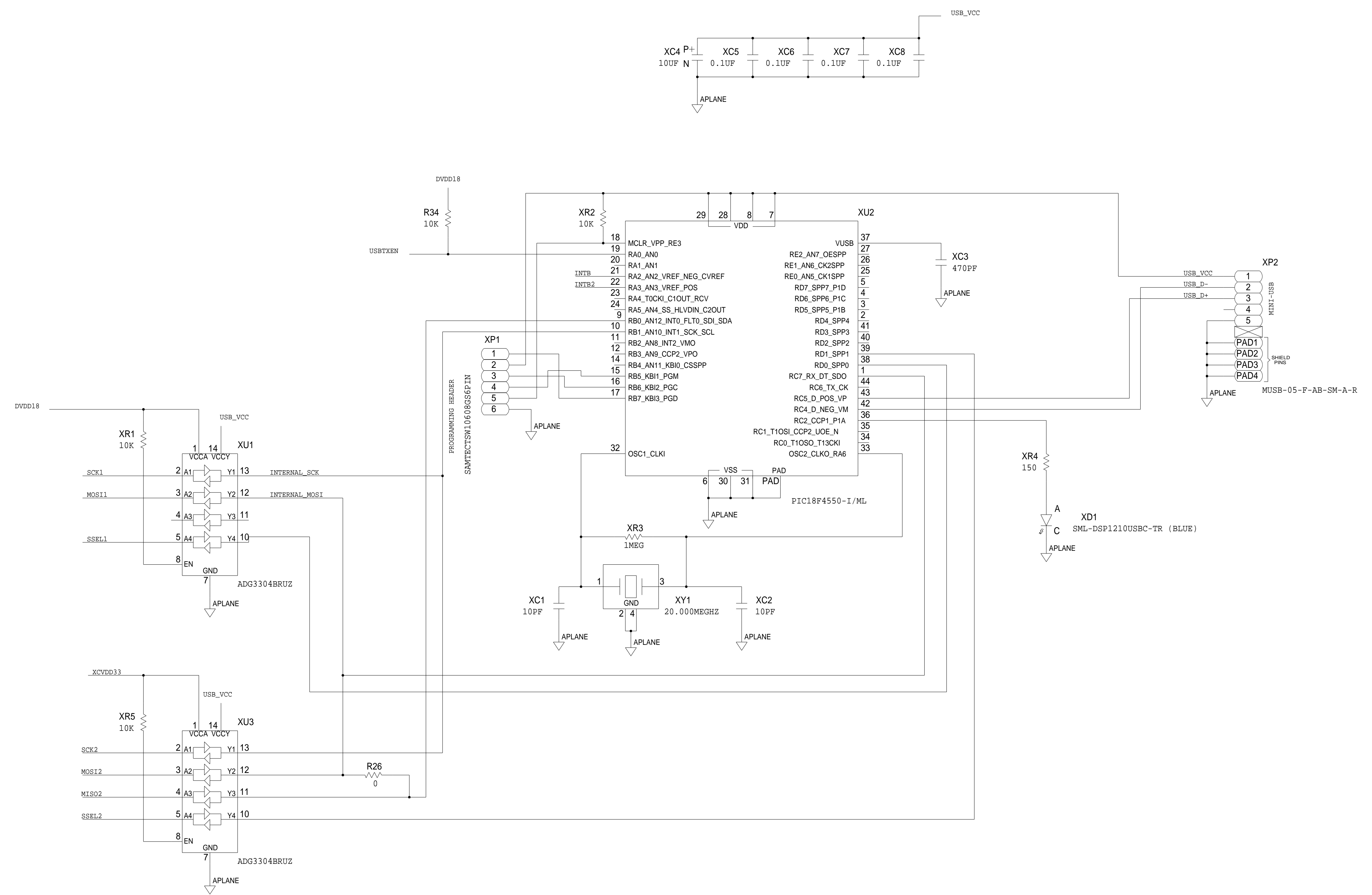
REVISIONS			
REV	DESCRIPTION	DATE	APPROVED
A		11-13	Y.Z.

JANUARY 22, 2014

P.O SPEC.	BK/BD SPEC.	SOCKET OEM	OEM PART#	HANDLER

TEMPLATE ENGINEER P ALONGI DATE 7-17-08	<h1>SCHEMATIC</h1> 	<h2>AD9142A-M5375-EBZ</h2>
HARDWARE SERVICES - HARDWARE SYSTEMS - TEST ENGINEER - COMPONENT ENGINEER - TEST PROCESS - HARDWARE RELEASE - DESIGNER P ALONGI		
MASTER PROJECT TEMPLATE - TESTER TEMPLATE - DRAWING NO. HSC 13046 REV. C	UNLESS OTHERWISE SPECIFIED DIMENSIONS ARE IN INCHES <b>TOLERANCES</b> DECIMALS X.XX +0.010 FRACTIONS +1/32 ANGLES +2 X.XXX +0.005	
PTD ENGINEER Patrick Xuan CHECKER -	SIZE <b>D</b> SCALE <SCALE> CODE ID NO. - SHEET 1 OF 7	SHEET 1 OF 7

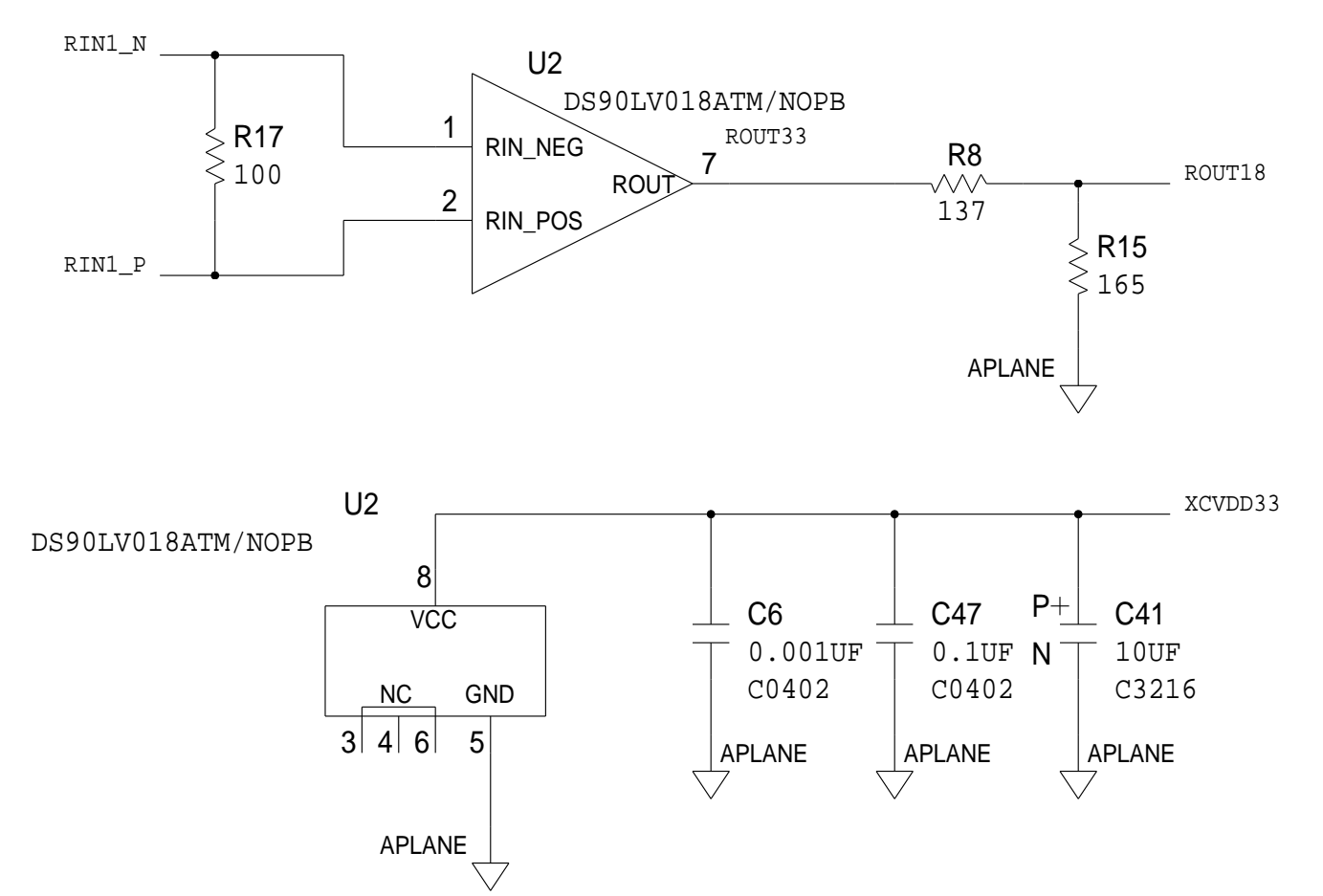
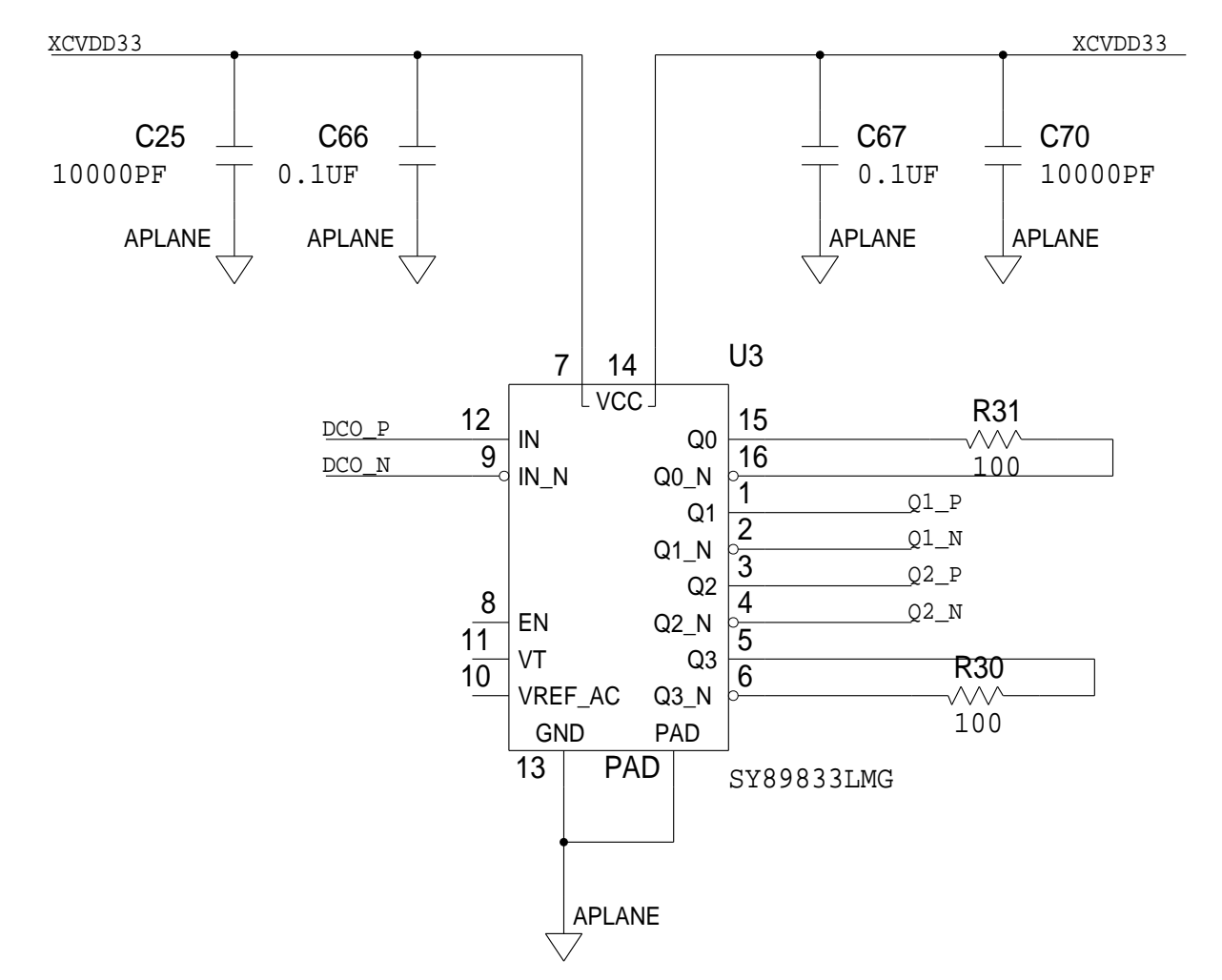
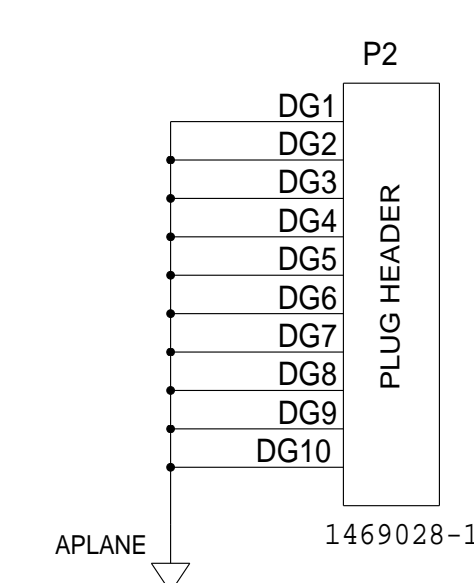
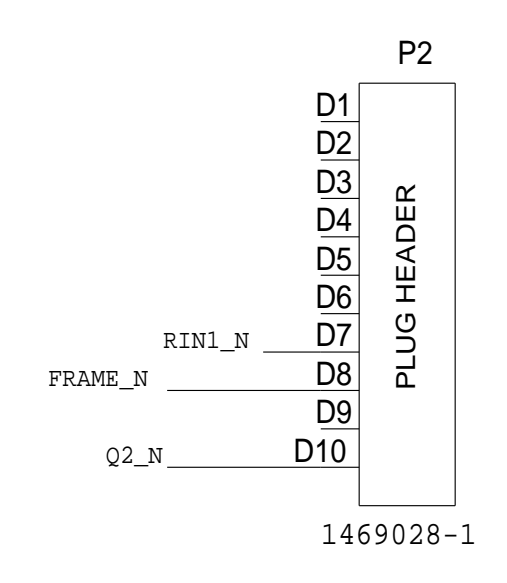
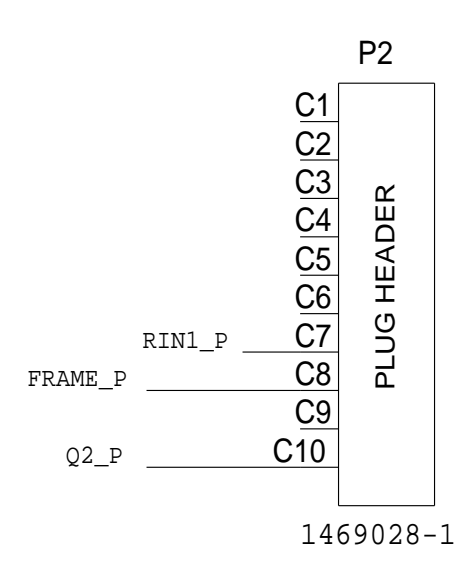
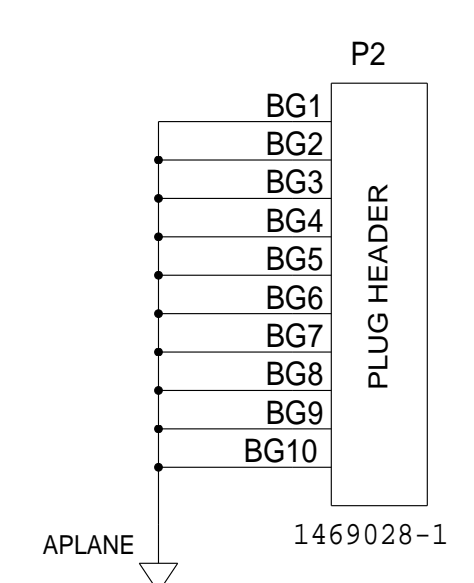
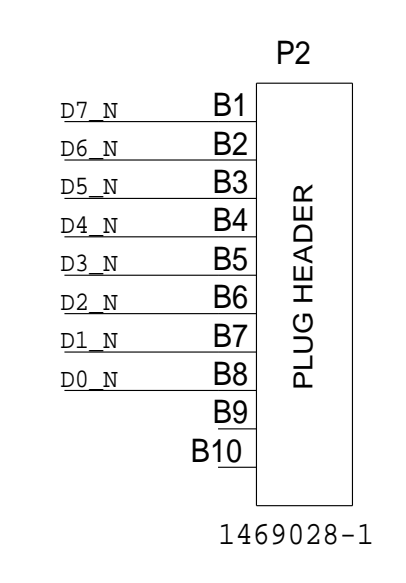
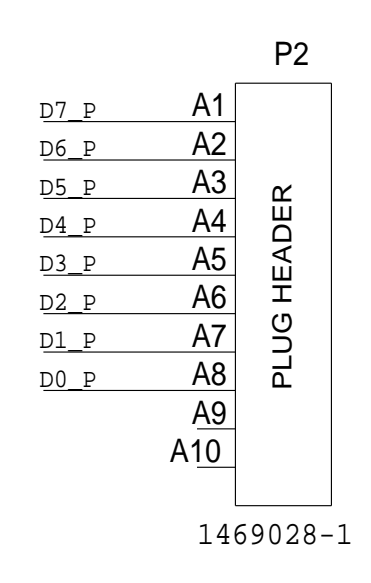
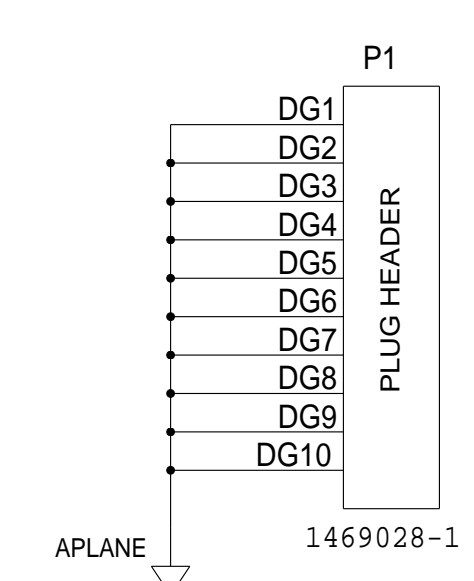
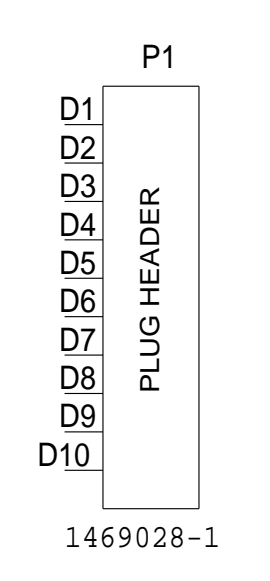
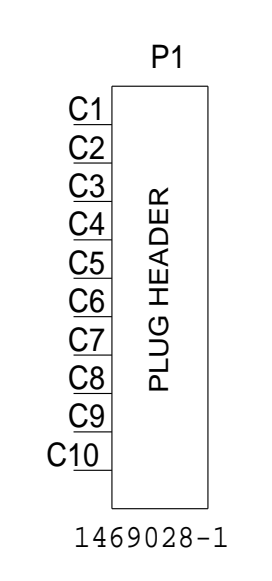
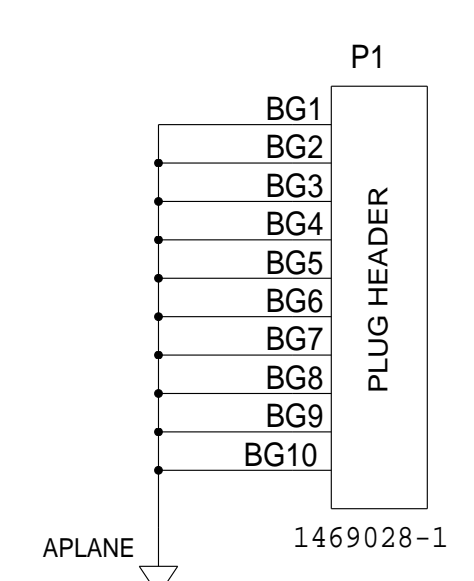
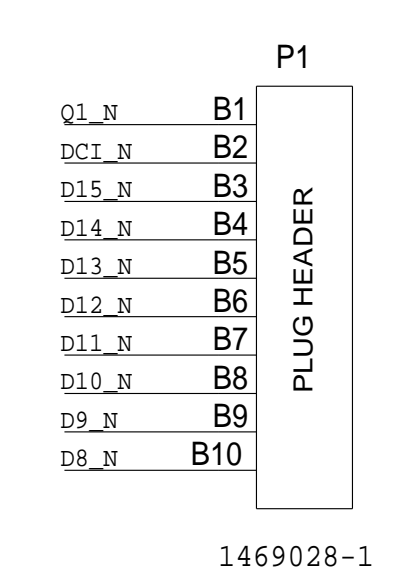
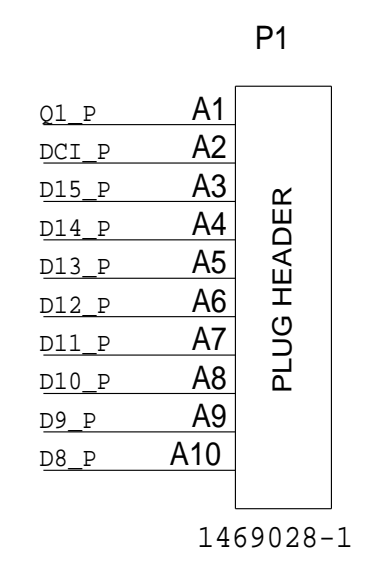
REVISIONS			
REV	DESCRIPTION	DATE	APPROVED



### 3-WIRE SPI VERSION

	SCHEMATIC		
	AD9142A-M5375-EBZ		
<small>THIS DRAWING IS THE PROPERTY OF ANALOG DEVICES INC. IT IS NOT TO BE REPRODUCED OR COPIED, IN WHOLE OR IN PART, OR USED IN ANY MANNER THAT IS DETAILED TO THE INTERESTS OF ANALOG DEVICES. THE EQUIPMENT SHOWN HEREIN MAY BE PROTECTED BY PATENTS OWNED OR CONTROLLED BY ANALOG DEVICES.</small>	DESIGN VIEW <DESIGN_VIEW>	DRAWING NO. HSC 13046	REV C
	PTD ENGINEER Patrick Xuan	SIZE D	SCALE <SCALE>
		SHEET 2 OF 7	

REVISIONS			
REV	DESCRIPTION	DATE	APPROVED

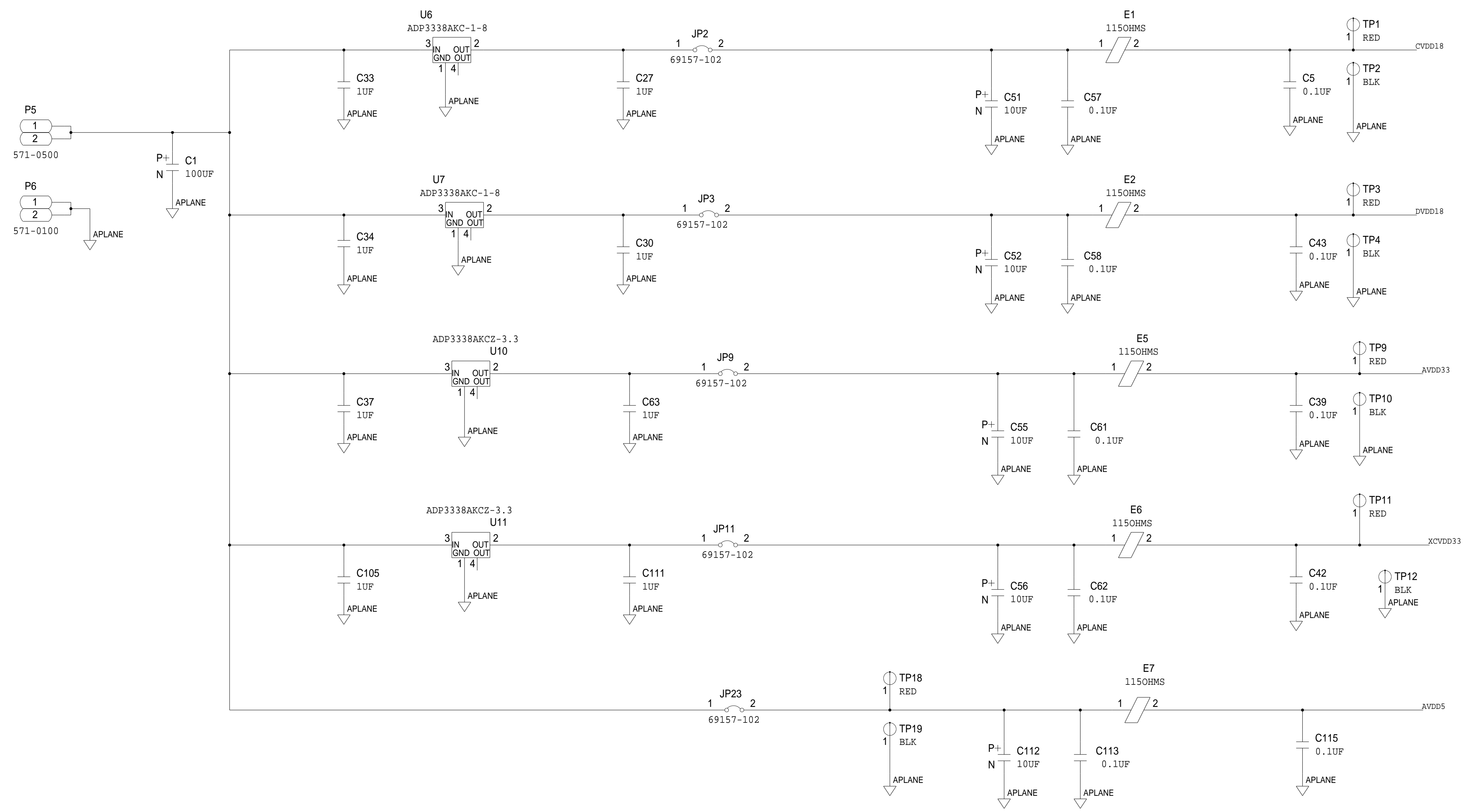


	<b>SCHEMATIC</b>		
	AD9142A-M5375-EBZ		
	DESIGN VIEW <DESIGN_VIEW>	DRAWING NO. HSC 13046	REV C
	PTD ENGINEER Patrick Xuan	SIZE D	SCALE <SCALE>

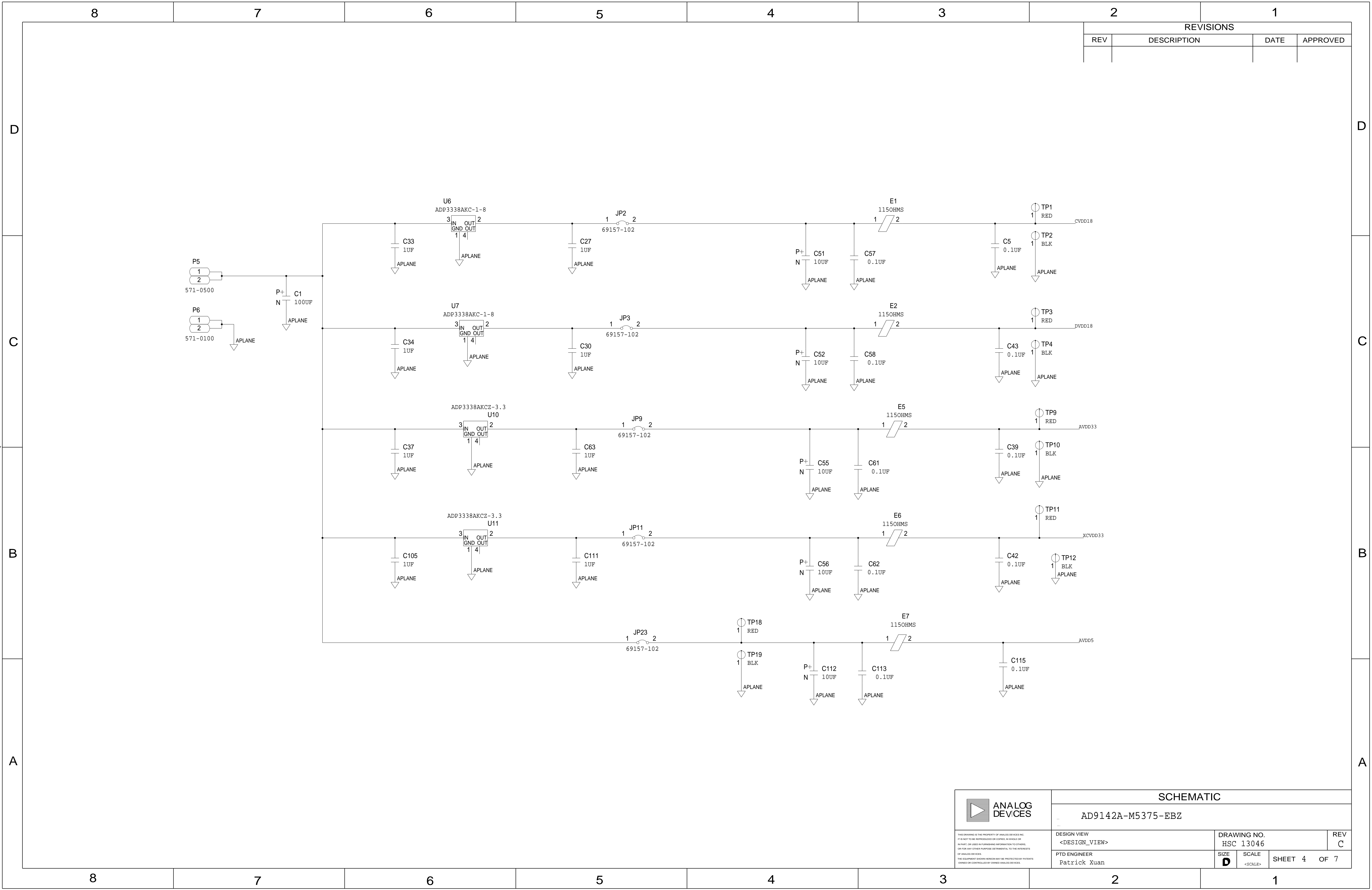
THIS DRAWING IS THE PROPERTY OF ANALOG DEVICES INC. IT IS NOT TO BE REPRODUCED OR COPIED, IN WHOLE OR IN PART, OR USED IN FURNISHING INFORMATION TO OTHERS, OR FOR ANY OTHER PURPOSE DETRIMENTAL TO THE INTERESTS OF ANALOG DEVICES. THE EQUIPMENT SHOWN HEREON MAY BE PROTECTED BY PATENTS OWNED OR CONTROLLED BY ANALOG DEVICES.

SHEET 3 OF 7

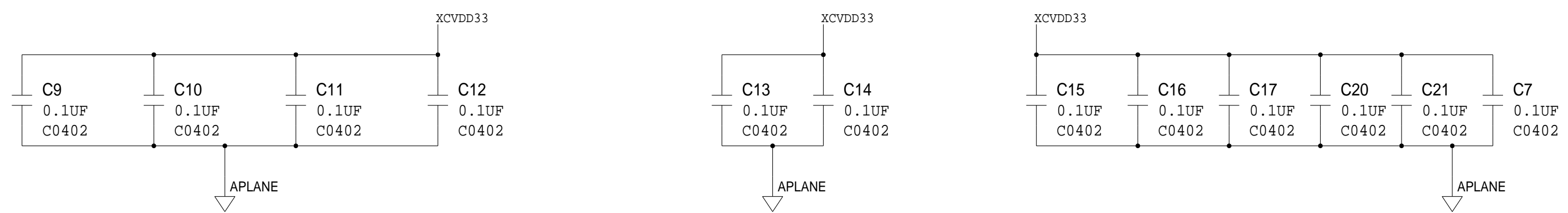
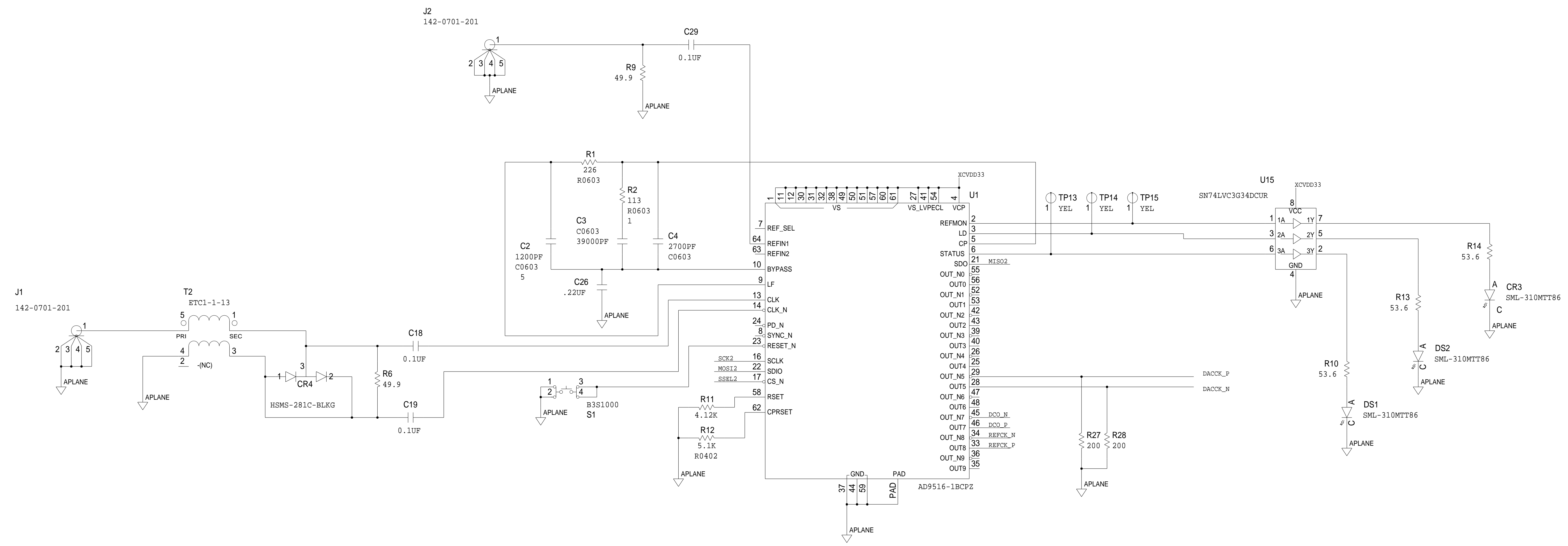
REVISIONS			
REV	DESCRIPTION	DATE	APPROVED



	<b>SCHEMATIC</b>		
	AD9142A-M5375-EBZ		
	DESIGN VIEW <DESIGN_VIEW>	DRAWING NO. HSC 13046	REV C
PTD ENGINEER Patrick Xuan	SIZE D	SCALE <SCALE>	SHEET 4 OF 7



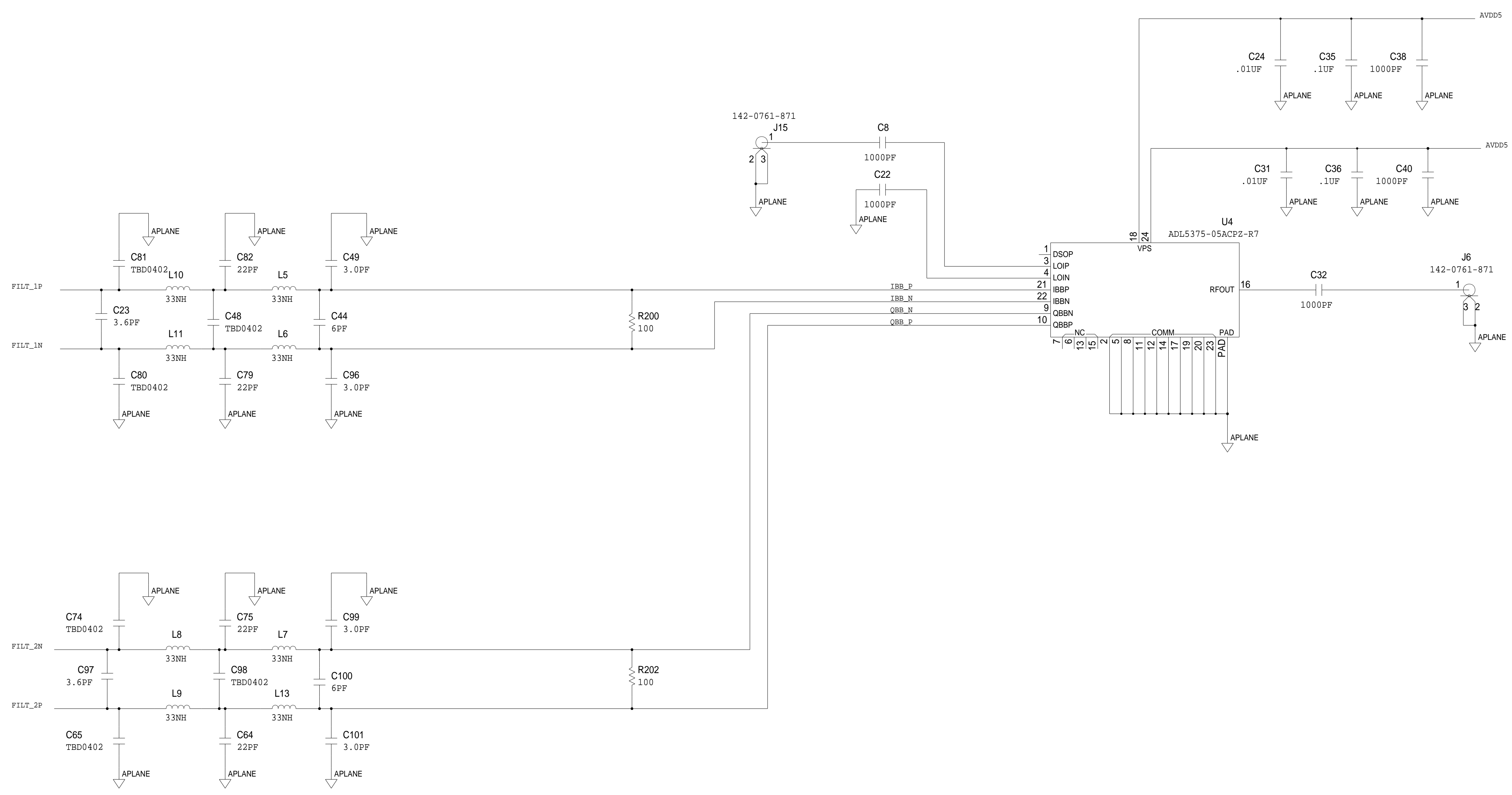
REVISIONS			
REV	DESCRIPTION	DATE	APPROVED



	<b>SCHEMATIC</b>		
	AD9142A-M5375-EBZ		
	DESIGN VIEW <DESIGN_VIEW>	DRAWING NO. HSC 13046	REV C
	PTD ENGINEER Patrick Xuan	SIZE D	SCALE <SCALE>

THIS DRAWING IS THE PROPERTY OF ANALOG DEVICES INC. IT IS NOT TO BE REPRODUCED OR COPIED, IN WHOLE OR IN PART, OR USED IN ANY MANNER WITHOUT THE WRITTEN PERMISSION OF ANALOG DEVICES. THE EQUIPMENT SHOWN HEREIN MAY BE PROTECTED BY PATENTS OWNED OR CONTROLLED BY ANALOG DEVICES.

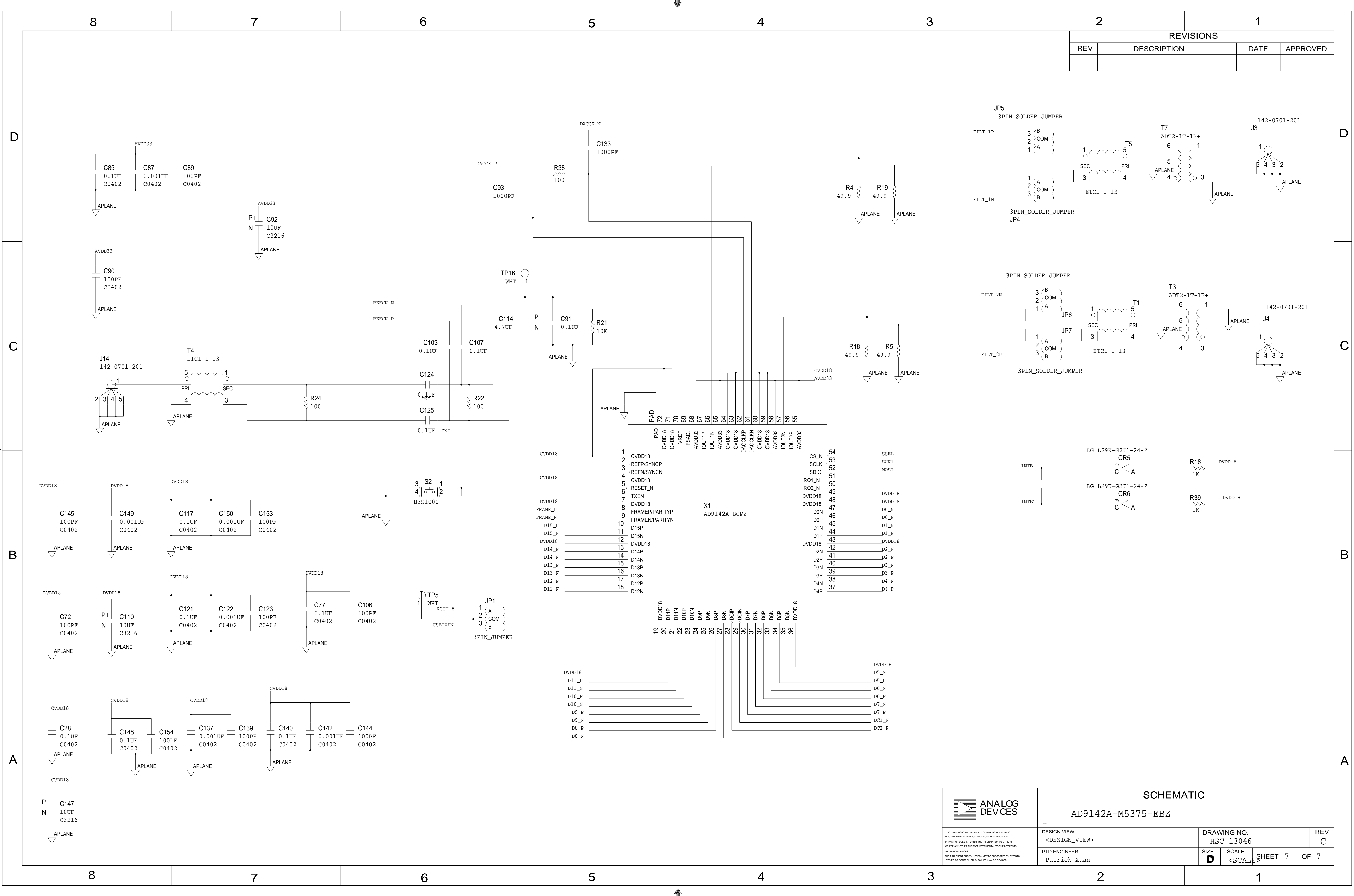
REVISIONS			
REV	DESCRIPTION	DATE	APPROVED



<p>THIS DRAWING IS THE PROPERTY OF ANALOG DEVICES INC. IT IS NOT TO BE REPRODUCED OR COPIED, IN WHOLE OR IN PART, OR USED IN FURNISHING INFORMATION TO OTHERS, OR FOR ANY OTHER PURPOSE DETRIMENTAL TO THE INTERESTS OF ANALOG DEVICES. THE EQUIPMENT SHOWN HEREIN MAY BE PROTECTED BY PATENTS OWNED OR CONTROLLED BY ANALOG DEVICES.</p>	<b>SCHEMATIC</b>		
	AD9142A-M5375-EBZ		
	DESIGN VIEW <DESIGN_VIEW>	DRAWING NO. HSC 13046	REV C
	PTD ENGINEER Patrick Xuan	SIZE D	SCALE <SCALE>

SHEET 6 OF 7

REVISIONS			
REV	DESCRIPTION	DATE	APPROVED



SCHEMATIC			
AD9142A-M5375-EBZ			
DESIGN VIEW <DESIGN_VIEW>	DRAWING NO. HSC 13046	REV C	
PTD ENGINEER Patrick Xuan	SIZE D	SCALE <SCALE>	SHEET 7 OF 7

ANALOG DEVICES

THIS DRAWING IS THE PROPERTY OF ANALOG DEVICES INC. IT IS NOT TO BE REPRODUCED OR COPIED, IN WHOLE OR IN PART, OR USED IN FURNISHING INFORMATION TO OTHERS, OR FOR ANY OTHER PURPOSE DETRIMENTAL TO THE INTERESTS OF ANALOG DEVICES. THE EQUIPMENT SHOWN HEREIN MAY BE PROTECTED BY PATENTS OWNED OR CONTROLLED BY ANALOG DEVICES.